



US00D761179S

(12) **United States Design Patent**
Chung

(10) **Patent No.:** **US D761,179 S**
(45) **Date of Patent:** **** Jul. 12, 2016**

(54) **AUTOMOTIVE WHEEL**

(71) Applicant: **Suny Chung**, Anaheim, CA (US)

(72) Inventor: **Suny Chung**, Anaheim, CA (US)

(**) Term: **15 Years**

(21) Appl. No.: **29/541,152**

(22) Filed: **Sep. 30, 2015**

(51) **LOC (10) Cl.** **12-16**

(52) **U.S. Cl.**
USPC **D12/209**

(58) **Field of Classification Search**
USPC D12/204–213
CPC B60B 7/00; B60B 7/02; B60B 7/04;
B60B 7/01; B60B 7/06; B60B 3/02; B60B
3/04; B60B 3/06; B60B 3/10; B60B 1/00;
B60B 1/08; B60B 1/10; B60B 1/12
See application file for complete search history.

(56) **References Cited**

U.S. PATENT DOCUMENTS

D432,071 S	*	10/2000	Brown	D12/211
D442,531 S	*	5/2001	Brintouch	D12/204
D442,903 S	*	5/2001	Brintouch	D12/204
D454,826 S	*	3/2002	Kaucher	D12/211

D495,287 S	*	8/2004	Wang	D12/209
D499,686 S	*	12/2004	Song	D12/211
D531,949 S	*	11/2006	Arora	D12/209
D569,323 S	*	5/2008	Laengerer	D12/211
D671,481 S	*	11/2012	Amezqueta	D12/211
D684,517 S	*	6/2013	Scheinutte	D12/211
D692,364 S	*	10/2013	Barnes	D12/209
D697,011 S	*	1/2014	Kang	D12/209
D720,677 S	*	1/2015	Diephuis	D12/209
D721,316 S	*	1/2015	Amezqueta	D12/209
D723,990 S	*	3/2015	Muntada Roura	D12/209
D729,139 S	*	5/2015	Mielke	D12/211
D732,450 S	*	6/2015	Guille	D12/209
D740,193 S	*	10/2015	Battams	D12/209
D740,194 S	*	10/2015	Valencia Pollex	D12/209

* cited by examiner

Primary Examiner — Stacia Cadmus

(57) **CLAIM**

The ornamental design for an automotive wheel, as shown and described.

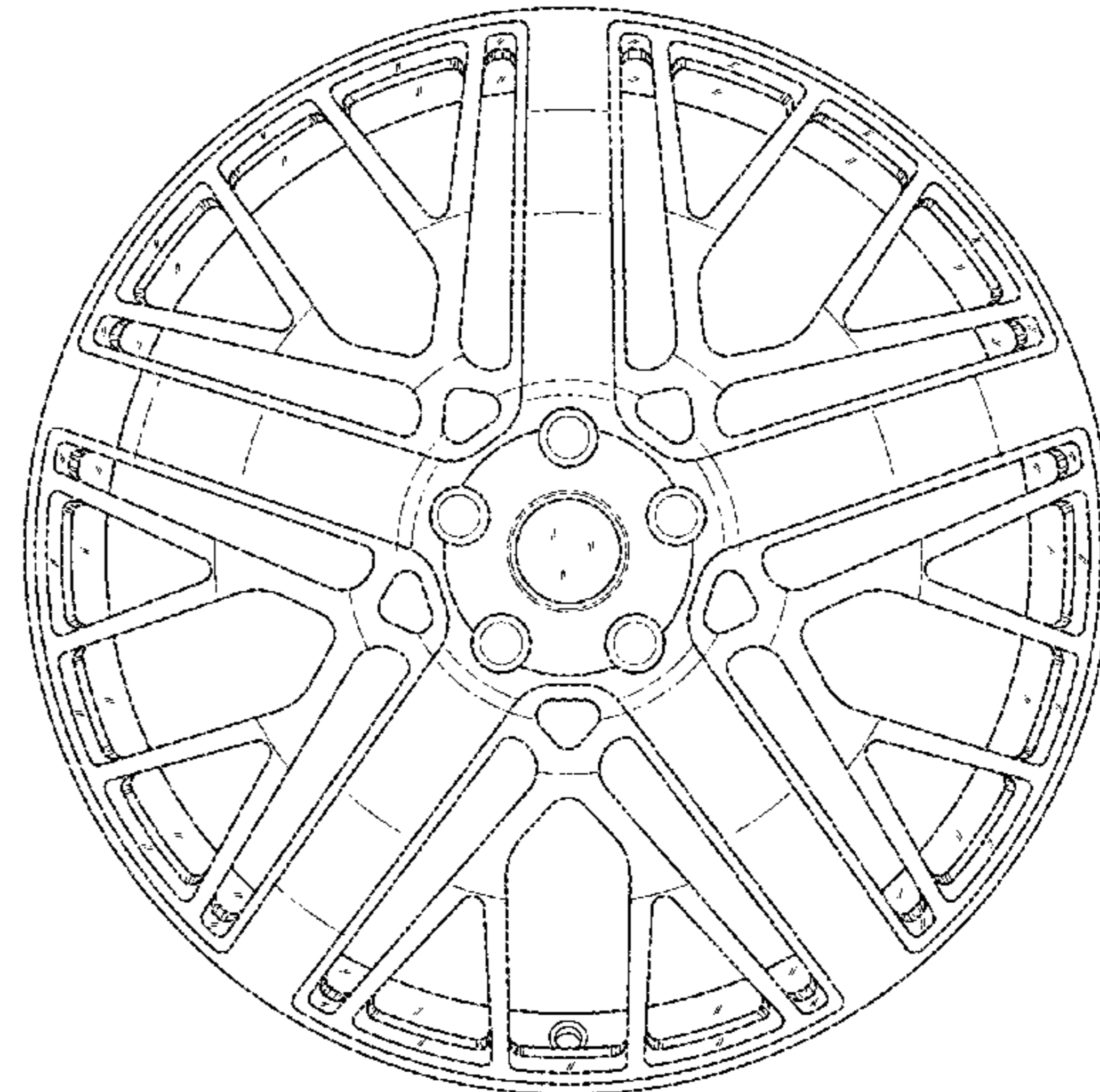
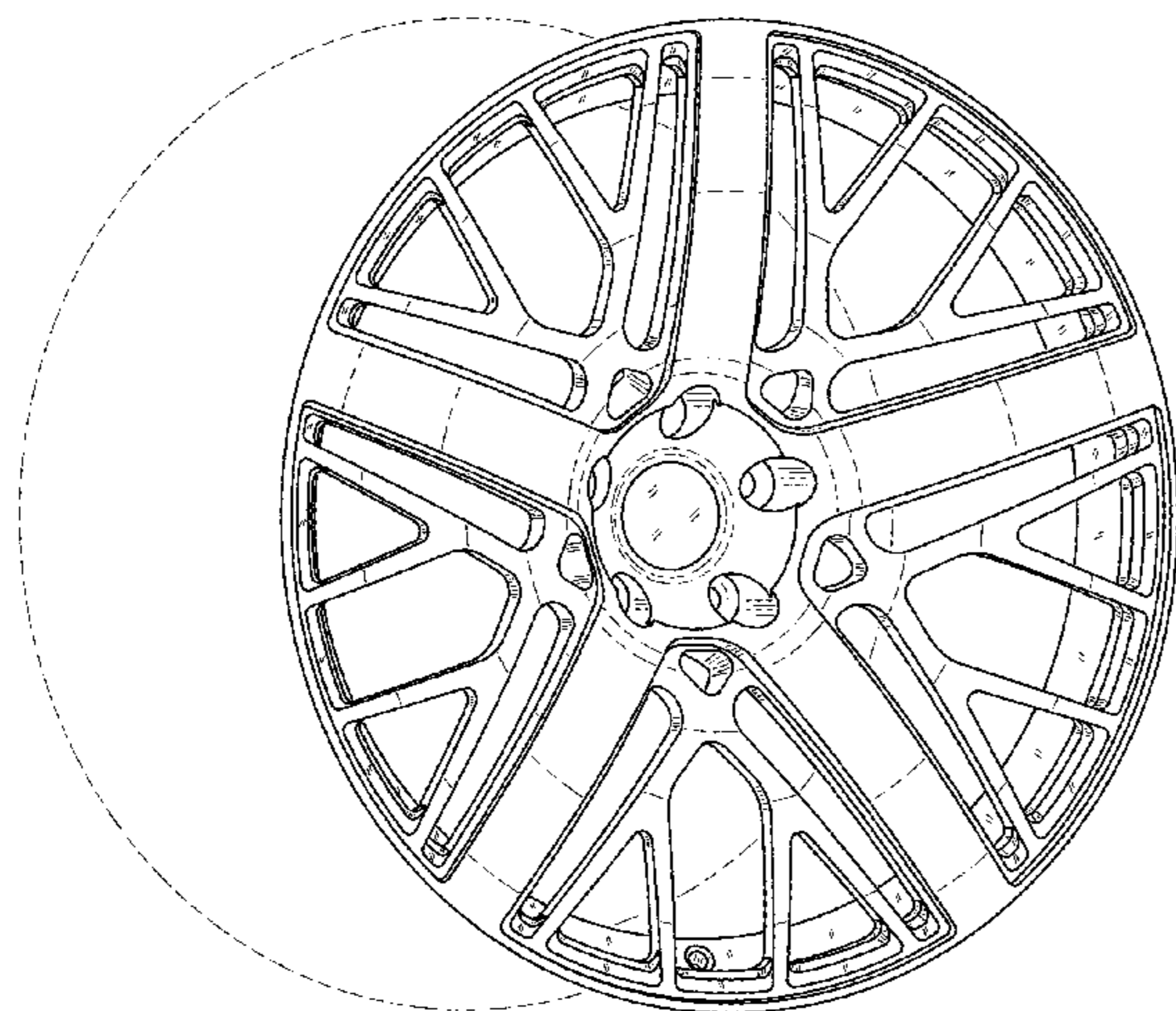
DESCRIPTION

FIG. 1 is a perspective view of an automotive wheel, showing my new design; and,

FIG. 2 is a front view thereof.

The broken line showing of the rear portion of the wheel is included for the purpose of illustrating environment and forms no part of the claimed design.

1 Claim, 2 Drawing Sheets



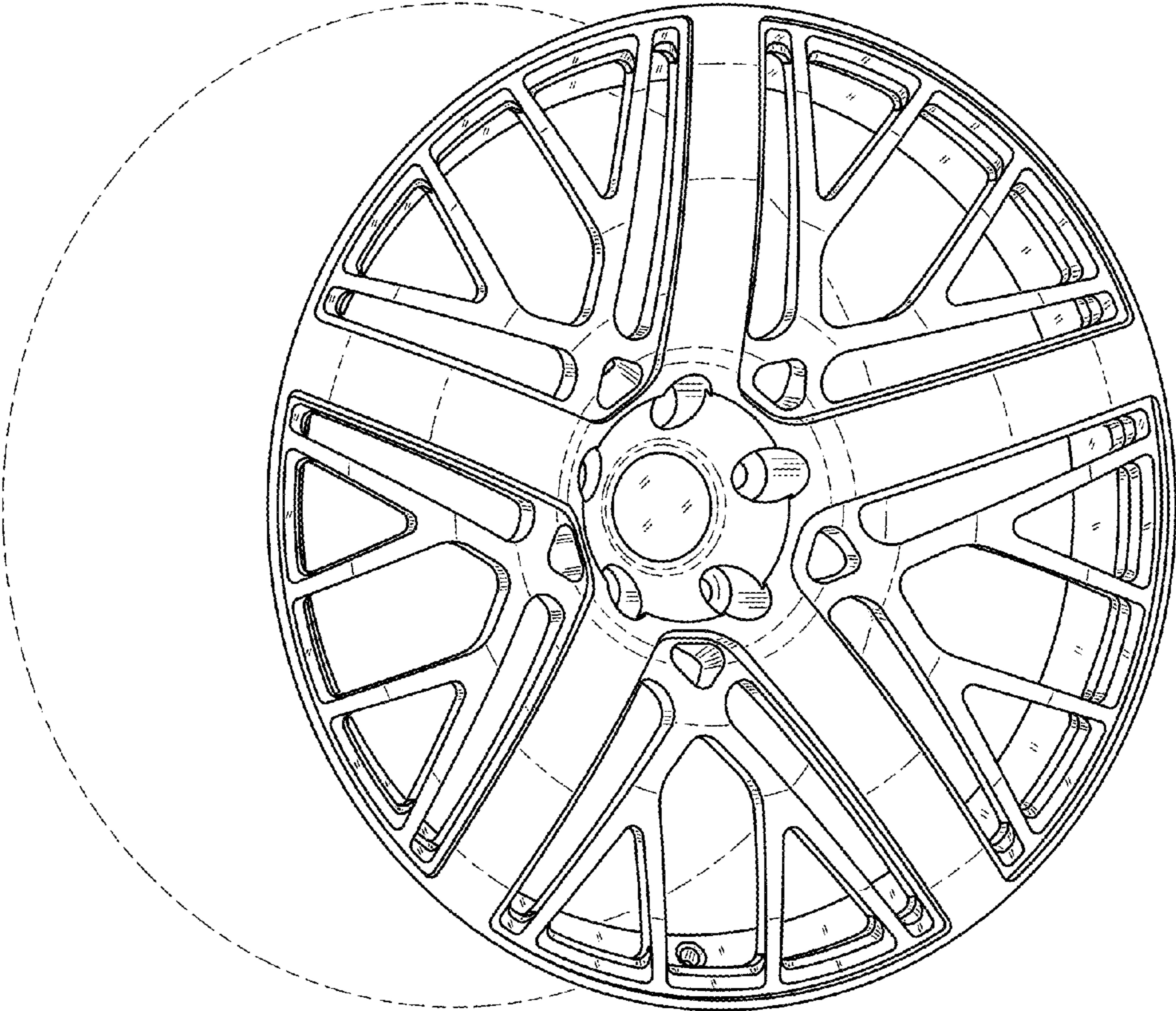


FIGURE 1

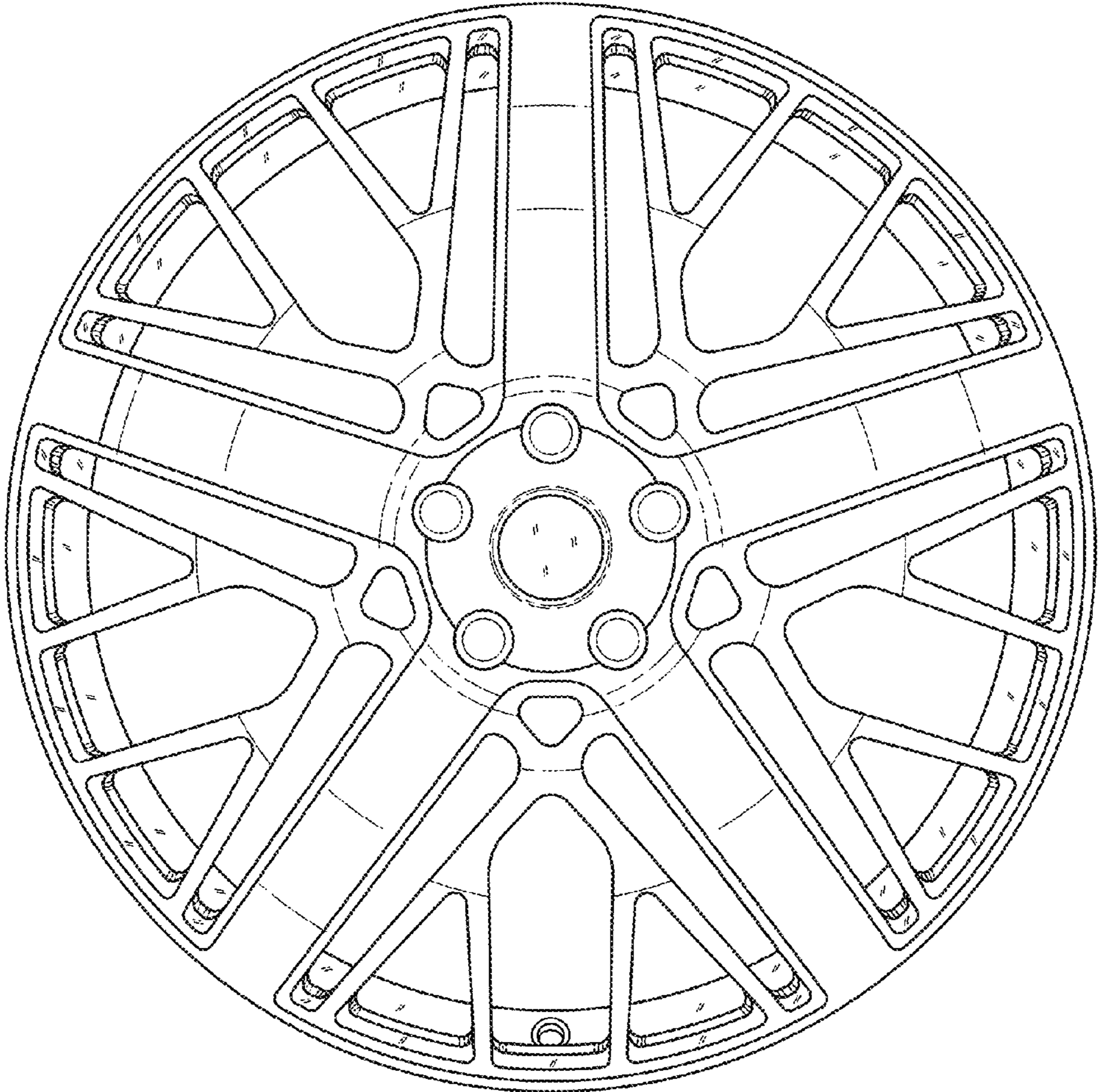


FIGURE 2