



US00D761178S

(12) **United States Design Patent**  
**Johnson**

(10) **Patent No.:** **US D761,178 S**  
(45) **Date of Patent:** **\*\* Jul. 12, 2016**

(54) **AUTOMOTIVE WHEEL**

(71) Applicant: **Kelly R. Johnson**, City of Industry, CA (US)

(72) Inventor: **Kelly R. Johnson**, City of Industry, CA (US)

(73) Assignee: **THE WHEEL GROUP**, City of Industry, CA (US)

(\*\*) Term: **15 Years**

(21) Appl. No.: **29/530,954**

(22) Filed: **Jun. 22, 2015**

(51) **LOC (10) Cl.** ..... **12-16**

(52) **U.S. Cl.**  
USPC ..... **D12/209**

(58) **Field of Classification Search**  
USPC ..... D12/204–213  
CPC ..... B60B 7/00; B60B 7/02; B60B 7/04;  
B60B 7/01; B60B 7/06; B60B 3/02; B60B 3/04;  
B60B 3/06; B60B 3/10; B60B 1/00; B60B 1/08;  
B60B 1/10; B60B 1/12  
See application file for complete search history.

(56) **References Cited**

**U.S. PATENT DOCUMENTS**

D403,289 S \* 12/1998 Watanabe ..... D12/209  
D419,946 S \* 2/2000 Goplen ..... D12/211  
D451,461 S \* 12/2001 Arellano ..... D12/209

D460,395 S \* 7/2002 Kuribayashi ..... D12/209  
D484,085 S \* 12/2003 Tirado ..... D12/211  
D491,510 S \* 6/2004 Koizumi ..... D12/209  
D517,969 S \* 3/2006 Brouillette ..... D12/209  
D519,904 S \* 5/2006 Burns ..... D12/209  
D532,736 S \* 11/2006 Ettensberger ..... D12/209  
D612,790 S \* 3/2010 Tant ..... D12/211  
D614,110 S \* 4/2010 Tant ..... D12/211  
D626,487 S \* 11/2010 Leng ..... D12/209  
D644,587 S \* 9/2011 Gotschke ..... D12/209  
D681,533 S \* 5/2013 Campbell ..... D12/209  
D683,684 S \* 6/2013 Campbell ..... D12/209  
D688,184 S \* 8/2013 Campbell ..... D12/204  
D706,198 S \* 6/2014 Chung ..... D12/211  
D708,112 S \* 7/2014 Mays ..... D12/211  
D714,706 S \* 10/2014 Chung ..... D12/211  
D732,449 S \* 6/2015 Grake ..... D12/209  
D744,932 S \* 12/2015 Kobayashi ..... D12/211

\* cited by examiner

*Primary Examiner* — Stacia Cadmus

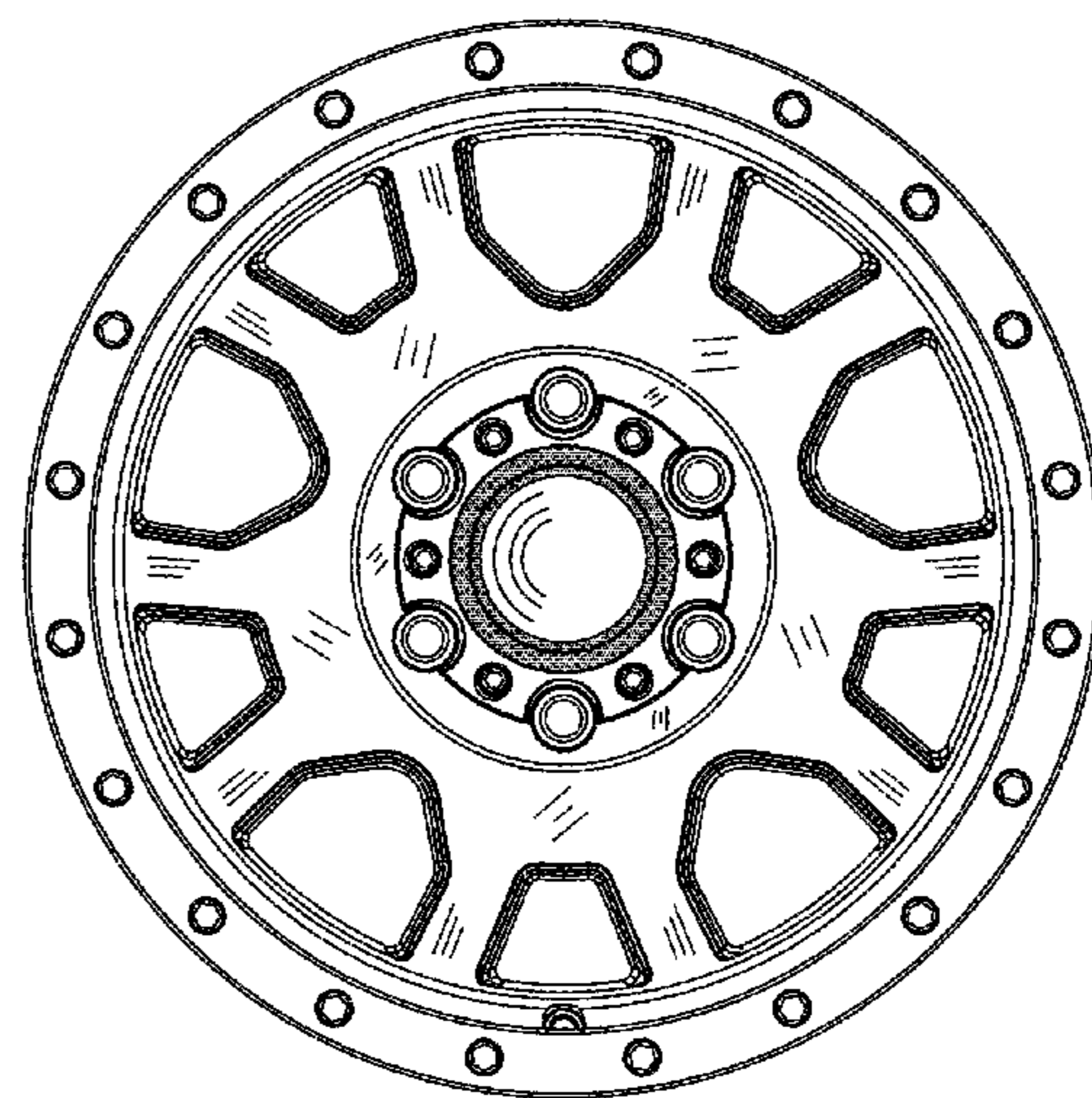
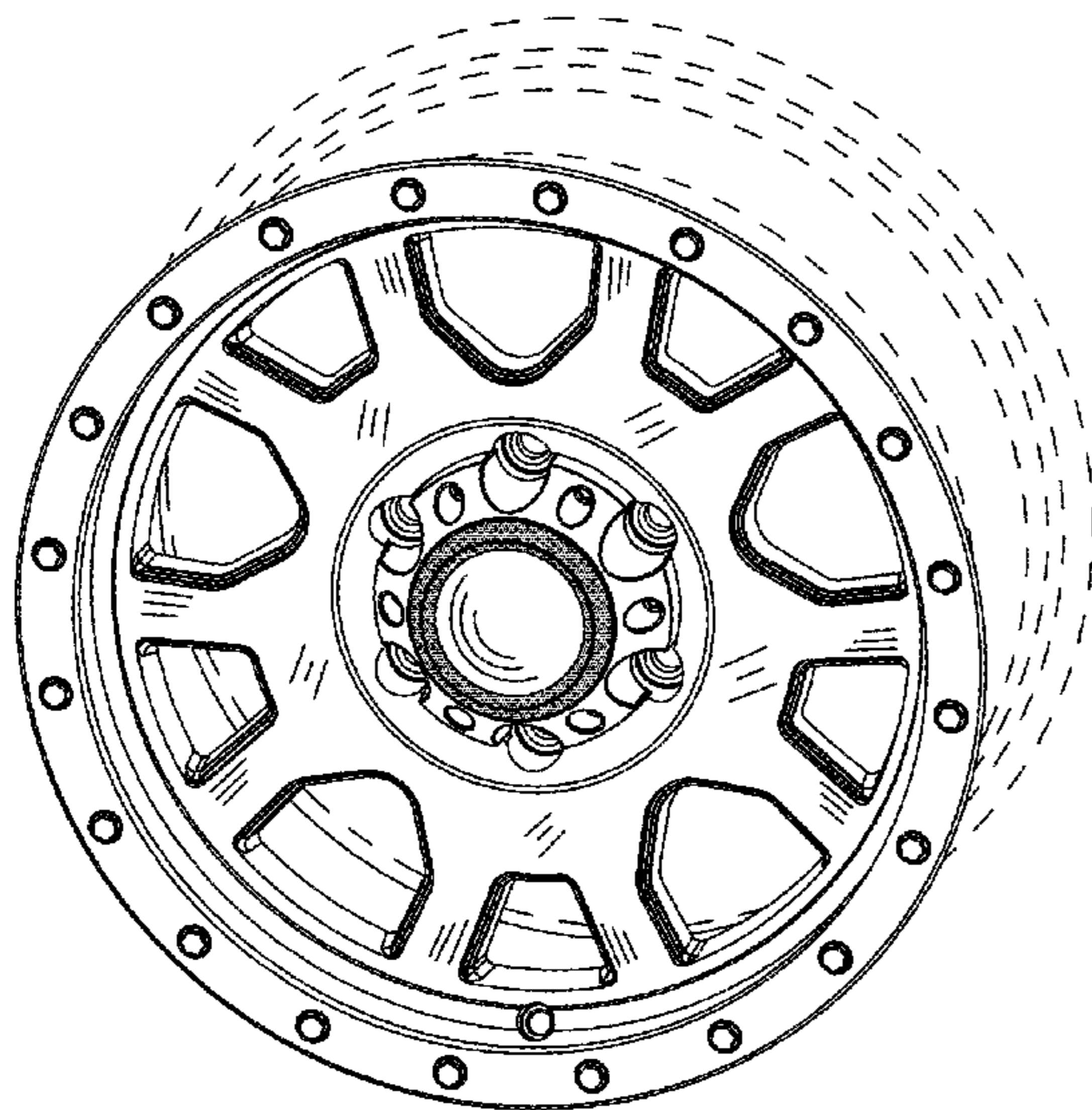
(57) **CLAIM**

The ornamental design for an automotive wheel, as show and described.

**DESCRIPTION**

FIG. 1 is a perspective view of an automotive wheel showing my new design; and, FIG. 2 is a front elevational view thereof. The broken line showing of the rear portion of the rim is included for the purpose of illustrating environment and forms no part of the claimed design.

**1 Claim, 2 Drawing Sheets**



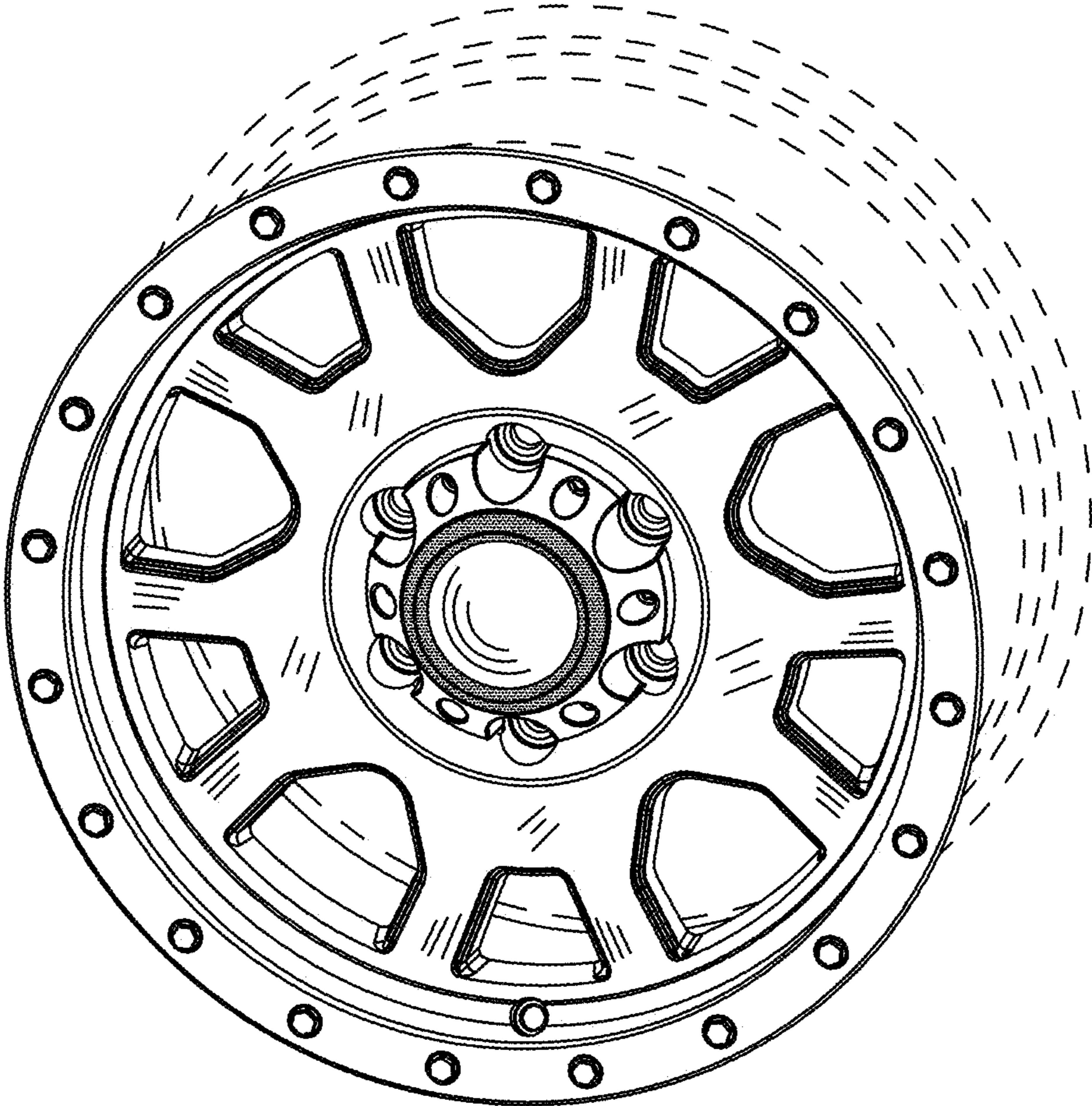


FIG.1

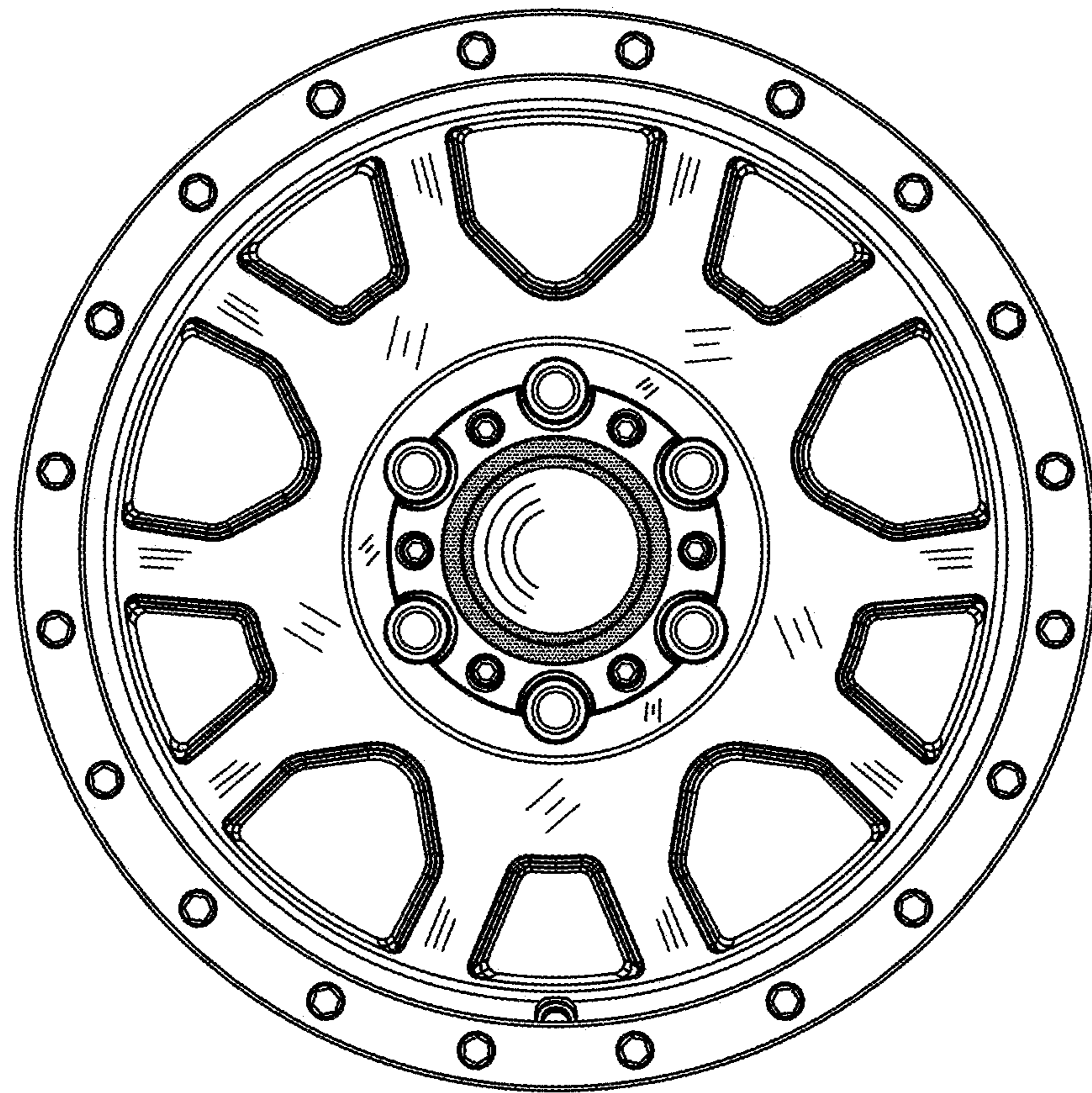


FIG.2