

US00D761177S

(12) **United States Design Patent**
Behmer et al.

(10) **Patent No.:** **US D761,177 S**
(45) **Date of Patent:** **** Jul. 12, 2016**

(54) **VEHICLE LIFTGATE**

(71) Applicant: **Ford Motor Company**, Dearborn, MI (US)

(72) Inventors: **Darrell Behmer**, Novi, MI (US); **Henry Bernardo**, Southfield, MI (US); **Damon Depeyster**, Northville, MI (US)

(73) Assignee: **Ford Motor Company**, Dearborn, MI (US)

(**) Term: **14 Years**

(21) Appl. No.: **29/508,870**

(22) Filed: **Nov. 12, 2014**

(51) **LOC (10) Cl.** **12-16**

(52) **U.S. Cl.**
USPC **D12/196**

(58) **Field of Classification Search**
USPC D12/196, 90-92, 86; 296/181.1, 181.5, 296/146.12, 146.7

CPC B62D 35/001; B62D 31/003; B62D 24/02; B62D 25/08; B62D 33/00; B62D 25/06; B60J 5/0416; B60J 1/1884

See application file for complete search history.

(56) **References Cited**

U.S. PATENT DOCUMENTS

D699,656 S * 2/2014 Watabe D12/196
D706,191 S * 6/2014 Choi D12/196
D718,695 S * 12/2014 Galante D12/196

D725,566 S * 3/2015 Rupar D12/196
D726,615 S * 4/2015 Wolff D12/196
D736,128 S * 8/2015 Blanski D12/196
D738,802 S * 9/2015 Mueller-Stolz D12/196

OTHER PUBLICATIONS

Jason Udy. Spied: Refreshed 2016 Ford Explorer Loses Some Camo. Oct. 11, 2014 [online], [retrieved on Nov. 3, 2014] Retrieved from the Internet <URL: http://wot.motortrend.com/1410_spied_refreshed_2016_ford_explorer_loses_some_camo.html>.

2016 Ford Explorer SUV Review. [retrieved on Nov. 3, 2014] Retrieved from the Internet <URL: <http://www.edmunds.com/ford/explorer/2016/>>.

* cited by examiner

Primary Examiner — Melody Brown

(74) *Attorney, Agent, or Firm* — Damian Porcari

(57) **CLAIM**

The ornamental design for a vehicle liftgate, as shown and described.

DESCRIPTION

FIG. 1 is a top left perspective view of a vehicle liftgate; FIG. 2 is a top right perspective view thereof; FIG. 3 is a top rear perspective view thereof; FIG. 4 is a front elevational view thereof; FIG. 5 is a rear elevational view thereof; FIG. 6 is a left side elevational view thereof; FIG. 7 is a right side elevational view thereof; FIG. 8 is a top plan view thereof; and, FIG. 9 is a bottom plan view thereof.

1 Claim, 9 Drawing Sheets

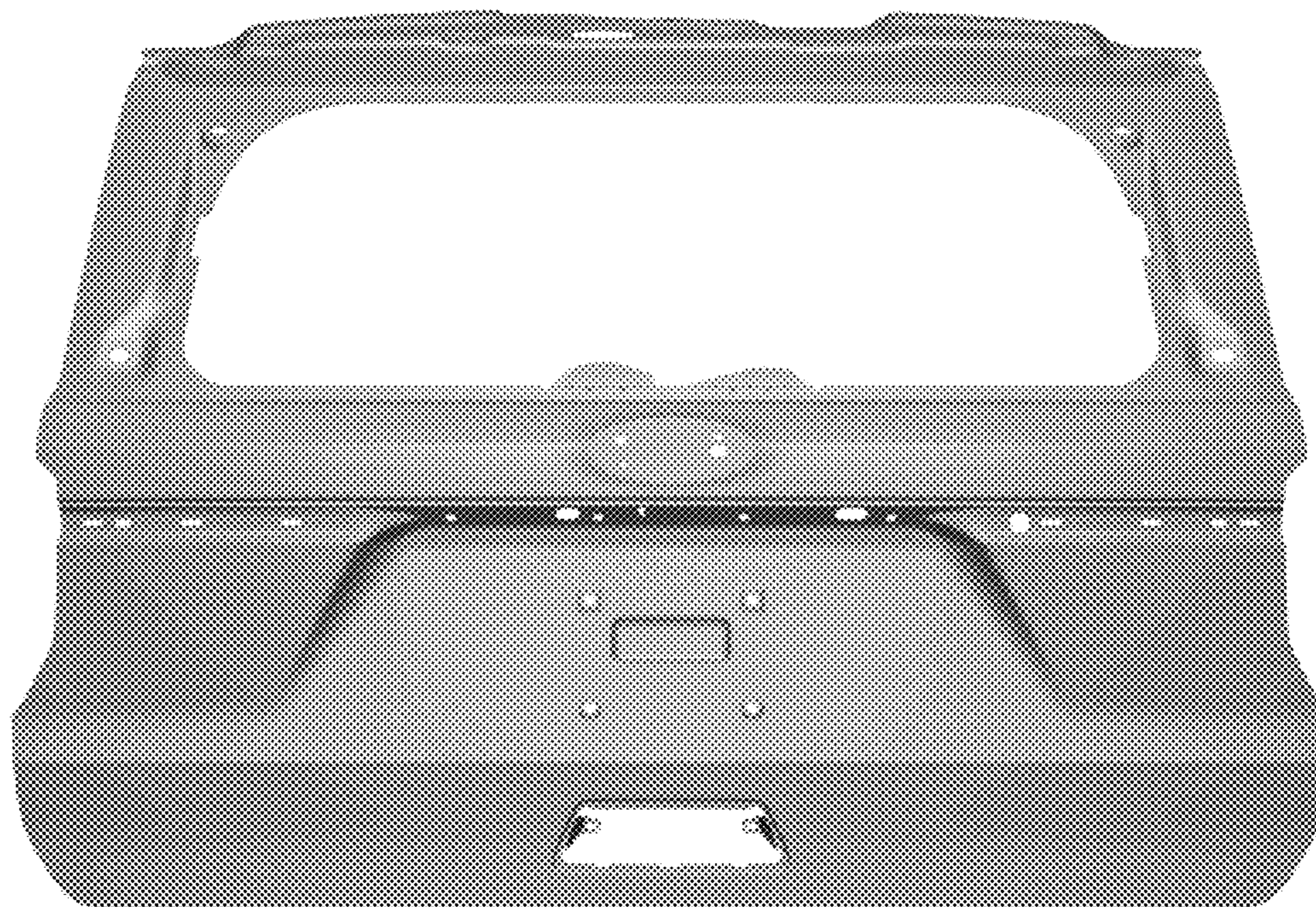




Figure 1



Figure 2

Figure 3

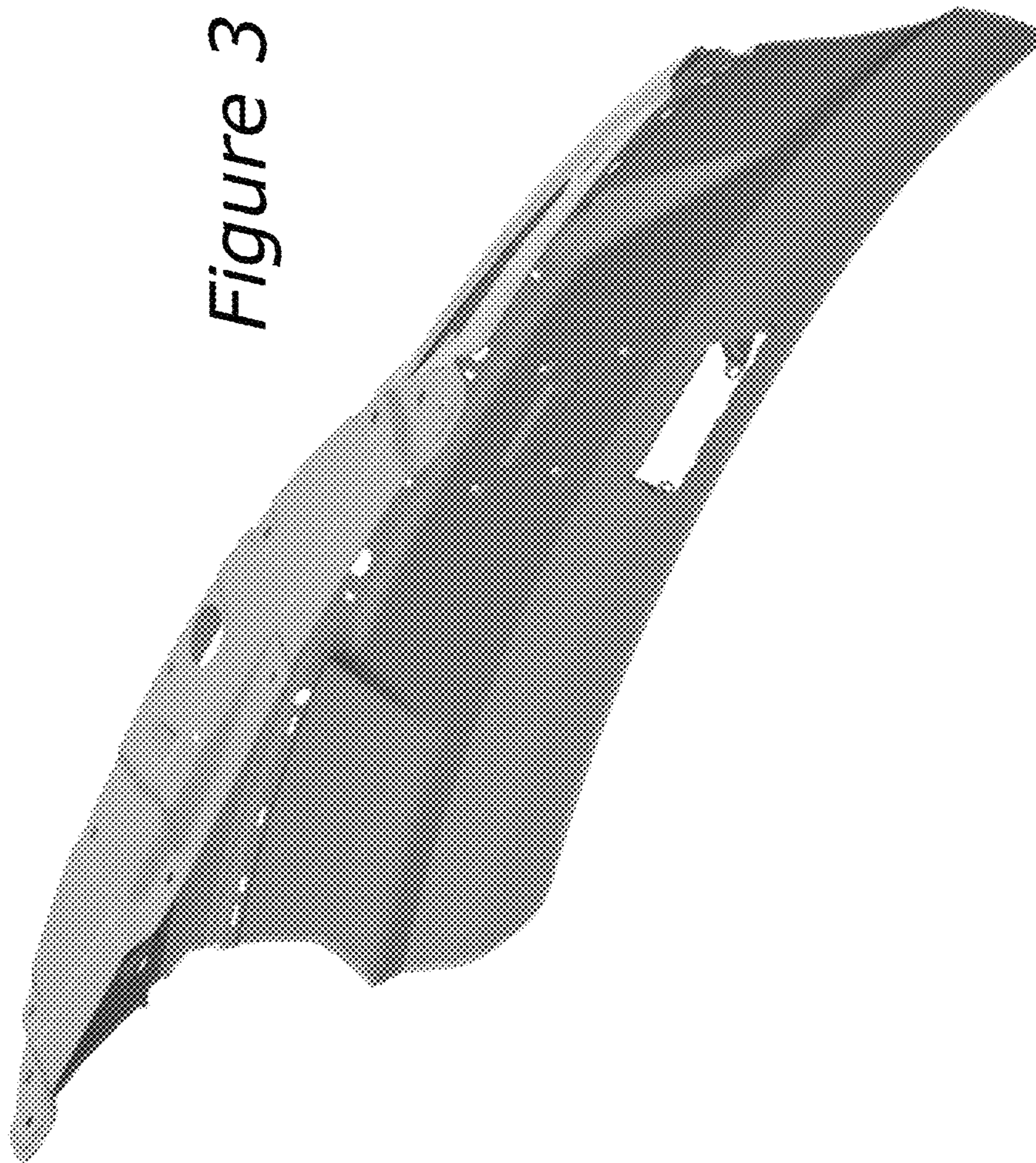




Figure 4



Figure 5

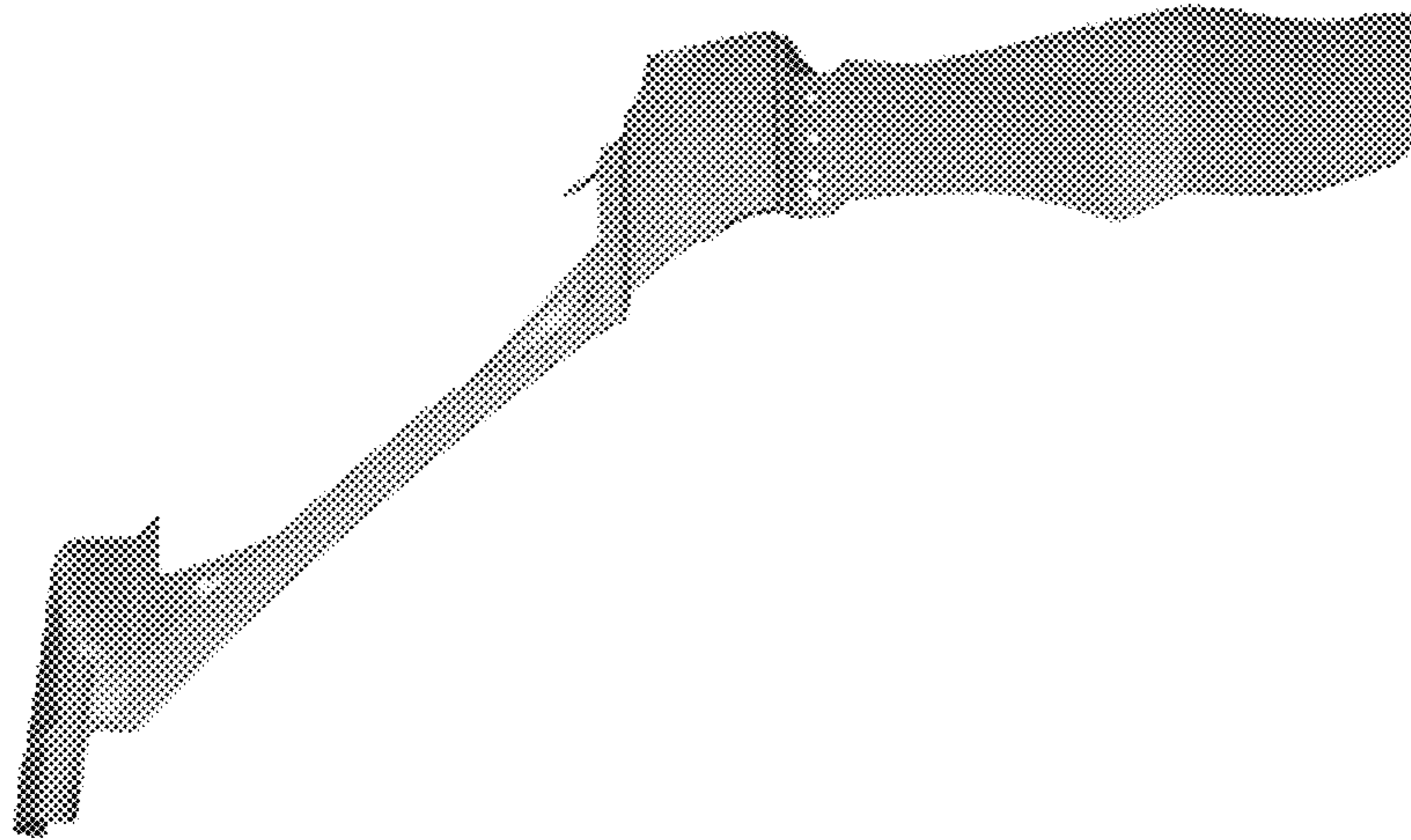


Figure 6

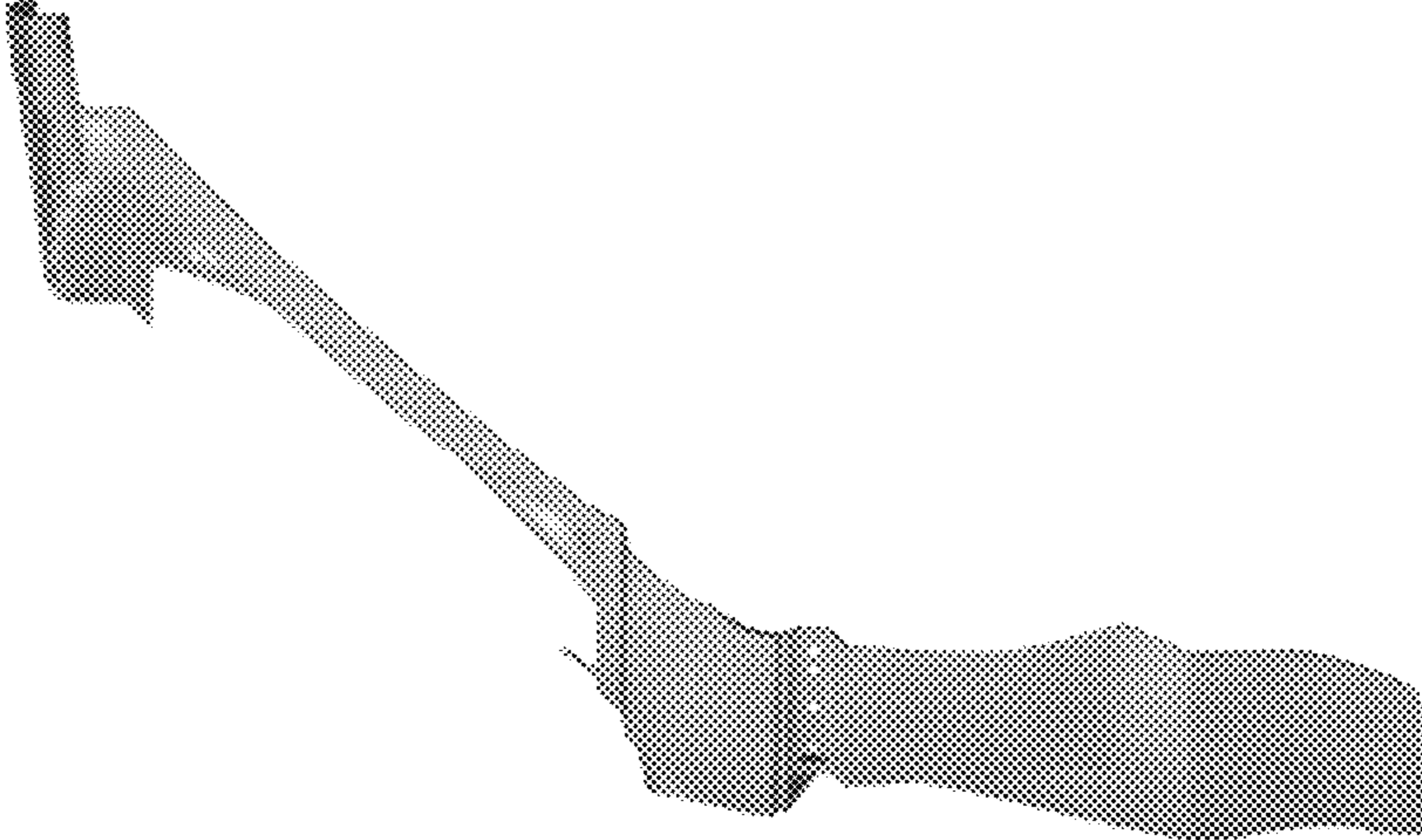


Figure 7

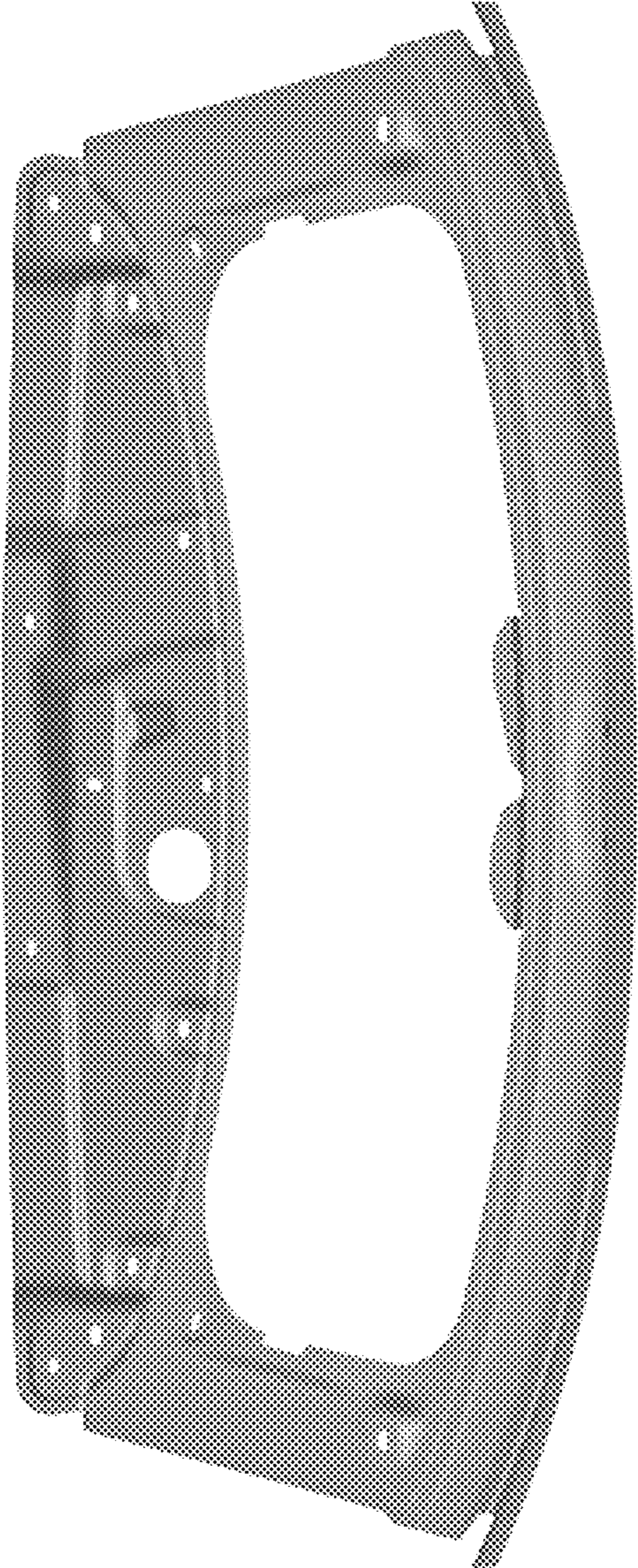


Figure 8

Figure 9

