



US00D761175S

(12) **United States Design Patent**
Stoynov

(10) **Patent No.:** **US D761,175 S**
(45) **Date of Patent:** **** Jul. 12, 2016**

- (54) **VEHICLE TRIM**
- (71) Applicant: **Stefan Stoynov**, Renton, WA (US)
- (72) Inventor: **Stefan Stoynov**, Renton, WA (US)
- (**) Term: **14 Years**
- (21) Appl. No.: **29/516,732**
- (22) Filed: **Feb. 5, 2015**
- (51) **LOC (10) Cl.** **12-08**
- (52) **U.S. Cl.**
USPC **D12/190**
- (58) **Field of Classification Search**
USPC D12/190, 106, 192, 400, 90, 91, 92,
D12/197, 86, 171, 169, 163, 110, 114;
D11/211, 81; D20/11, 23, 24, 25, 30,
D20/31, 32
CPC B60J 10/35; B60J 10/0011; B60J 10/02
See application file for complete search history.

(56) **References Cited**

U.S. PATENT DOCUMENTS

- D636,314 S * 4/2011 Wang D12/190
- D637,536 S * 5/2011 Peltola D12/190
- D647,833 S * 11/2011 Matei D12/190
- D704,606 S * 5/2014 Kirtland D12/172
- D709,419 S * 7/2014 Watkins D12/190
- D709,420 S * 7/2014 Watkins D12/190

- D711,302 S * 8/2014 van Braeckel D12/190
- D746,745 S * 1/2016 Schoonover D12/190
- D748,549 S * 2/2016 Battams D12/190
- D749,470 S * 2/2016 Behmer D12/169

* cited by examiner

Primary Examiner — Katrina A Betton

(74) *Attorney, Agent, or Firm* — Dean A. Craine, P.S.

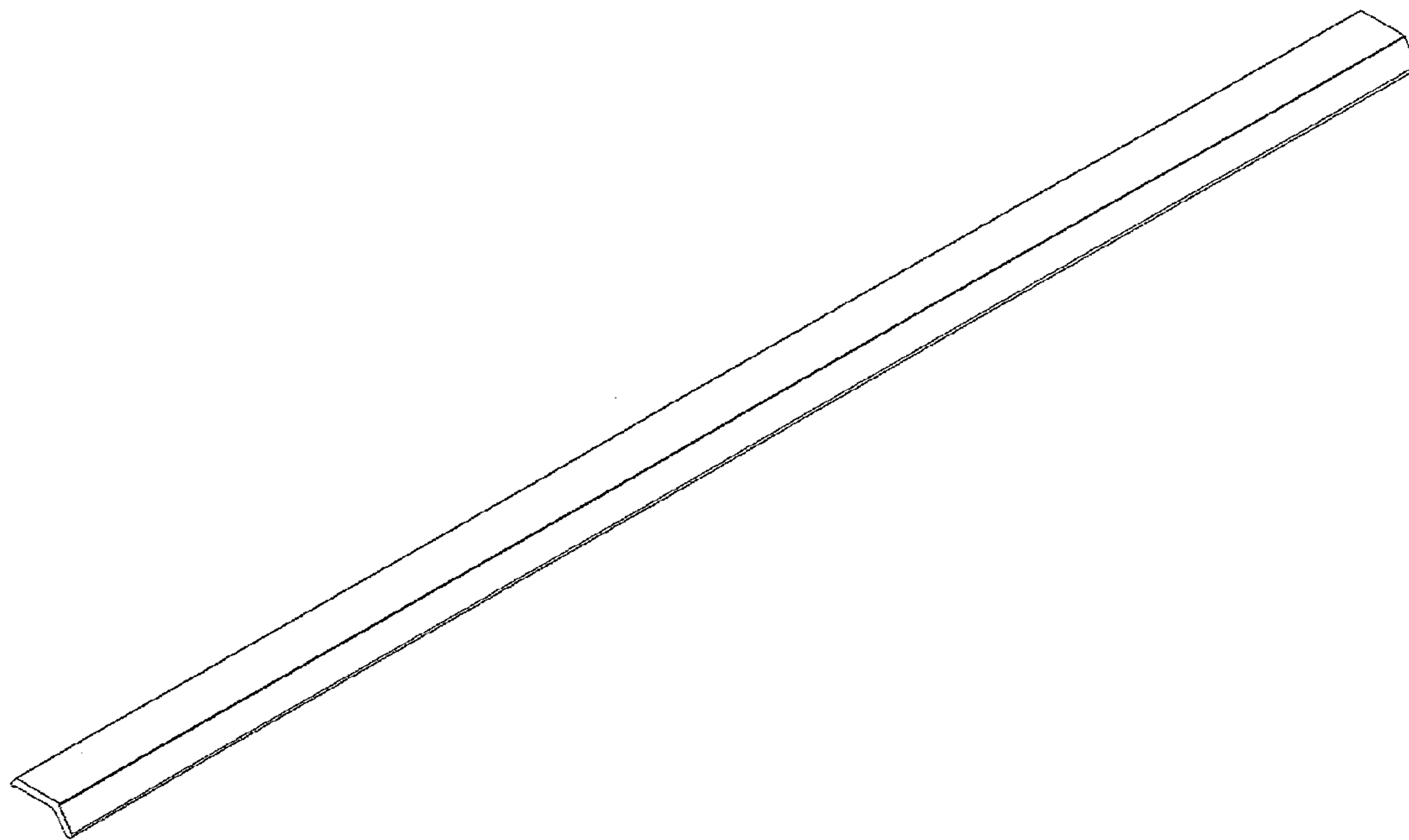
(57) **CLAIM**

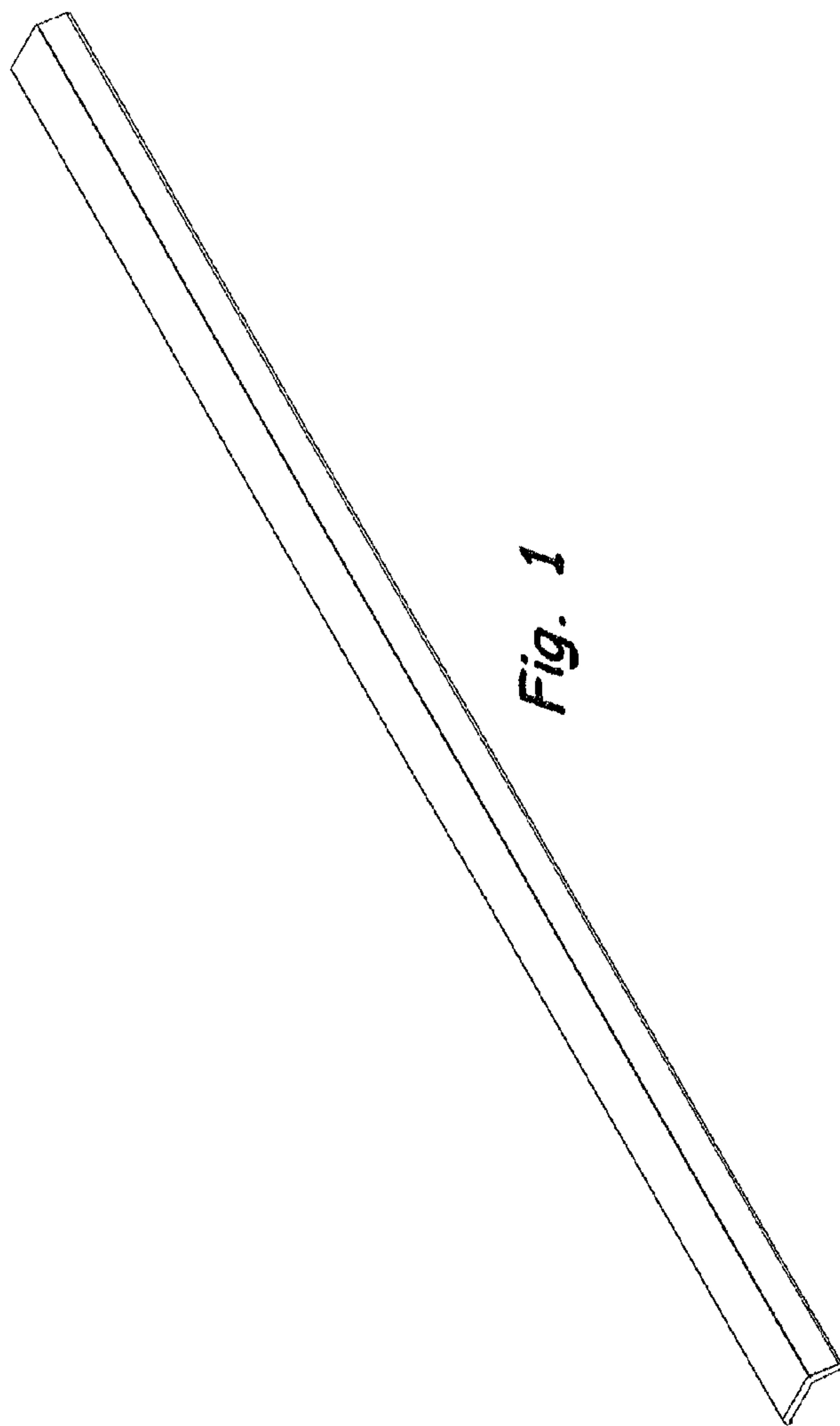
The ornamental design for a vehicle trim.

DESCRIPTION

FIG. 1 is a front perspective view of a vehicle trim.
 FIG. 2 is a top perspective view of the vehicle trim.
 FIG. 3 is a bottom perspective view of the vehicle trim.
 FIG. 4 is a front, top perspective view showing the two opposite ends of the vehicle trim.
 FIG. 5 is a rear, top perspective view showing the two opposite ends of the vehicle trim.
 FIG. 6 is a left side elevational view of the vehicle trim.
 FIG. 7 is a top plan view of the vehicle trim shown in FIG. 4.
 FIG. 8 is a bottom plan view of the vehicle trim as shown in FIGS. 4 and 7.
 FIG. 9 is a right side plan view of the vehicle trim.
 FIG. 10 is a rear elevational view of the vehicle trim as shown in FIG. 7; and,
 FIG. 11 is a front elevational view of the vehicle trim as shown in FIG. 7.
 The breaks in the drawing figures show no specific length.

1 Claim, 4 Drawing Sheets





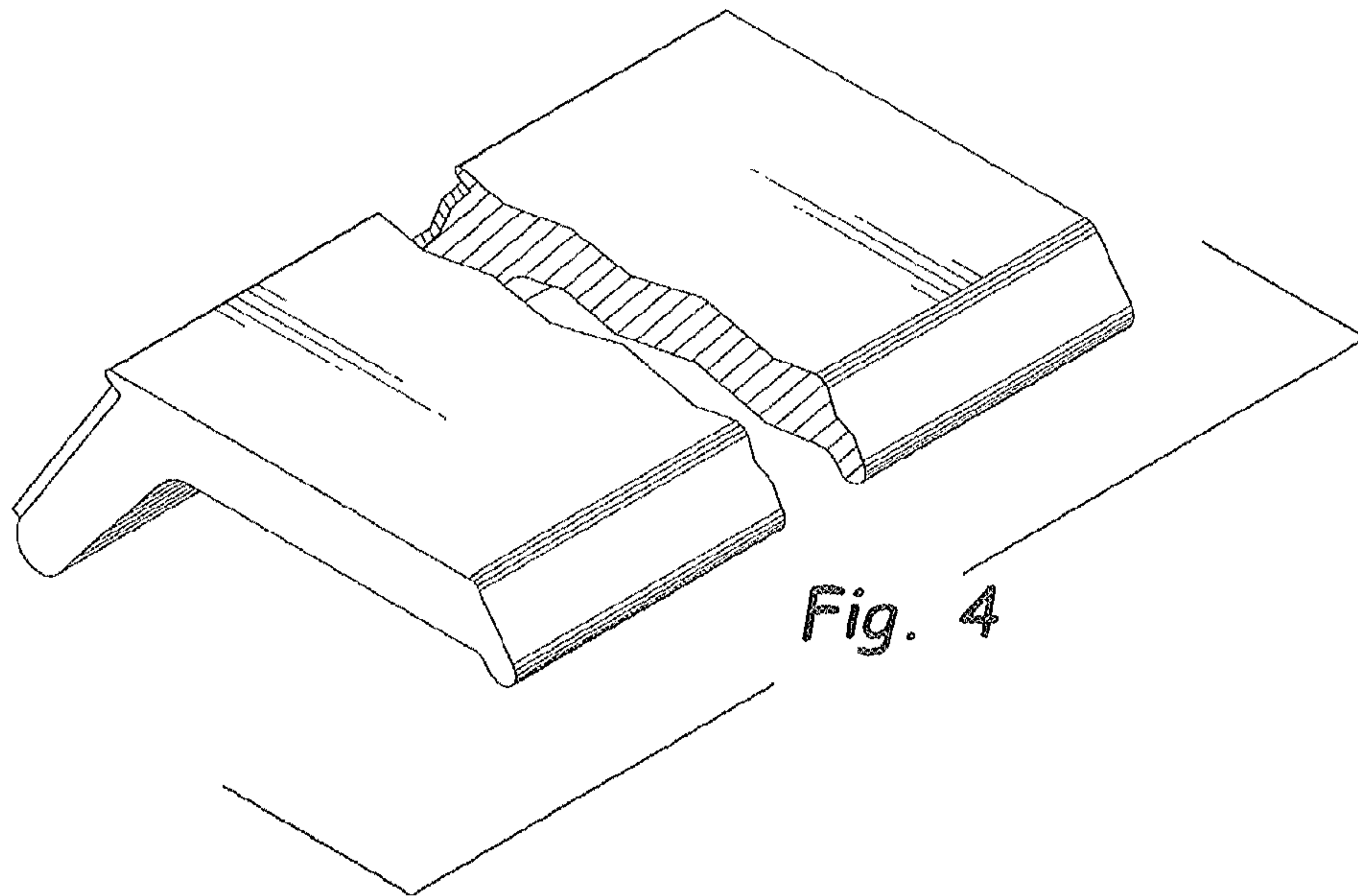


Fig. 4

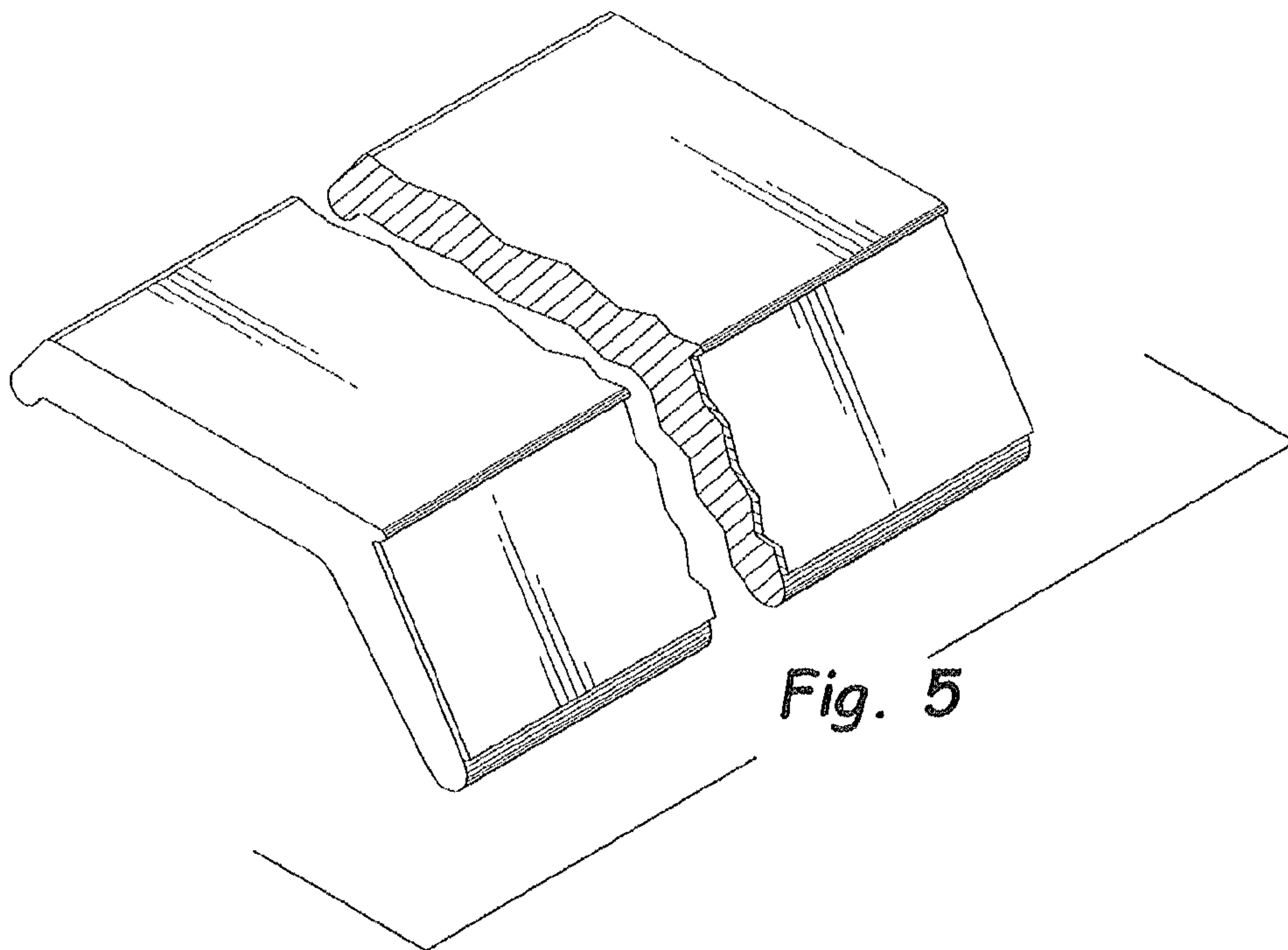


Fig. 5

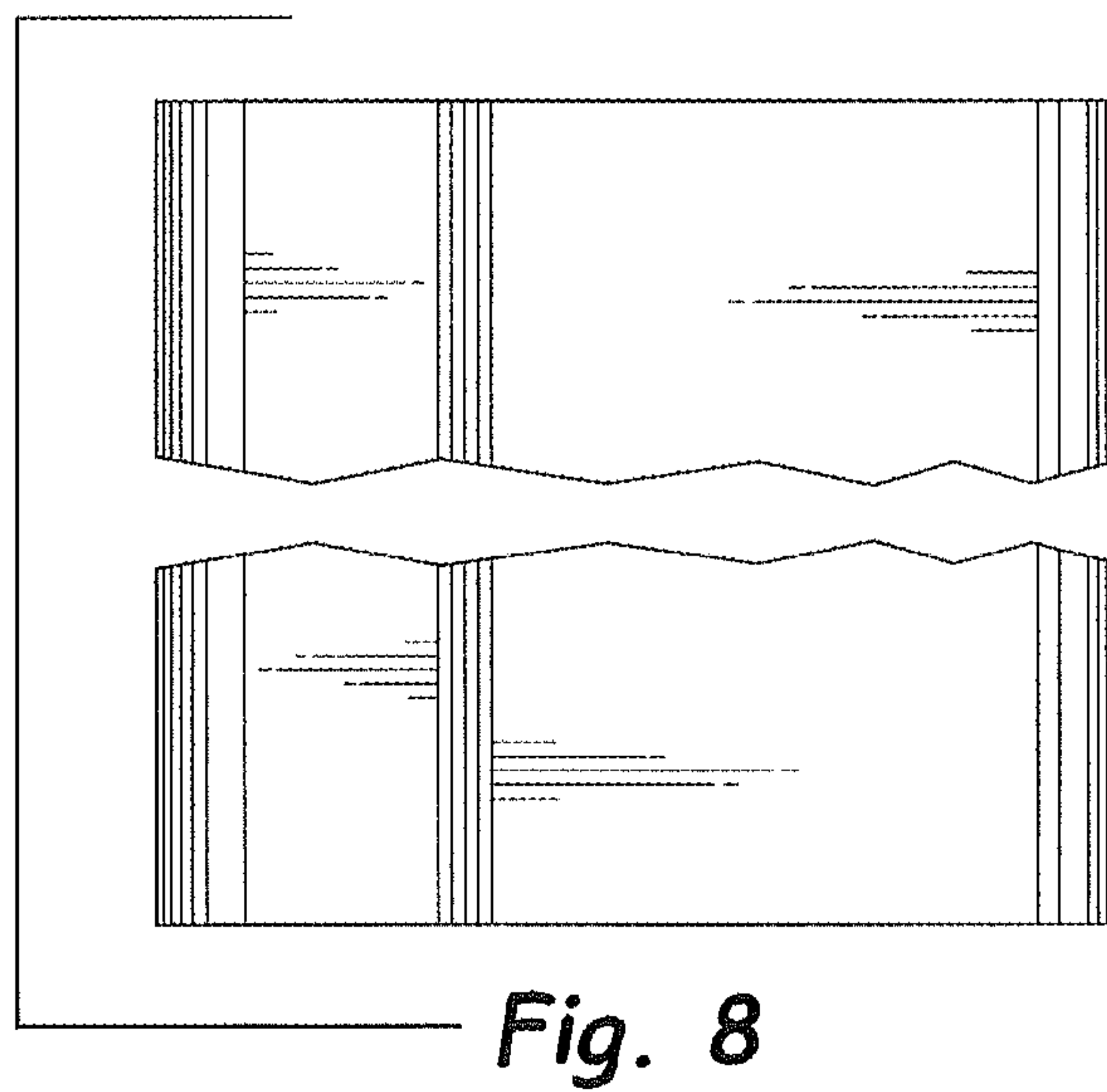
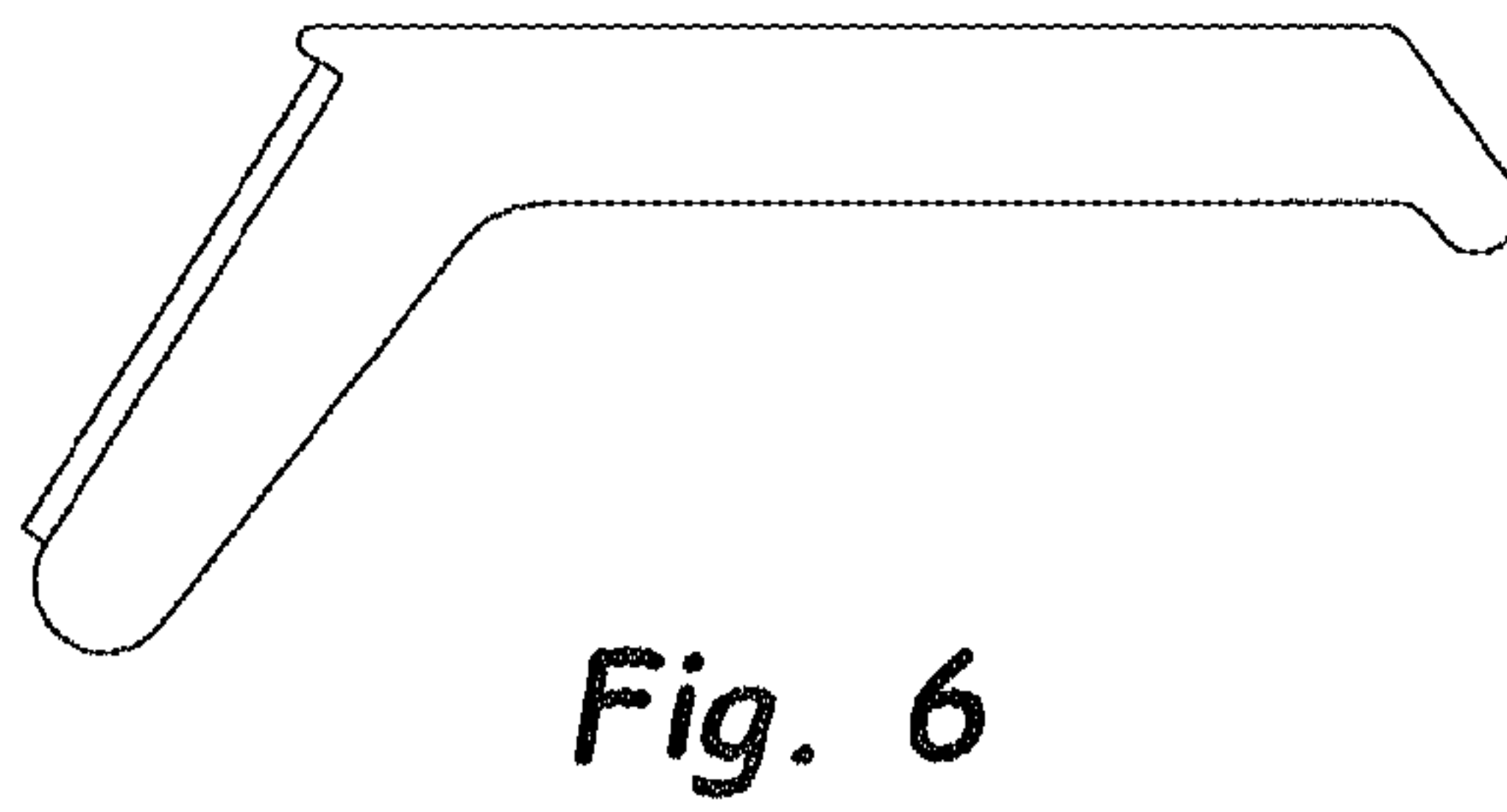
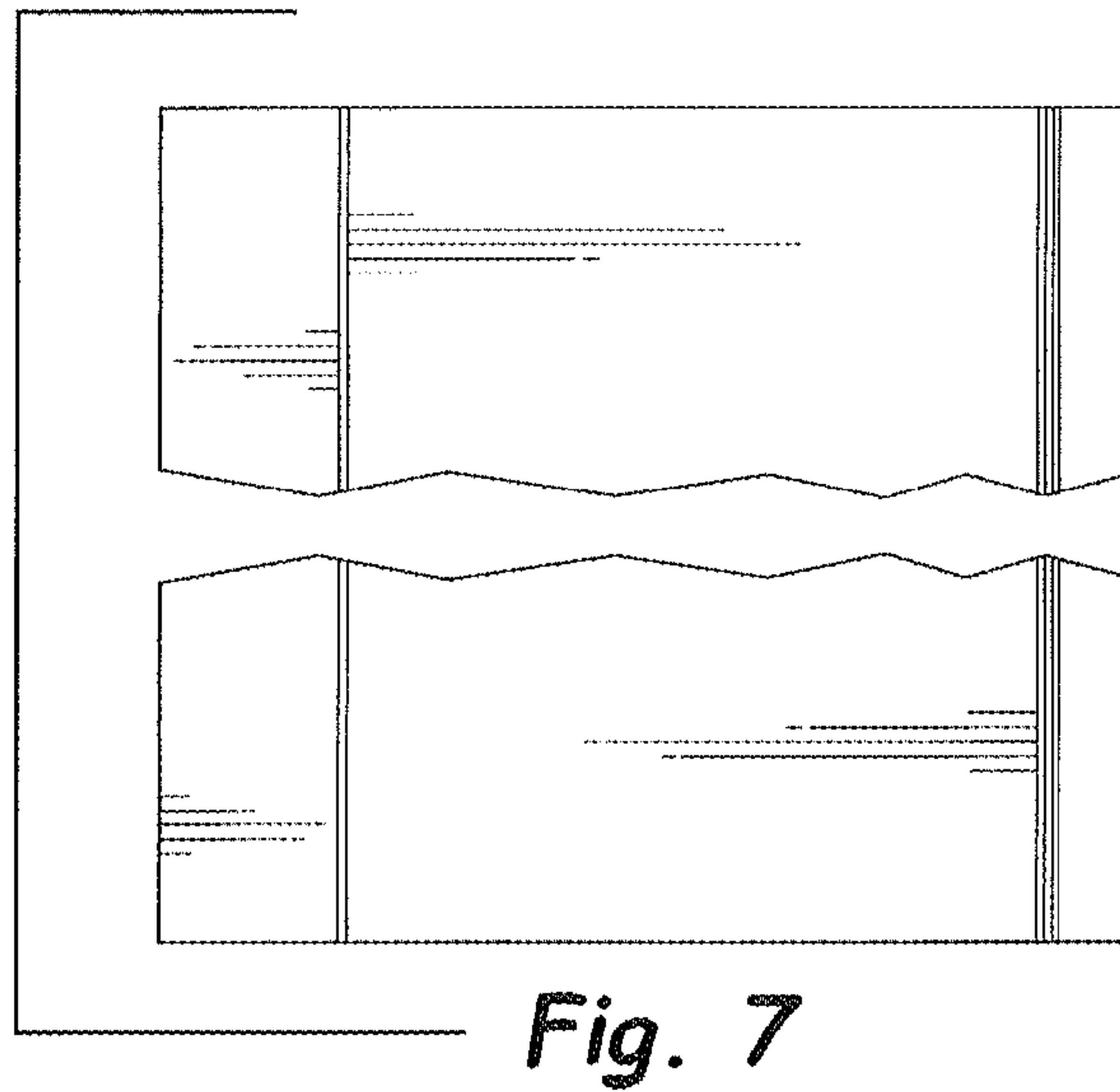




Fig. 11

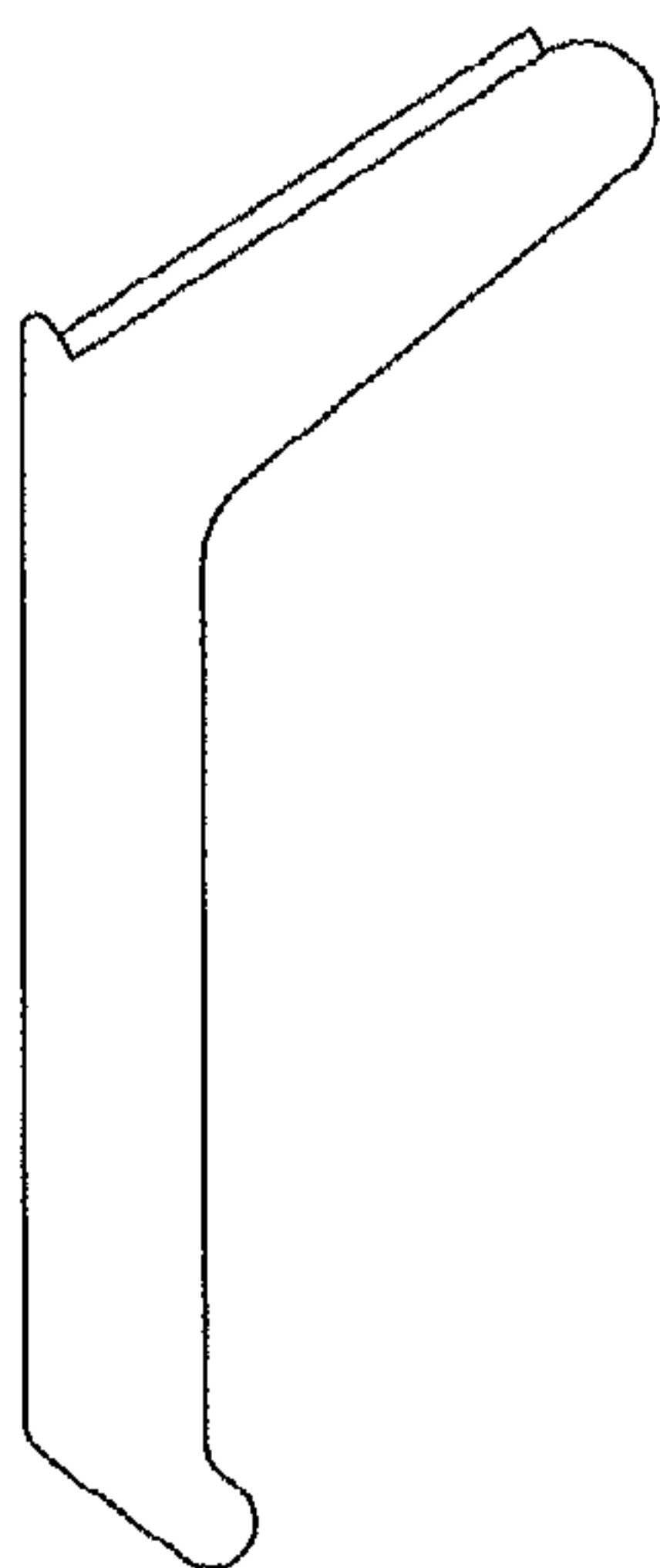


Fig. 9



Fig. 10