



US00D761173S

(12) **United States Design Patent**  
**Faghihzadeh**

(10) **Patent No.:** **US D761,173 S**  
(45) **Date of Patent:** **\*\* Jul. 12, 2016**

(54) **SIDE MIRROR FOR A VEHICLE**  
(71) Applicant: **Bayerische Motoren Werke**  
**Aktiengesellschaft, Munich (DE)**  
(72) Inventor: **Nader Faghihzadeh, Munich (DE)**

(73) Assignee: **Bayerische Motoren Werke**  
**Aktiengesellschaft, Munich (DE)**

(\*\*) Term: **15 Years**

(21) Appl. No.: **29/527,523**

(22) Filed: **May 20, 2015**

(30) **Foreign Application Priority Data**

Nov. 21, 2014 (DE) ..... 40 2014 101 119

(51) **LOC (10) Cl.** ..... **12-16**

(52) **U.S. Cl.**  
USPC ..... **D12/187**

(58) **Field of Classification Search**  
USPC ..... D12/187, 199, 189; D6/300, 309  
CPC ..... B60R 1/076; G02B 7/18; G02B 7/182;  
G02B 5/08

See application file for complete search history.

(56) **References Cited**

U.S. PATENT DOCUMENTS

D586,713 S 2/2009 Habib  
D703,120 S 4/2014 Nordmann

FOREIGN PATENT DOCUMENTS

EM 000934468-0002 10/2009

*Primary Examiner* — Katrina A Betton

(74) *Attorney, Agent, or Firm* — Crowell & Moring LLP

(57) **CLAIM**

The ornamental design for a side mirror for a vehicle, as shown and described.

**DESCRIPTION**

This application contains subject matter related to the following co-pending U.S. design patent applications: application Ser. No. 29/527,514, filed herewith and entitled "Vehicle, Toy, and/or Replicas Thereof"; and application Ser. No. 29/527,524, filed herewith and entitled "Vehicle, Toy, and/or Replicas Thereof".

FIG. 1 is a front view of a side mirror for a vehicle according to the design;

FIG. 2 is a right, front perspective view thereof;

FIG. 3 is a right side view thereof;

FIG. 4 is a right, rear perspective view thereof;

FIG. 5 is a rear view thereof;

FIG. 6 is a top view thereof;

FIG. 7 is a bottom view thereof; and,

FIG. 8 is a left side view thereof.

**1 Claim, 8 Drawing Sheets**

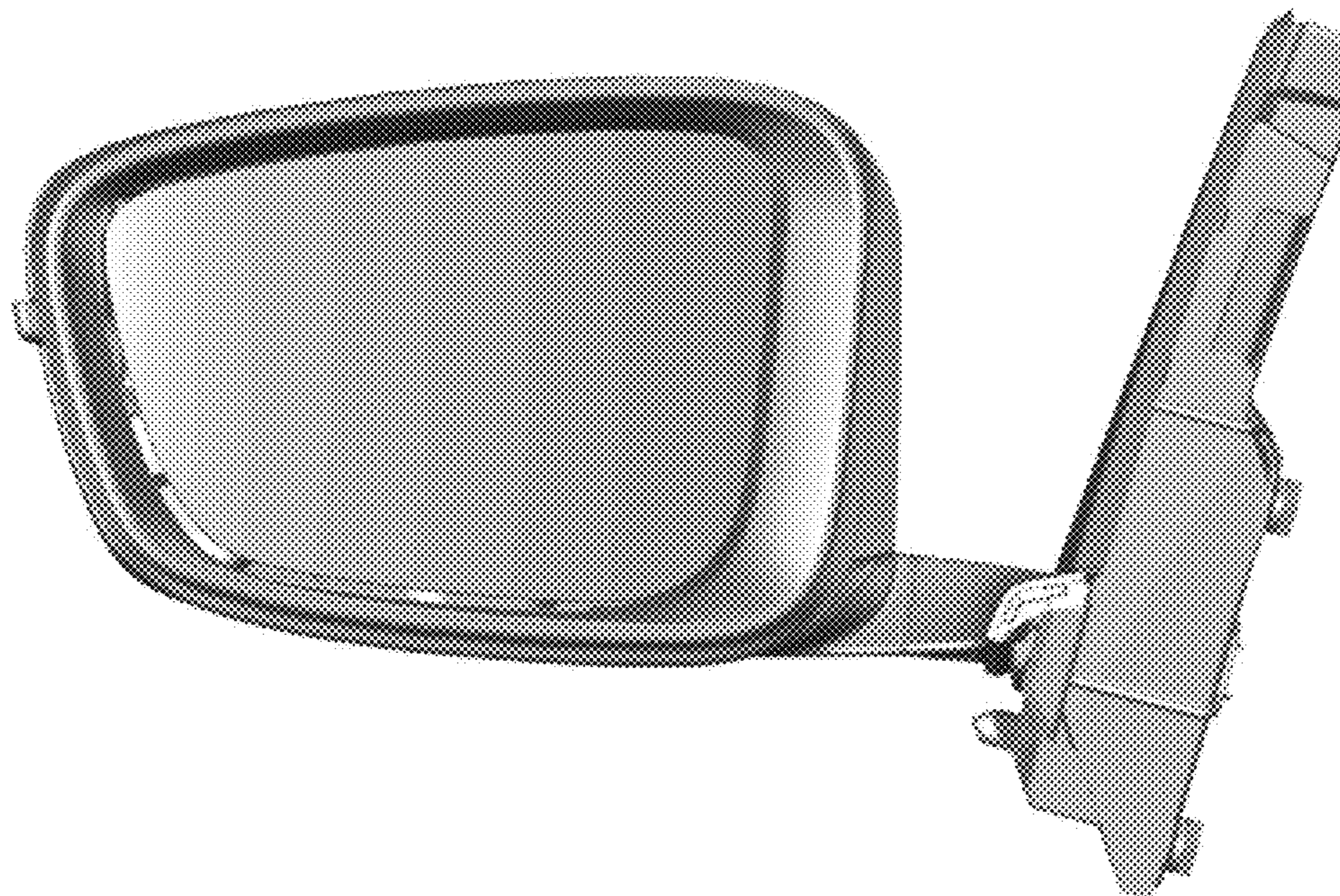




Fig. 1

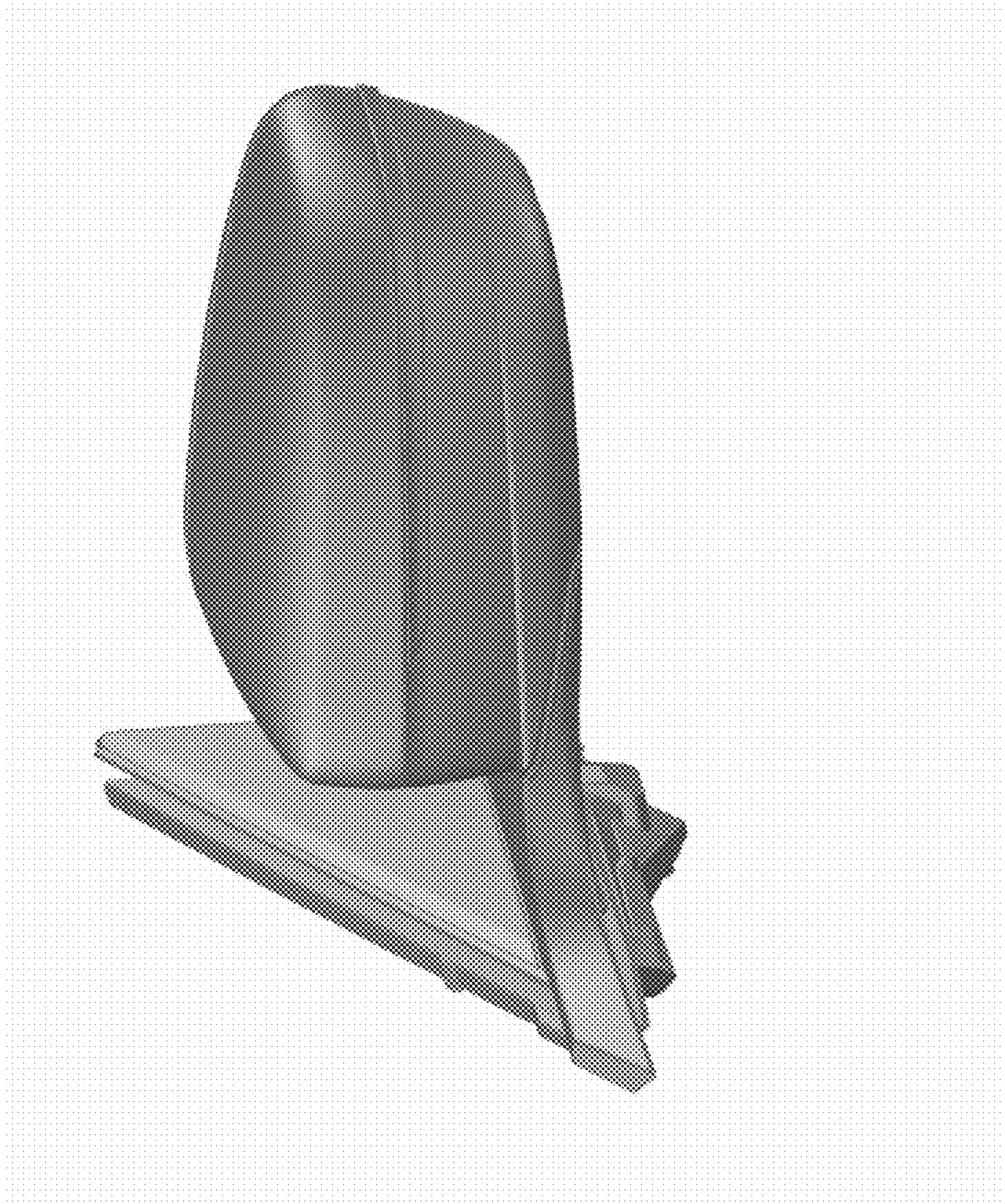


Fig. 2

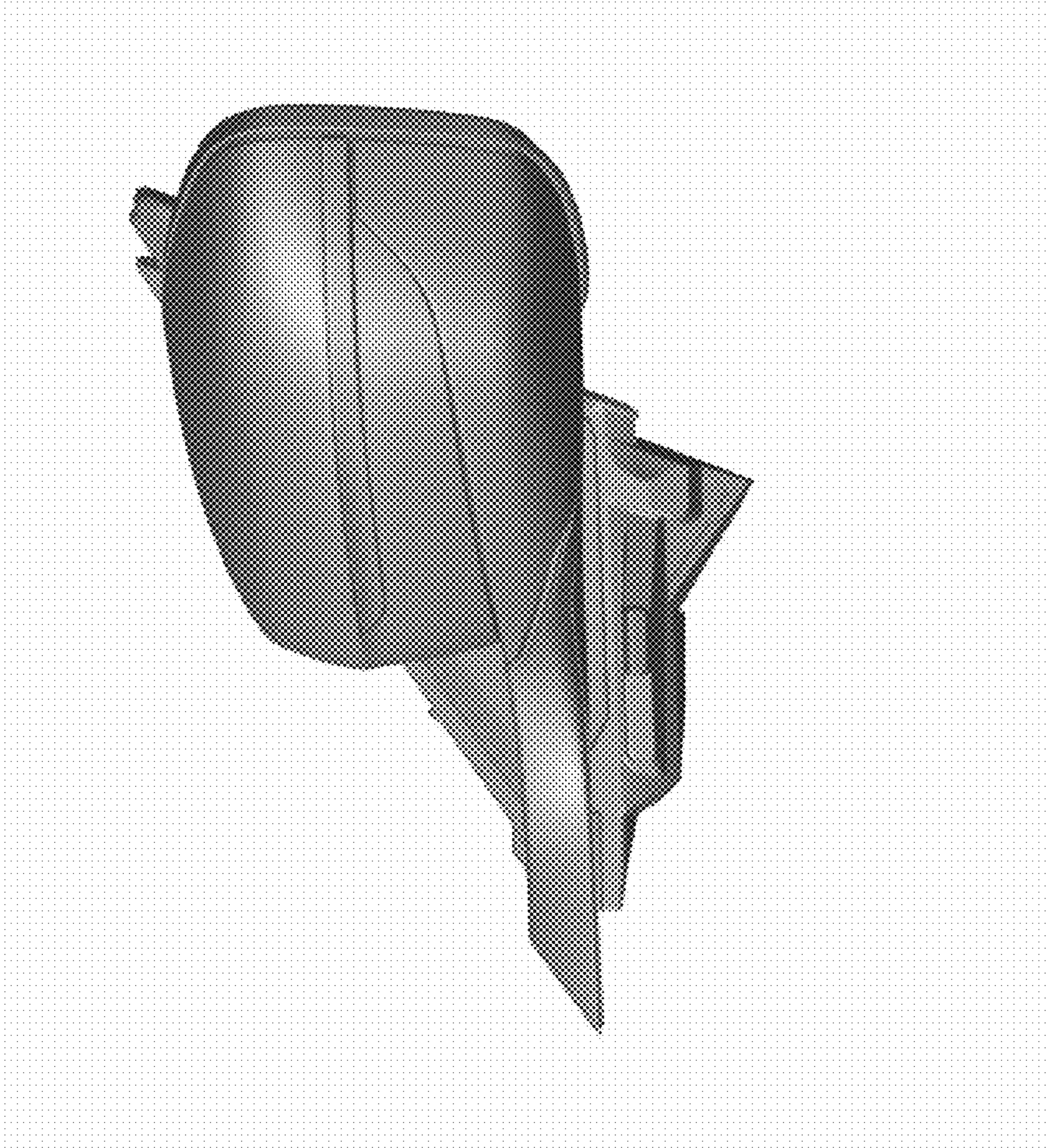


Fig. 3



Fig. 4



Fig. 5



Fig. 6



Fig. 7



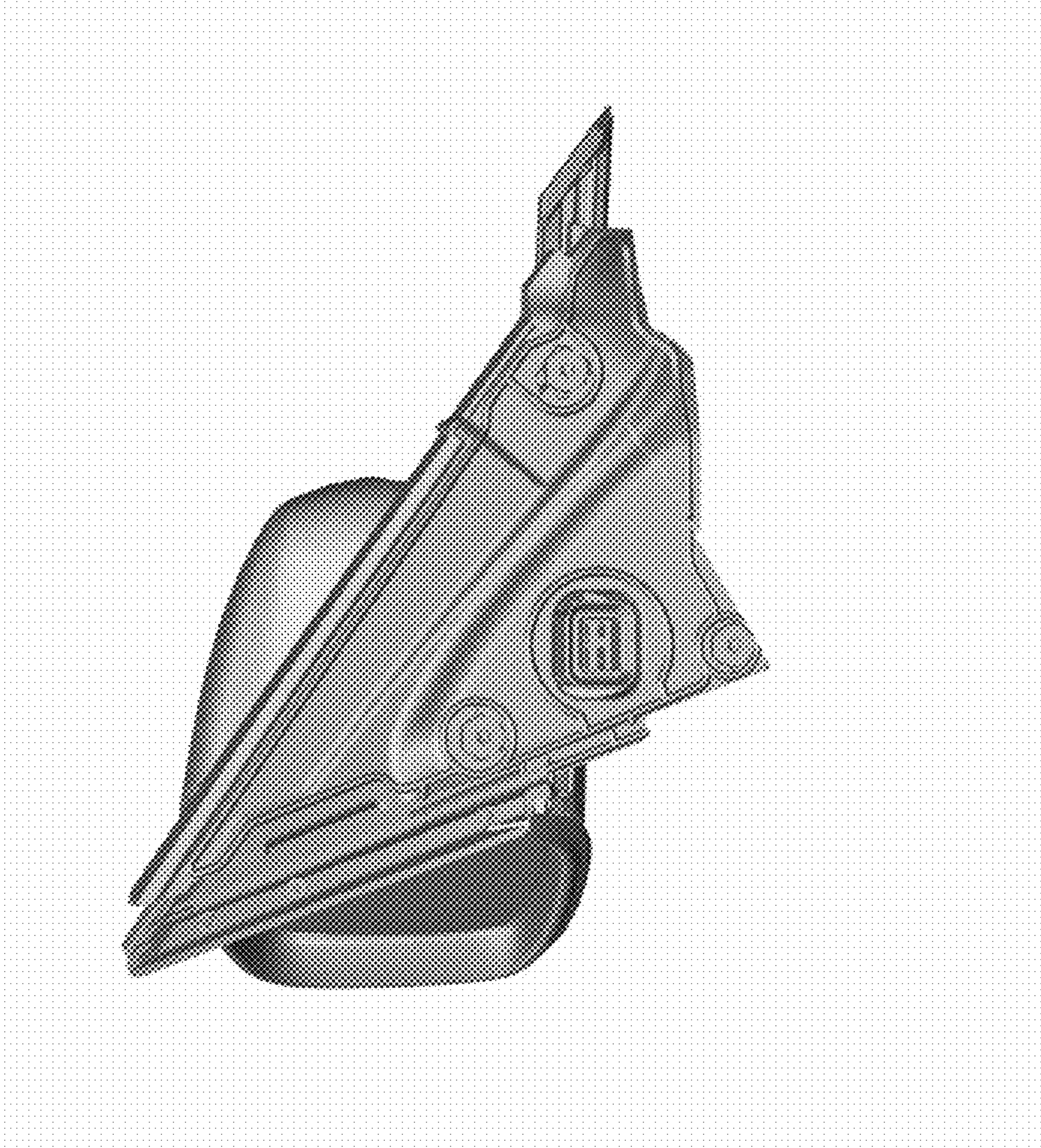


Fig. 8