

US00D761168S

(12) **United States Design Patent**
Roth

(10) **Patent No.:** **US D761,168 S**
(45) **Date of Patent:** **** Jul. 12, 2016**

- (54) **REARVIEW DEVICE**
- (71) Applicant: **Gentex Corporation**, Zeeland, MI (US)
- (72) Inventor: **Mark R. Roth**, Grand Rapids, MI (US)
- (73) Assignee: **GENTEX CORPORATION**, Zeeland, MI (US)
- (**) Term: **14 Years**
- (21) Appl. No.: **29/517,141**
- (22) Filed: **Feb. 10, 2015**

| | | | |
|-------------------|---------|-------------------|-----------------------|
| D401,200 S | 11/1998 | Huang | |
| D451,869 S | 12/2001 | Knapp et al. | |
| D471,847 S * | 3/2003 | Rumsey | D12/187 |
| D493,131 S | 7/2004 | Lawlor et al. | |
| D493,394 S | 7/2004 | Lawlor et al. | |
| D499,678 S | 12/2004 | Bradley | |
| 6,902,284 B2 * | 6/2005 | Hutzel | B60Q 3/023 248/479 |
| D553,061 S | 10/2007 | Schmidt et al. | |
| D556,105 S * | 11/2007 | Carter | D12/187 |
| D659,617 S * | 5/2012 | Brockington | D12/187 |
| D670,279 S | 11/2012 | Veltz et al. | |
| D685,358 S | 7/2013 | Armstrong et al. | |
| D746,744 S * | 1/2016 | Sloterbeek | D12/187 |
| 2014/0192431 A1 * | 7/2014 | Sloterbeek | B60R 1/12 359/871 |

Related U.S. Application Data

- (63) Continuation of application No. 29/507,965, filed on Oct. 31, 2014, now Pat. No. Des. 729,715.
- (51) **LOC (10) Cl.** **12-16**
- (52) **U.S. Cl.**
USPC **D12/187**
- (58) **Field of Classification Search**
USPC D12/187, 199, 189; D6/300, 309
CPC B60R 1/076; G02B 7/18; G02B 7/182;
G02B 5/08
See application file for complete search history.

* cited by examiner

Primary Examiner — Katrina A Betton

(74) *Attorney, Agent, or Firm* — Price Heneveld LLP; Scott P. Ryan

CLAIM

(57) I claim the ornamental design for a rearview device, as shown and described.

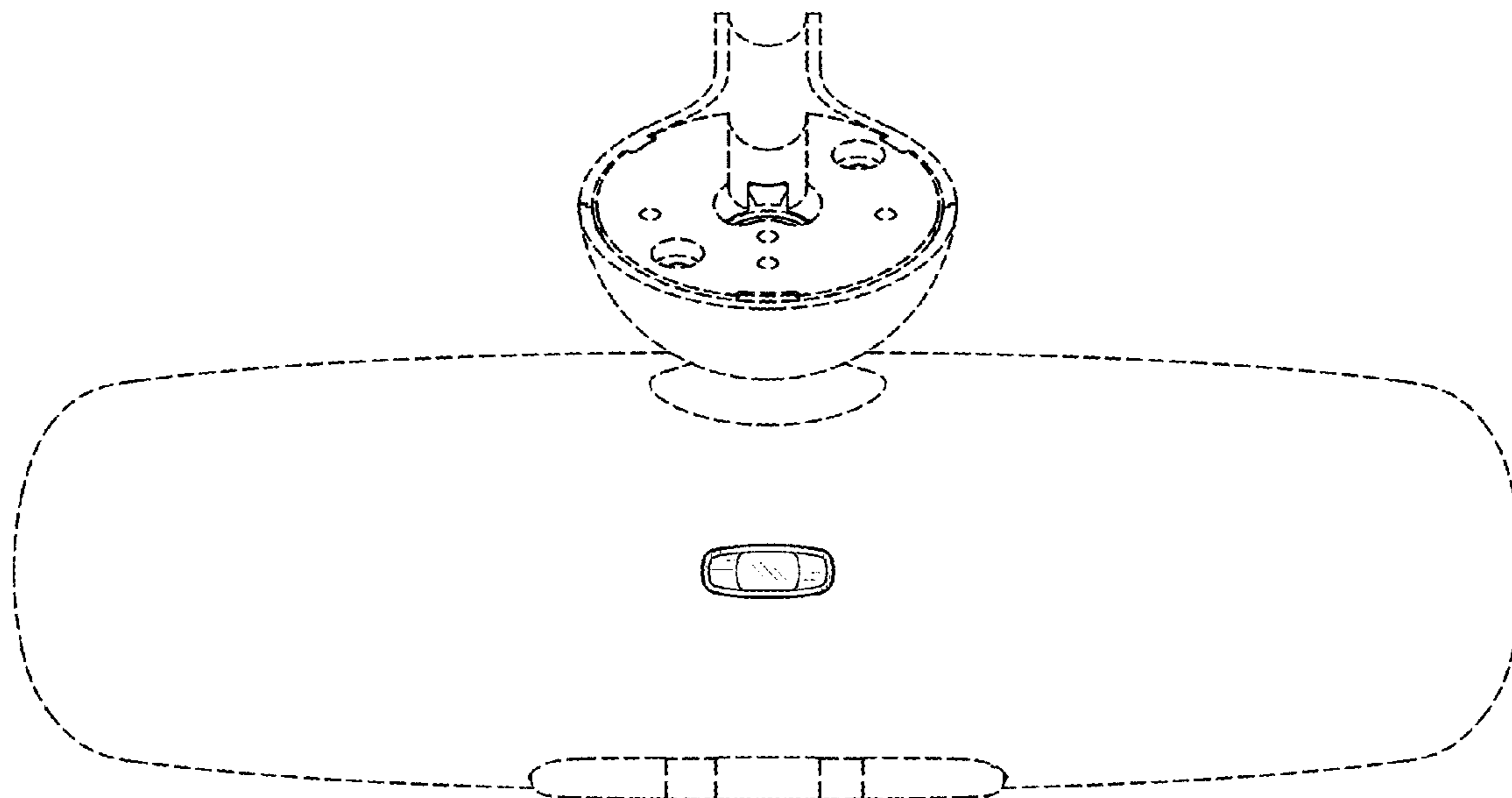
DESCRIPTION

FIG. 1 is a top perspective view of one embodiment of a rearview device of the present disclosure;
FIG. 2 is a front elevational view of the rearview device of FIG. 1;
FIG. 3 is a side elevational view of the rearview device of FIG. 1; and,
FIG. 4 is a bottom plan view of the rearview device of FIG. 1.

1 Claim, 2 Drawing Sheets

(56) **References Cited**
U.S. PATENT DOCUMENTS

| | | | |
|---------------|---------|-----------------|----------------------|
| D283,998 S | 5/1986 | Tanaka | |
| 4,630,904 A * | 12/1986 | Pastore | B60R 1/12 359/636 |
| D346,356 S * | 4/1994 | Leu | D12/187 |
| D400,481 S | 11/1998 | Stephens et al. | |



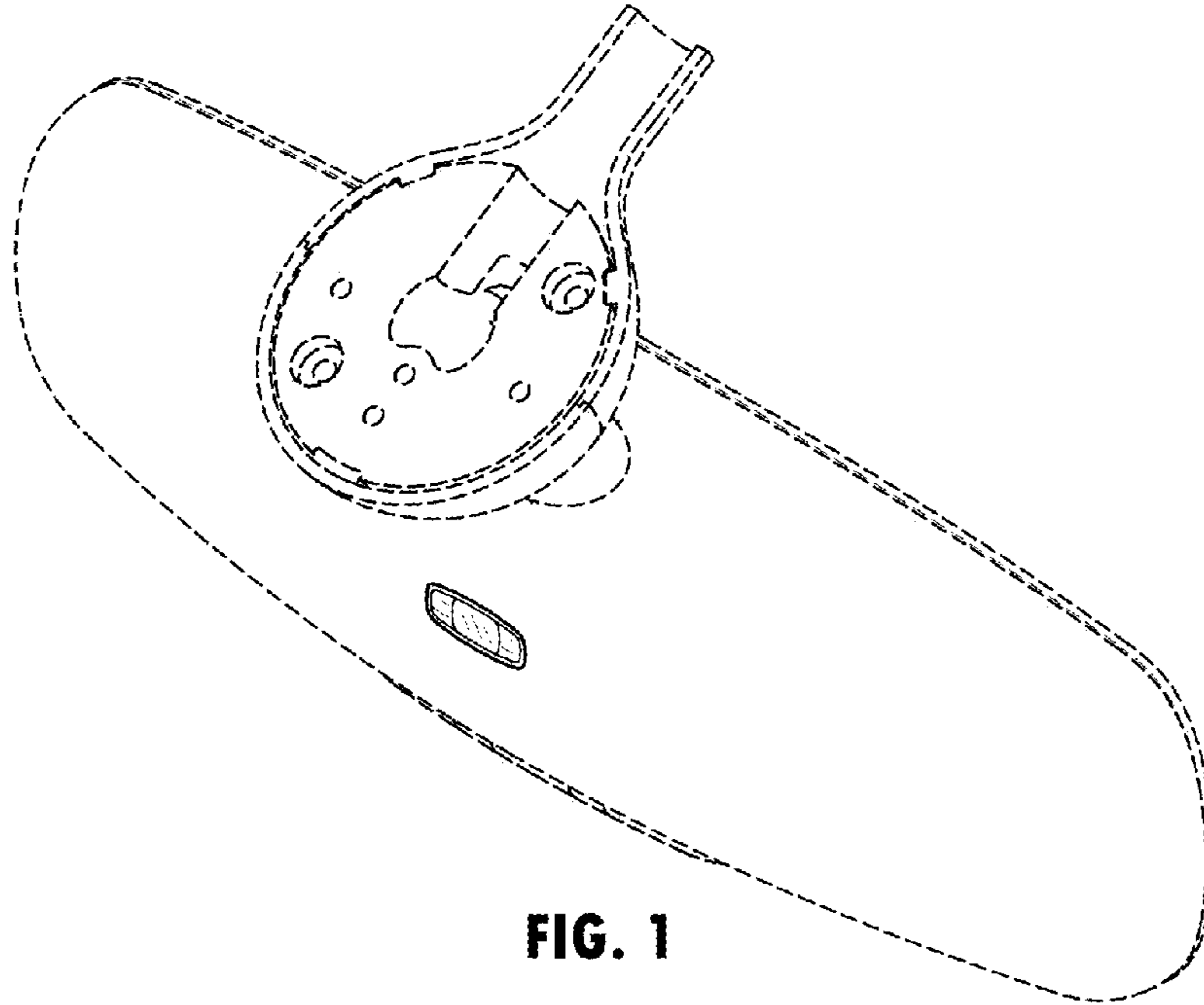


FIG. 1

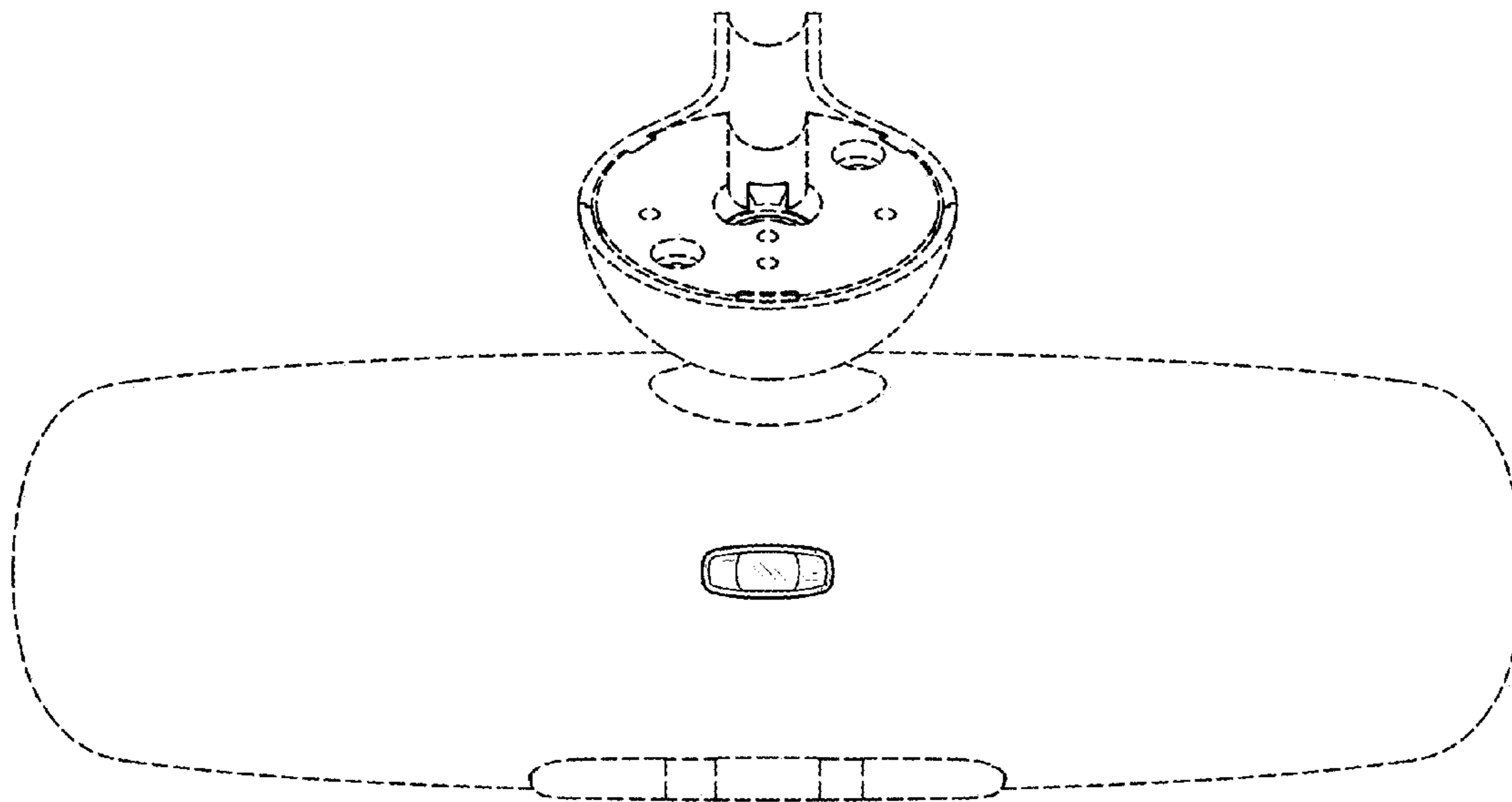


FIG. 2

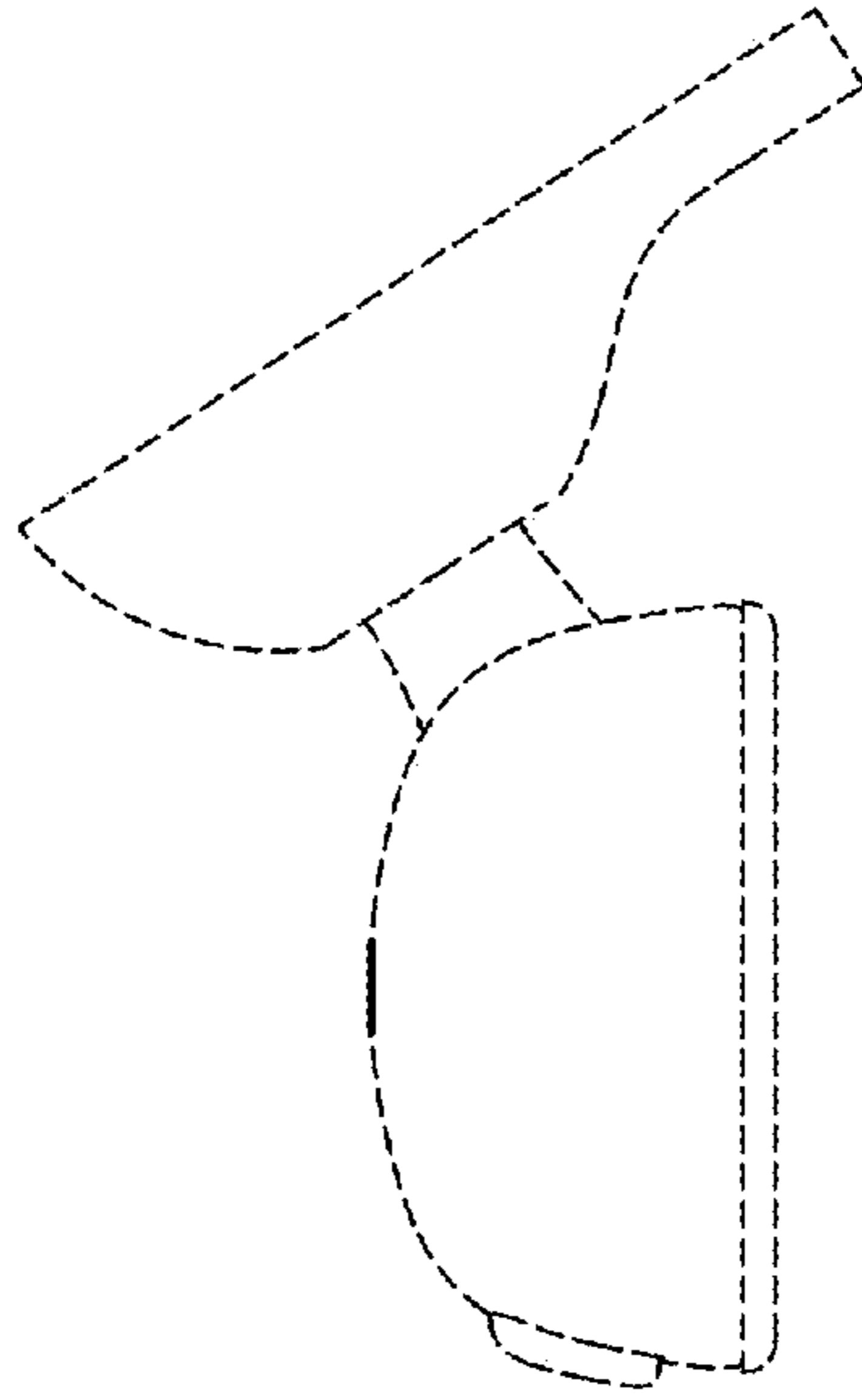


FIG. 3

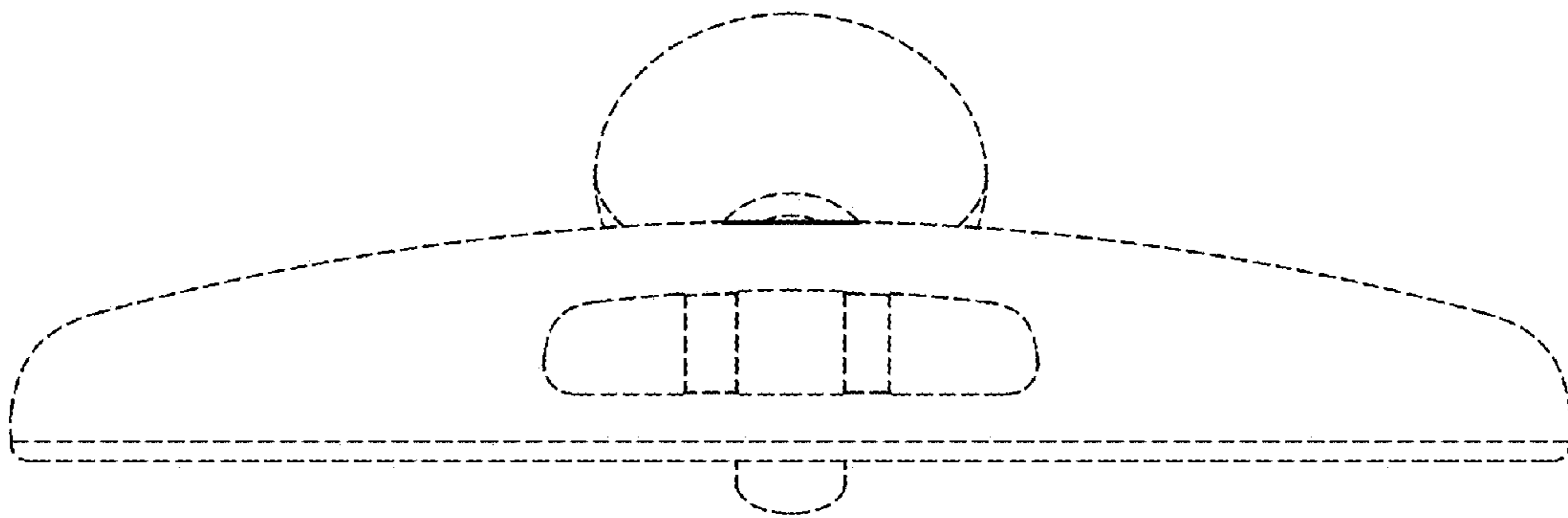


FIG. 4