



US00D761166S

(12) **United States Design Patent**
Hare

(10) **Patent No.:** **US D761,166 S**
(45) **Date of Patent:** **** Jul. 12, 2016**

(54) **VEHICLE REAR BUMPER**

D749,997 S * 2/2016 McMahan D12/169
D751,012 S * 3/2016 Hare D12/169

(71) Applicant: **Addictive Desert Designs, LLC**, Mesa, AZ (US)

* cited by examiner

(72) Inventor: **Jared A. Hare**, Mesa, AZ (US)

Primary Examiner — Melody N Brown

(73) Assignee: **Addictive Desert Designs LLC**, Mesa, AZ (US)

(74) *Attorney, Agent, or Firm* — Venjuris P.C.

(**) Term: **15 Years**

(57) **CLAIM**

(21) Appl. No.: **29/527,465**

The ornamental design for a vehicle rear bumper, as shown and described.

(22) Filed: **May 19, 2015**

(51) **LOC (10) Cl.** **12-16**

(52) **U.S. Cl.**
USPC **D12/169**

DESCRIPTION

(58) **Field of Classification Search**
USPC D12/169, 163, 196, 171, 90-92, 216;
293/102, 113, 115, 117, 120;
296/180.1, 180.2
CPC ... B60R 19/52; B60R 2019/25; B62D 25/084
See application file for complete search history.

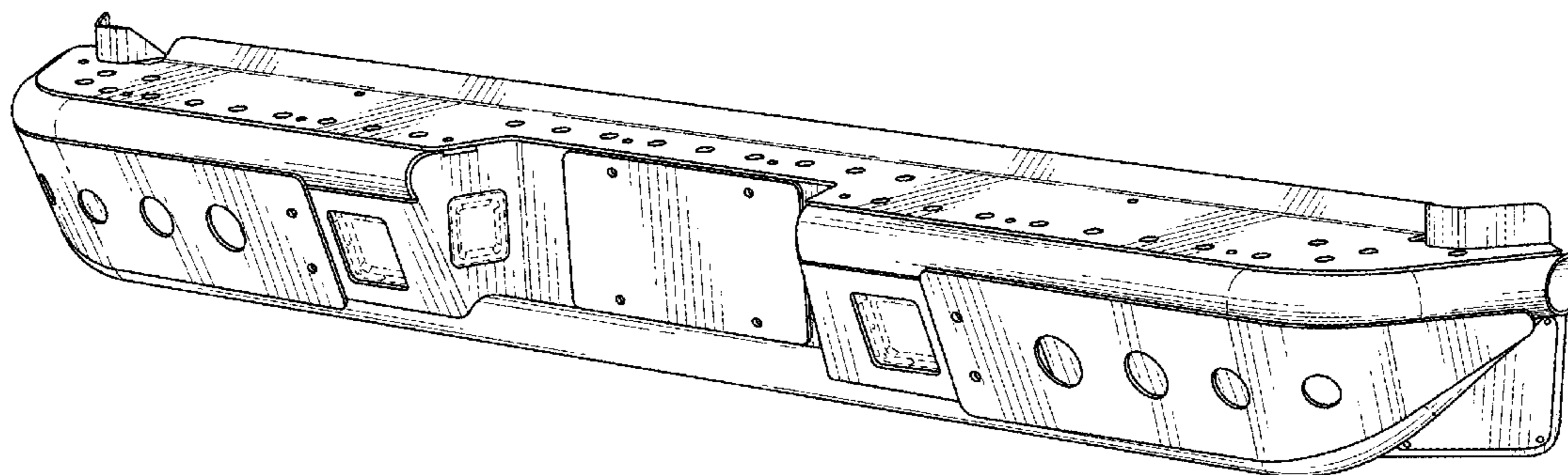
FIG. 1 is a perspective view of a vehicle rear bumper embodying the new design;
FIG. 2 is front elevational view;
FIG. 3 is a rear elevational view;
FIG. 4 is a right side elevational view;
FIG. 5 is a top plan view;
FIG. 6 is a bottom plan view; and,
FIG. 7 is another perspective view of the new design.
The left side elevational view is a mirror image of the right side elevational view.

(56) **References Cited**

U.S. PATENT DOCUMENTS

D713,306 S * 9/2014 Sperling D12/169
D739,798 S * 9/2015 O'Donnell D12/169

1 Claim, 4 Drawing Sheets



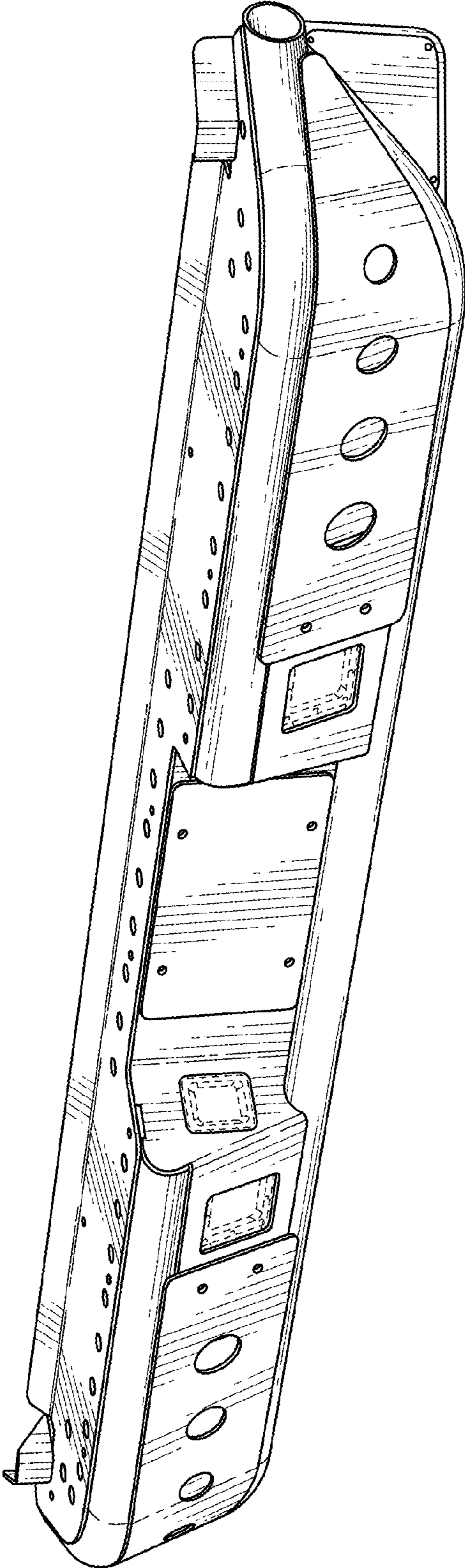


FIG. 1

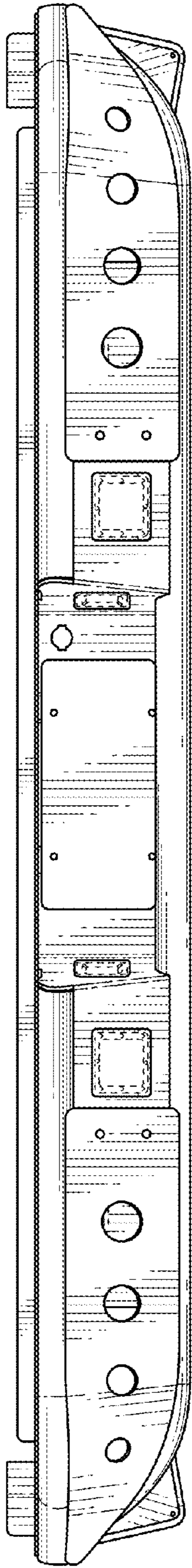


FIG. 2

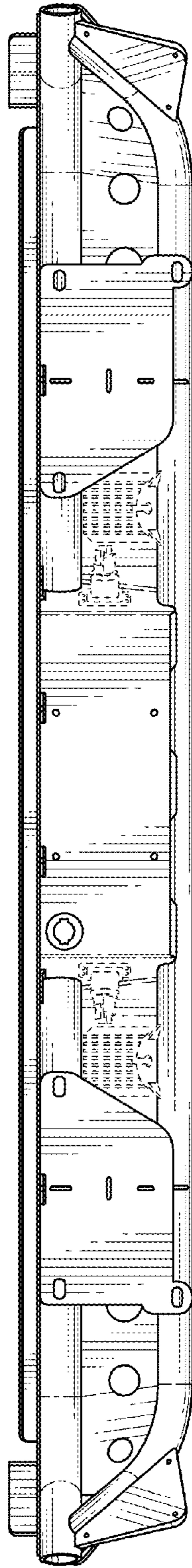


FIG. 3

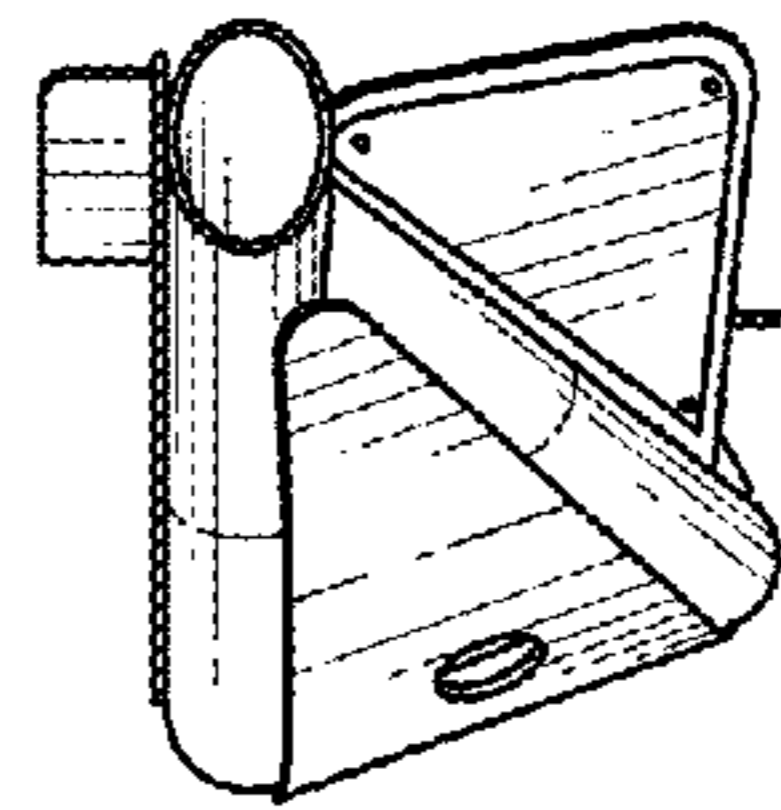


FIG. 4

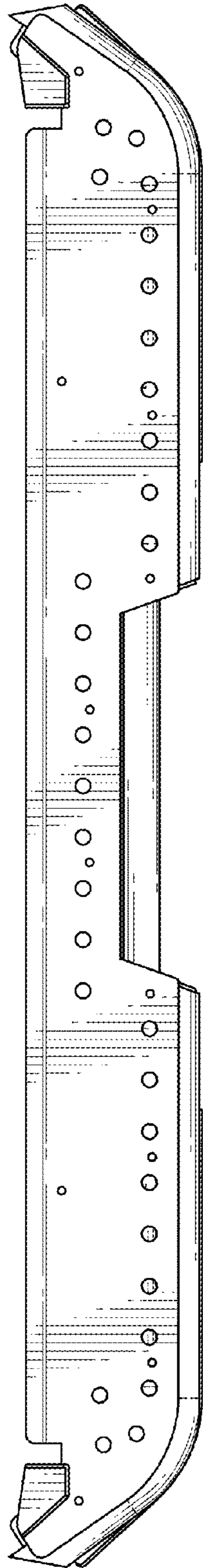


FIG. 5

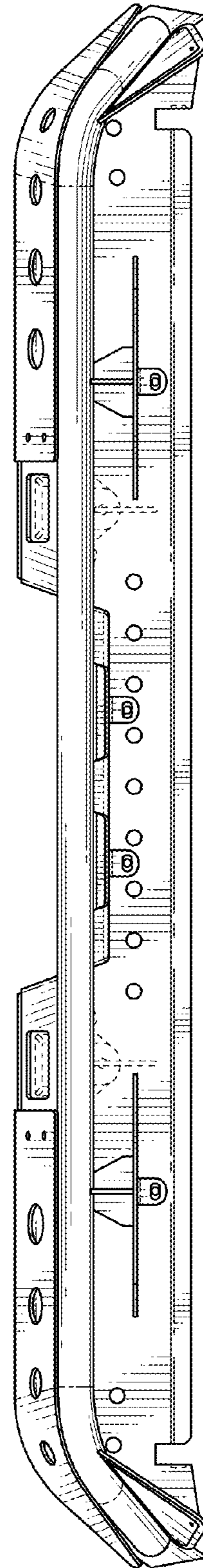


FIG. 6

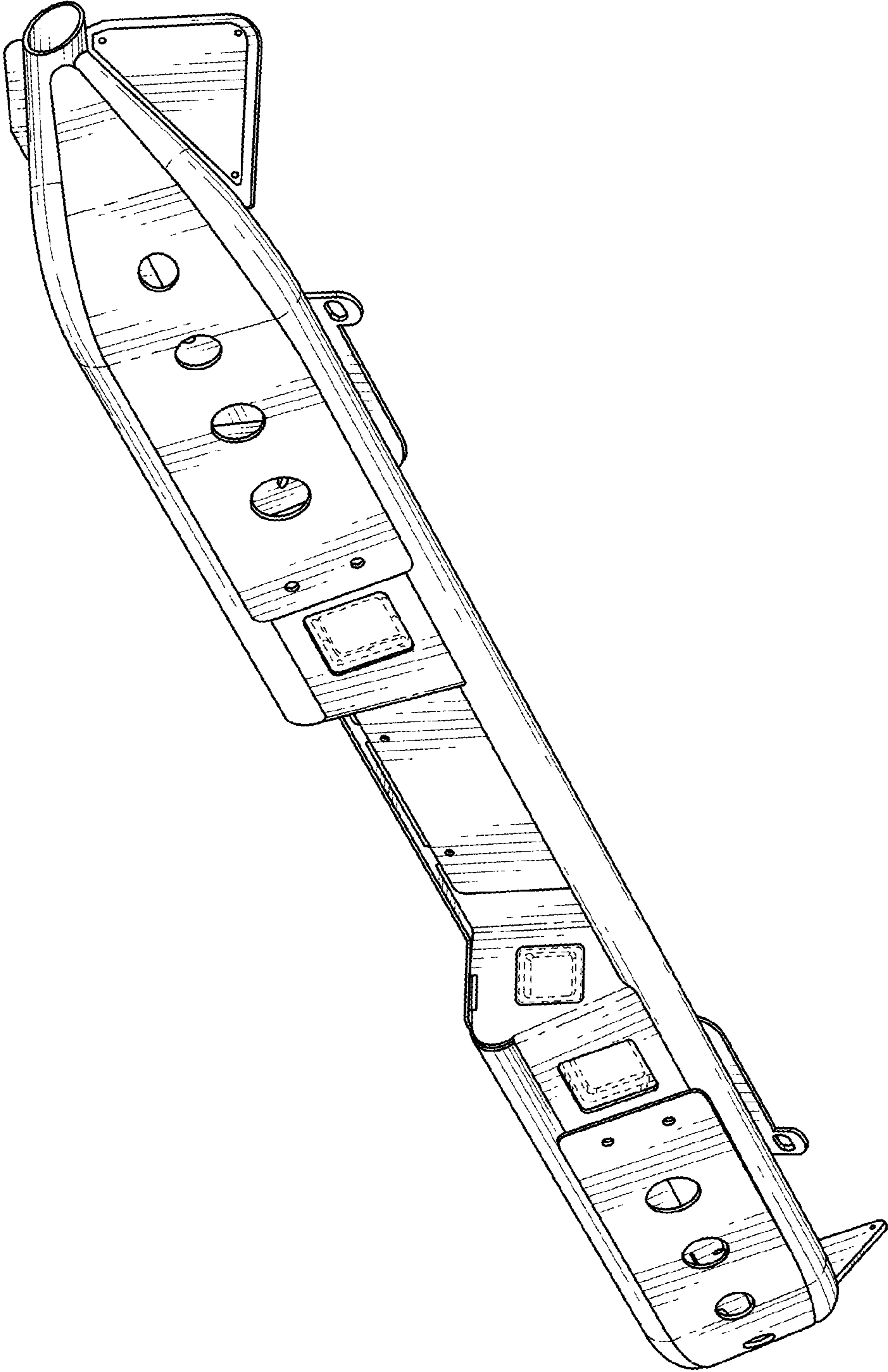


FIG. 7