



US00D761164S

(12) **United States Design Patent**
Platto et al.

(10) **Patent No.:** **US D761,164 S**
(45) **Date of Patent:** **** Jul. 12, 2016**

(54) **VEHICLE REAR LOWER BUMPER COVER**

(71) Applicant: **Ford Motor Company**, Dearborn, MI (US)

(72) Inventors: **Gordon M Platto**, Troy, MI (US);
Bradley A Richards, Beverly Hills, MI (US); **Dong H Park**, Royal Oak, MI (US); **William K Moore**, West Bloomfield, MI (US)

(73) Assignee: **Ford Motor Company**, Dearborn, MI (US)

(**) Term: **14 Years**

(21) Appl. No.: **29/513,860**

(22) Filed: **Jan. 6, 2015**

(51) **LOC (10) Cl.** **12-16**

(52) **U.S. Cl.**
USPC **D12/169**

(58) **Field of Classification Search**
USPC D12/169, 216, 90-92, 86, 171, 196,
D12/163; 293/102, 113, 115, 117, 120;
296/180.1, 180.2
CPC . B60R 19/52; B60R 2019/25; B62D 25/0845
See application file for complete search history.

(56) **References Cited**

U.S. PATENT DOCUMENTS

D738,269 S *	9/2015	Blanski	D12/169
D751,007 S *	3/2016	Curic	D12/169
D751,008 S *	3/2016	Behmer	D12/169
D751,010 S *	3/2016	Behmer	D12/169

* cited by examiner

Primary Examiner — Melody N Brown

(74) *Attorney, Agent, or Firm* — Damian Porcari

(57) **CLAIM**

The ornamental design for a vehicle rear lower bumper cover, as shown and described.

DESCRIPTION

FIG. 1 is a bottom and left side perspective view of the left vehicle rear lower bumper cover (the right vehicle rear lower bumper cover being a mirror image and is not shown); FIG. 2 is a bottom and right side perspective view thereof; FIG. 3 is a top rear and side perspective view thereof; FIG. 4 is a front elevational view thereof; FIG. 5 is a rear elevational view thereof; FIG. 6 is a left side elevational view thereof; FIG. 7 is a right side elevational view thereof; FIG. 8 is a top plan view thereof; and, FIG. 9 is a bottom plan view thereof.

1 Claim, 9 Drawing Sheets

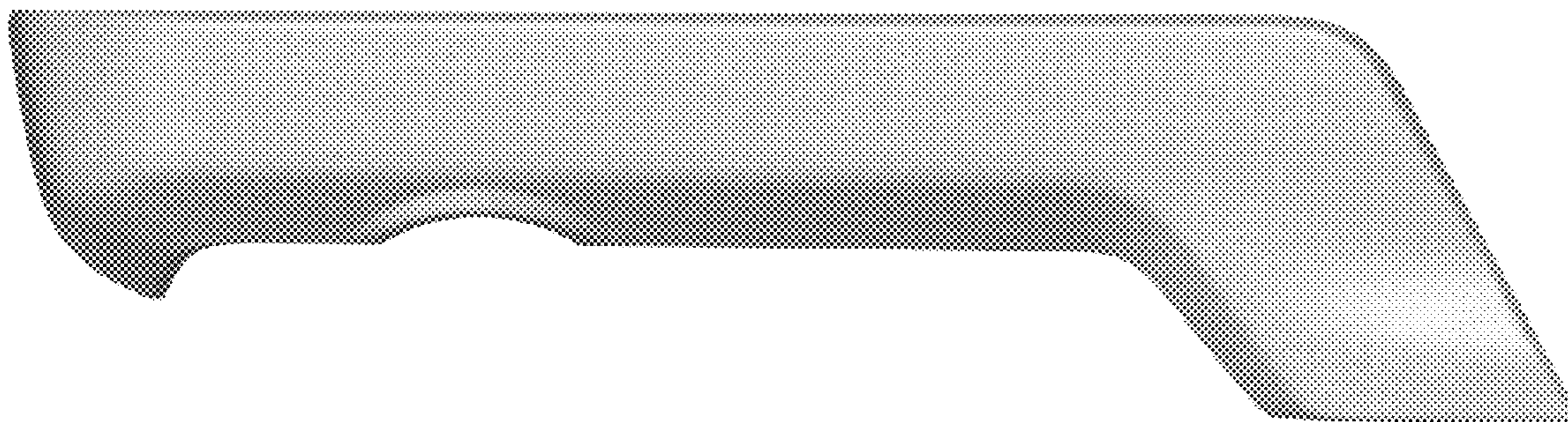


Figure 1



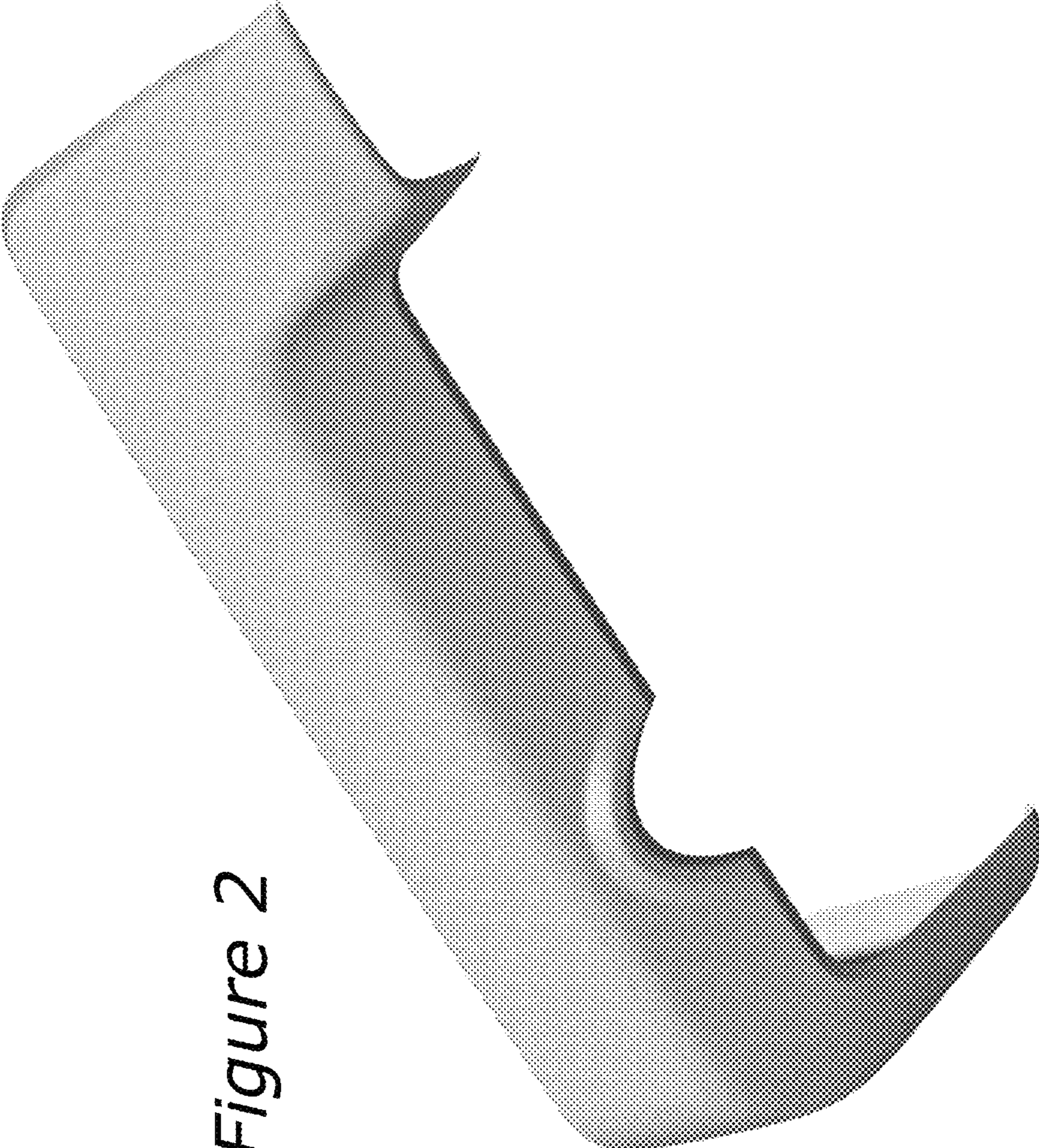


Figure 2

Figure 3



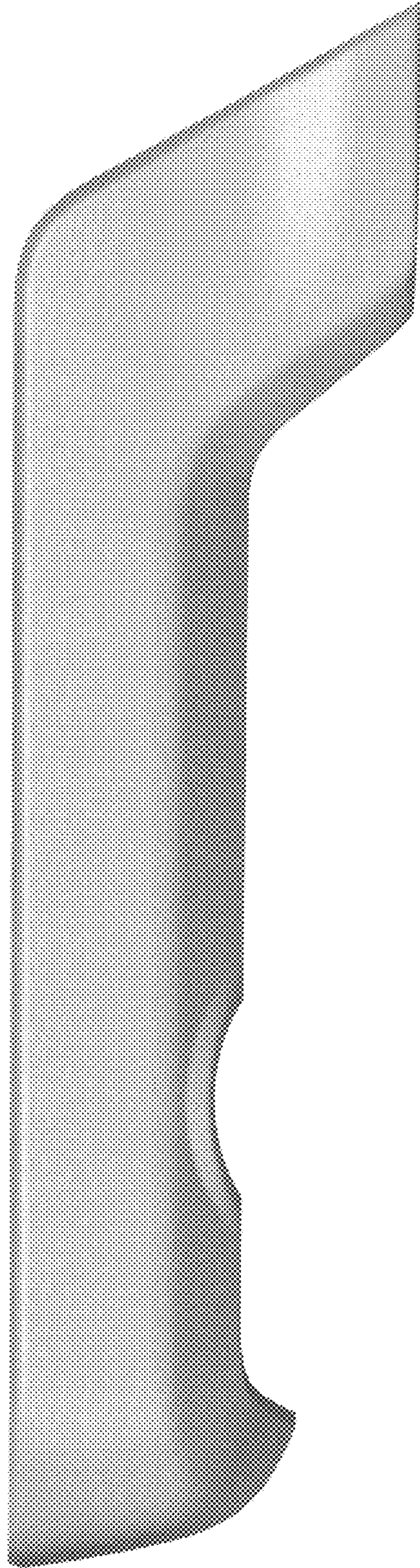


Figure 4

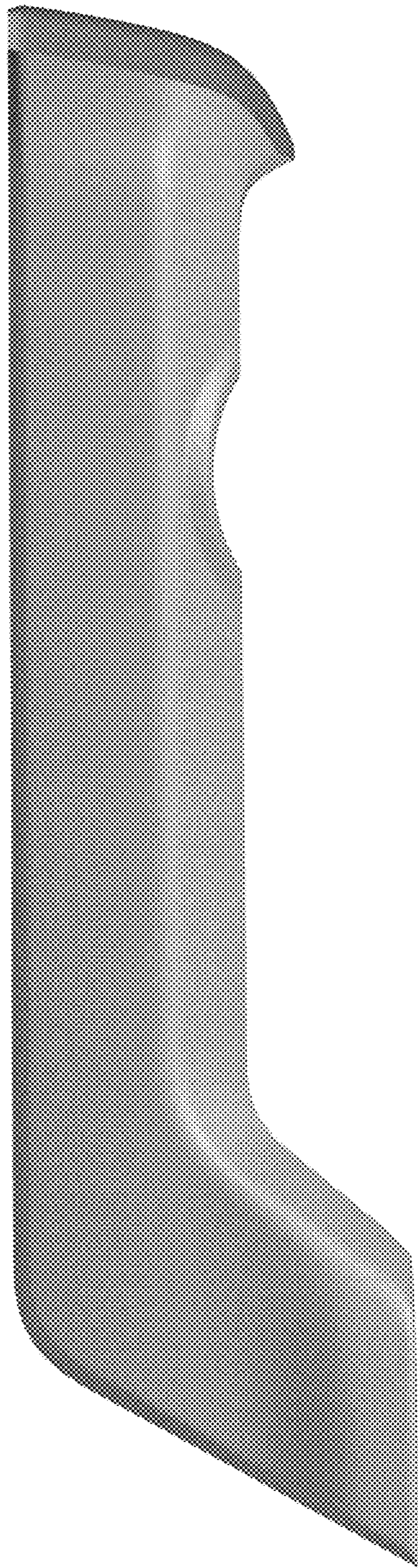


Figure 5

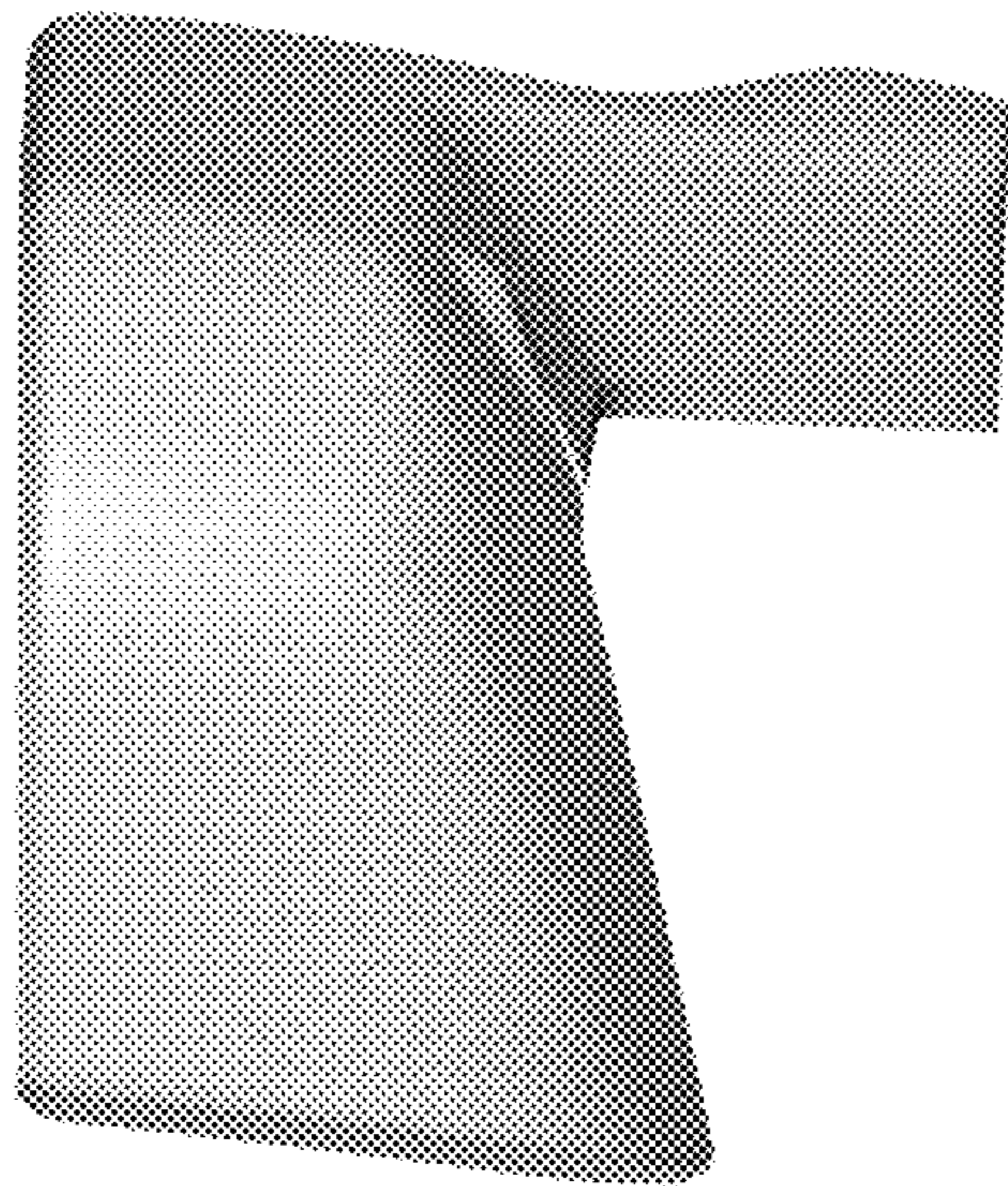


Figure 6

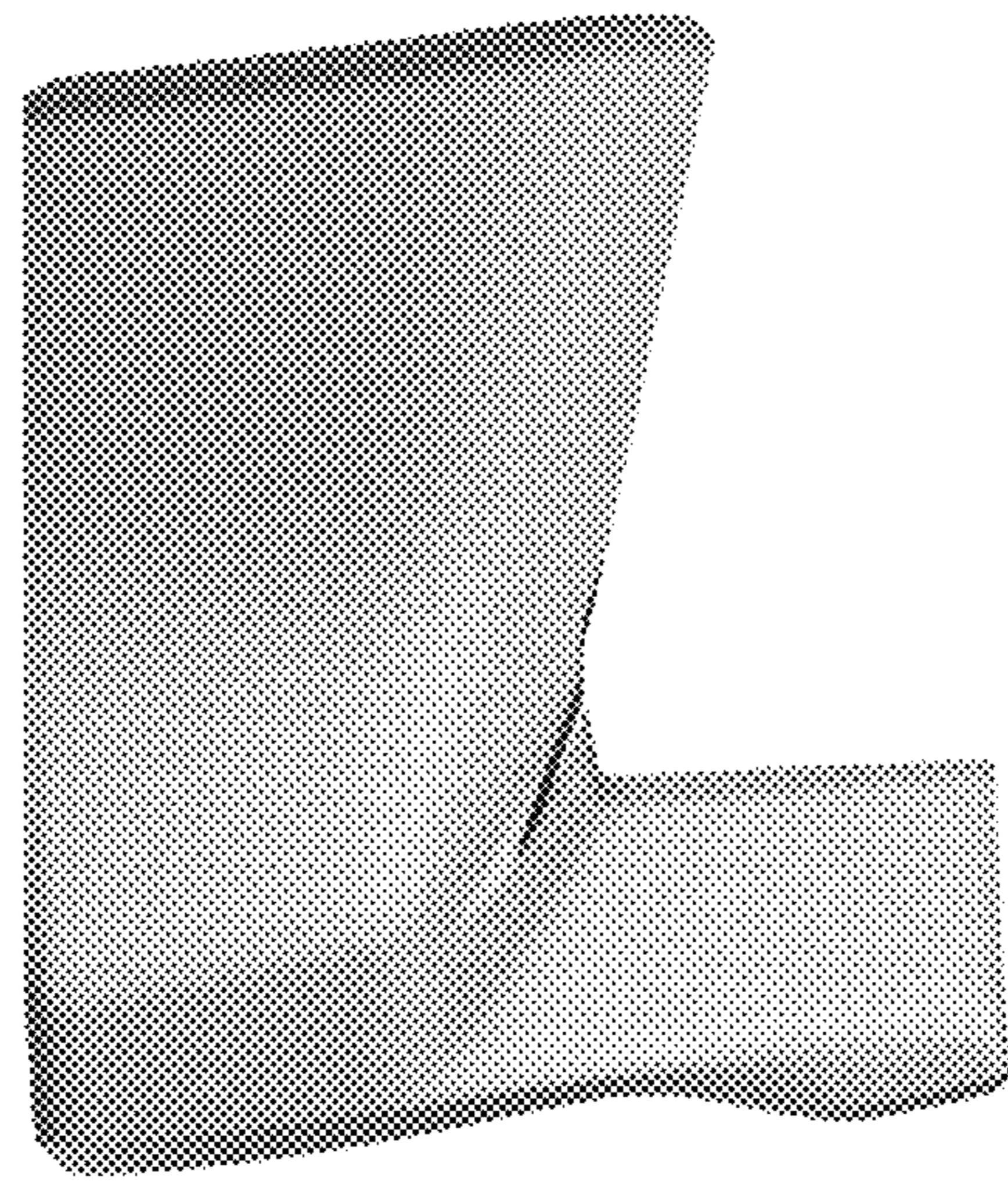


Figure 7

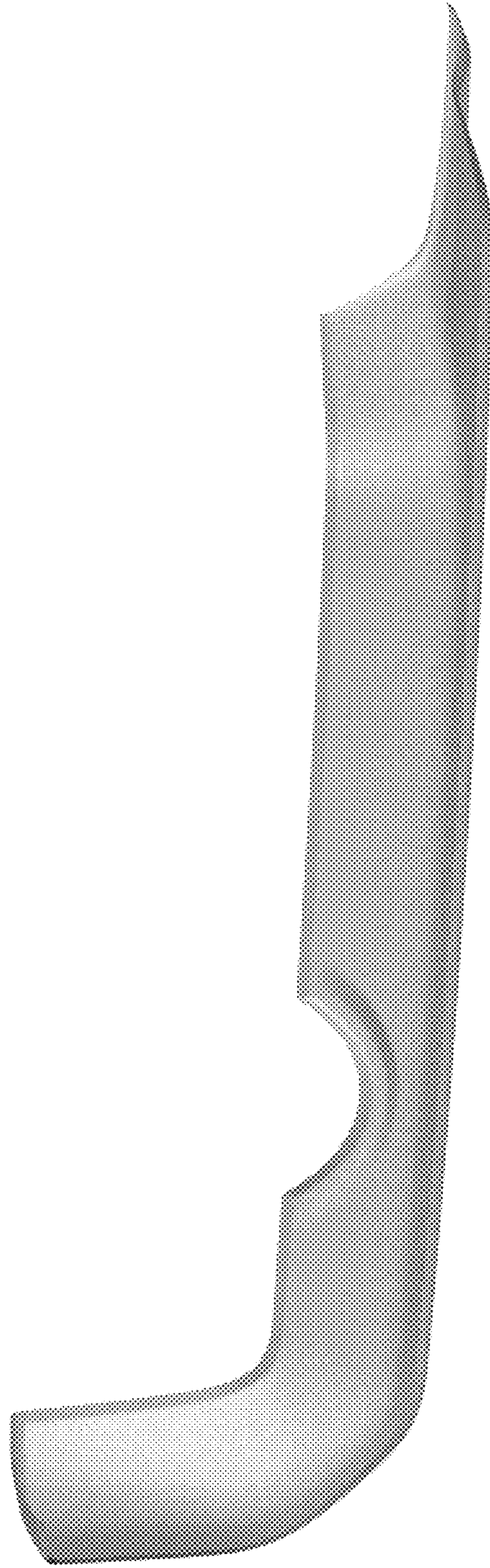


Figure 8

Figure 9

