

US00D761161S

(12) **United States Design Patent**  
**Kent et al.**

(10) **Patent No.:** **US D761,161 S**  
(45) **Date of Patent:** **\*\* \*Jul. 12, 2016**

(54) **WHEELCHAIR**

(75) Inventors: **Richard Vincent Kent**, Portland, OR  
(US); **Wayne Summers**, Seattle, WA  
(US)

(73) Assignee: **Flomed International Limited**,  
Leicester (GB)

(\*) Notice: This patent is subject to a terminal disclaimer.

(\*\*) Term: **14 Years**

(21) Appl. No.: **29/406,560**

(22) Filed: **Nov. 16, 2011**

(51) **LOC (10) Cl.** ..... **12-12**

(52) **U.S. Cl.**  
USPC ..... **D12/133**

(58) **Field of Classification Search**  
USPC ..... D12/128-133; 280/62, 647-650, 29,  
280/200, 47.38, 250.1, 259, 642, 658, 220  
CPC ..... A61G 5/00-5/14  
See application file for complete search history.

(56) **References Cited**

**U.S. PATENT DOCUMENTS**

D180,911 S \* 9/1957 Leslie et al. .... D12/128  
3,930,662 A \* 1/1976 Manner ..... 280/648

D413,086 S \* 8/1999 Brotherston ..... D12/133  
D427,949 S \* 7/2000 Schlangen ..... D12/131  
7,641,210 B2 \* 1/2010 Babcock et al. .... 280/250.1  
7,766,342 B2 \* 8/2010 Fast et al. .... 280/5.28  
8,186,695 B2 \* 5/2012 Moller ..... 280/47.4

\* cited by examiner

*Primary Examiner* — Ian Simmons

*Assistant Examiner* — Charles Hanson

(74) *Attorney, Agent, or Firm* — Tracy M. Heims; Apex  
Juris, PLLC

(57) **CLAIM**

The ornamental design for a wheelchair, as shown and described.

**DESCRIPTION**

FIG. 1 is a perspective view of a wheelchair showing our new design;

FIG. 2 is a close up view thereof;

FIG. 3 is an exploded elevation view thereof;

FIG. 4 is a close up view of a clip portion of the design of FIG. 1;

FIG. 5 is an exploded plan view of the design of FIG. 1;

FIG. 6 is a side view thereof;

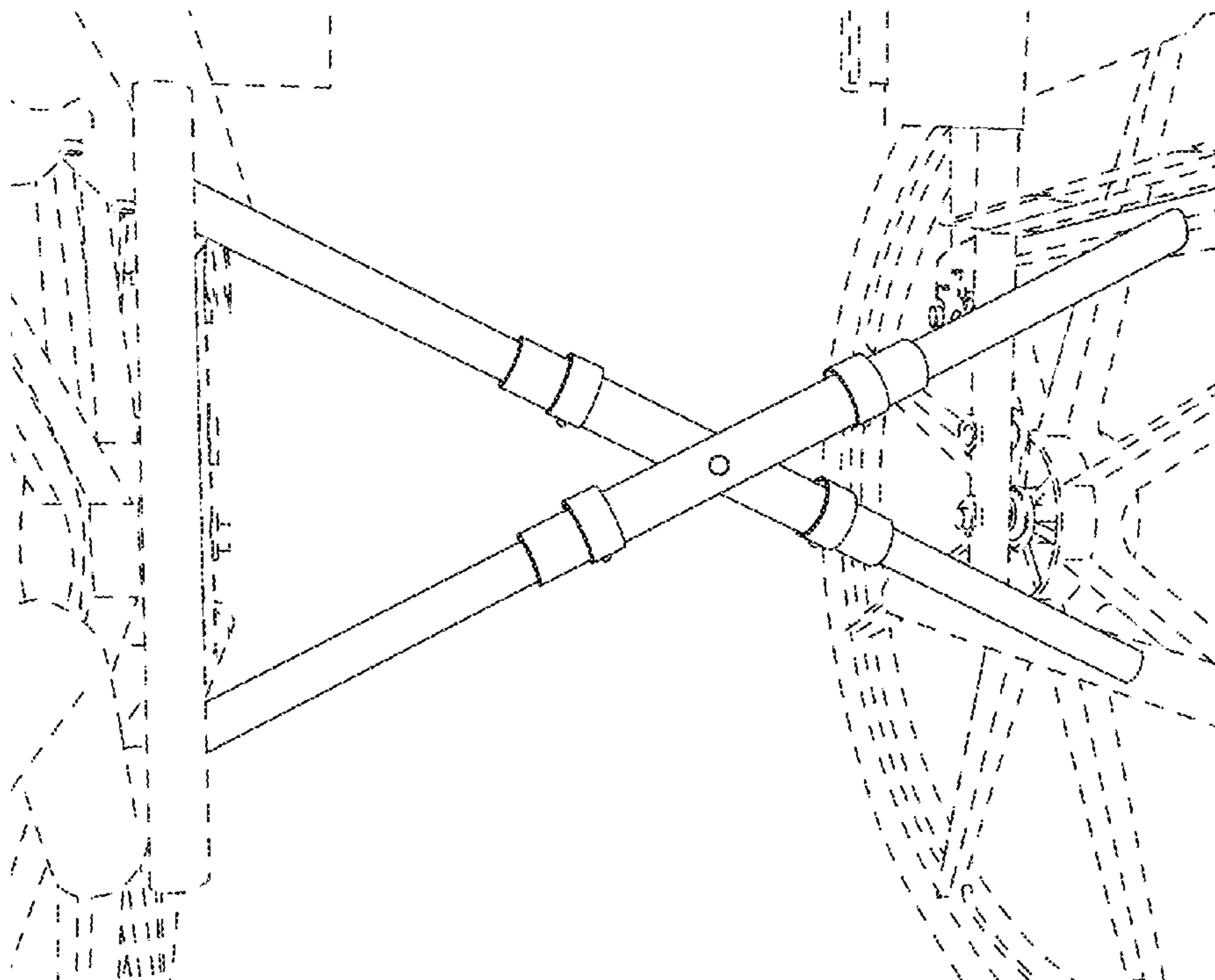
FIG. 7 is a top view thereof;

FIG. 8 is a front view thereof; and,

FIG. 9 is a top view thereof;

The broken line showing is included for the purpose of illustrating environment and forms no part of the claimed design.

**1 Claim, 9 Drawing Sheets**



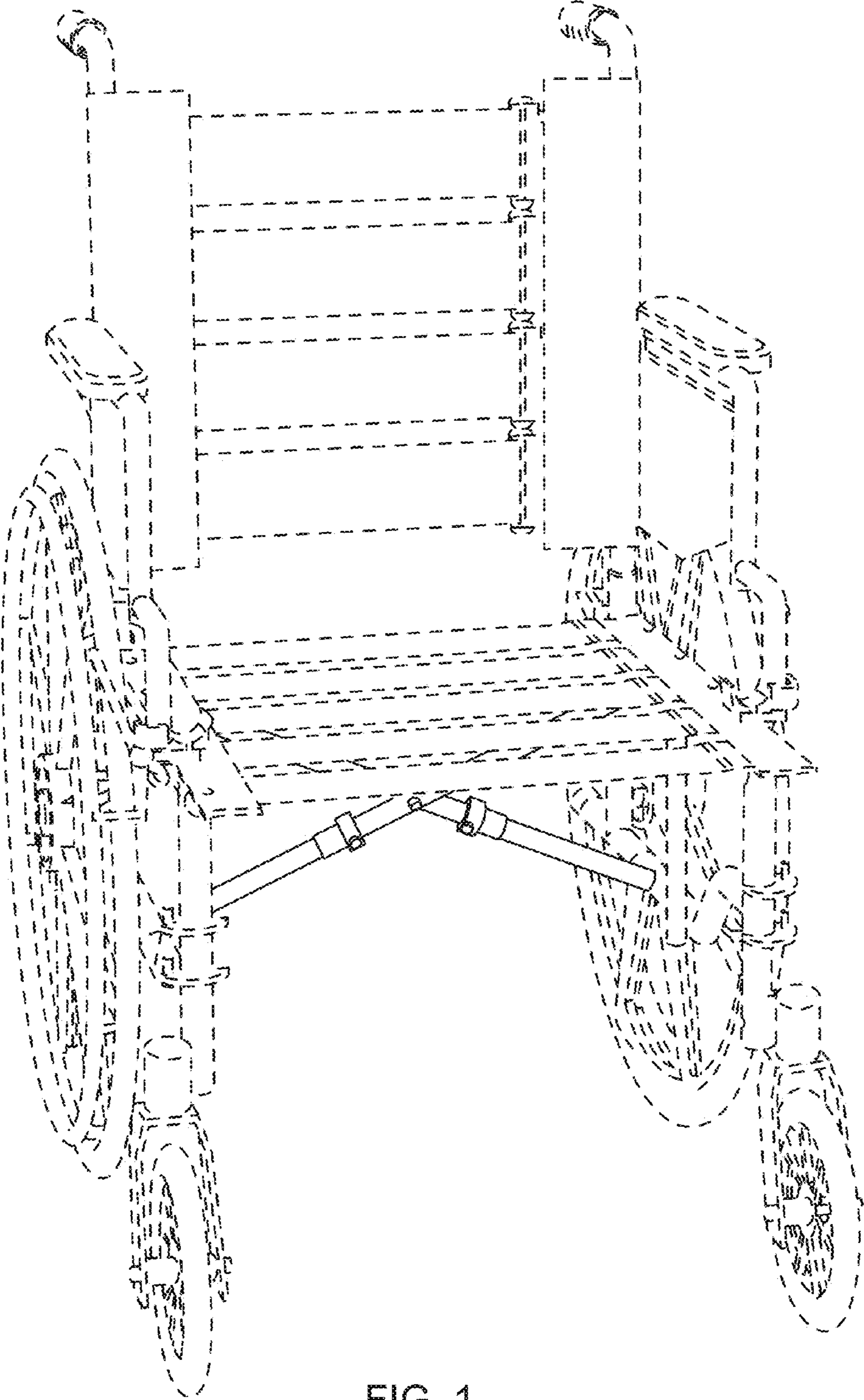


FIG. 1

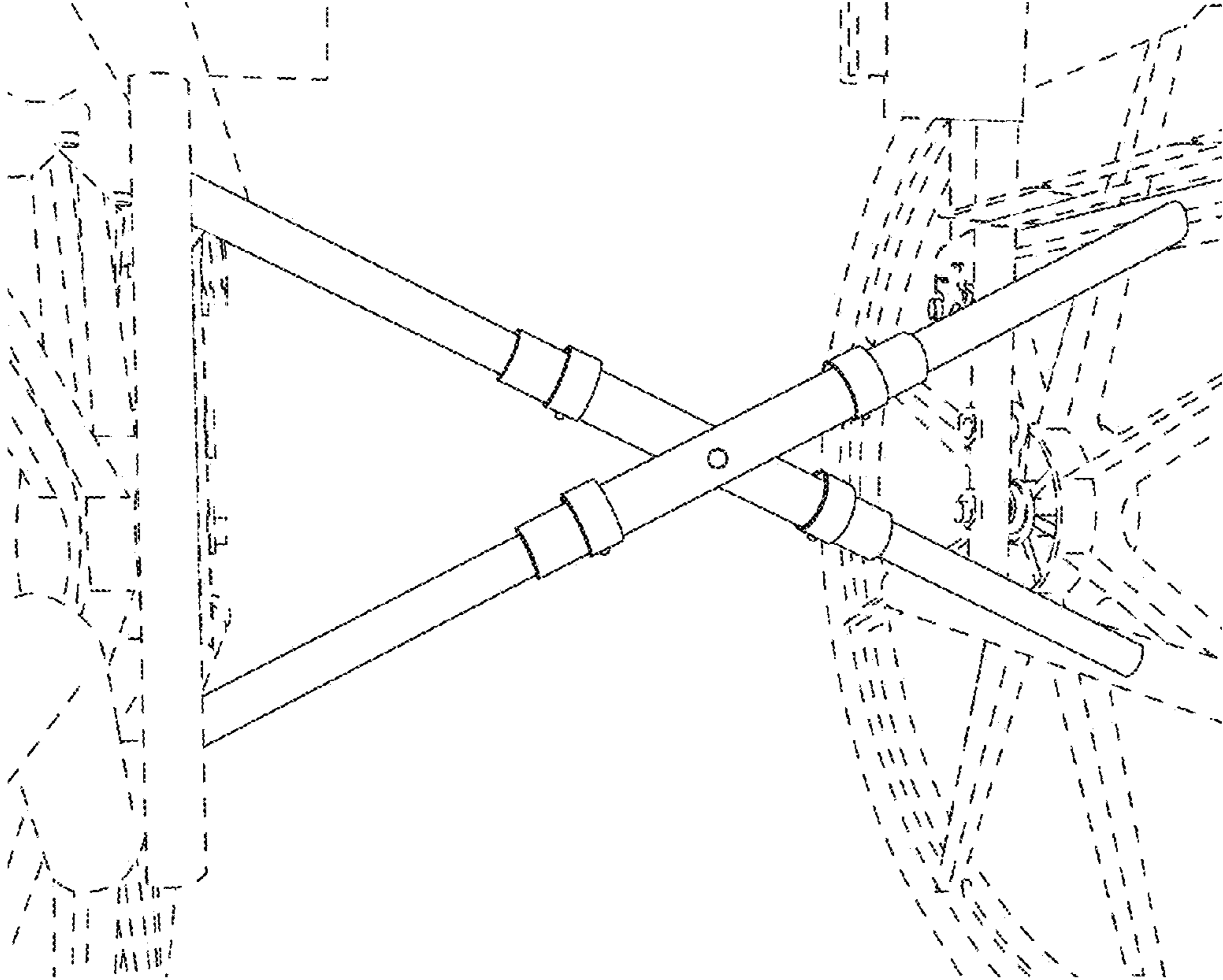


FIG. 2

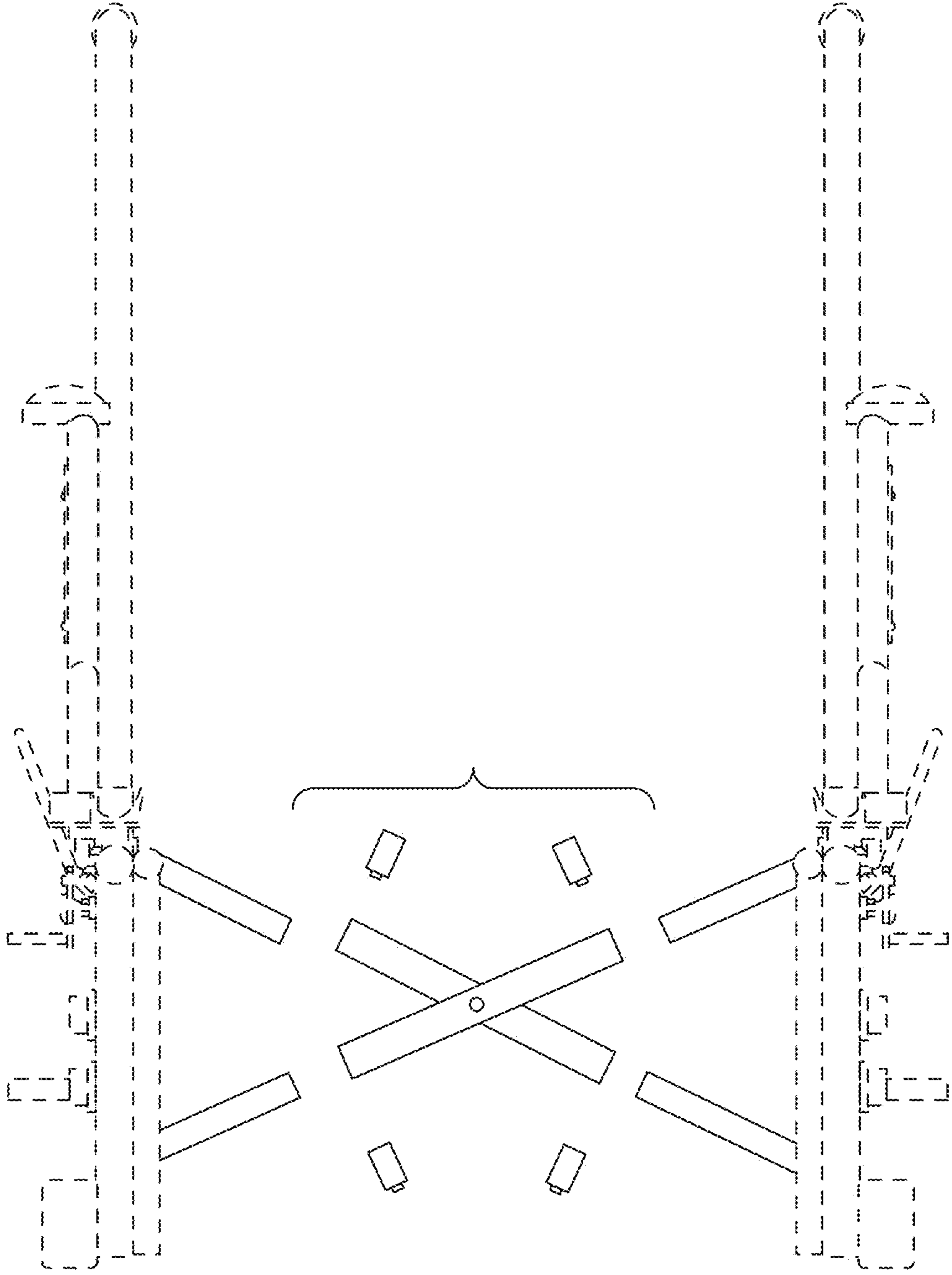


FIG. 3

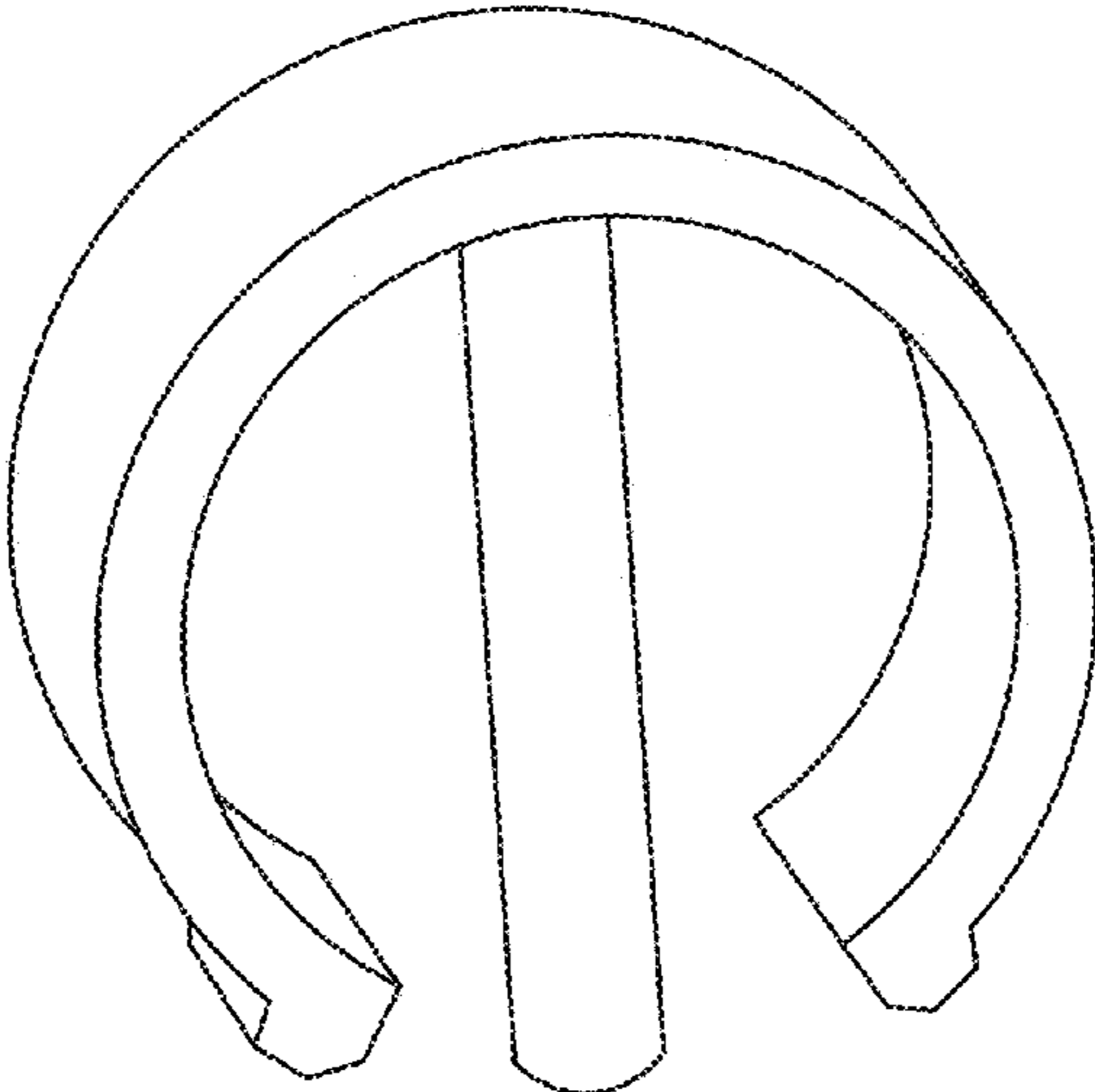


FIG. 4

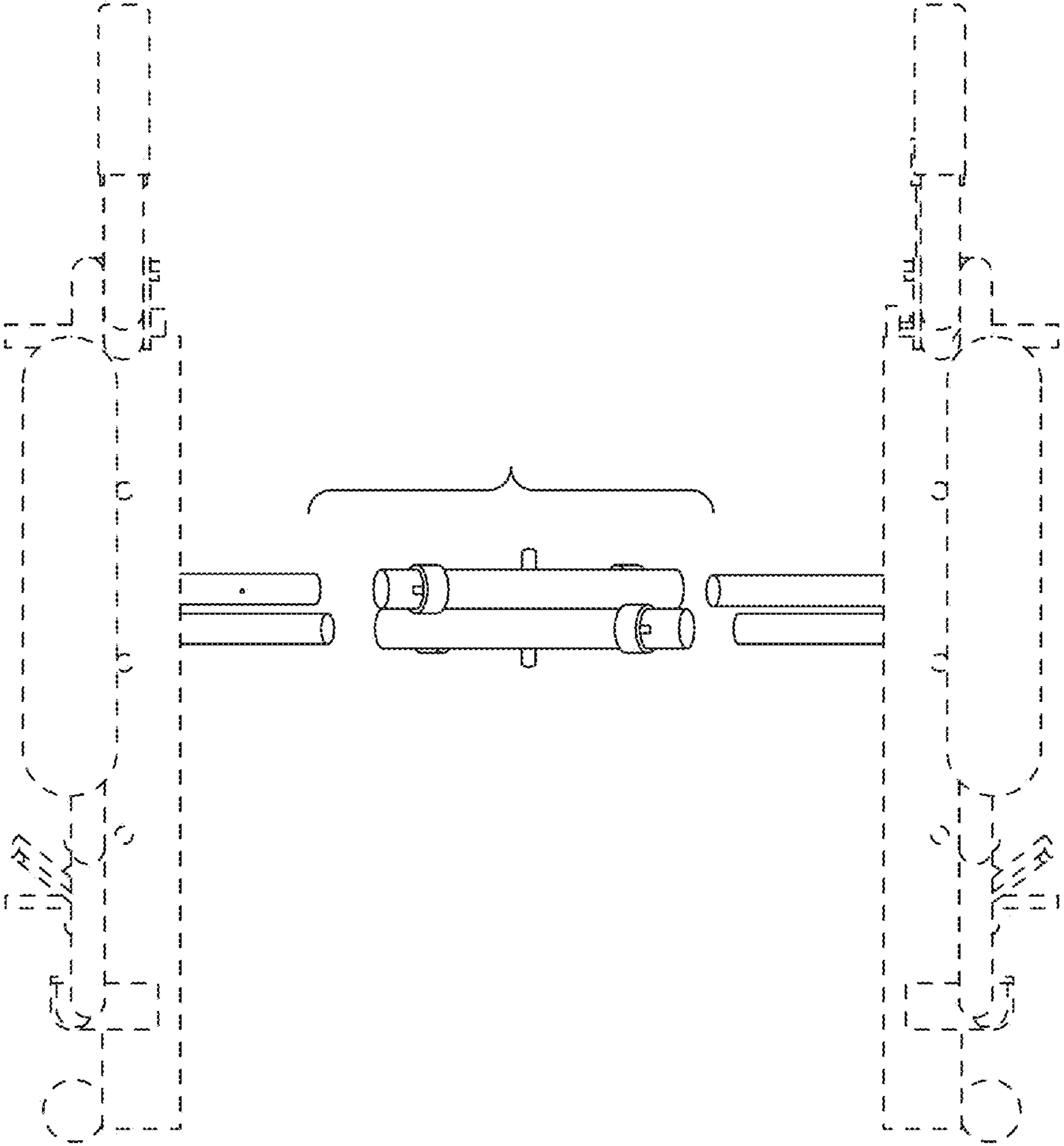


FIG. 5

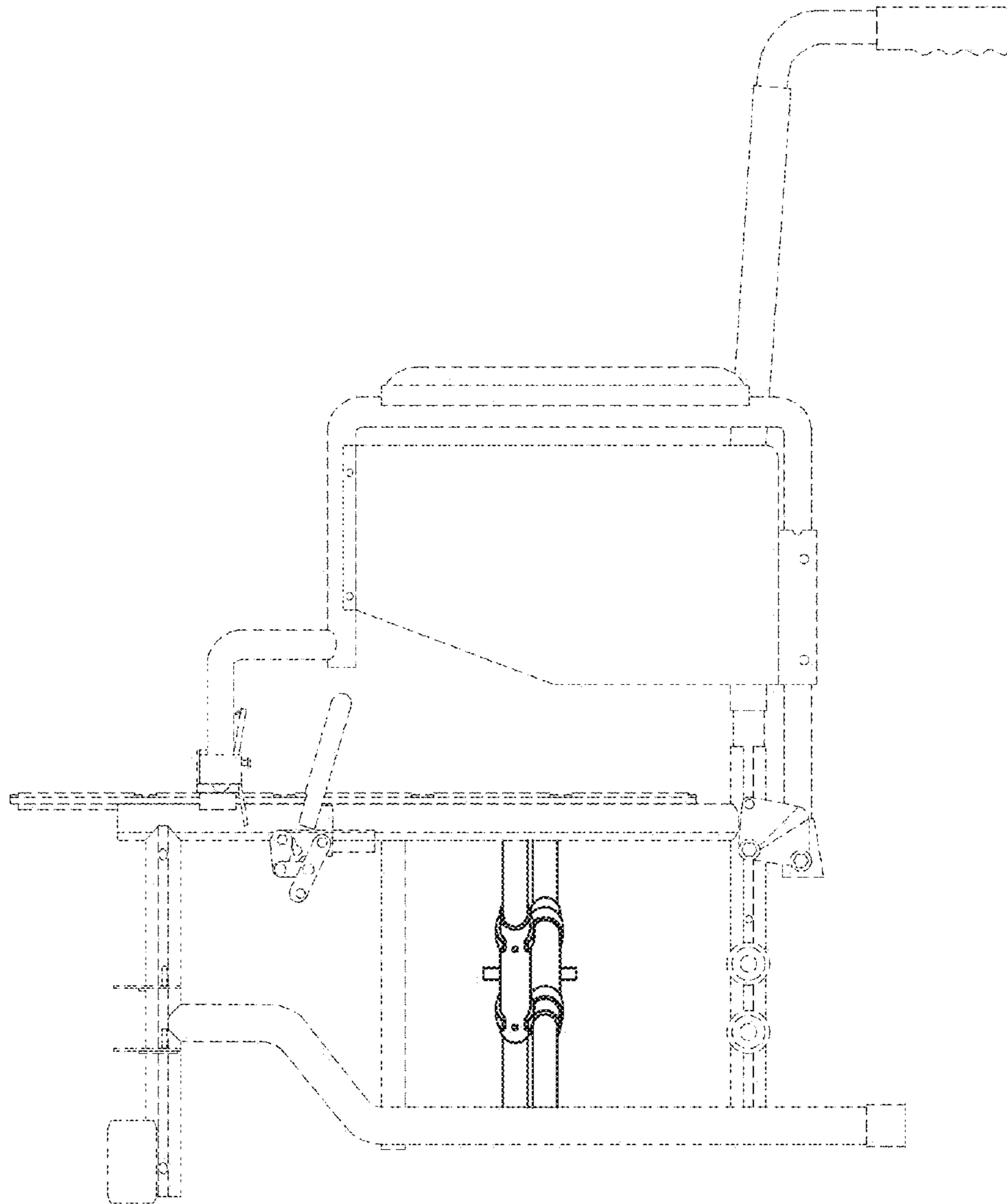


FIG. 6

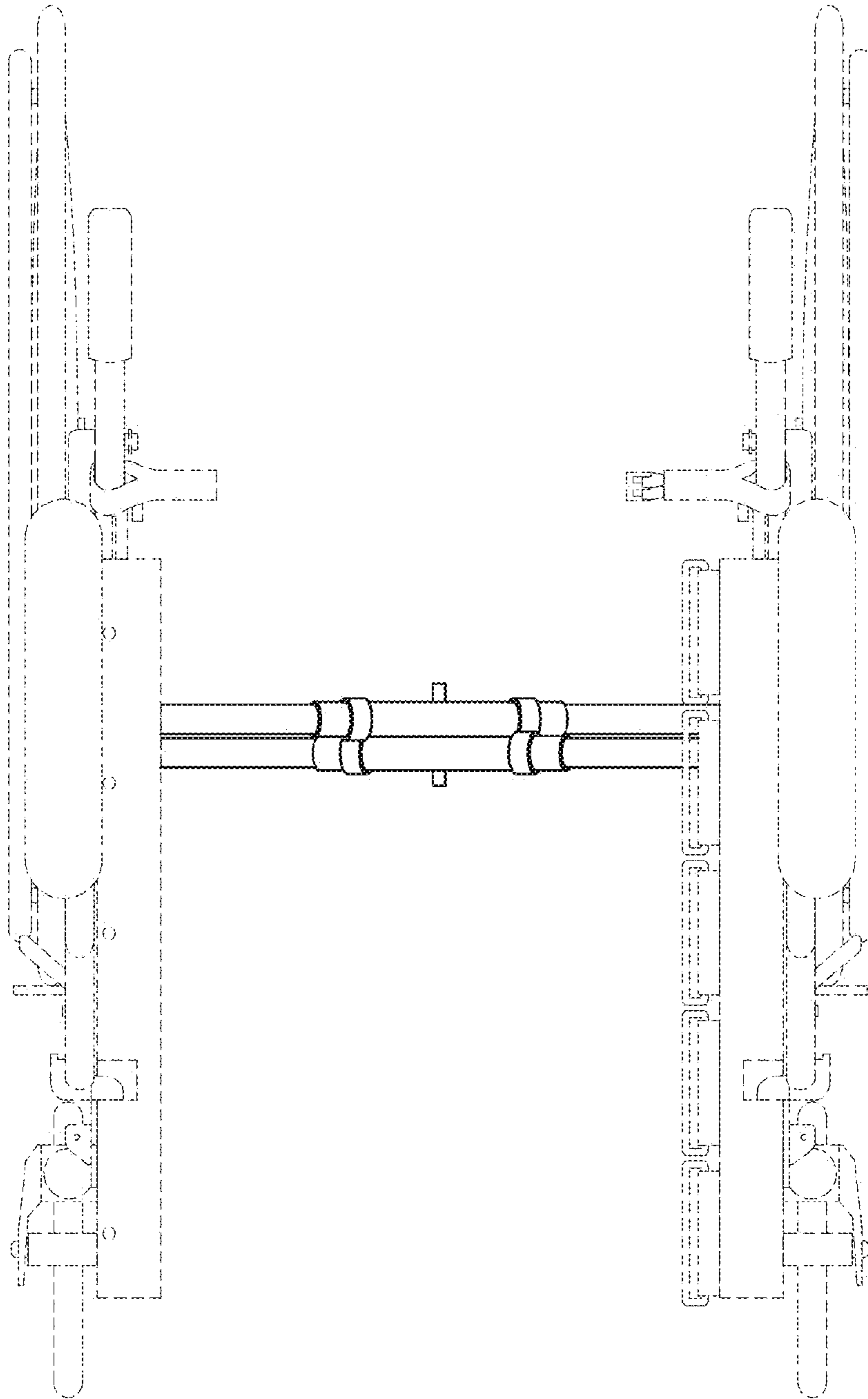


FIG. 7



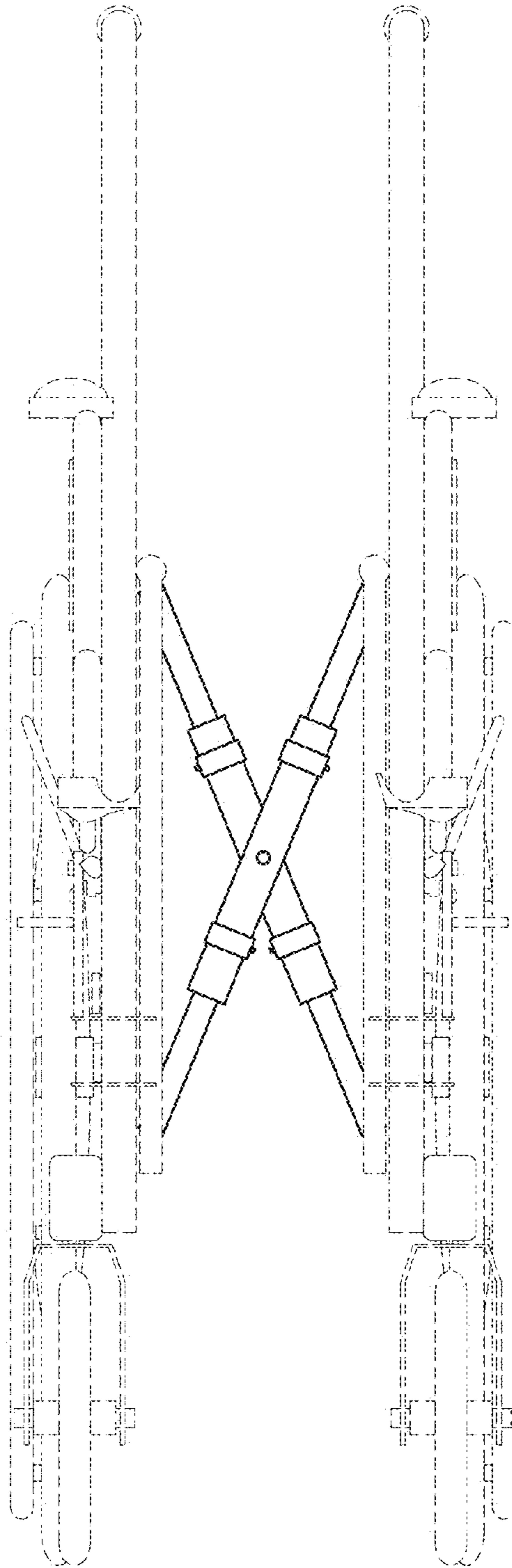


FIG. 8

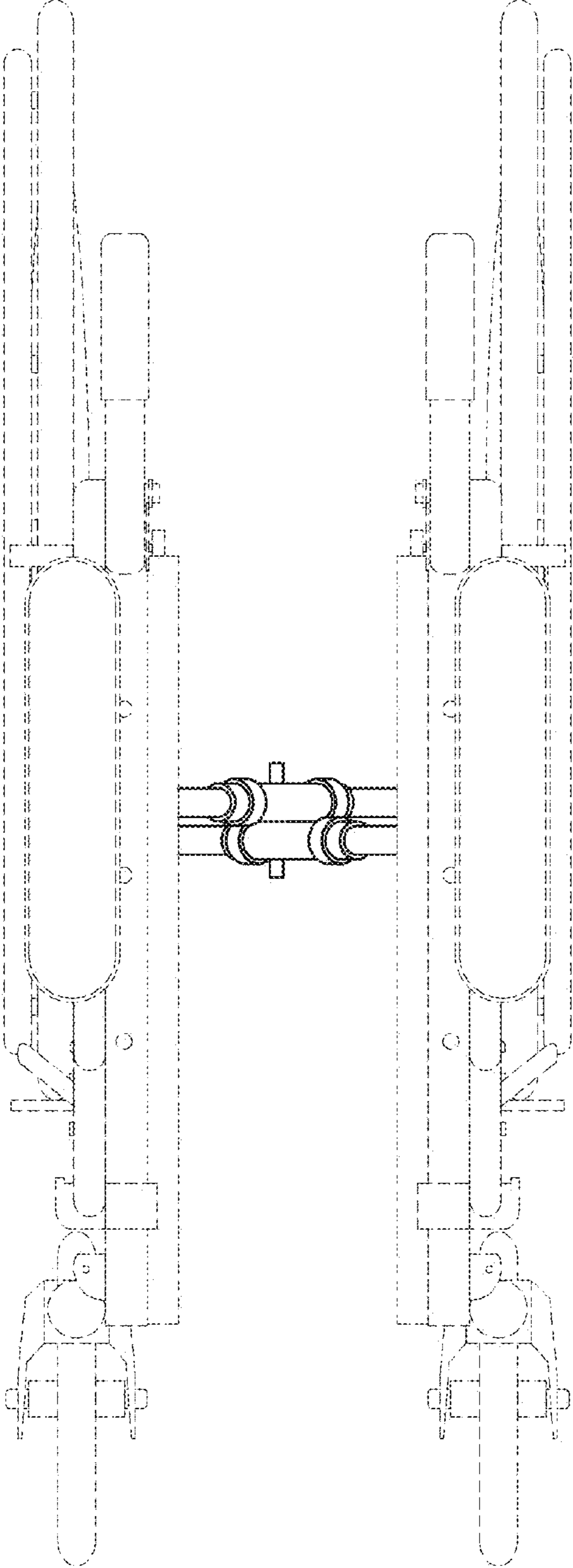


FIG. 9