



US00D761158S

(12) **United States Design Patent**  
**Riviere**

(10) **Patent No.:** **US D761,158 S**

(45) **Date of Patent:** **\*\* \*Jul. 12, 2016**

(54) **CUFFLINK**

(71) Applicant: **HARRY WINSTON SA,**  
Plan-les-Ouates (CH)

(72) Inventor: **Dominique Riviere,** New York, NY (US)

(73) Assignee: **HARRY WINSTON SA,**  
Plan-les-Ouates (CH)

(\*) Notice: This patent is subject to a terminal disclaimer.

(\*\*) Term: **14 Years**

(21) Appl. No.: **29/504,871**

(22) Filed: **Oct. 10, 2014**

(30) **Foreign Application Priority Data**

Apr. 10, 2014 (WO) ..... DM/083390

(51) **LOC (10) Cl.** ..... **02-07**

(52) **U.S. Cl.**  
USPC ..... **D11/222**

(58) **Field of Classification Search**  
USPC ..... D11/200–217, 222–230, 30;  
24/41.1–48, 66.4–66.6, 97, 100, 101 R,  
24/102 PL; 63/20; D8/382–383; 362/103  
CPC ..... A44C 1/00; A43B 1/0036; A44B 5/00;  
A44B 19/24; A44B 5/02; A44B 6/00; A44B  
5/002; A44B 3/02; A41F 17/00; F16G 11/00  
See application file for complete search history.

(56) **References Cited**

**U.S. PATENT DOCUMENTS**

1,449,296 A \* 3/1923 Roberts ..... A44B 5/00  
24/101 R  
1,602,747 A \* 10/1926 Brown ..... A44B 3/04  
24/100  
2,123,790 A \* 7/1938 Mix ..... A44B 5/002  
24/102 PL

D140,726 S \* 4/1945 Collura ..... D11/226  
2,665,465 A \* 1/1954 Albrecht ..... A44B 5/002  
24/97  
2,793,415 A \* 5/1957 Respini ..... A44B 5/002  
24/100  
D355,396 S \* 2/1995 Andrau ..... D11/222  
D397,064 S \* 8/1998 Nelson ..... D11/222  
D415,068 S \* 10/1999 Calvani ..... D11/222  
D449,015 S \* 10/2001 Dror ..... D11/222  
D479,488 S \* 9/2003 Stewart-Stand ..... D11/226  
D561,643 S \* 2/2008 Bruni ..... D11/222  
D565,462 S \* 4/2008 Stewart-Stand ..... D11/222  
D625,659 S \* 10/2010 Sawyer ..... D11/222  
D670,594 S \* 11/2012 Yu ..... D11/30  
D708,548 S \* 7/2014 Lasserre ..... D11/222  
D729,690 S \* 5/2015 Riviere ..... D11/222

**OTHER PUBLICATIONS**

U.S. Appl. No. 29/485,597 for Cufflink filed Mar. 20, 2014, inventor Dominique Riviere.  
U.S. Appl. No. 29/485,603 for Shirt Stud filed Mar. 20, 2014, inventor Dominique Riviere.

\* cited by examiner

*Primary Examiner* — T. Chase Nelson

*Assistant Examiner* — Mark Cavanna

(74) *Attorney, Agent, or Firm* — Donald J. Ranft; Kristen A. Mogavero; Collen IP

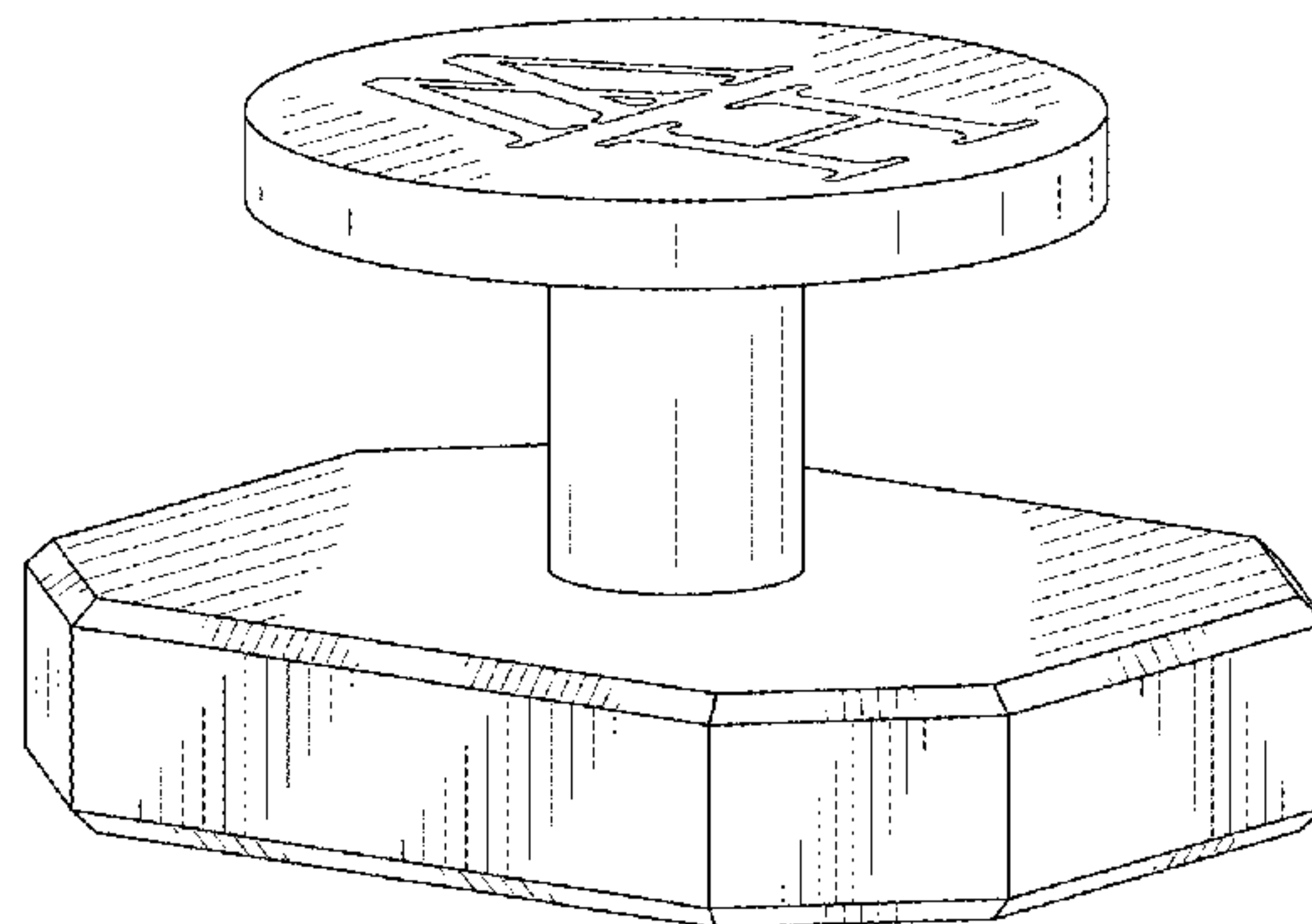
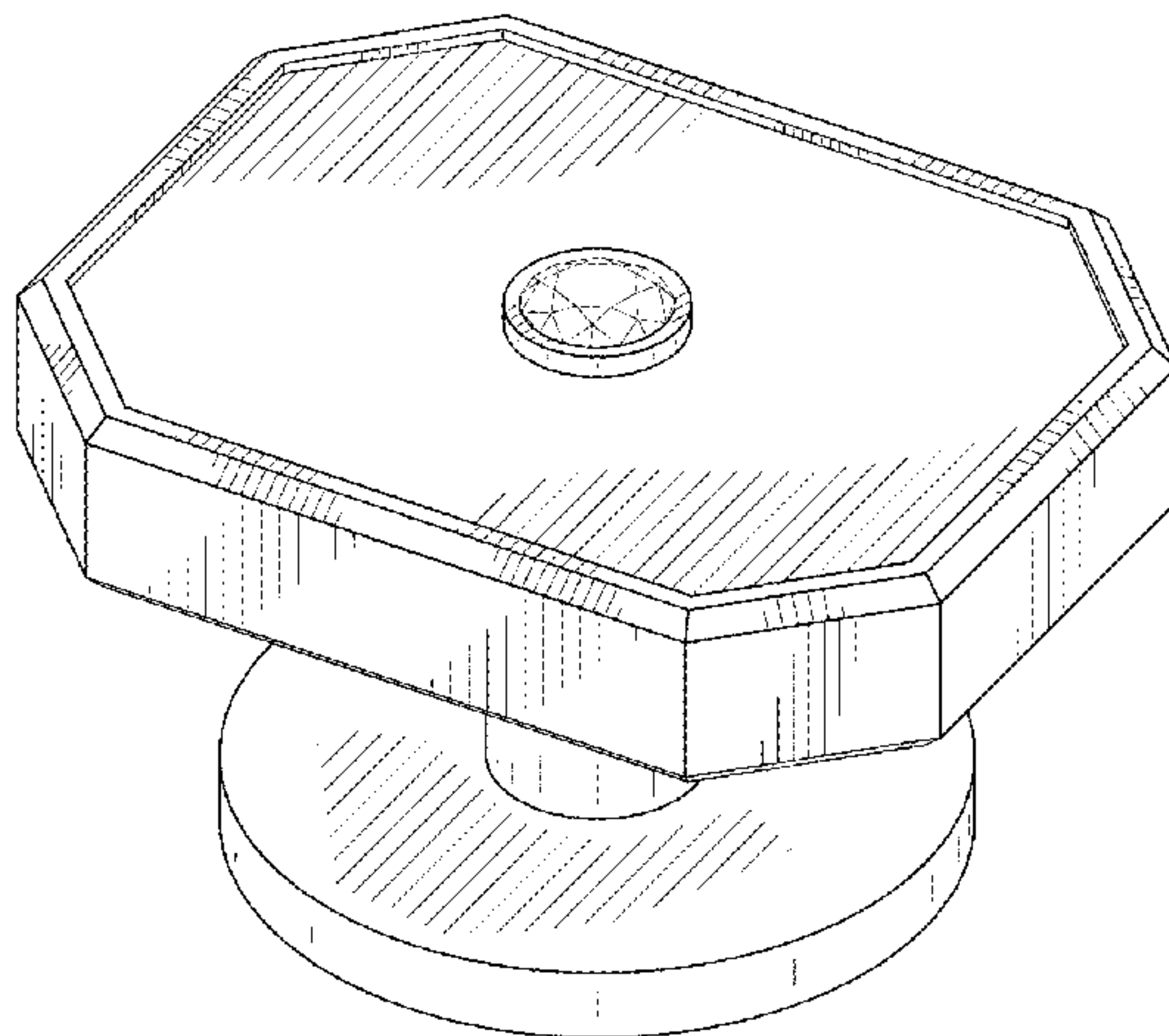
(57) **CLAIM**

The ornamental design for a cufflink, as shown.

**DESCRIPTION**

FIG. 1 is a top perspective view of a cufflink showing my new design;  
FIG. 2 is a bottom perspective view thereof;  
FIG. 3 is a top view thereof;  
FIG. 4 is a bottom view thereof;  
FIG. 5 is a side view thereof; and,  
FIG. 6 is a front/rear view thereof.

**1 Claim, 3 Drawing Sheets**



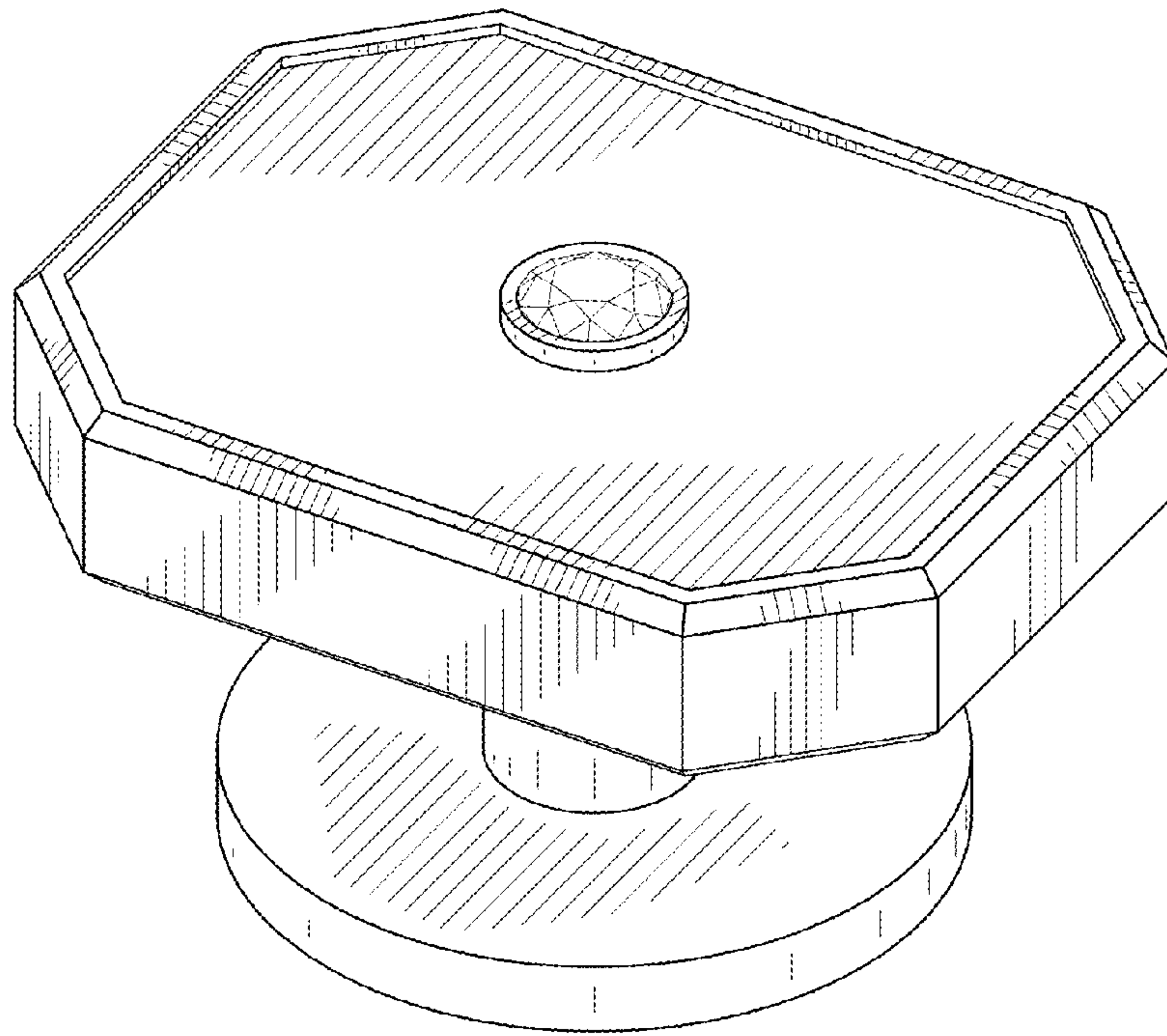


FIG. 1

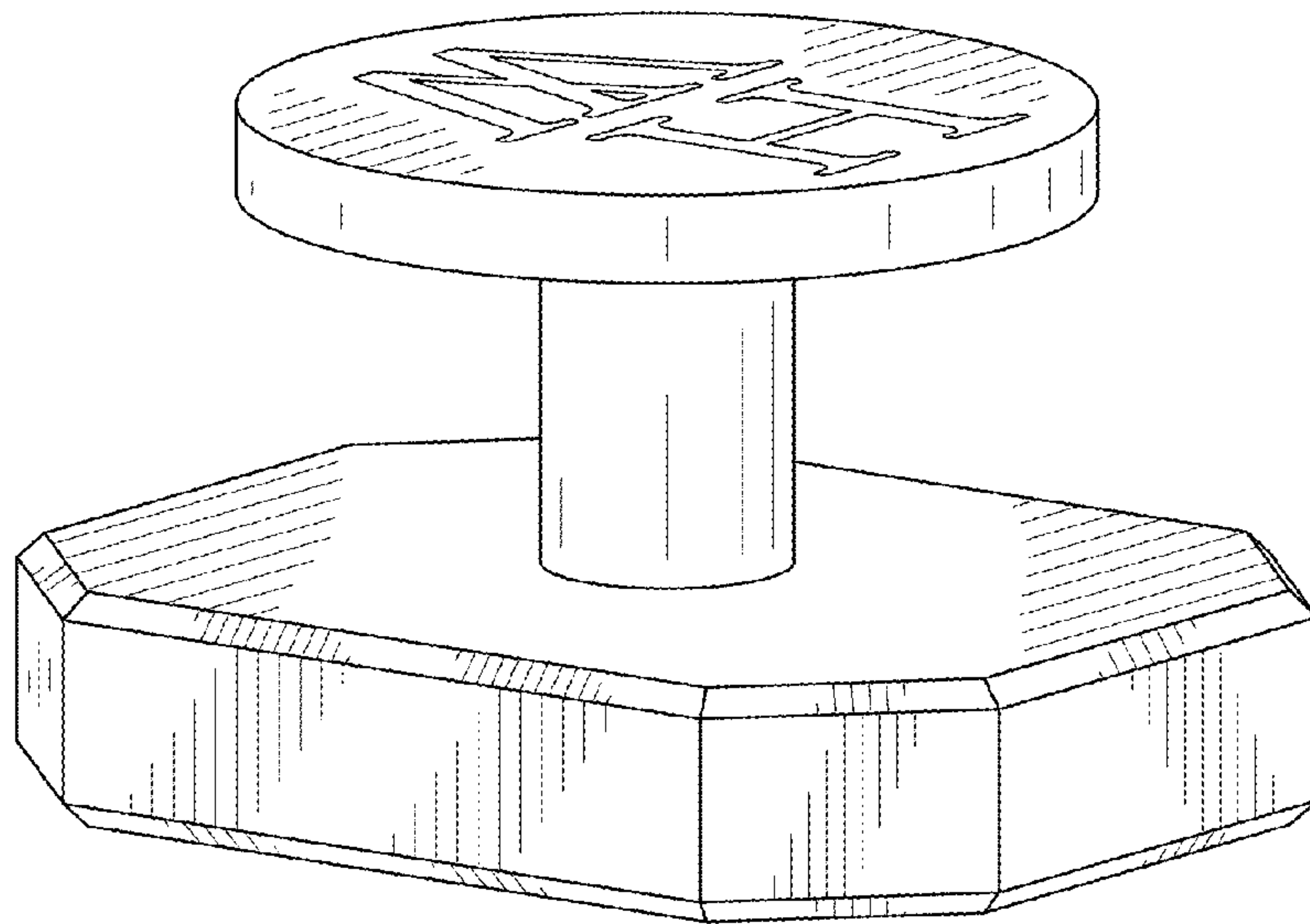


FIG. 2

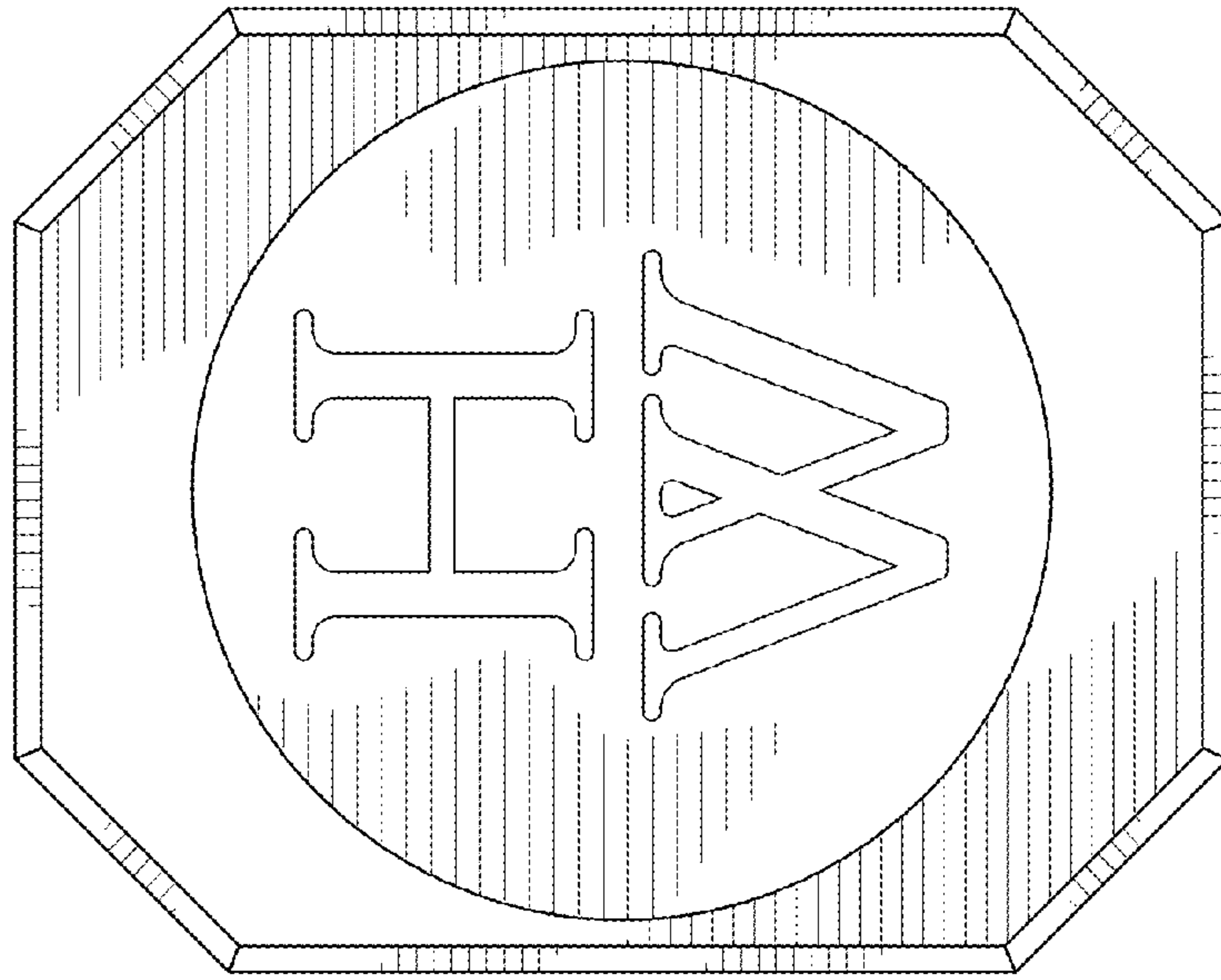


FIG. 4

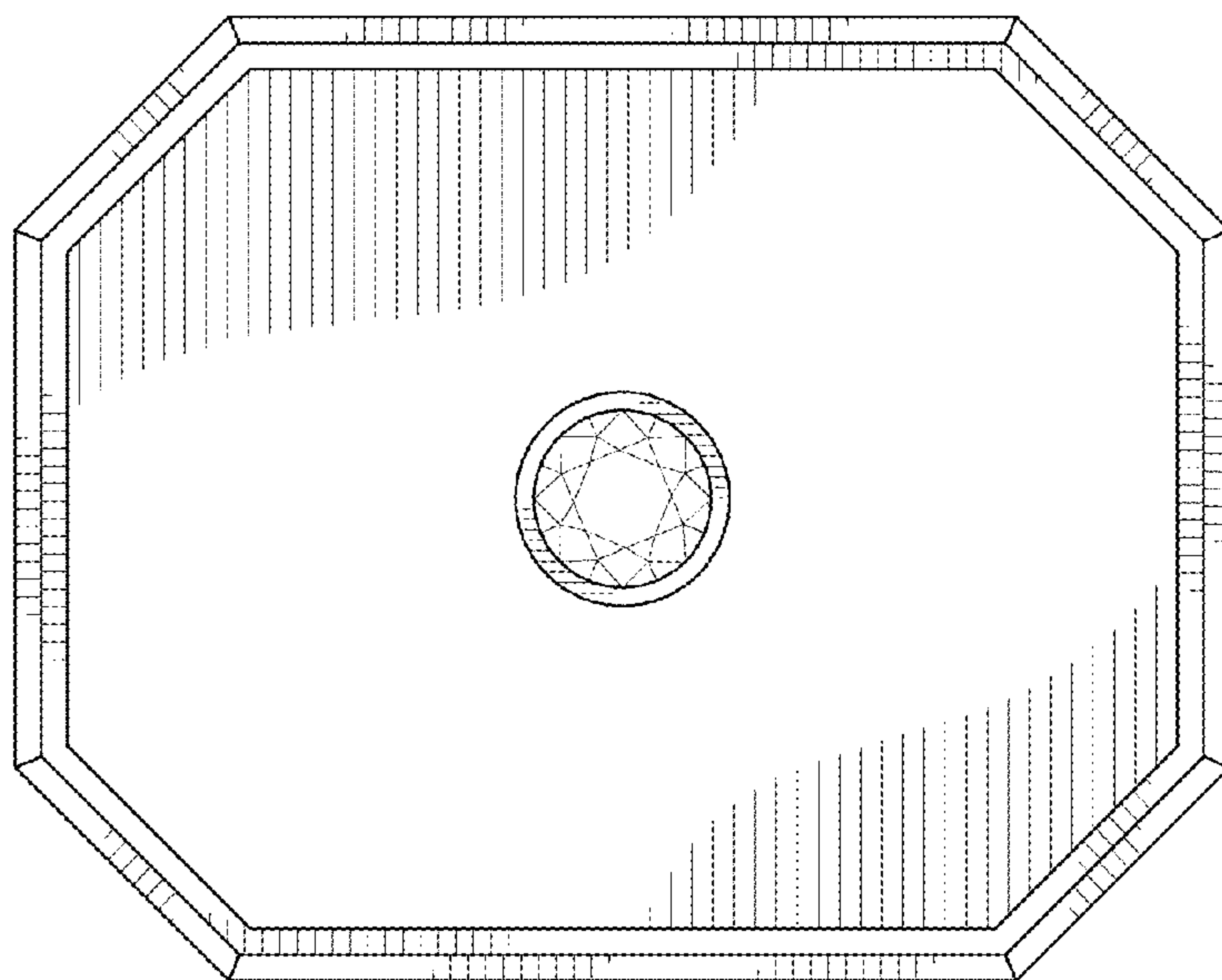


FIG. 3

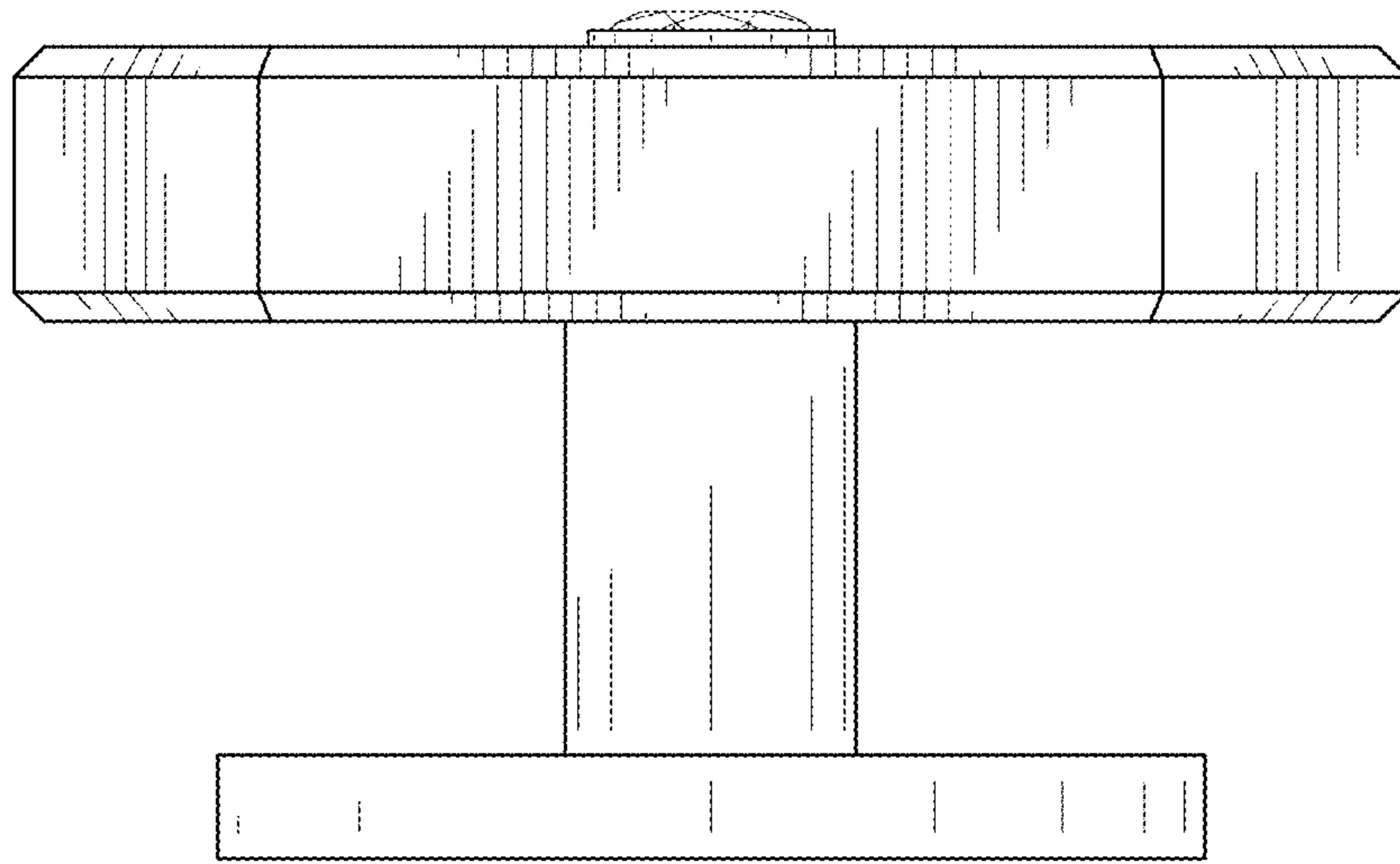


FIG. 5

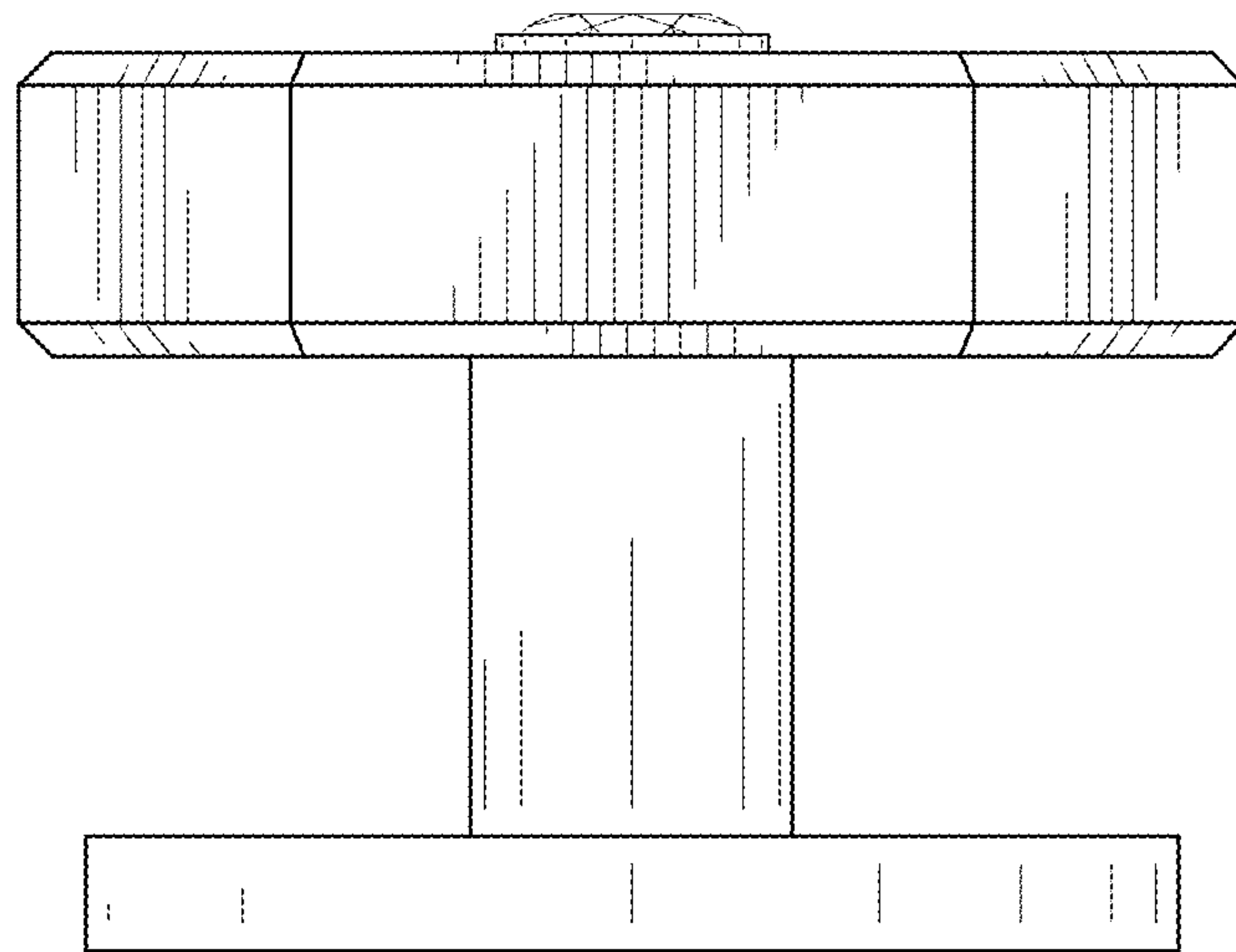


FIG. 6