

US00D761153S

(12) **United States Design Patent**
Agar

(10) **Patent No.:** **US D761,153 S**
(45) **Date of Patent:** **** Jul. 12, 2016**

(54) **PLANTER**
(71) Applicant: **Graydon Lansford Agar**, Seattle, WA
(US)
(72) Inventor: **Graydon Lansford Agar**, Seattle, WA
(US)
(**) Term: **14 Years**
(21) Appl. No.: **29/518,634**
(22) Filed: **Feb. 25, 2015**
(51) **LOC (10) Cl.** **11-02**
(52) **U.S. Cl.**
USPC **D11/143**
(58) **Field of Classification Search**
USPC D6/403-405, 556-558, 683;
D11/143-156, 164; D7/587; D9/432
CPC A01G 9/02; A01G 9/021; A01G 9/022;
A01G 9/023; A01G 9/024; A01G 9/028;
A01G 9/04; A01G 9/042; A01G 9/10; A01G
9/12
See application file for complete search history.

4,899,487 A * 2/1990 Brownlee A47F 7/0071
47/41.01
4,936,470 A * 6/1990 Prindle A47J 47/16
211/104
D312,522 S * 11/1990 Brosius D34/1
D332,631 S * 1/1993 Klodt D19/75
D332,681 S * 1/1993 Waterson D34/7
D348,418 S * 7/1994 White-Wexler D11/155
D356,829 S * 3/1995 Russomano D19/77
D384,460 S * 9/1997 Wright D34/1
D392,324 S * 3/1998 Cheris D19/75
D460,590 S * 7/2002 Hodge D34/1
7,090,072 B1 * 8/2006 Elliott B44D 3/127
206/15.3
D531,225 S * 10/2006 Kent D19/77
9,051,119 B2 * 6/2015 Jarrett B65F 1/0046

* cited by examiner
Primary Examiner — Elizabeth Albert
(74) *Attorney, Agent, or Firm* — Richard A. Koske; Foster
Pepper PLLC

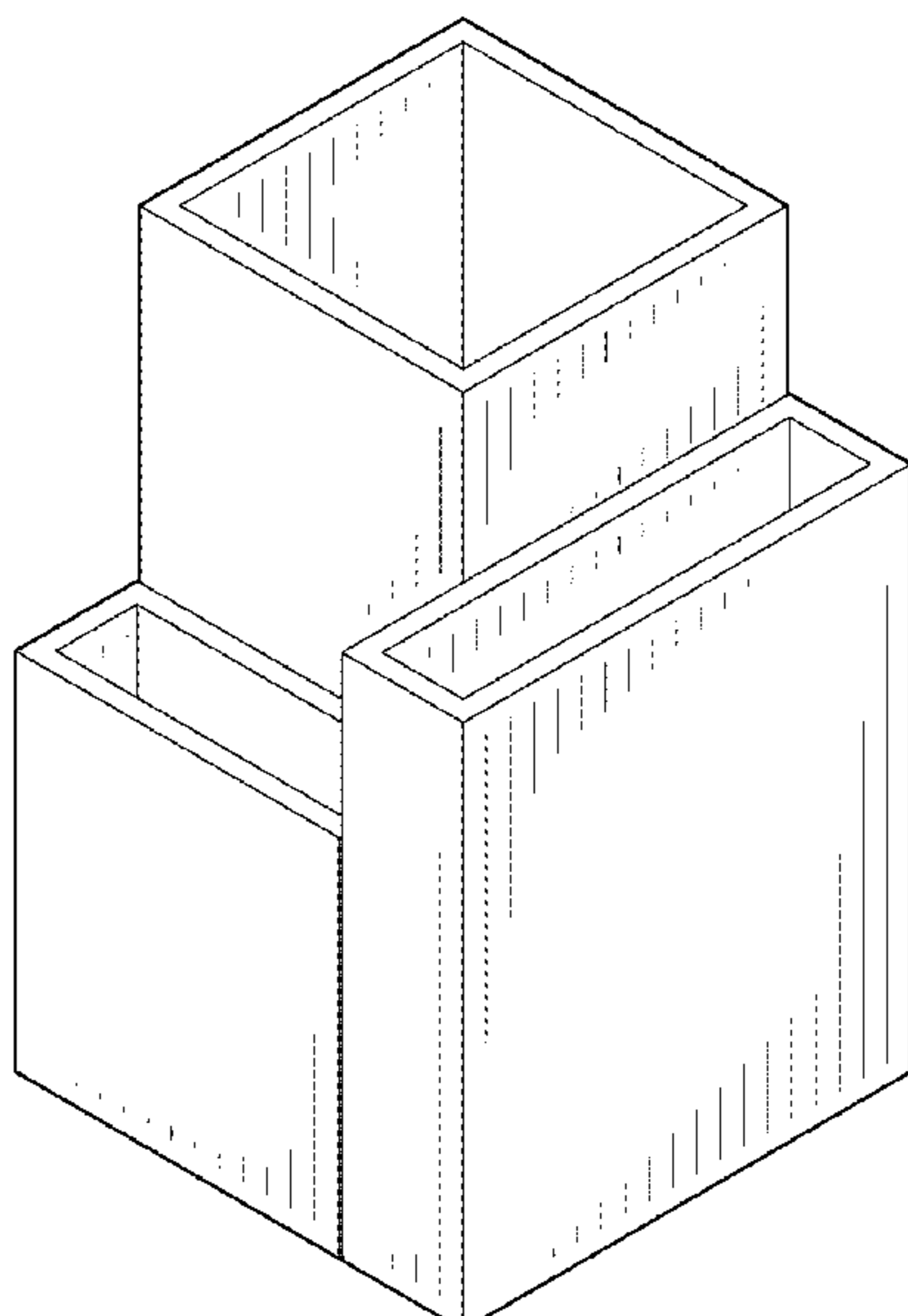
(57) **CLAIM**
The ornamental design for a planter, as shown and described.

DESCRIPTION

FIG. 1 is a front perspective view of a planter showing my new design;
FIG. 2 is a front elevation view thereof;
FIG. 3 is a right side elevation thereof;
FIG. 4 is a left side elevation view thereof;
FIG. 5 is a back elevation view thereof;
FIG. 6 is a top plan view thereof; and,
FIG. 7 is a bottom plan view thereof.
The broken lines in FIG. 6 are included for the purpose of showing portions of the planter that form no part of the claimed design.

1 Claim, 4 Drawing Sheets

(56) **References Cited**
U.S. PATENT DOCUMENTS
D155,124 S * 9/1949 Carver D19/22
D166,426 S * 4/1952 Stotter et al. D11/144
D171,199 S * 12/1953 Edwards D19/75
D296,116 S * 6/1988 Klodt D19/85
D296,448 S * 6/1988 Evenson D19/77
D297,439 S * 8/1988 Rabig D19/85
4,878,592 A * 11/1989 Lee B65F 1/085
220/23.83
4,897,358 A * 1/1990 Carrasco B01L 1/50
220/23.4



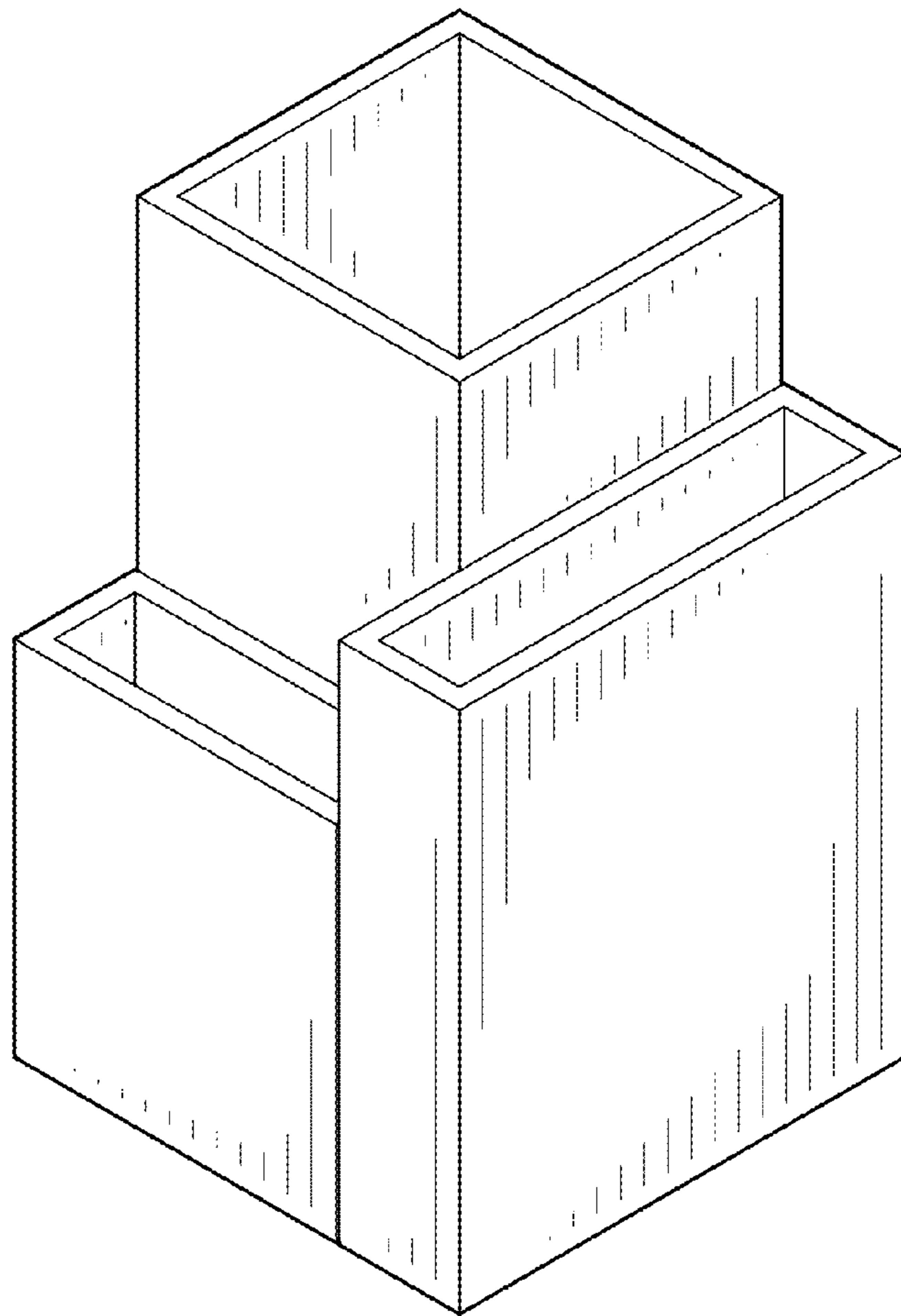


FIG.1

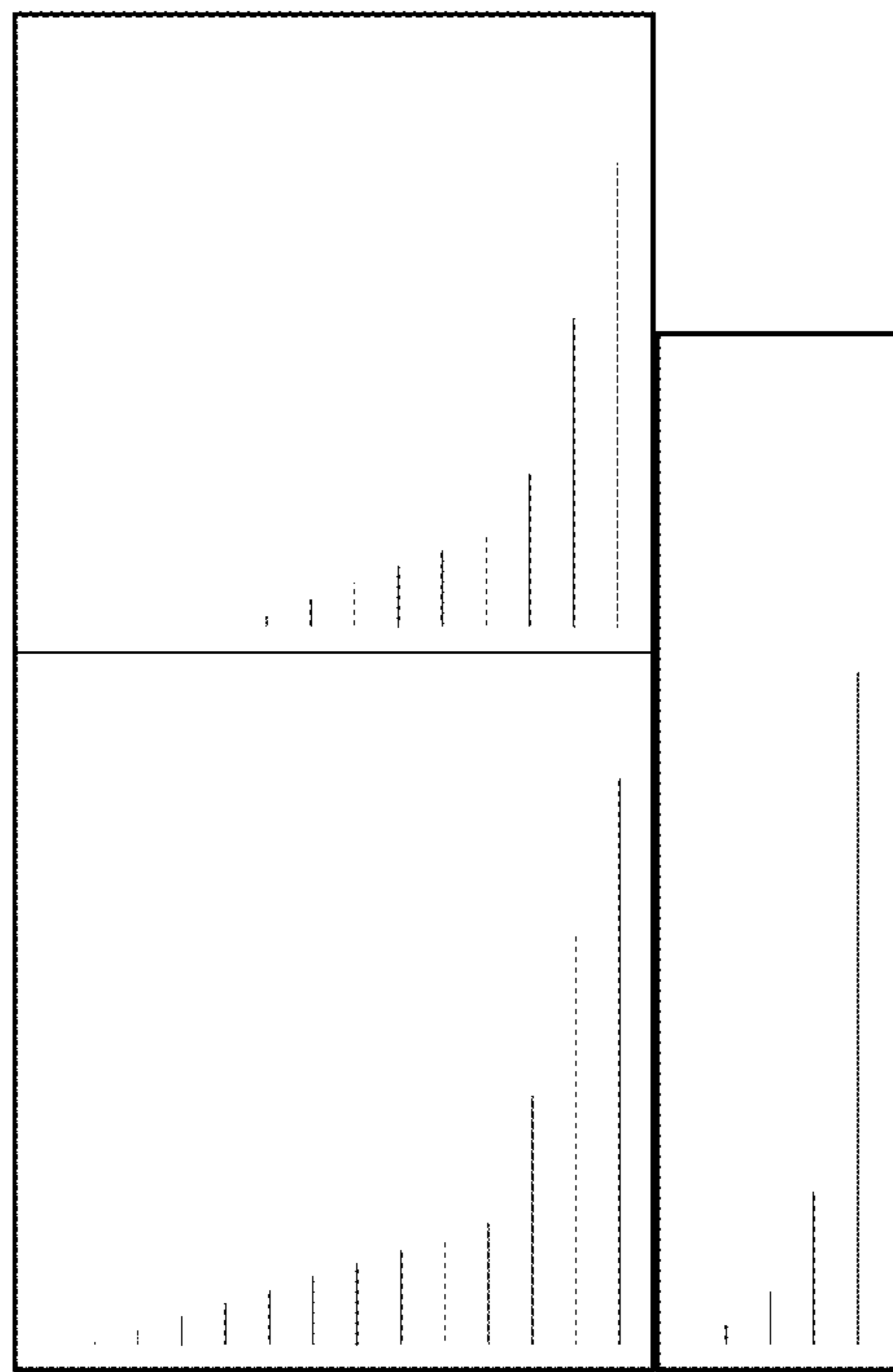


FIG. 2

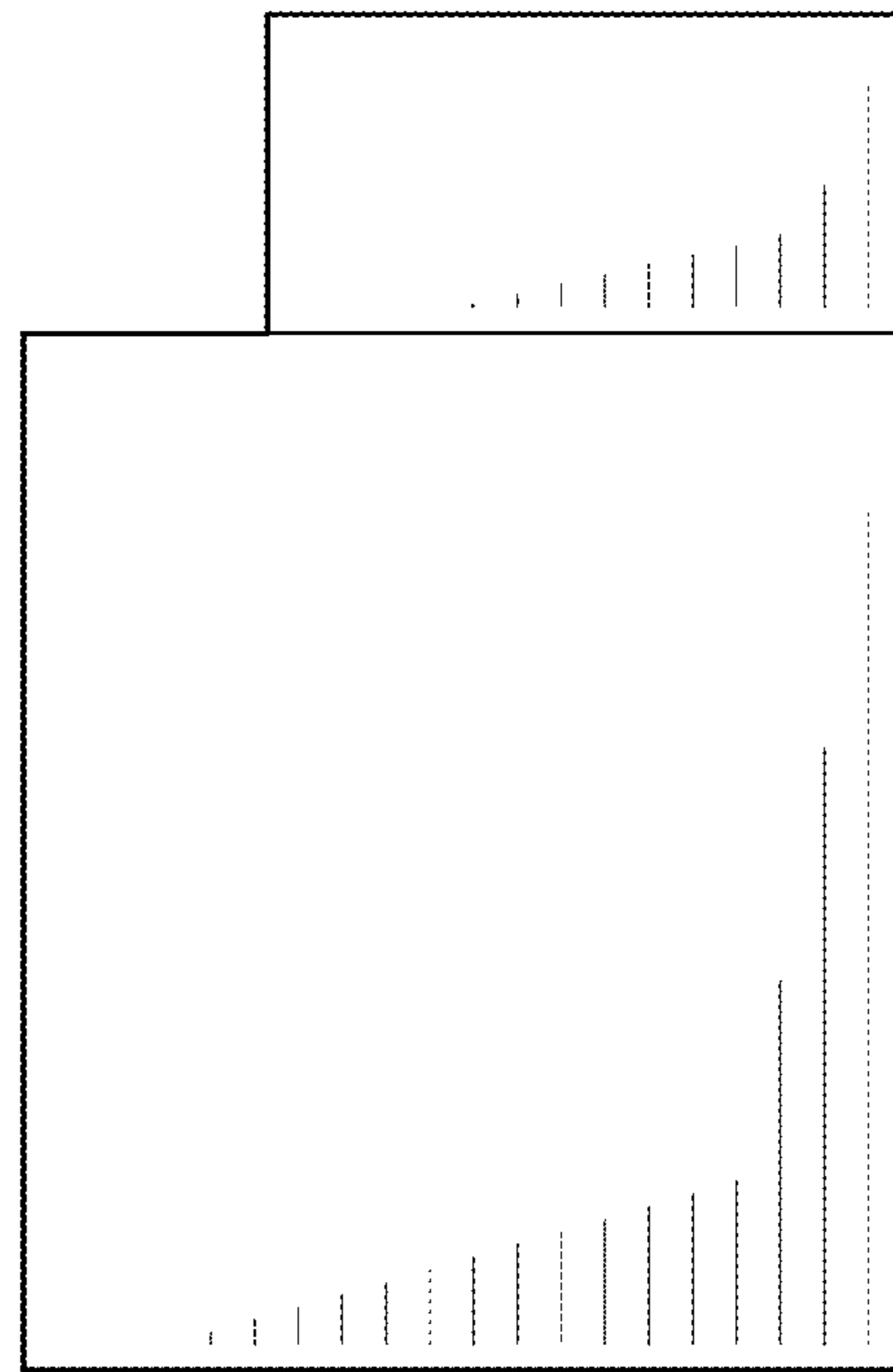


FIG. 3

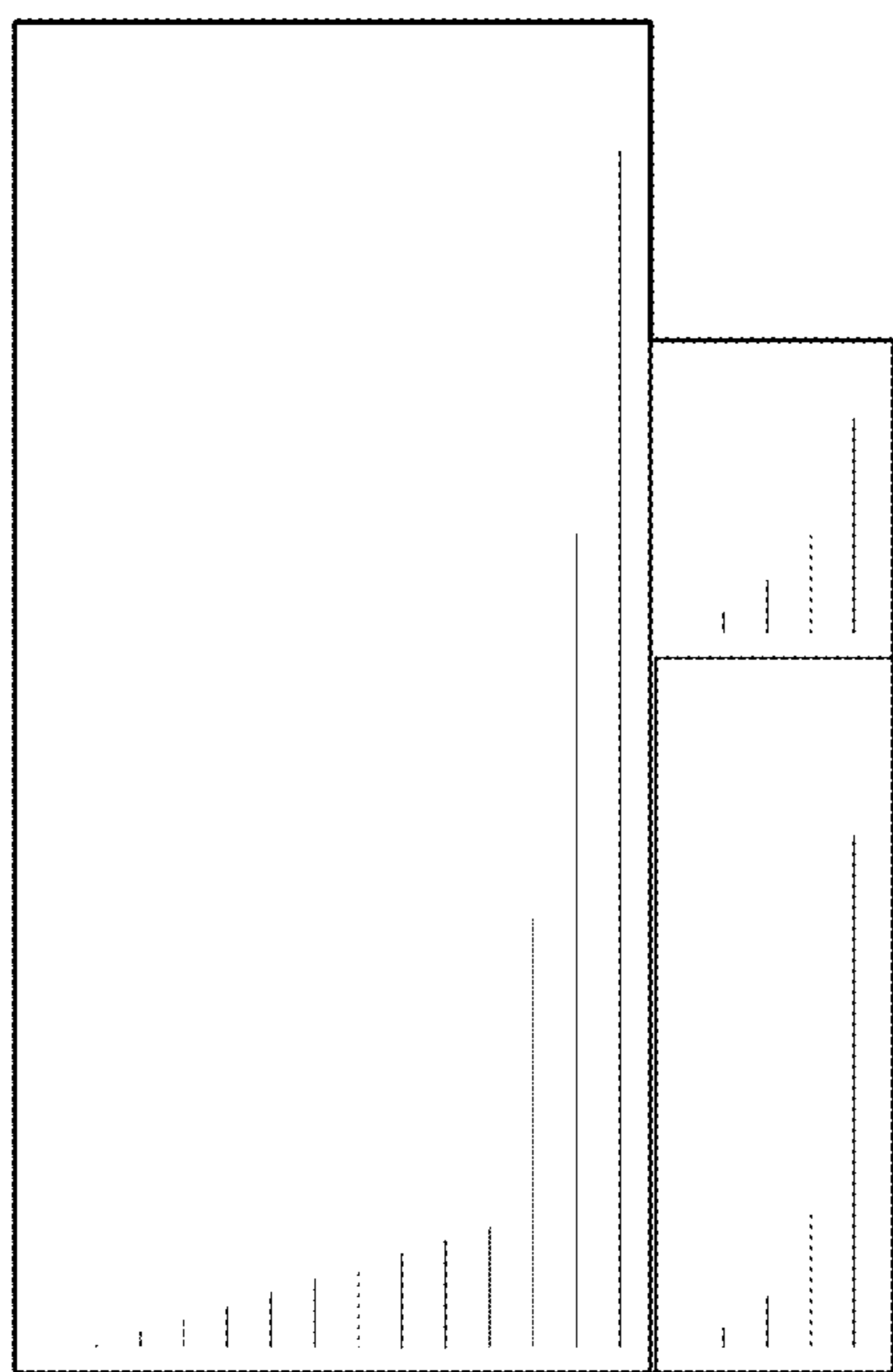


FIG. 4

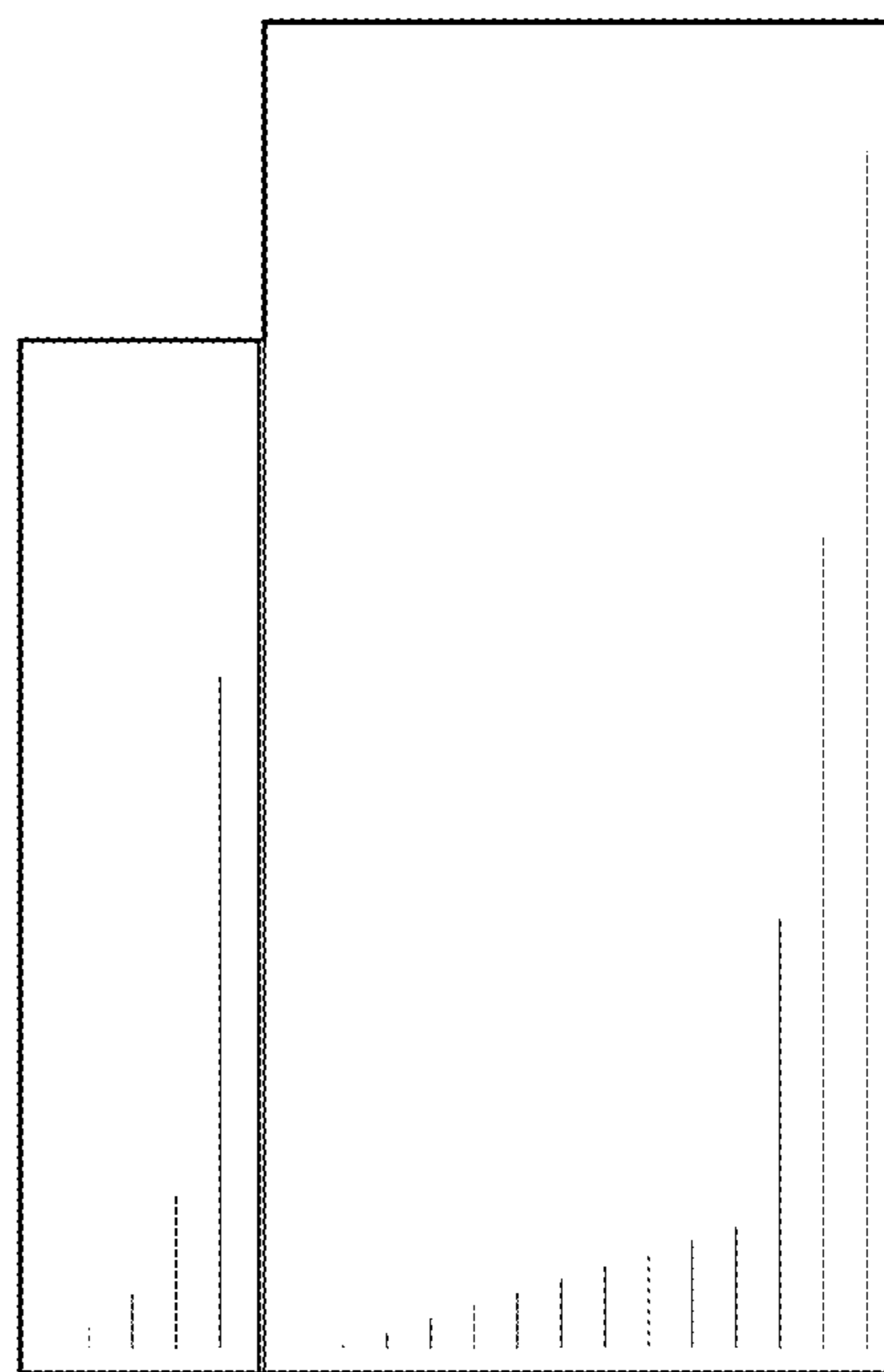


FIG. 5

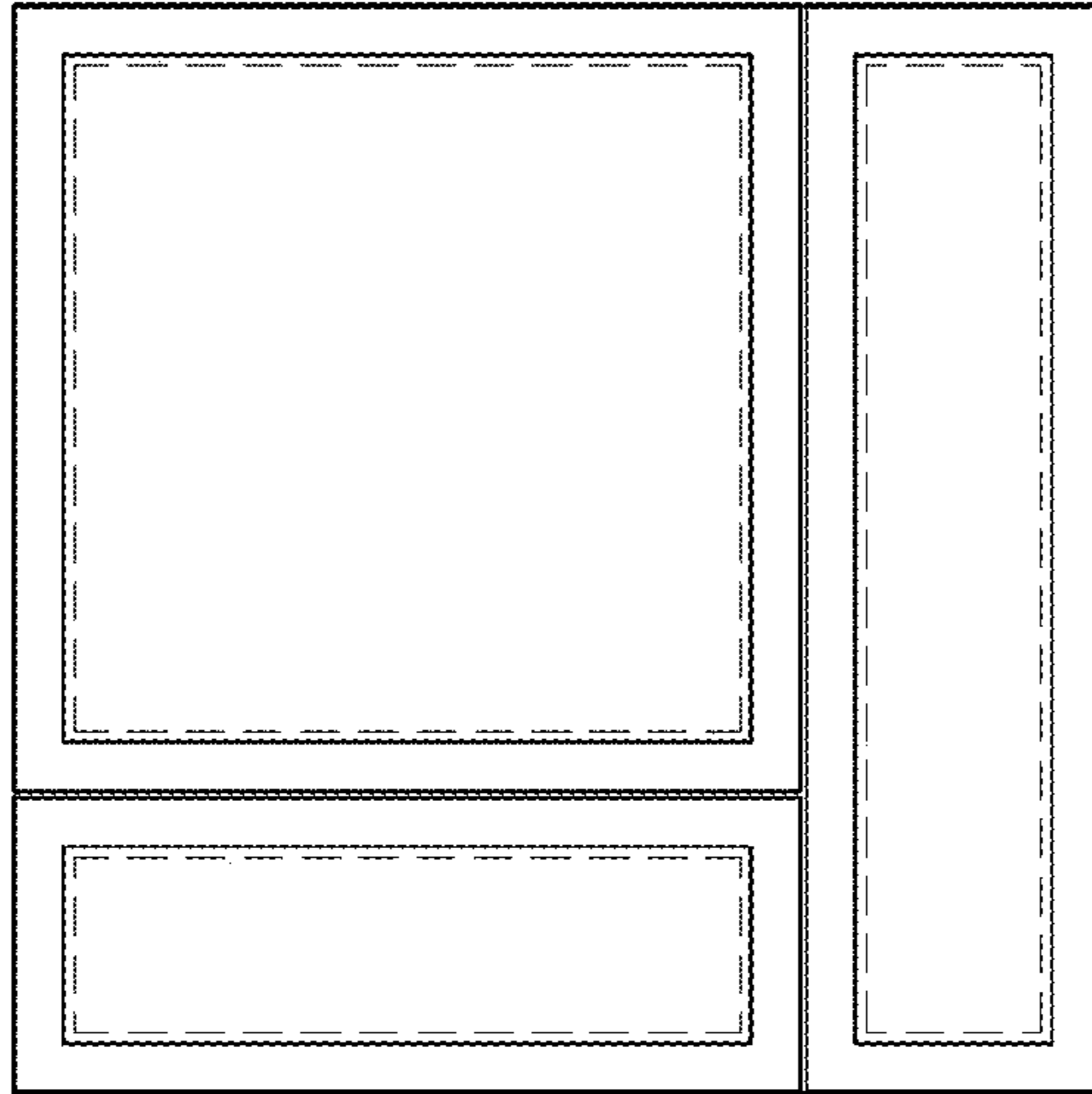


FIG. 6

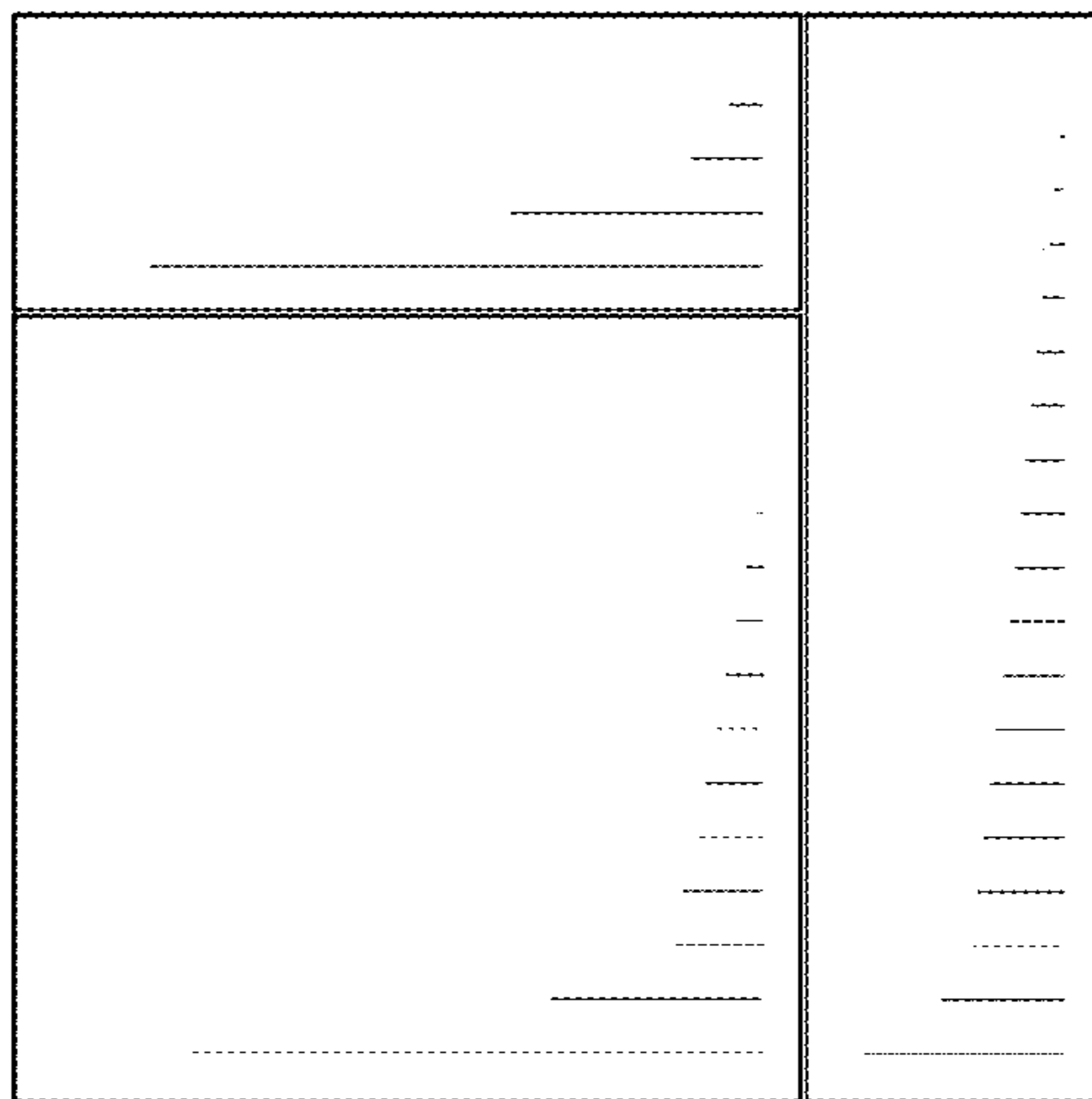


FIG. 7