



US00D761149S

(12) **United States Design Patent**
Gruber-Matejovsky

(10) **Patent No.:** **US D761,149 S**

(45) **Date of Patent:** **** Jul. 12, 2016**

- (54) **COVER FOR A FINGER RING**
- (71) Applicant: **Katherine Ruth Sophia**
Gruber-Matejovsky, Vienna (AT)
- (72) Inventor: **Katherine Ruth Sophia**
Gruber-Matejovsky, Vienna (AT)
- (**) Term: **14 Years**
- (21) Appl. No.: **29/496,085**
- (22) Filed: **Jul. 9, 2014**
- (51) **LOC (10) Cl.** **11-01**
- (52) **U.S. Cl.**
USPC **D11/26**
- (58) **Field of Classification Search**
USPC D11/1-40, 46, 48, 138, 184;
63/1.11-1.17, 3, 3.1, 3.2, 4, 5.1, 5.2,
63/6-11, 15, 15.1, 15.2, 15.3, 15.4, 15.45,
63/15.5, 15.6, 15.65, 15.7, 15.8, 15.9, 21,
63/22, 24-27, 32, 33, 38; D8/18, 33, 38,
D8/42, 331, 335, 382, 397, 398; D23/259,
D23/262-266; D7/354, 358, 391, 633;
D14/203.1, 203.2, 203.3, 203.4, 203.5,
D14/203.6, 203.7, 344, 440; D2/639
CPC A44C 9/00; A44C 27/00; A44C 17/02;
A44C 17/04; A44C 5/00; A44C 5/12; A44C
15/002; A44C 17/00; A44C 25/002; A44C
25/008
See application file for complete search history.

8,091,383	B1 *	1/2012	Zahiri et al.	63/15
D660,193	S *	5/2012	Neuner	D11/3
D672,679	S *	12/2012	Riches	D11/26
8,701,440	B1 *	4/2014	Nguonly et al.	63/15
D716,174	S *	10/2014	Tsang	D11/3
D721,608	S *	1/2015	Miller et al.	D11/3
2005/0199007	A1 *	9/2005	LaCroix	63/15
2008/0148776	A1 *	6/2008	Alley et al.	63/15.8
2009/0038339	A1 *	2/2009	Chen	63/15
2011/0011131	A1 *	1/2011	Bisserier	63/15.7
2013/0186134	A1 *	7/2013	Goldstein	63/12
2014/0083135	A1 *	3/2014	Martinez	63/15.8

* cited by examiner

Primary Examiner — Cynthia Ramirez
Assistant Examiner — Llorelys Martinez-Rivera

(57) **CLAIM**

The ornamental design for a cover for a finger ring, as shown and described.

DESCRIPTION

FIG. 1 is a front elevation view of a cover for a finger ring showing my new design in a disassembled configuration of use;

FIG. 2 is a front elevation view of the cover for a finger ring, shown in an assembled configuration of use;

FIG. 3 is a rear elevation view thereof, the right side and left side elevation views being identical thereto;

FIG. 4 is a top plan view of the two components of the cover for a finger ring, shown disassembled for clarity of illustration; and,

FIG. 5 is an illustrative top plan view of the two components of the cover for a finger ring, shown disassembled for clarity of illustration.

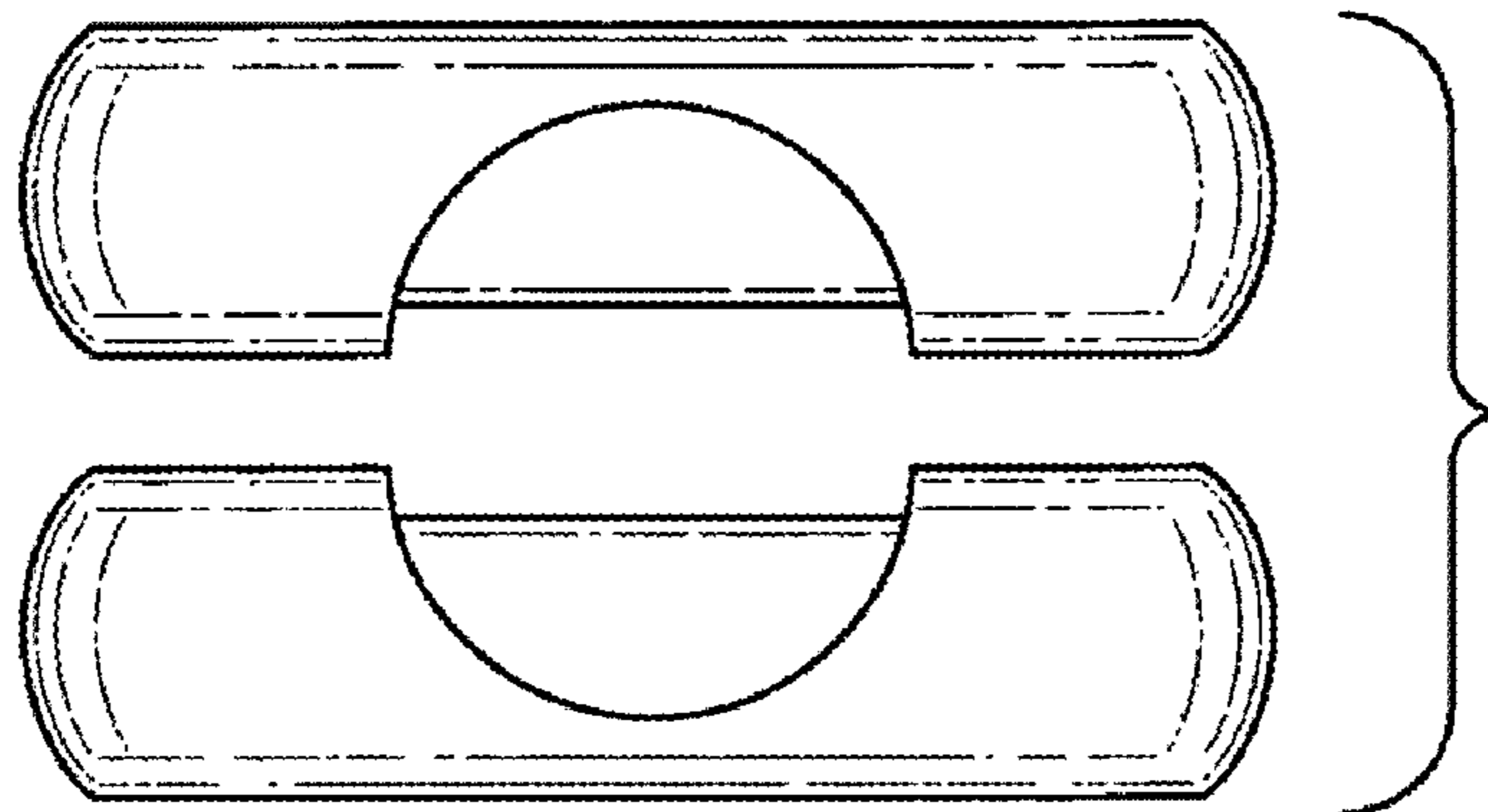
The broken line portions shown in FIGS. 2 and 5 illustrate environmental subject matter only and form no part of the claimed design.

1 Claim, 2 Drawing Sheets

(56) **References Cited**

U.S. PATENT DOCUMENTS

D101,947	S *	11/1936	Hagerstrom	D11/35
D113,638	S *	3/1939	Milhening	D11/36
D246,354	S *	11/1977	Durante	D11/36
D537,011	S *	2/2007	Doughty	D11/35
D645,776	S *	9/2011	Pilushin	D11/26



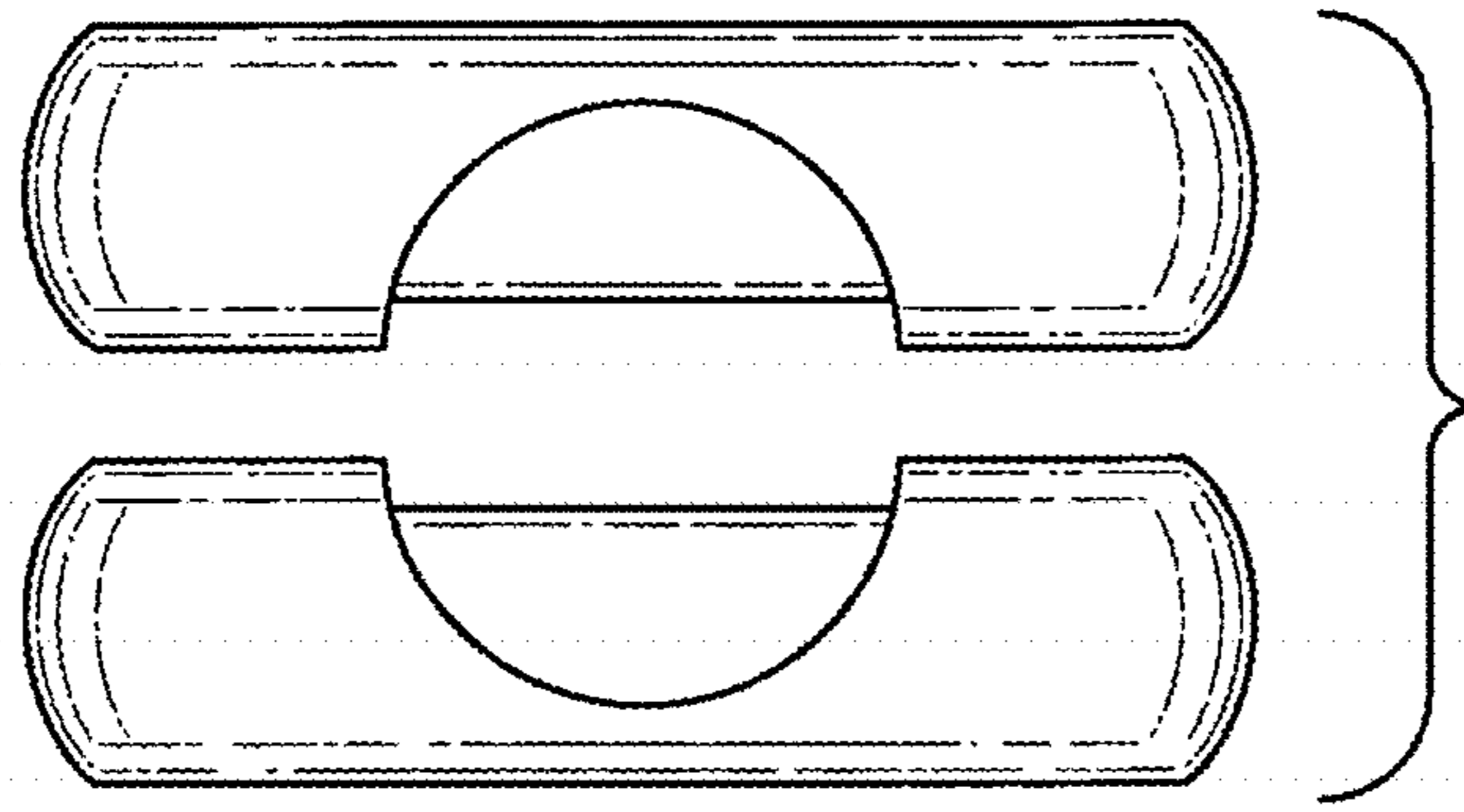


FIG. 1

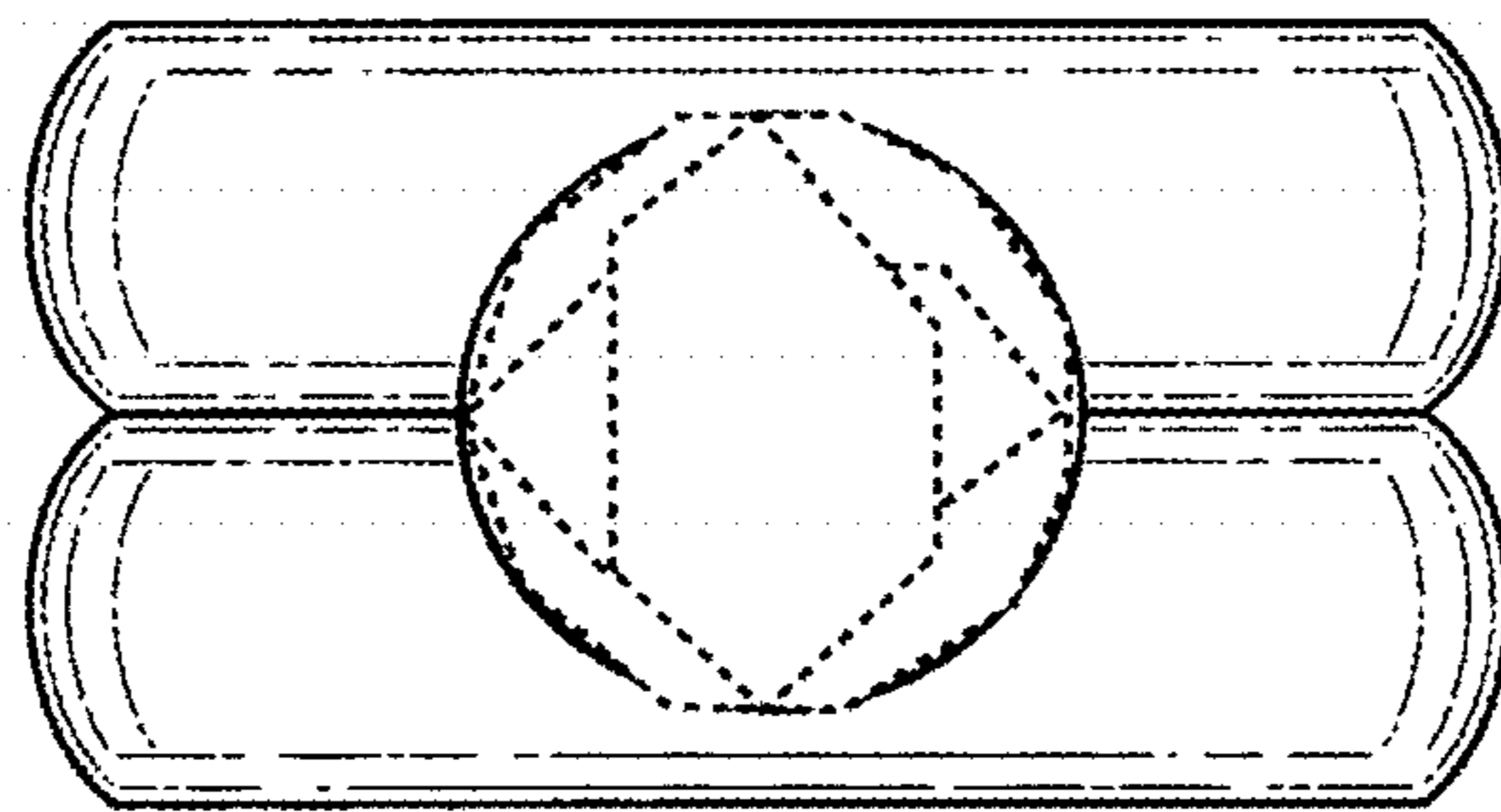


FIG. 2

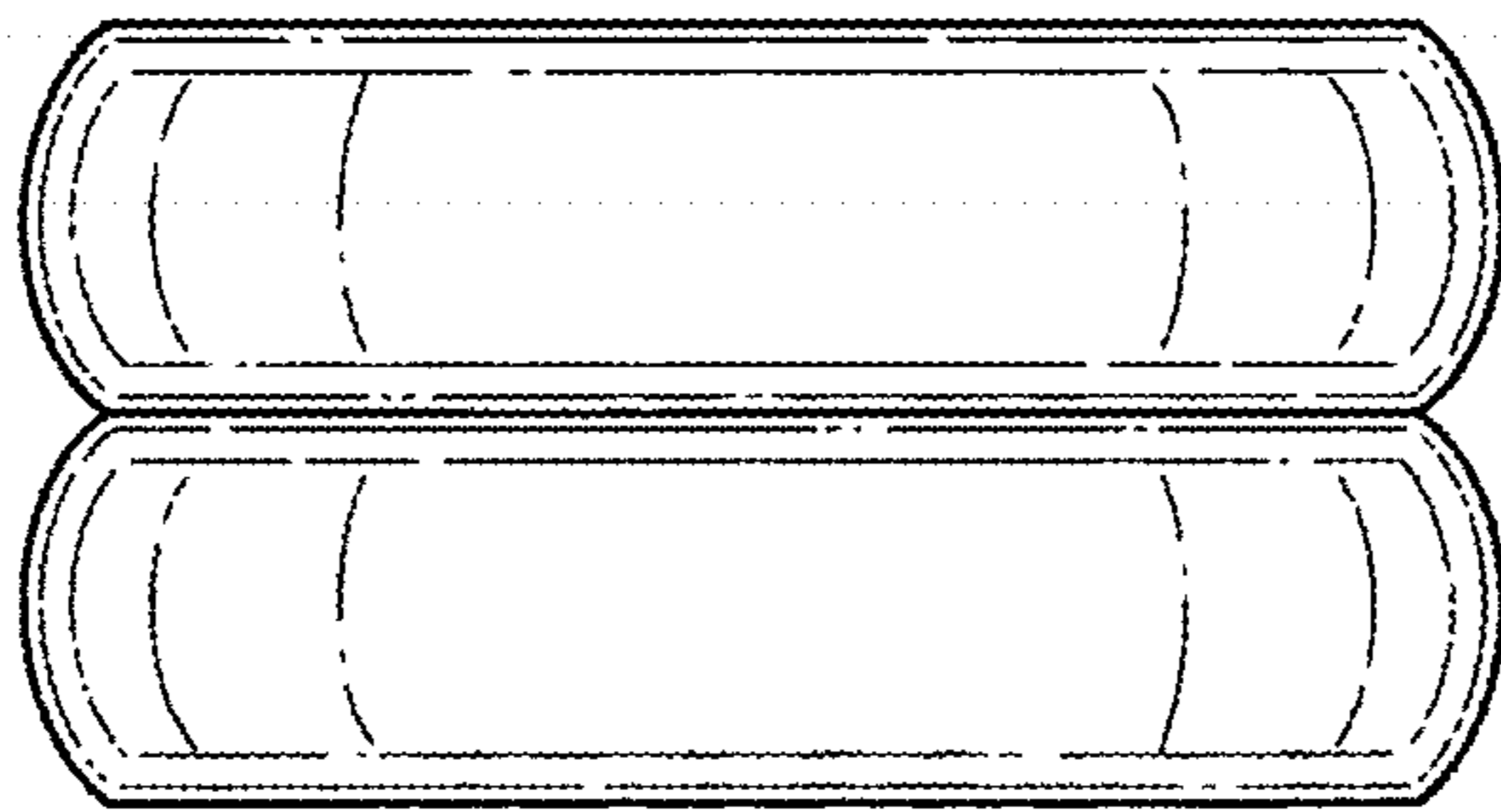


FIG. 3

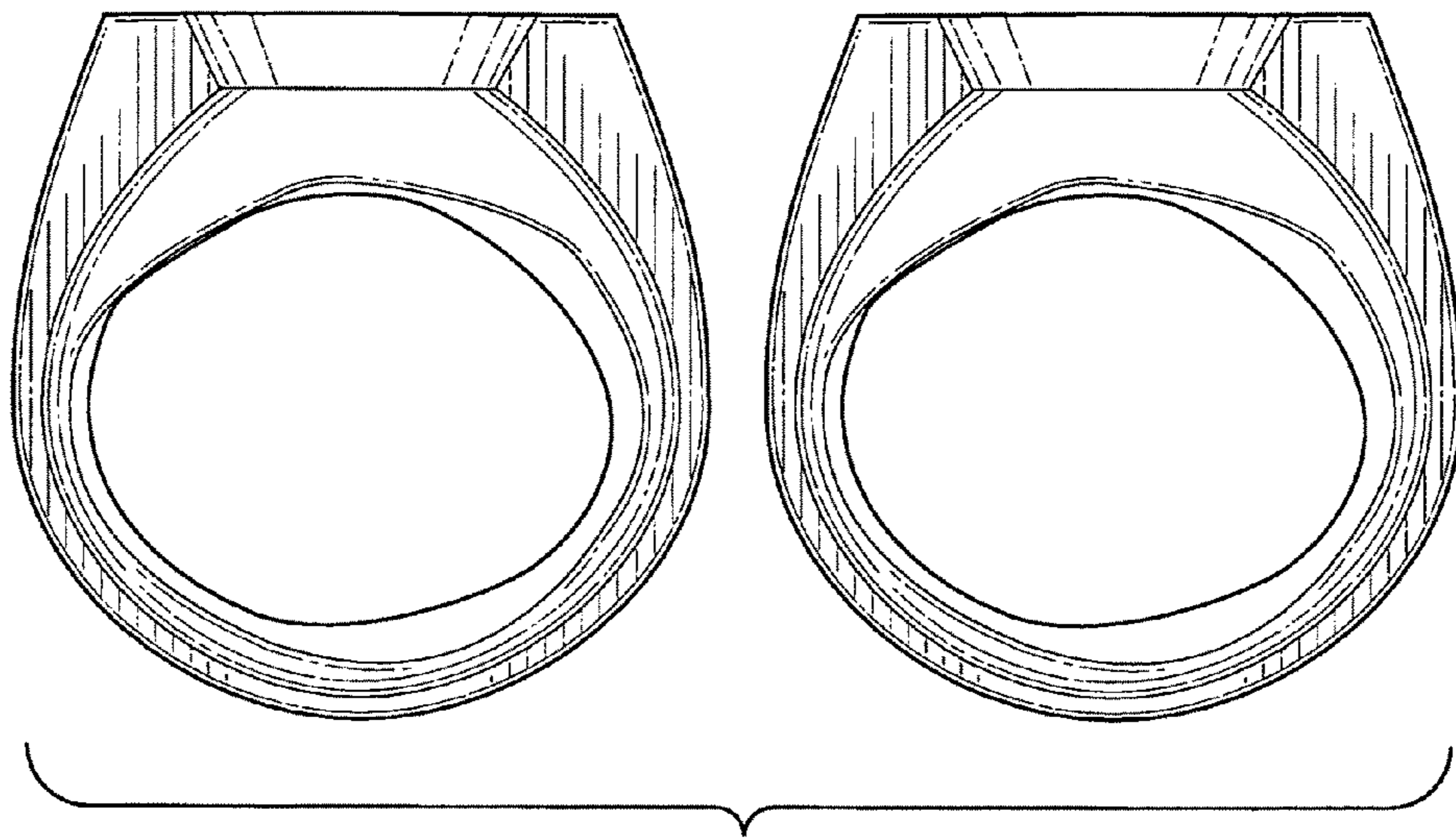


FIG. 4

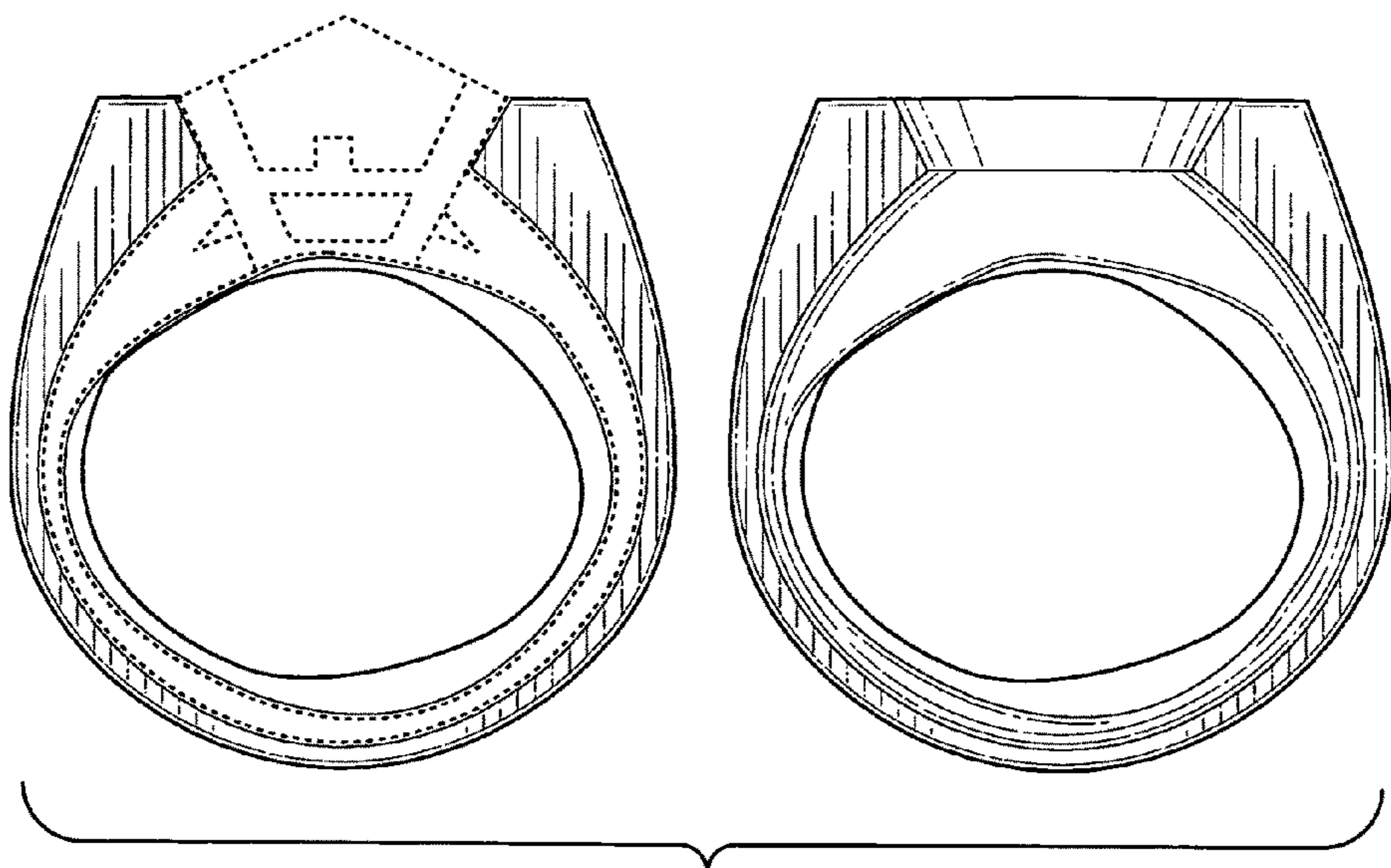


FIG. 5