



US00D761147S

(12) **United States Design Patent**  
**Monachon**

(10) **Patent No.:** **US D761,147 S**  
(45) **Date of Patent:** **\*\* Jul. 12, 2016**

(54) **BRACELET**

(71) Applicant: **OMEGA LTD.**, Biel/Bienne (CH)

(72) Inventor: **Jean-Claude Monachon**, Bevaix (CH)

(73) Assignee: **OMEGA LTD.**, Biel/Bienne (CH)

(\*\*) Term: **15 Years**

(21) Appl. No.: **29/538,988**

(22) Filed: **Sep. 10, 2015**

(30) **Foreign Application Priority Data**

Mar. 10, 2015 (WO) ..... DM/085 818

(51) **LOC (10) Cl.** ..... **11-01**

(52) **U.S. Cl.**  
USPC ..... **D11/12**

(58) **Field of Classification Search**  
USPC ..... D11/1-26; D10/32, 38  
CPC ..... A44C 5/00; A44C 5/0007; A44C 5/0015;  
A44C 5/0023; A44C 5/003; A44C 5/0038;  
A44C 5/0046; A44C 5/0053; A44C 5/0061;  
A44C 5/0069; A44C 5/0076; A44C 5/0084;  
A44C 5/0092; A44C 5/02; A44C 5/022;  
A44C 5/025; A44C 5/027; A44C 5/08;  
A44C 5/107

See application file for complete search history.

(56) **References Cited**

**U.S. PATENT DOCUMENTS**

D64,259 S \* 3/1924 McDermott ..... D11/11  
D76,139 S \* 8/1928 Kinsley ..... D11/3  
D315,312 S \* 3/1991 Bonnet ..... D10/32  
D323,784 S \* 2/1992 Gueit ..... D10/32  
D327,435 S \* 6/1992 Gueit ..... D10/32  
D331,705 S \* 12/1992 Gueit ..... D10/32  
D342,905 S \* 1/1994 Helleu ..... D10/32

D356,519 S \* 3/1995 Bulgari ..... D11/6  
D361,943 S \* 9/1995 Hayashi ..... D10/32  
D369,117 S \* 4/1996 Scheufele ..... D11/22  
D382,495 S \* 8/1997 Chun ..... D10/32  
D382,496 S \* 8/1997 Young Soo ..... D10/32  
D399,140 S \* 10/1998 Voegeli ..... D10/30  
D400,446 S \* 11/1998 Mouawad ..... D10/30  
D423,950 S \* 5/2000 Bulgari ..... D10/30  
D468,657 S \* 1/2003 Calvani ..... D11/12  
D473,475 S \* 4/2003 Baumann ..... D10/32  
2014/0318101 A1 \* 10/2014 Cazzola ..... A44C 5/08  
59/82

**OTHER PUBLICATIONS**

[Online] [https://www.omegawatches.com/fileadmin/Watches/Product\\_Presentation/De\\_Ville/PrestigeDewdrop/DV\\_Prestige\\_Dewdrop\\_42455332055009\\_VueC\\_1600x900.jpg](https://www.omegawatches.com/fileadmin/Watches/Product_Presentation/De_Ville/PrestigeDewdrop/DV_Prestige_Dewdrop_42455332055009_VueC_1600x900.jpg). Retrieved Apr. 14, 2016.\*

(Continued)

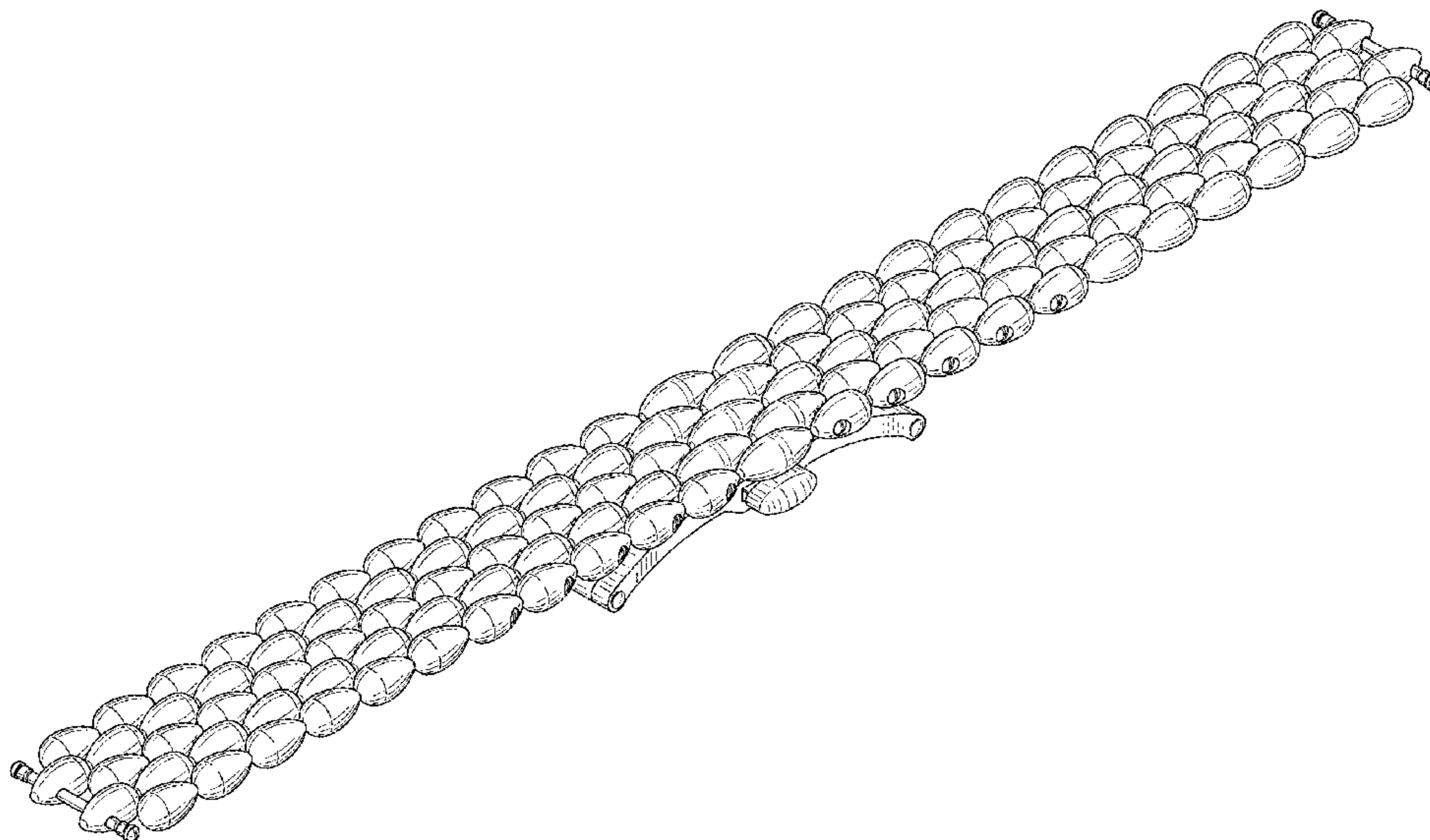
*Primary Examiner* — Garth Rademaker  
*Assistant Examiner* — Melanie Pellegrini  
(74) *Attorney, Agent, or Firm* — Donald J. Ranft; Kristen A. Mogavero; Collen IP

(57) **CLAIM**  
The ornamental design for a bracelet, as shown.

**DESCRIPTION**

FIG. 1 is a front right perspective view of a bracelet showing my new design;  
FIG. 2 is a rear left perspective view thereof;  
FIG. 3 is a right side view thereof;  
FIG. 4 is a left side view thereof;  
FIG. 5 is an end view thereof;  
FIG. 6 is an opposite end view thereof;  
FIG. 7 is a front view thereof; and,  
FIG. 8 is a rear view thereof.

**1 Claim, 4 Drawing Sheets**



(56)

**References Cited**

OTHER PUBLICATIONS

[Online] <http://www.luxebytrendy.com/wp-content/uploads/2012/12/Edition-limit%C3%A9e-Cartier-Crash1.jpg>. Retrieved Apr. 14, 2016.\*

[Online] [http://www.wempe.com/uploads/tx\\_markenspiegel/jaeger-lecoultre-rendez-vous-night-day.jpg](http://www.wempe.com/uploads/tx_markenspiegel/jaeger-lecoultre-rendez-vous-night-day.jpg). Retrieved Apr. 14, 2016.\*

\* cited by examiner

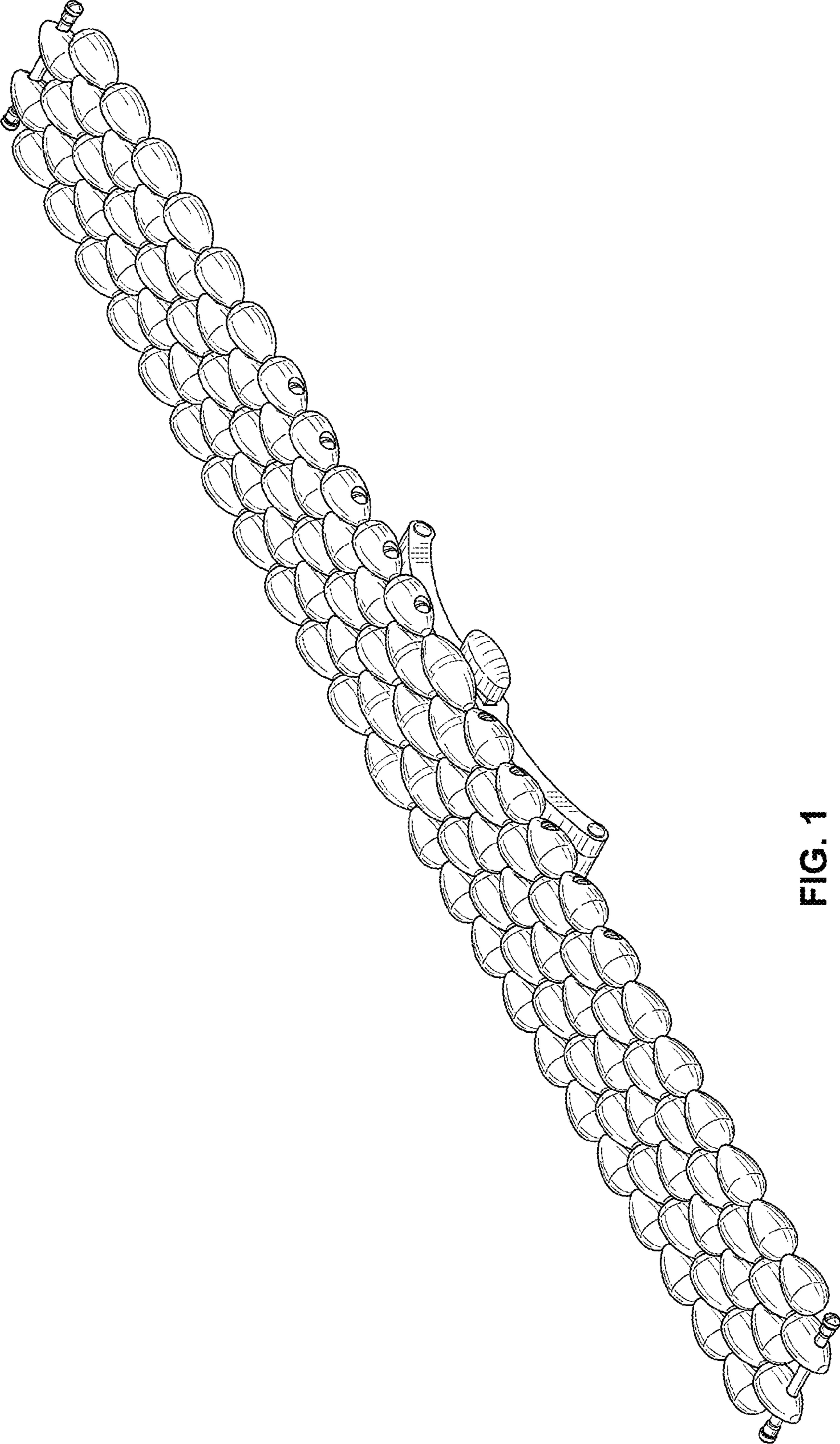


FIG. 1

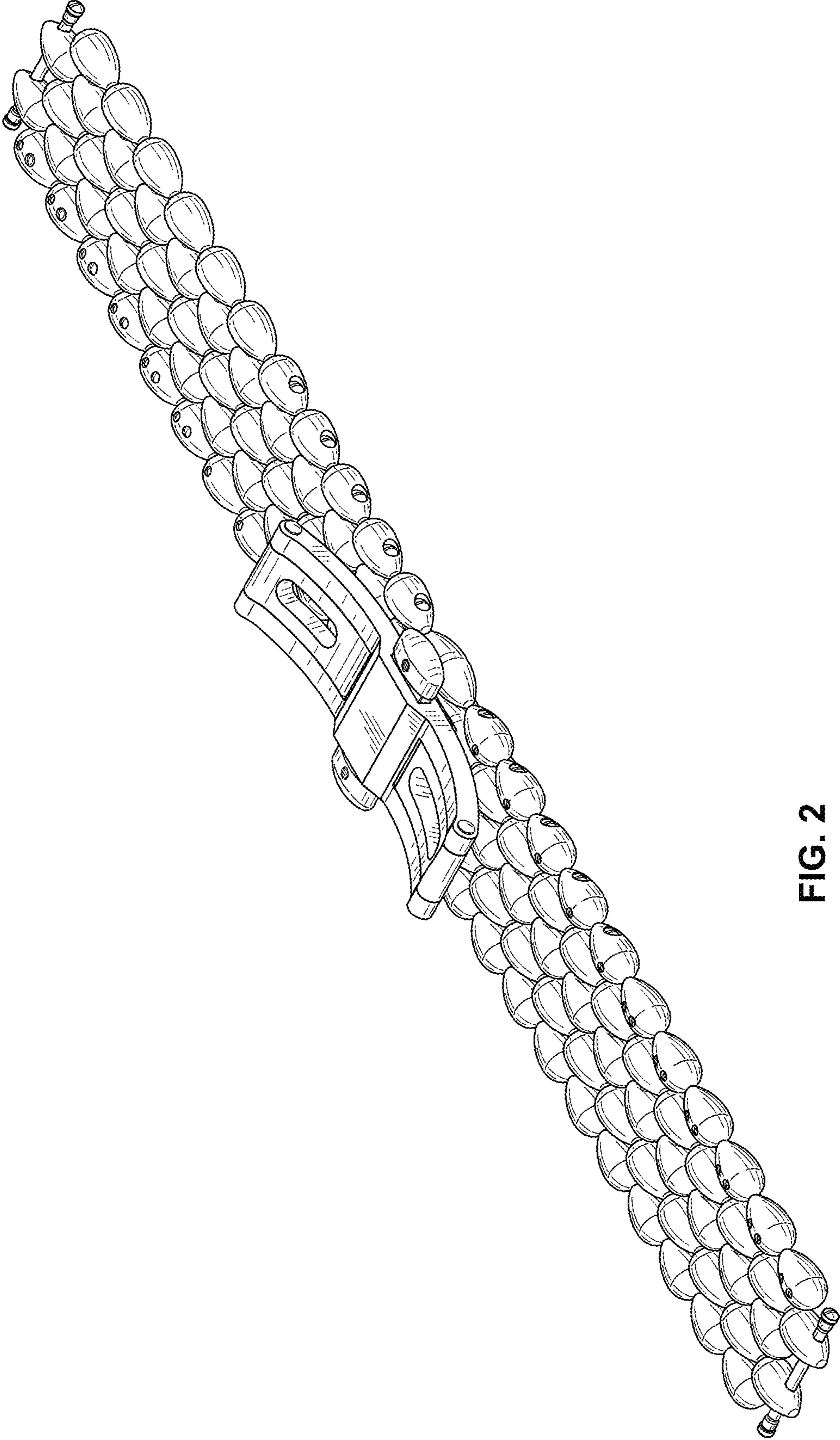


FIG. 2

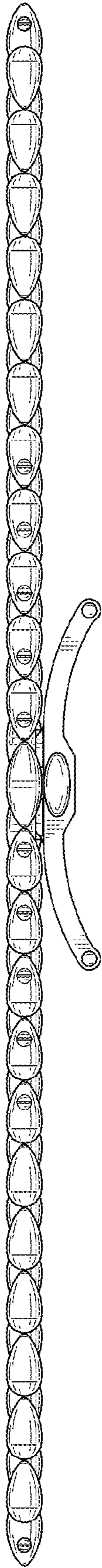


FIG. 3

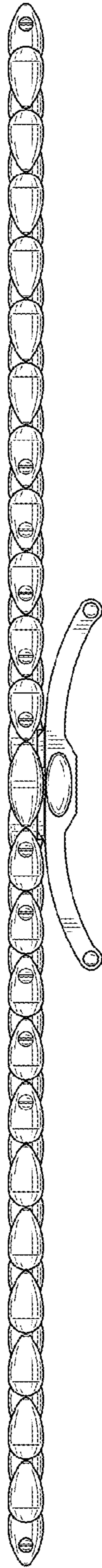


FIG. 4

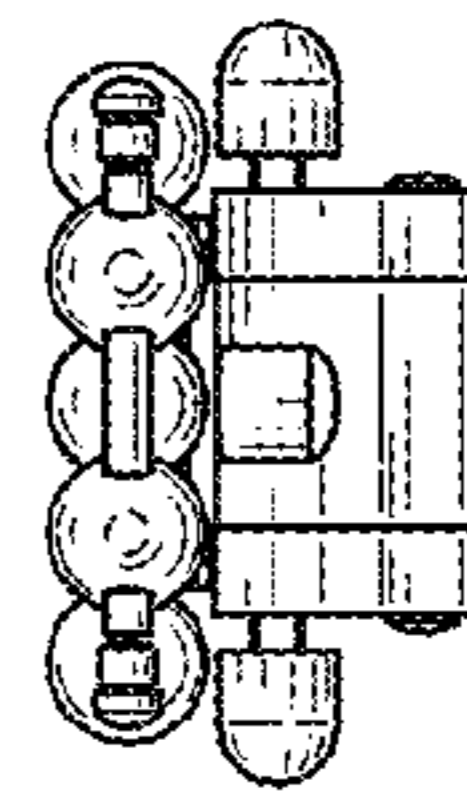


FIG. 5

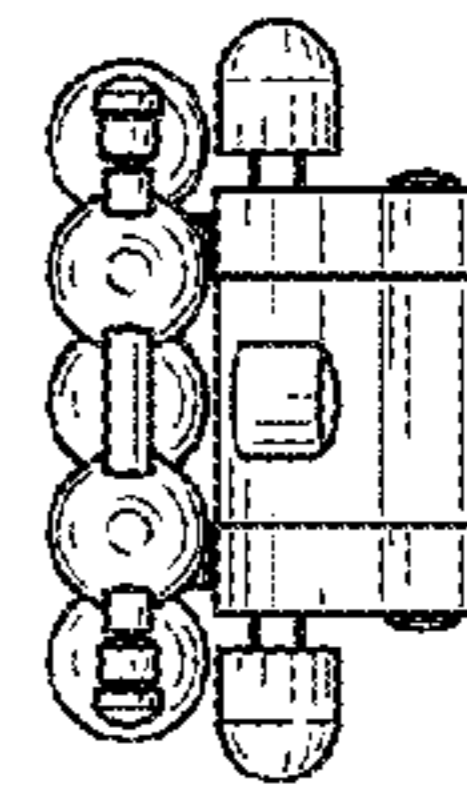


FIG. 6

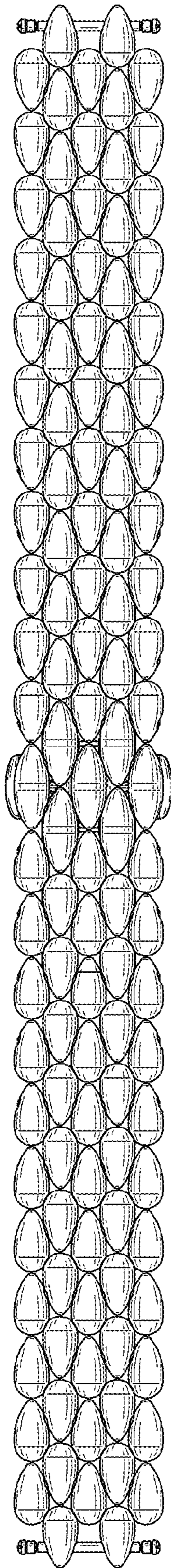


FIG. 7

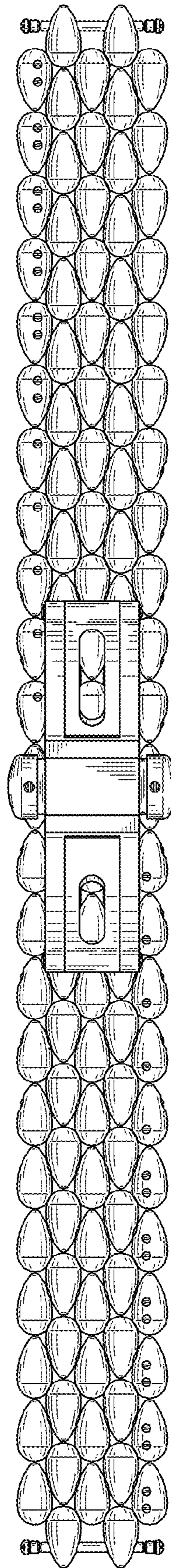


FIG. 8