



US00D761143S

(12) **United States Design Patent**  
**Schmid et al.**

(10) **Patent No.:** **US D761,143 S**  
(45) **Date of Patent:** **\*\* Jul. 12, 2016**

(54) **SELF-INFLATING TIRE AIR REGULATOR**

19/00–19/16; G01L 23/00–23/32; G01L  
27/00–23/02

(71) Applicants: **Eaton Corporation**, Cleveland, OH  
(US); **The Goodyear Tire & Rubber  
Company**, Akron, OH (US)

See application file for complete search history.

(72) Inventors: **Derek K. Schmid**, Marshall, MI (US);  
**Robert A. Dayton**, Attica, MI (US);  
**Ramakrishna Bhoga**, Pune (IN); **Sagar  
Pingale**, Pune (IN); **Ravikumar Dinni**,  
Pune (IN)

(56) **References Cited**

U.S. PATENT DOCUMENTS

D736,662 S \* 8/2015 Hata ..... D10/85

\* cited by examiner

*Primary Examiner* — Antoine D Davis

(73) Assignees: **Eaton Corporation**, Cleveland, OH  
(US); **The Goodyear Tire & Rubber  
Company**, Akron, OH (US)

(74) *Attorney, Agent, or Firm* — Dierker & Kavanaugh, P.C.

(\*\*) Term: **15 Years**

(57) **CLAIM**

The ornamental design for a self-inflating tire air regulator, as  
shown and described.

(21) Appl. No.: **29/532,833**

(22) Filed: **Jul. 10, 2015**

**DESCRIPTION**

**Related U.S. Application Data**

(62) Division of application No. 29/497,564, filed on Jul.  
25, 2014, now Pat. No. Des. 735,596.

(51) **LOC (10) Cl.** ..... **10-06**

(52) **U.S. Cl.**  
USPC ..... **D10/86**

(58) **Field of Classification Search**  
USPC ..... D10/83–86  
CPC B60C 23/0408; B60C 23/0494; G01L 7/043;  
G01L 7/00–7/24; G01L 13/00–13/06; G01L  
15/00; G01L 17/00–17/005; G01L

FIG. 1 is a front perspective view of an example of a housing  
portion of a self-inflating tire air regulator according to the  
present disclosure;

FIG. 2 is a top view of the example of FIG. 1;

FIG. 3 is a bottom view of the example of FIG. 1;

FIG. 4 is a front view of the example of FIG. 1;

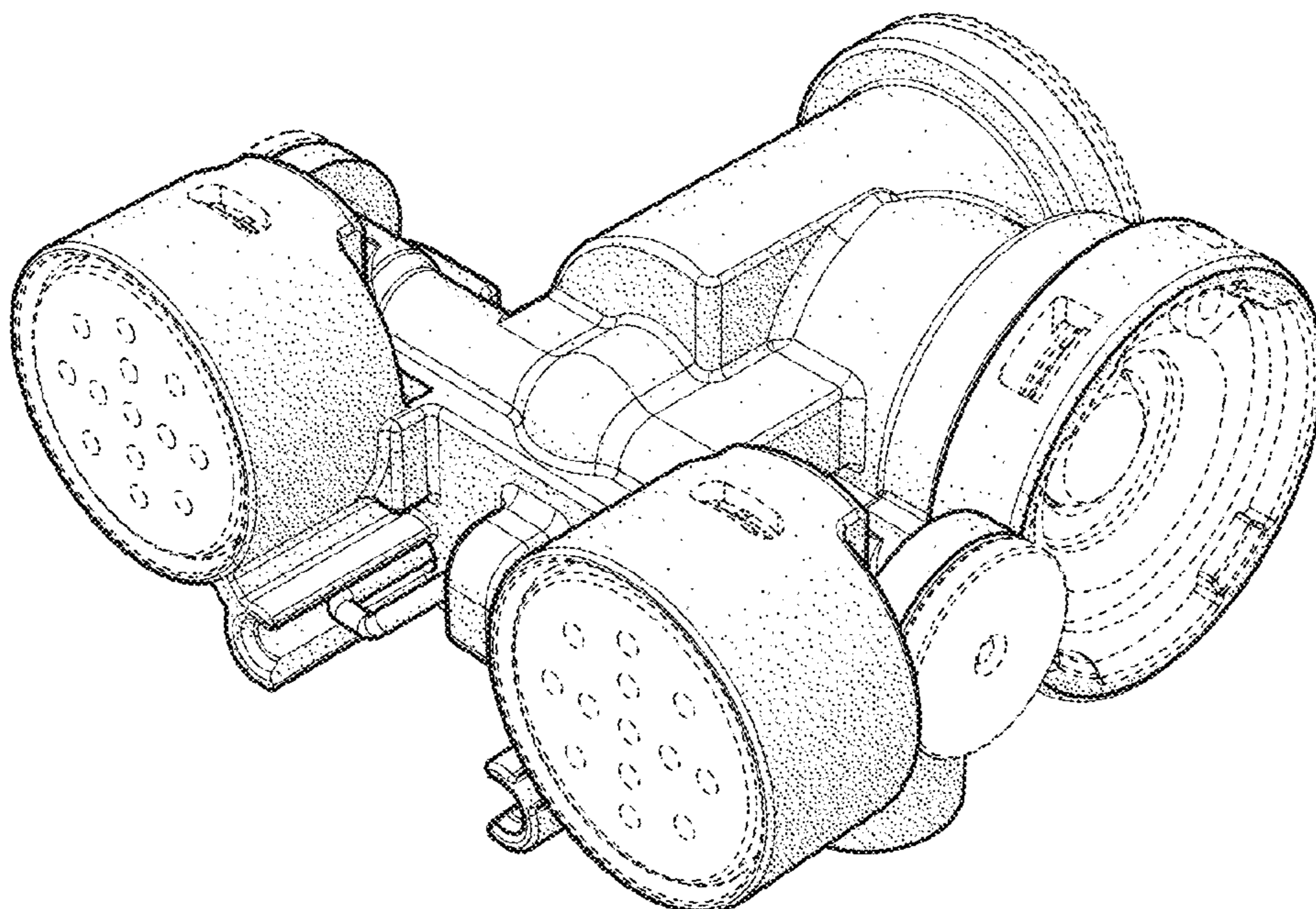
FIG. 5 is a rear view of the example of FIG. 1;

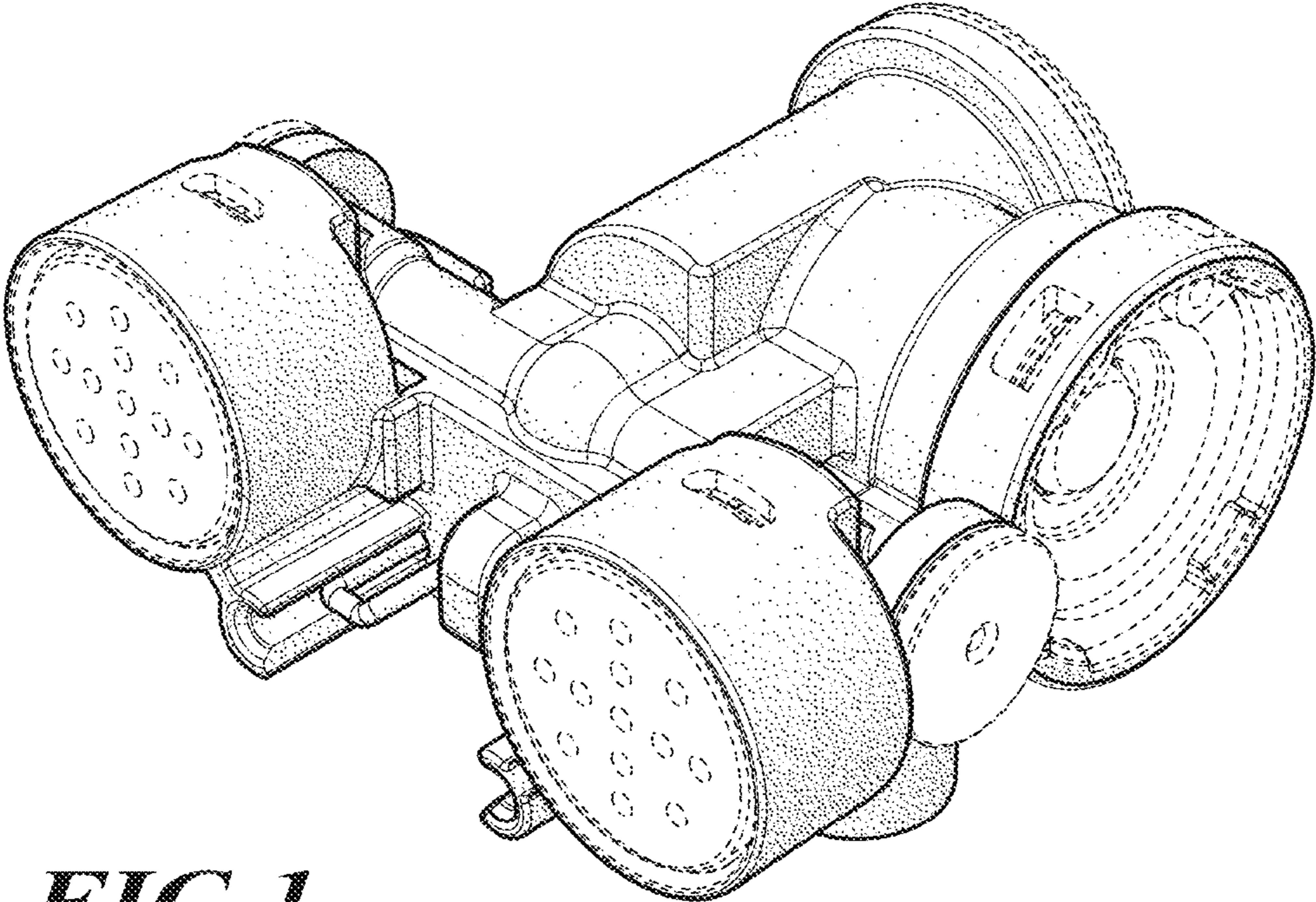
FIG. 6 is a right side view of the example of FIG. 1; and,

FIG. 7 is a left side view of the example of FIG. 1.

The dashed lines form no part of the claimed design.

**1 Claim, 4 Drawing Sheets**

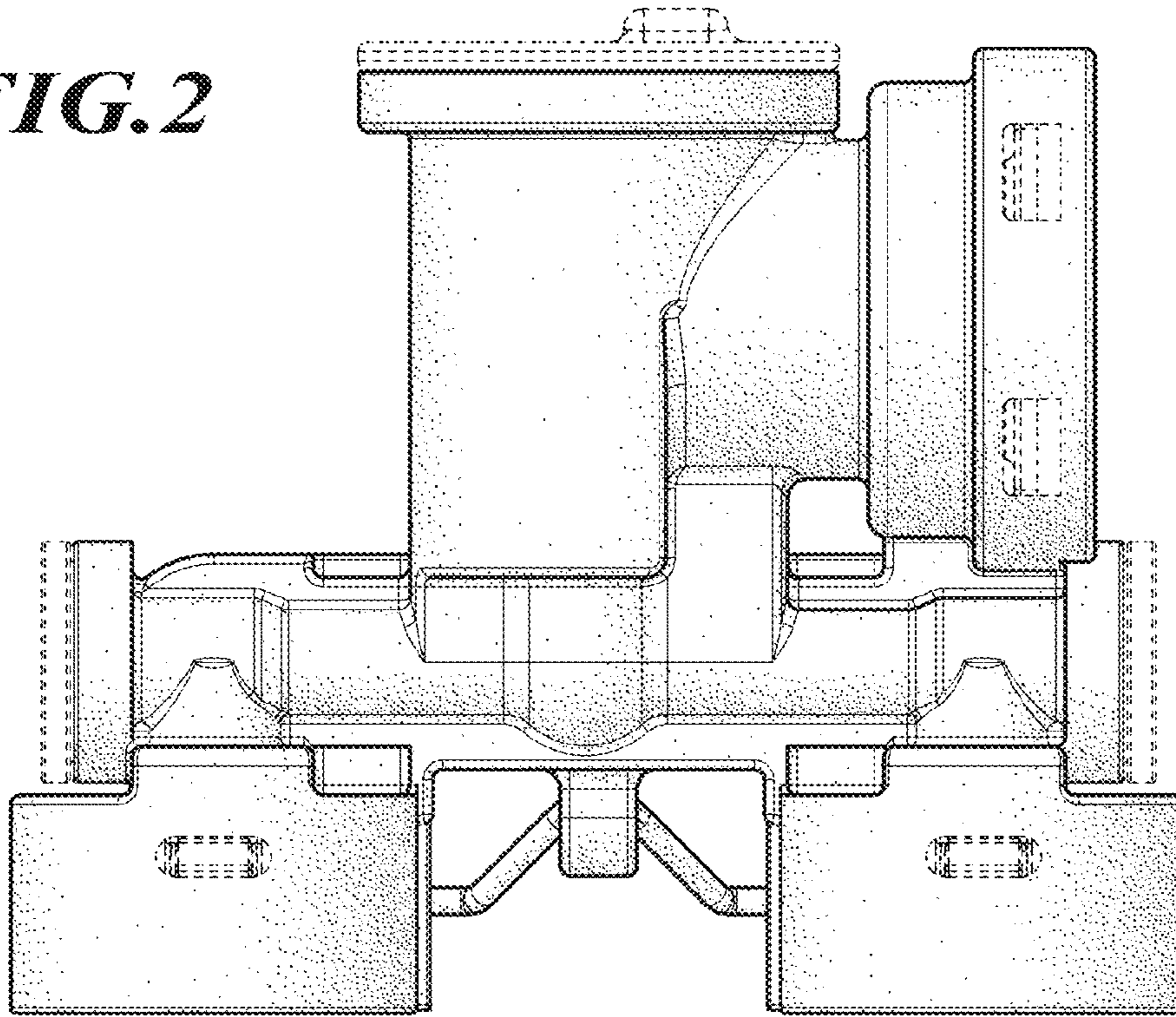




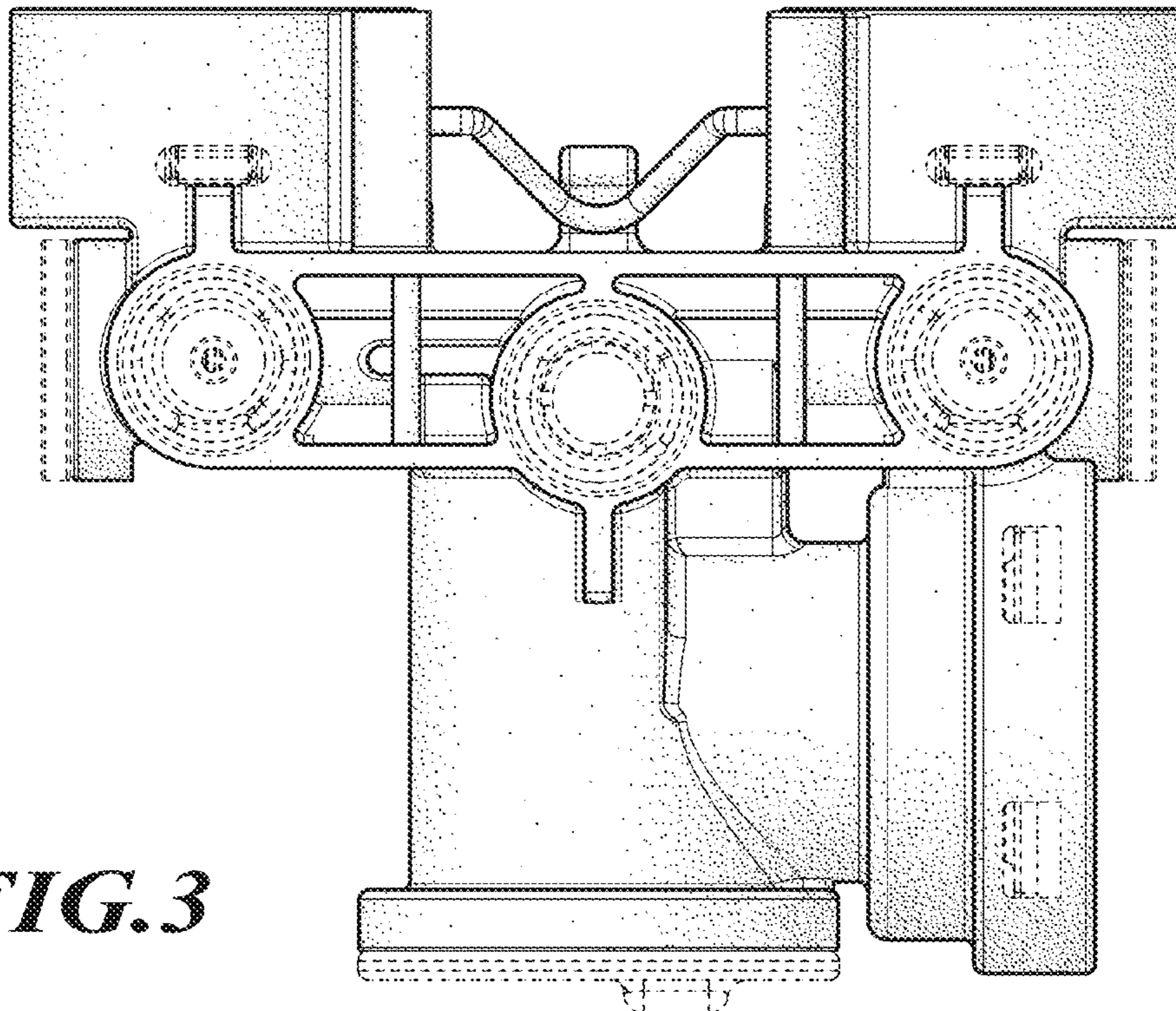
***FIG. 1***

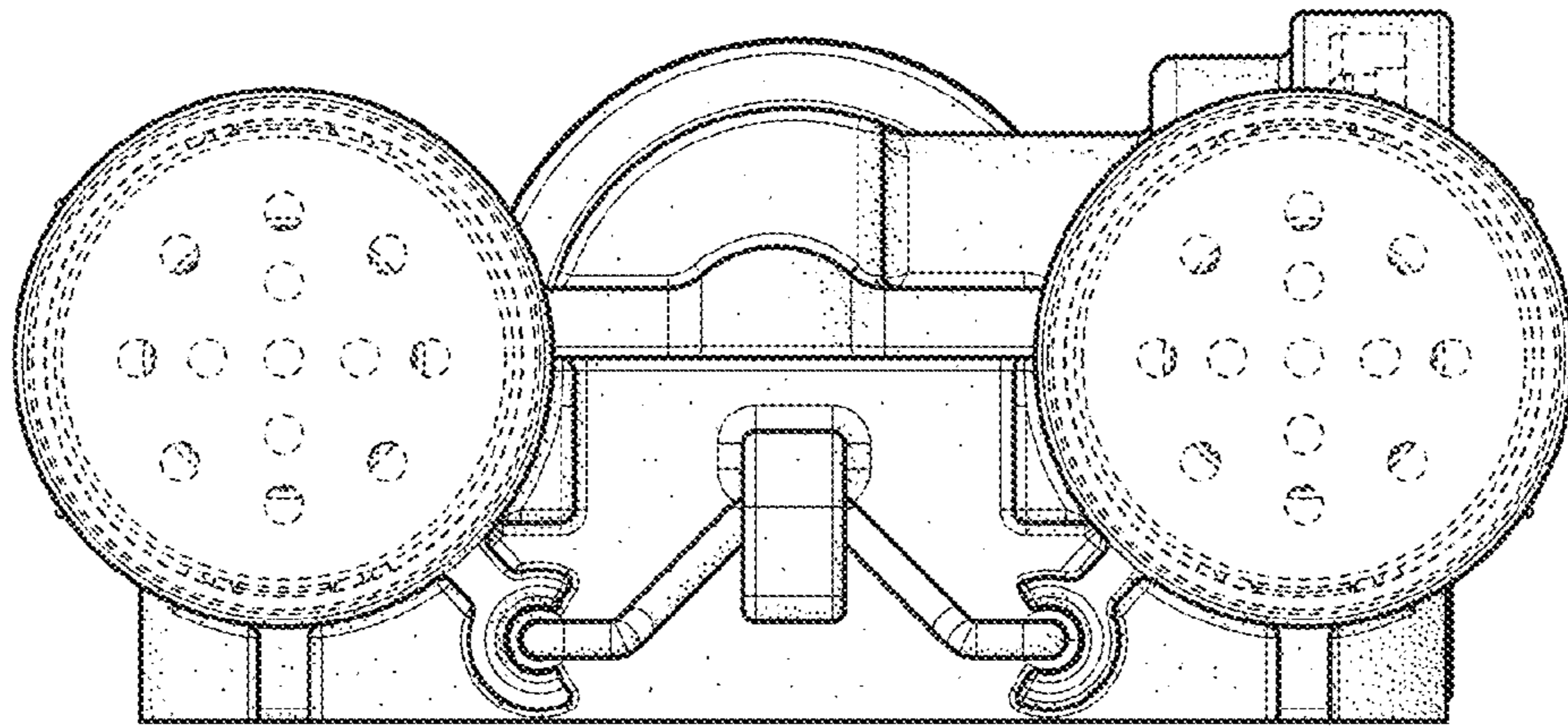


**FIG. 2**

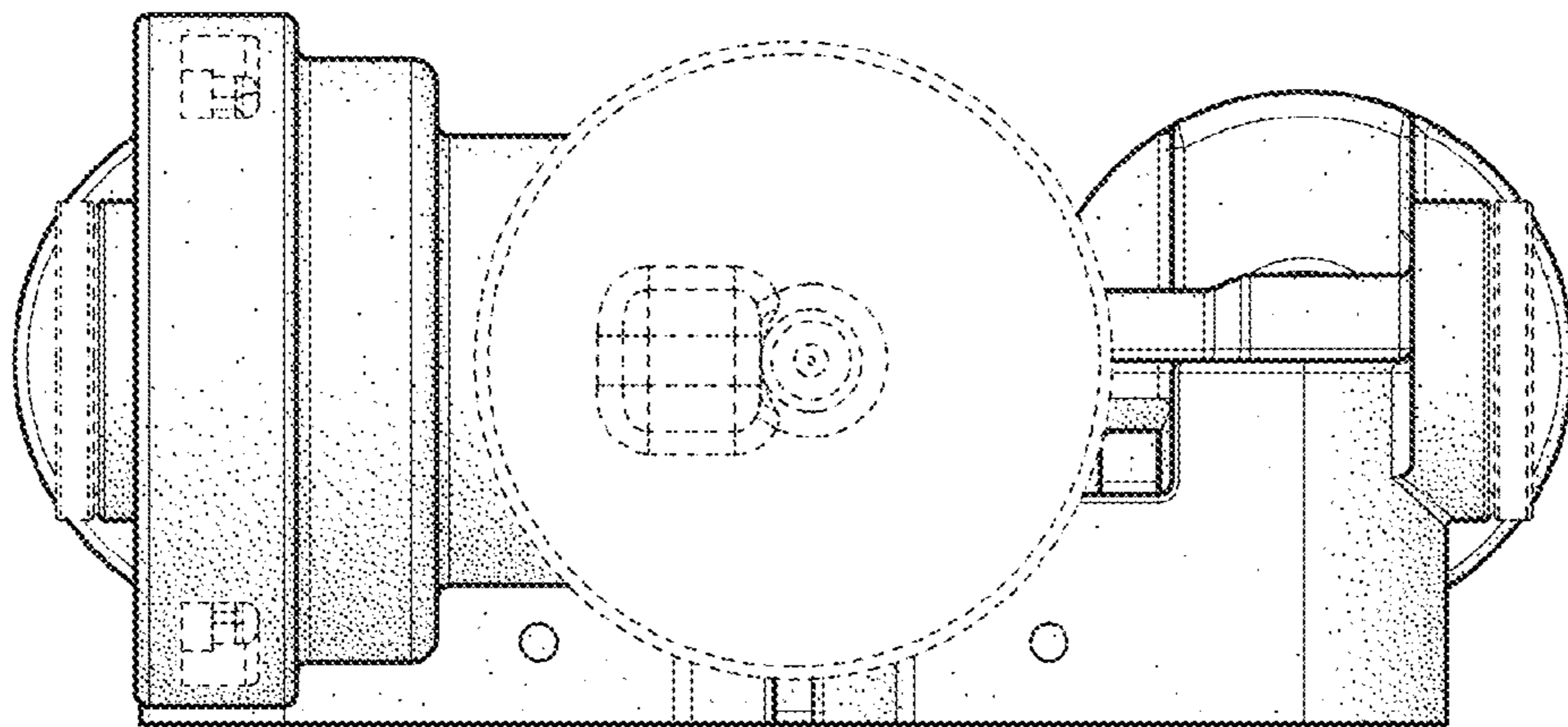


**FIG. 3**



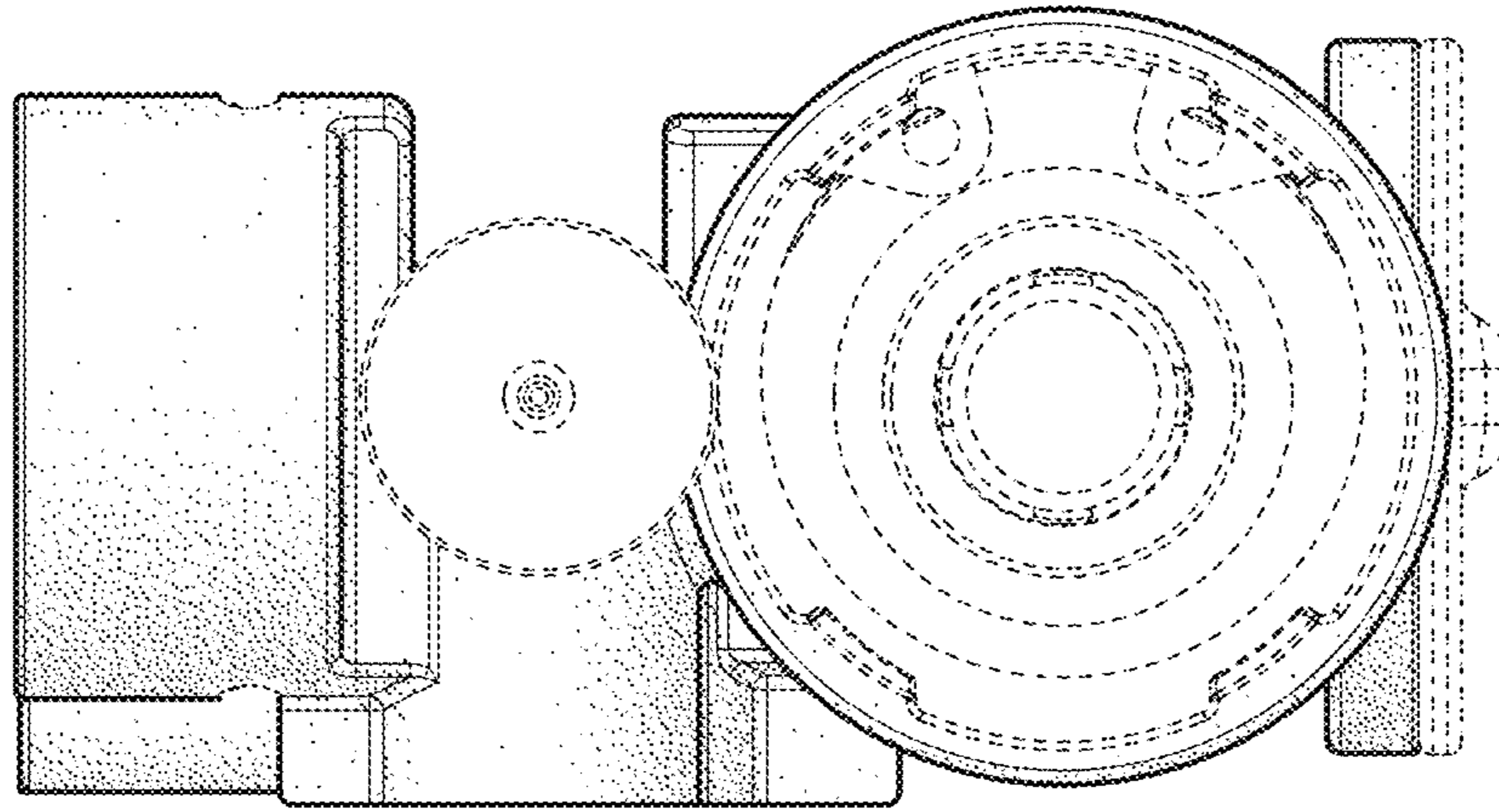


**FIG. 4**

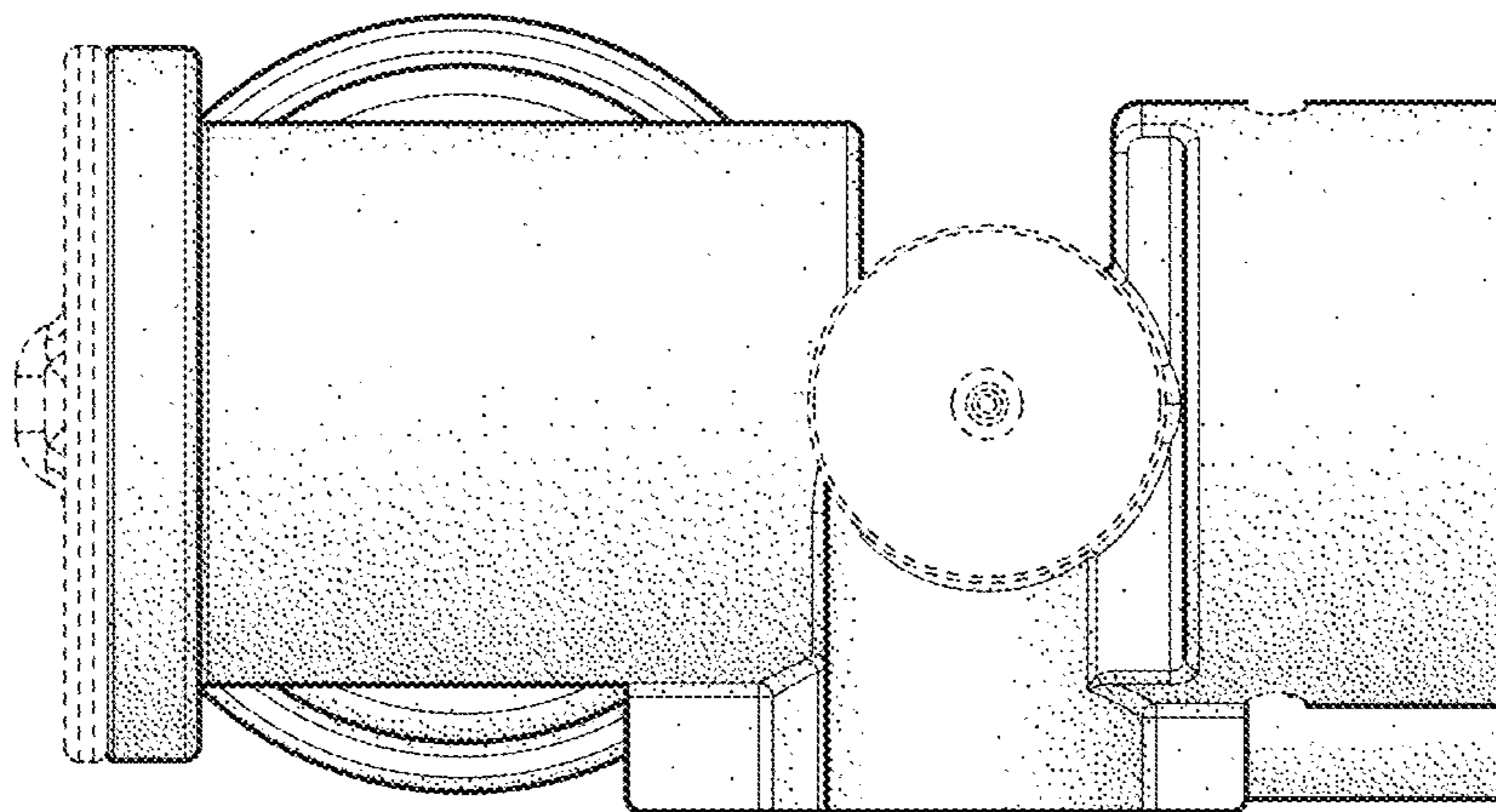


**FIG. 5**





***FIG. 6***



***FIG. 7***