



US00D761142S

(12) **United States Design Patent**
Golta et al.

(10) **Patent No.:** **US D761,142 S**
(45) **Date of Patent:** **** Jul. 12, 2016**

(54) **SPECTROPHOTOMETER**

(71) Applicant: **IMPLEN USA, INC.**, Westlake Village, CA (US)

(72) Inventors: **Karel Golta**, Hamburg (DE); **Patric Moammer**, Hamburg (DE); **Rui Li**, Neu-Ulm (DE); **Martin Sahiri**, Zomeding (DE); **Thomas Sahiri**, Calabasas, CA (US)

(73) Assignee: **IMPLEN USA, INC.**, Westlake Village, CA (US)

(**) Term: **14 Years**

(21) Appl. No.: **29/522,227**

(22) Filed: **Mar. 27, 2015**

(51) **LOC (10) Cl.** **10-04**

(52) **U.S. Cl.**
USPC **D10/81; D24/216**

(58) **Field of Classification Search**
USPC D10/81; D24/186, 216, 219, 232-234
CPC G01J 3/0291; G01J 3/0259; G01J 3/0256;
G01J 3/0272; G01J 1/02; G01J 1/0204;
G01J 1/0237; G01J 2003/0257; G01J
2003/0261; G01J 3/4532; G01J 3/45

See application file for complete search history.

(56) **References Cited**

U.S. PATENT DOCUMENTS

D373,315 S * 9/1996 Ninomiya D10/75
6,198,536 B1 * 3/2001 Baker G01J 3/50
250/226
D685,277 S * 7/2013 Ammon D10/81

* cited by examiner

Primary Examiner — Antoine D Davis

(74) *Attorney, Agent, or Firm* — Venable LLP; Henry J. Daley

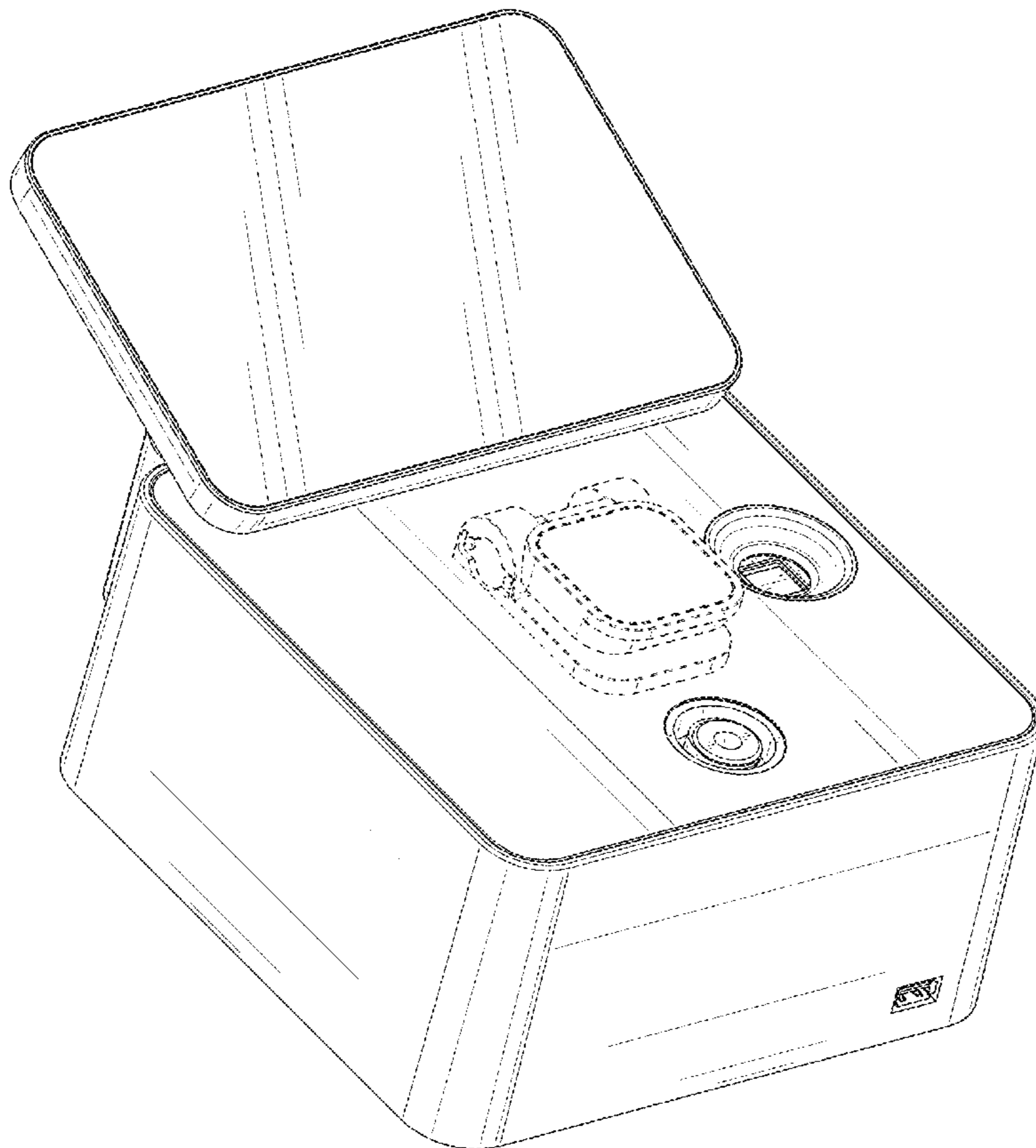
(57) **CLAIM**

The ornamental design for a spectrophotometer, as shown and described.

DESCRIPTION

FIG. 1 is a top perspective view of a spectrophotometer showing our design;
FIG. 2 is a front view of the spectrophotometer of FIG. 1;
FIG. 3 is a back view of the spectrophotometer of FIG. 1;
FIG. 4 is a left side view of the spectrophotometer of FIG. 1;
FIG. 5 is a right side view of the spectrophotometer of FIG. 1;
FIG. 6 is a top view of the spectrophotometer of FIG. 1; and,
FIG. 7 is a bottom view of the spectrophotometer of FIG. 1.
The dashed lines shown in FIGS. 1-7 form no part of the claimed design.

1 Claim, 7 Drawing Sheets



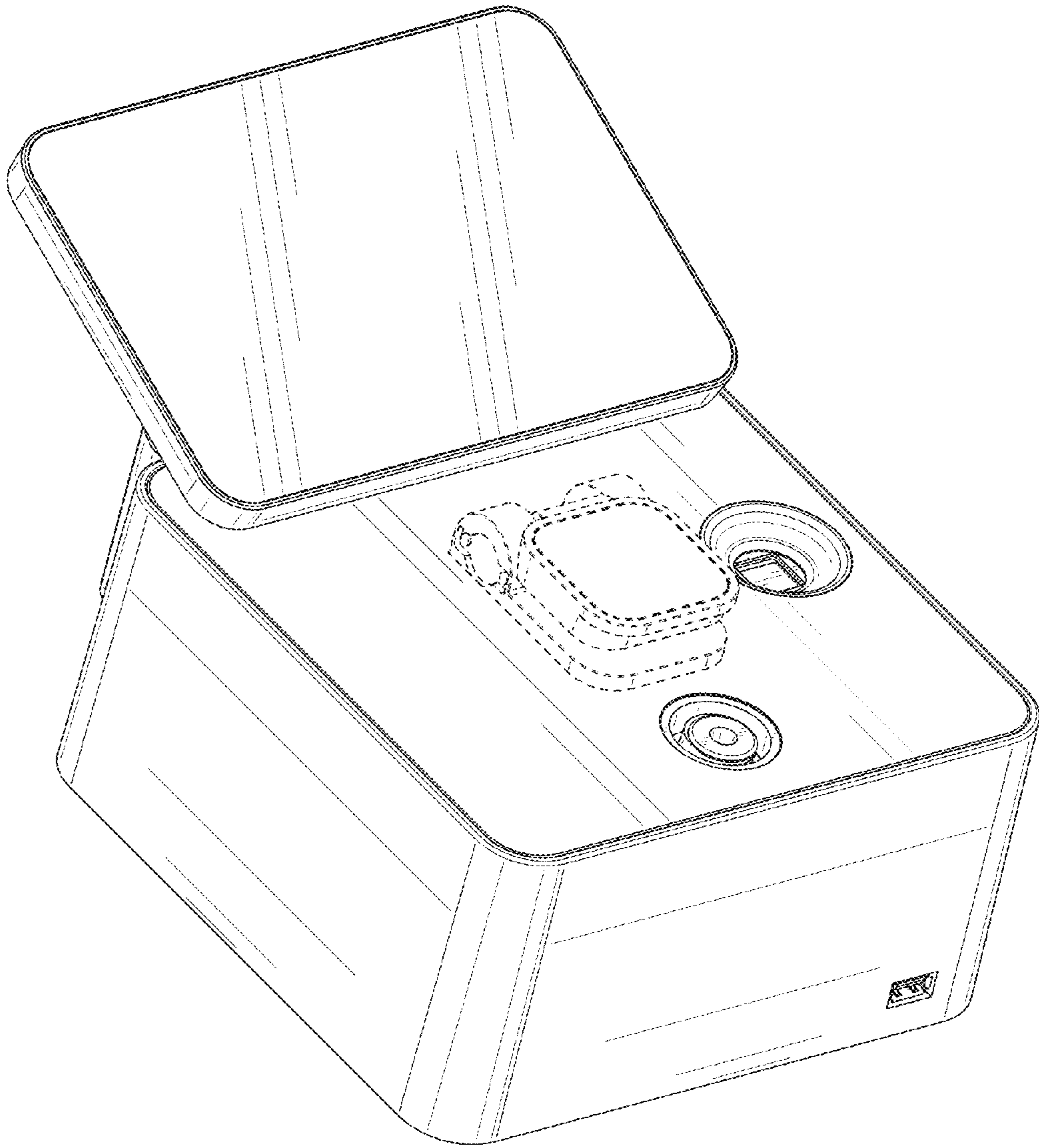


FIG. 1

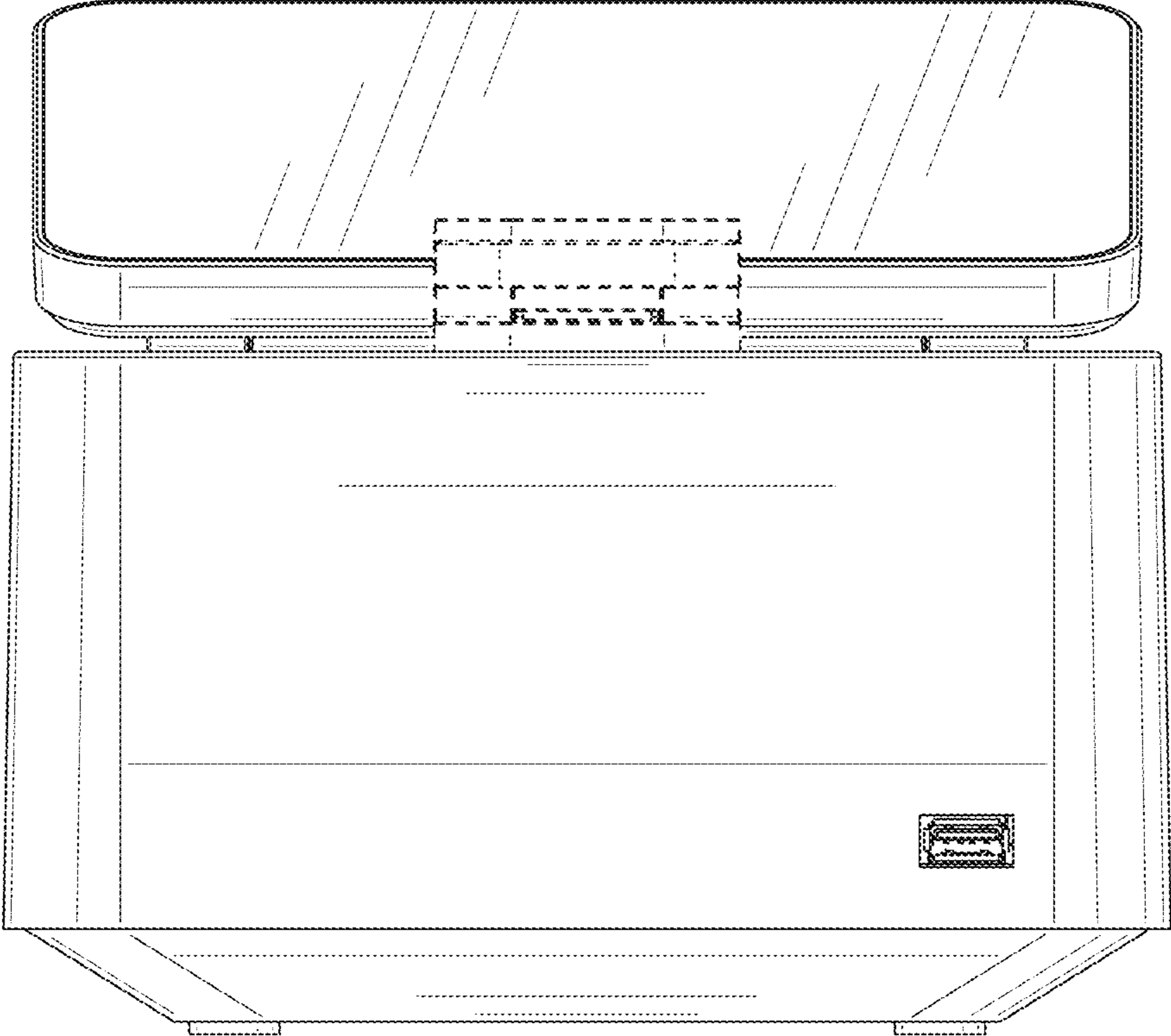


FIG. 2

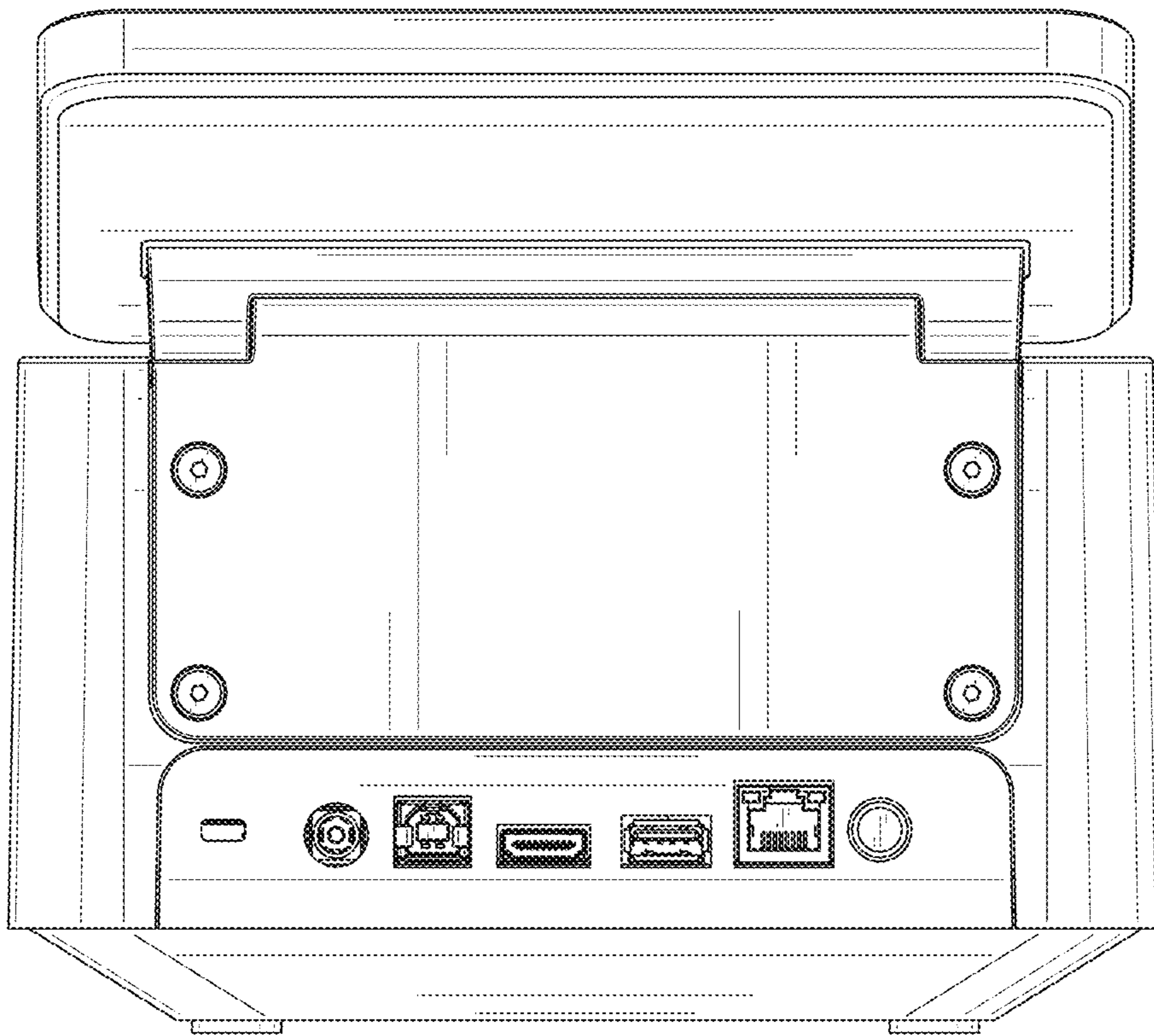


FIG. 3

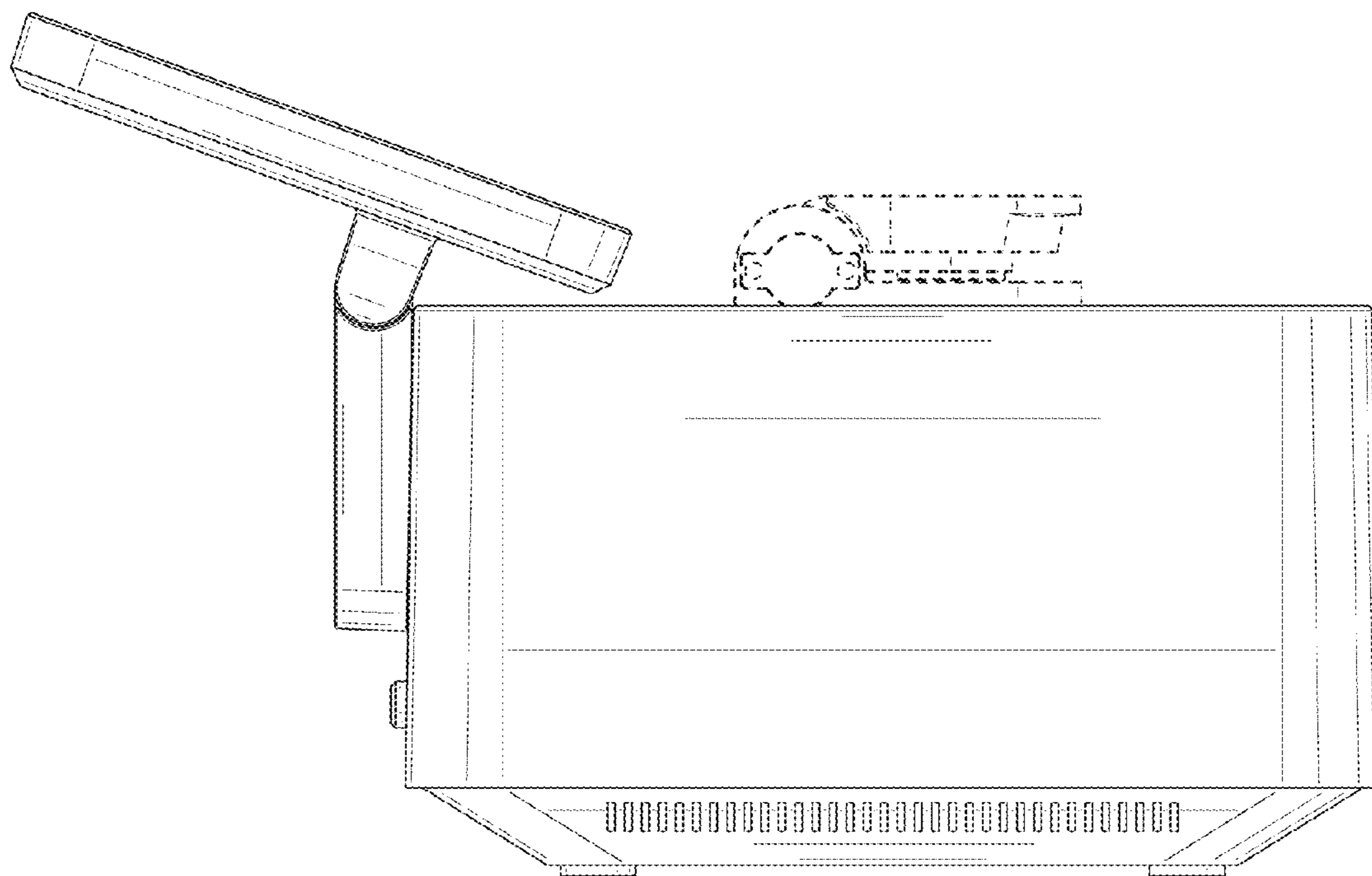


FIG. 4

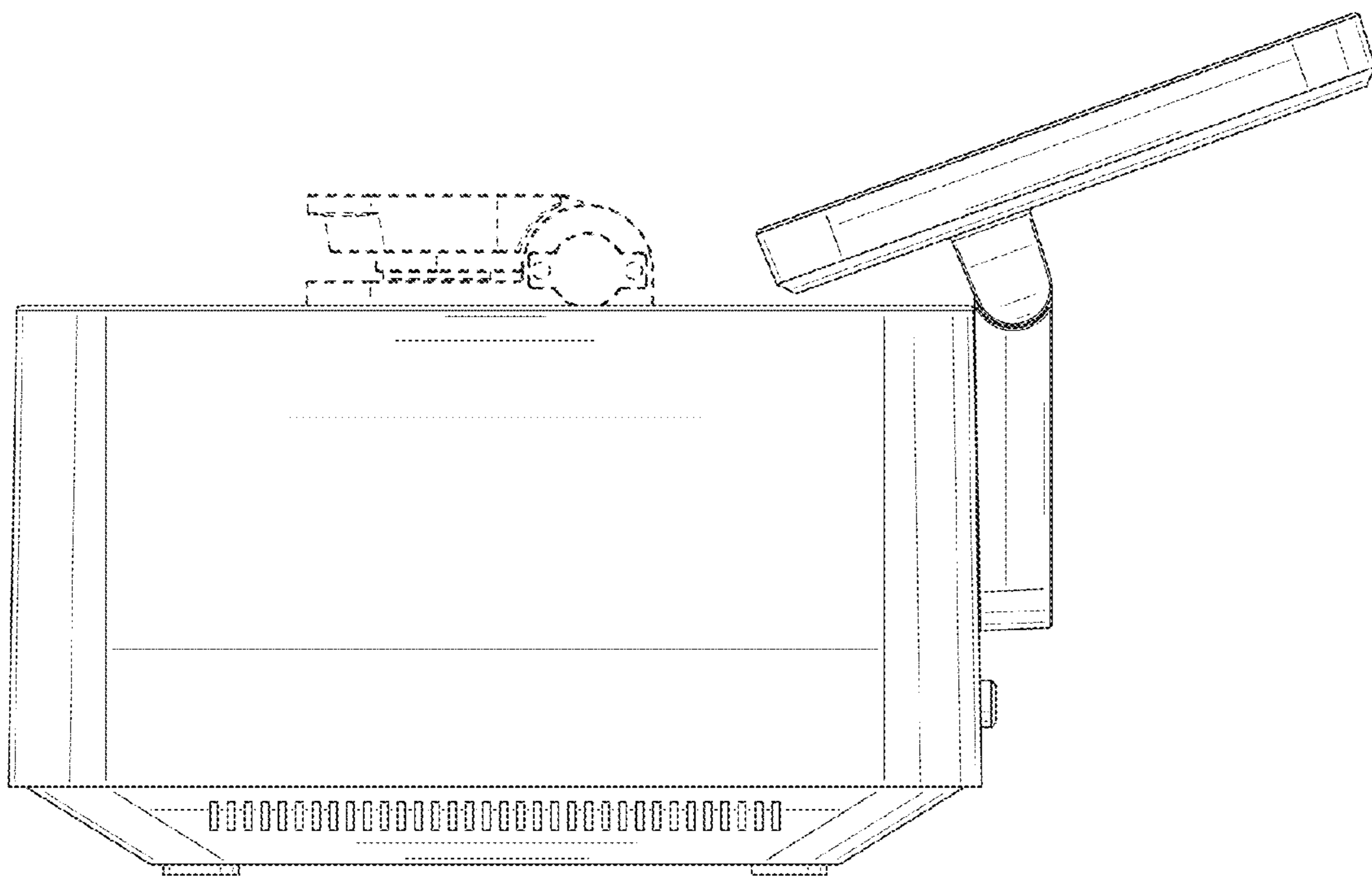


FIG. 5

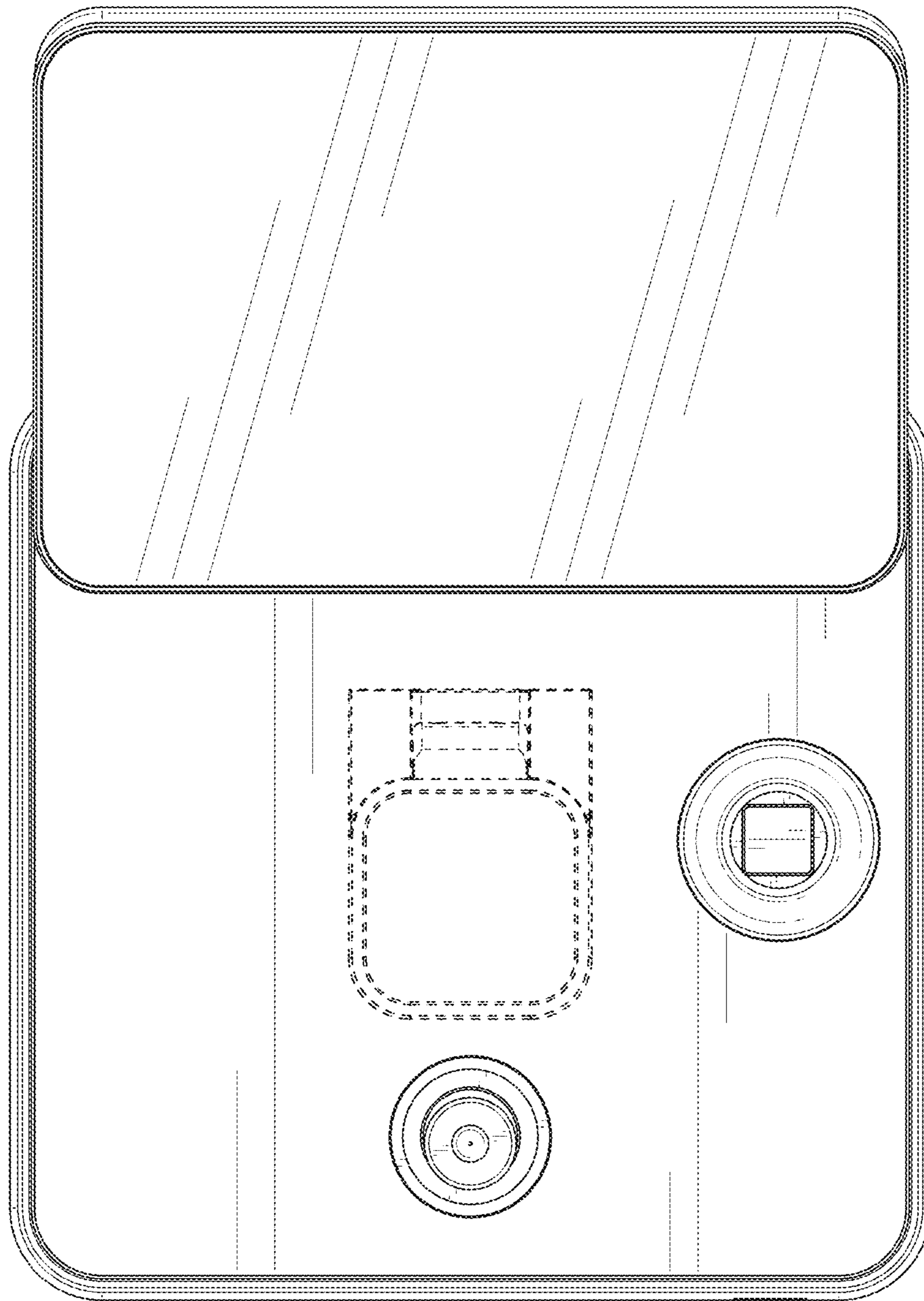


FIG. 6

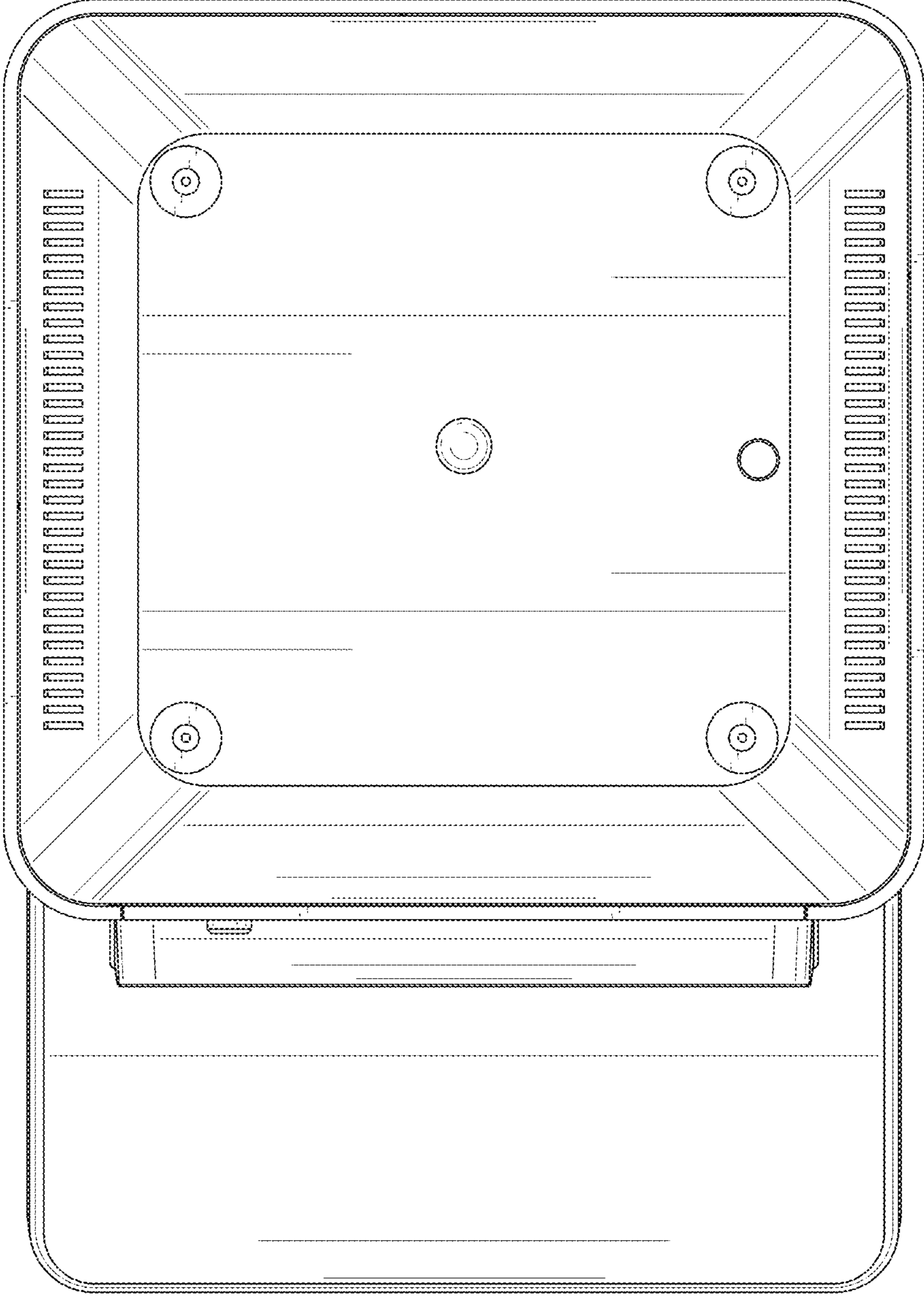


FIG. 7

UNITED STATES PATENT AND TRADEMARK OFFICE
CERTIFICATE OF CORRECTION

PATENT NO. : D761,142 S
APPLICATION NO. : 29/522227
DATED : July 12, 2016
INVENTOR(S) : Karel Golta et al.

Page 1 of 1

It is certified that error appears in the above-identified patent and that said Letters Patent is hereby corrected as shown below:

TITLE PAGE

Item (72) Inventors:

The city of residence for Martin Sahiri list as "Zomeding (DE)" should be changed to
--Zorneding (DE)--

Signed and Sealed this
Fourth Day of October, 2016



Michelle K. Lee
Director of the United States Patent and Trademark Office