



US00D761141S

(12) **United States Design Patent**
Wimmer, IV

(10) **Patent No.:** **US D761,141 S**
(45) **Date of Patent:** **** Jul. 12, 2016**

(54) **LARGE IDENTIFICATION TAG FOR A FITNESS DEVICE**

(71) Applicant: **ROAD ID, INC.**, Erlanger, KY (US)

(72) Inventor: **Edward M. Wimmer, IV**, Lakeside Park, KY (US)

(73) Assignee: **ROAD ID, INC.**, Erlanger, KY (US)

(**) Term: **14 Years**

(21) Appl. No.: **29/523,274**

(22) Filed: **Apr. 8, 2015**

(51) **LOC (10) Cl.** **14-02**

(52) **U.S. Cl.**
USPC **D10/80**; D10/74

(58) **Field of Classification Search**
USPC D10/30-39, 65, 70, 74, 78, 80, 97, 98;
D11/3; D14/138 R, 203.5, 203.6, 341,
D14/344, 347; D18/2, 4.4, 4.5, 12;
D24/167, 168
CPC A44C 5/00-5/16; G04B 37/00-37/228;
G04B 45/0069; G04B 47/04; G04B
19/00-19/34; G04B 21/12; G04B 23/12;
G04B 47/00-47/068; G01C 17/00; G01C
21/00-21/3697

See application file for complete search history.

(56) **References Cited**

U.S. PATENT DOCUMENTS

D715,665 S *	10/2014	Park	D10/70
D726,052 S *	4/2015	Henning	D10/70
D729,087 S *	5/2015	Phillips	D10/103
D729,646 S *	5/2015	Phillips	D10/103
D749,002 S *	2/2016	Park	D10/70

* cited by examiner

Primary Examiner — Antoine D Davis
(74) *Attorney, Agent, or Firm* — Sand & Sebolt

(57) **CLAIM**
The ornamental design for a large identification tag for a fitness device, as shown and described.

DESCRIPTION

FIG. 1 is a perspective view of the large identification tag for a fitness device in accordance with my design;
FIG. 2 is left side view thereof;
FIG. 3 is a right side view thereof;
FIG. 4 is a top view thereof;
FIG. 5 is a bottom view thereof;
FIG. 6 is a right end view thereof; and,
FIG. 7 is a left end view thereof.
The broken lines illustrate portions of the environment in which the identification tag is used which form no part of the claimed design.

1 Claim, 2 Drawing Sheets

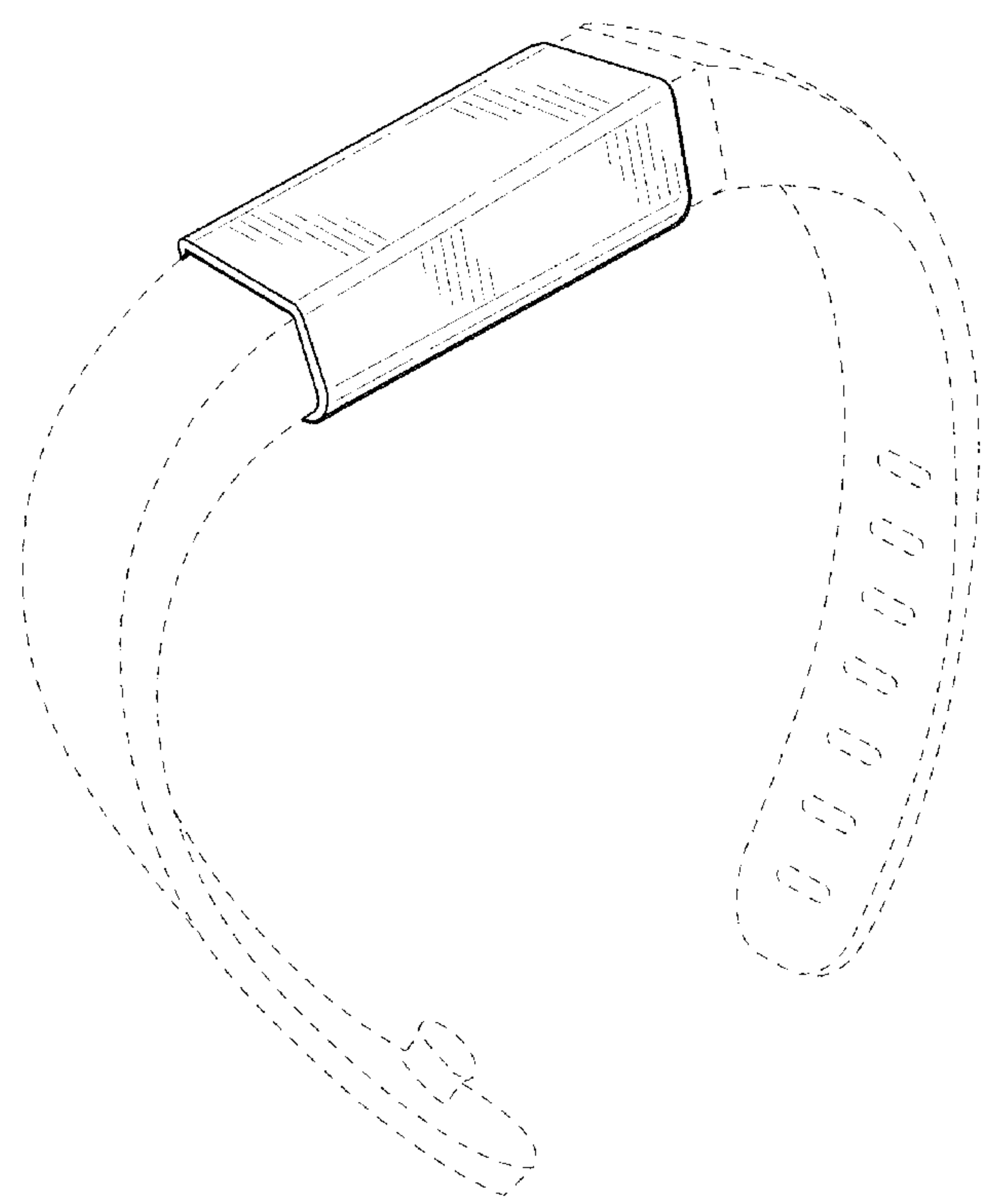
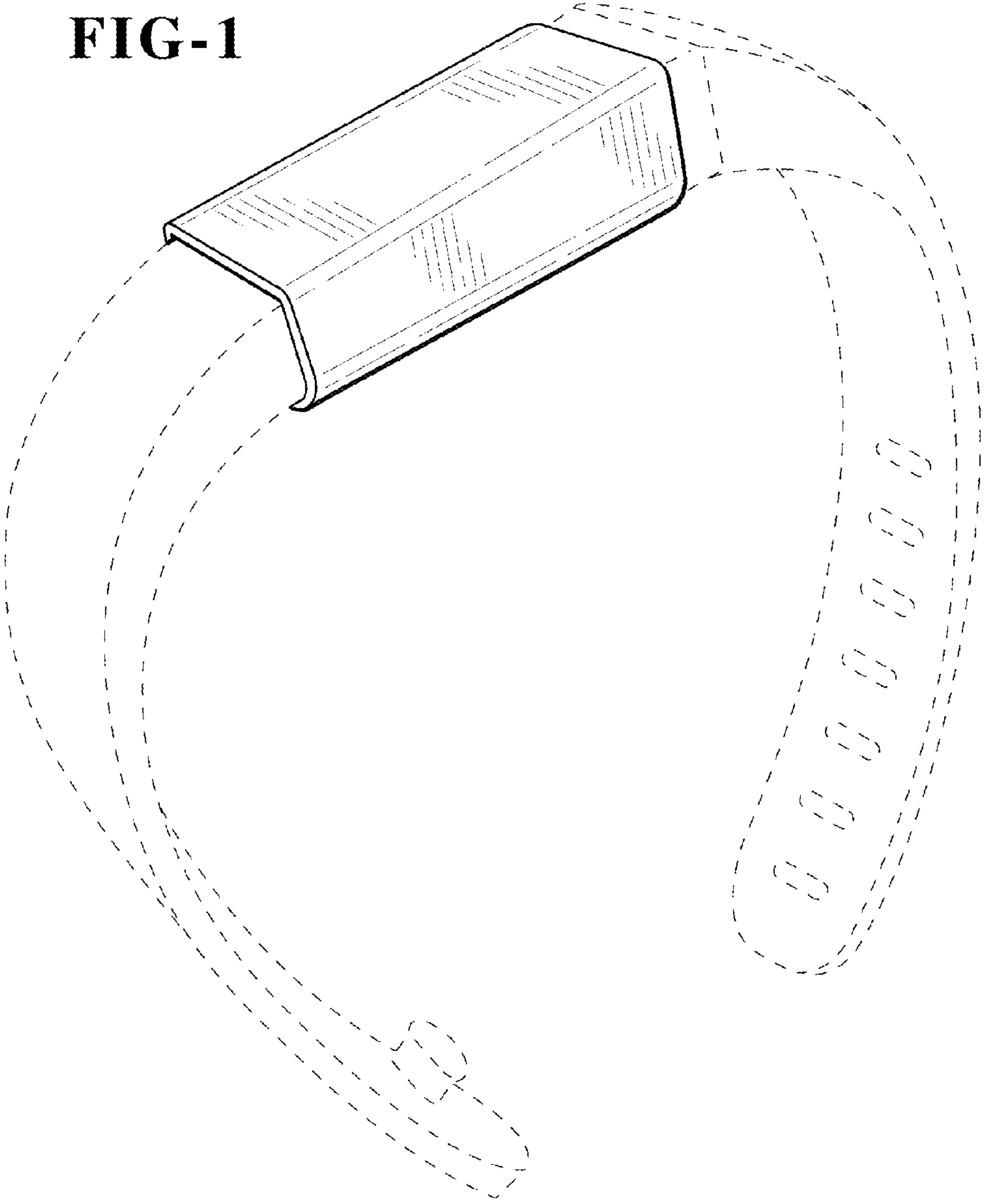


FIG-1



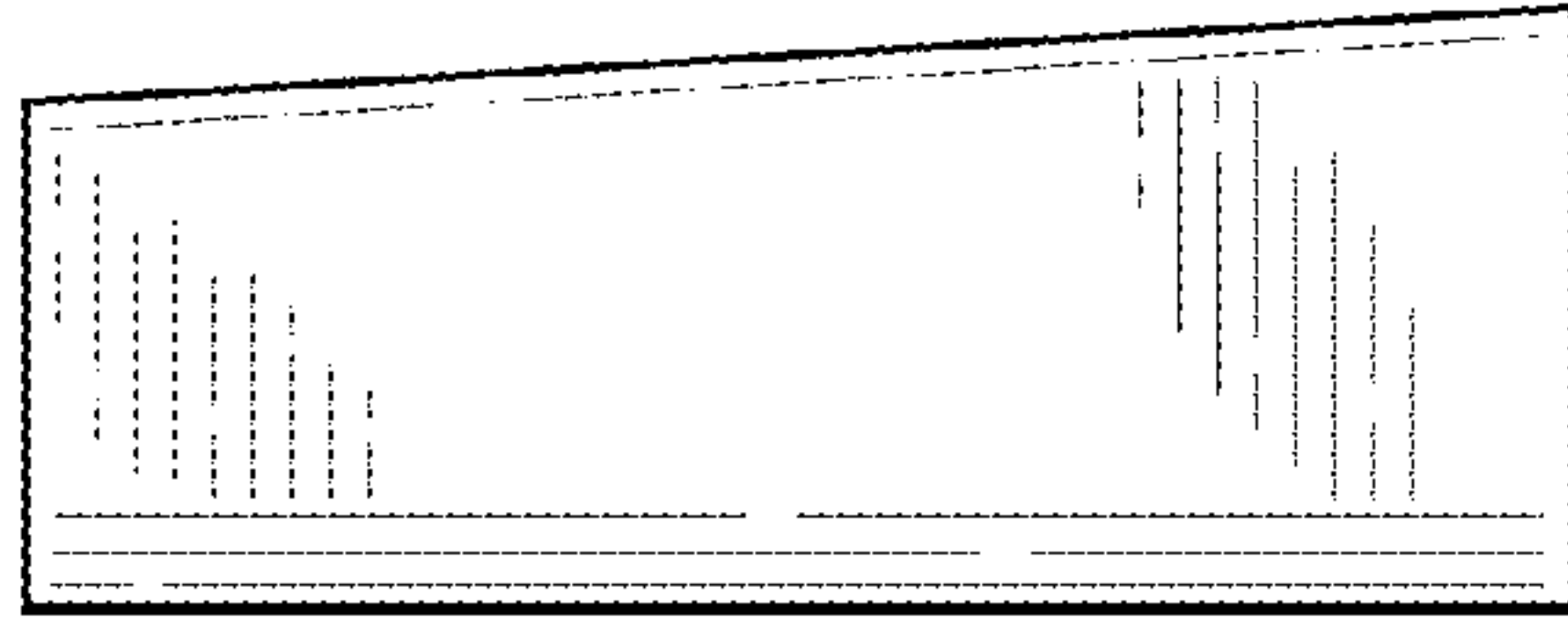


FIG-2

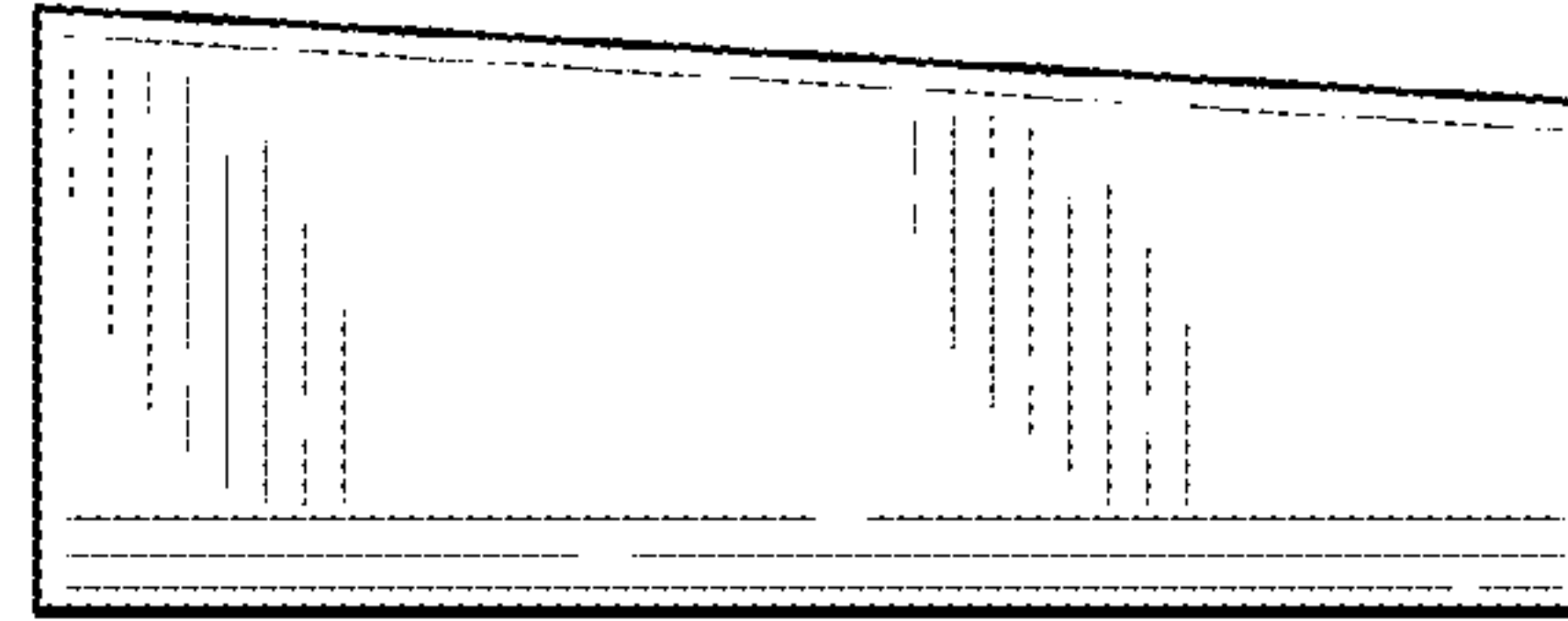


FIG-3

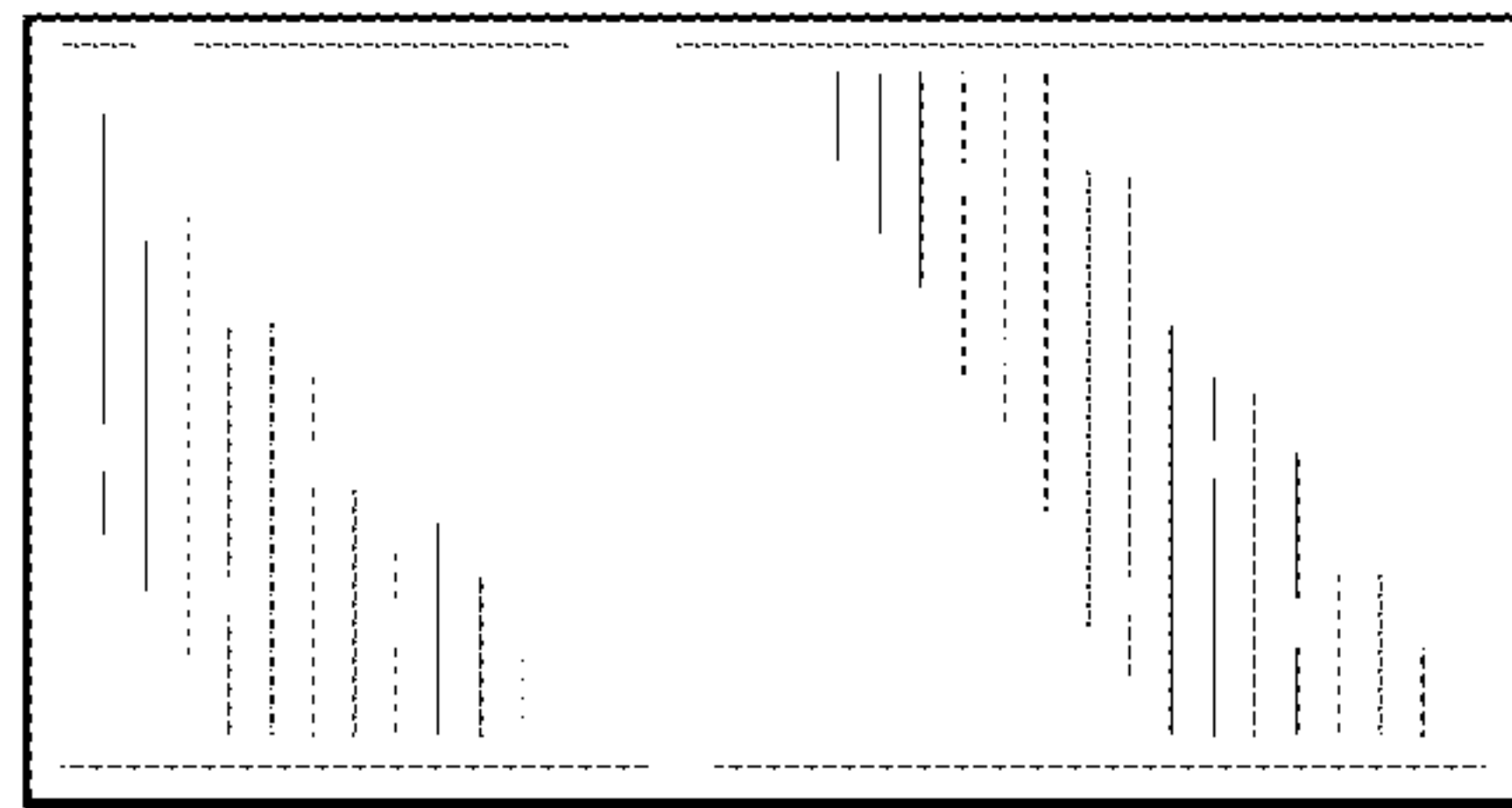


FIG-4

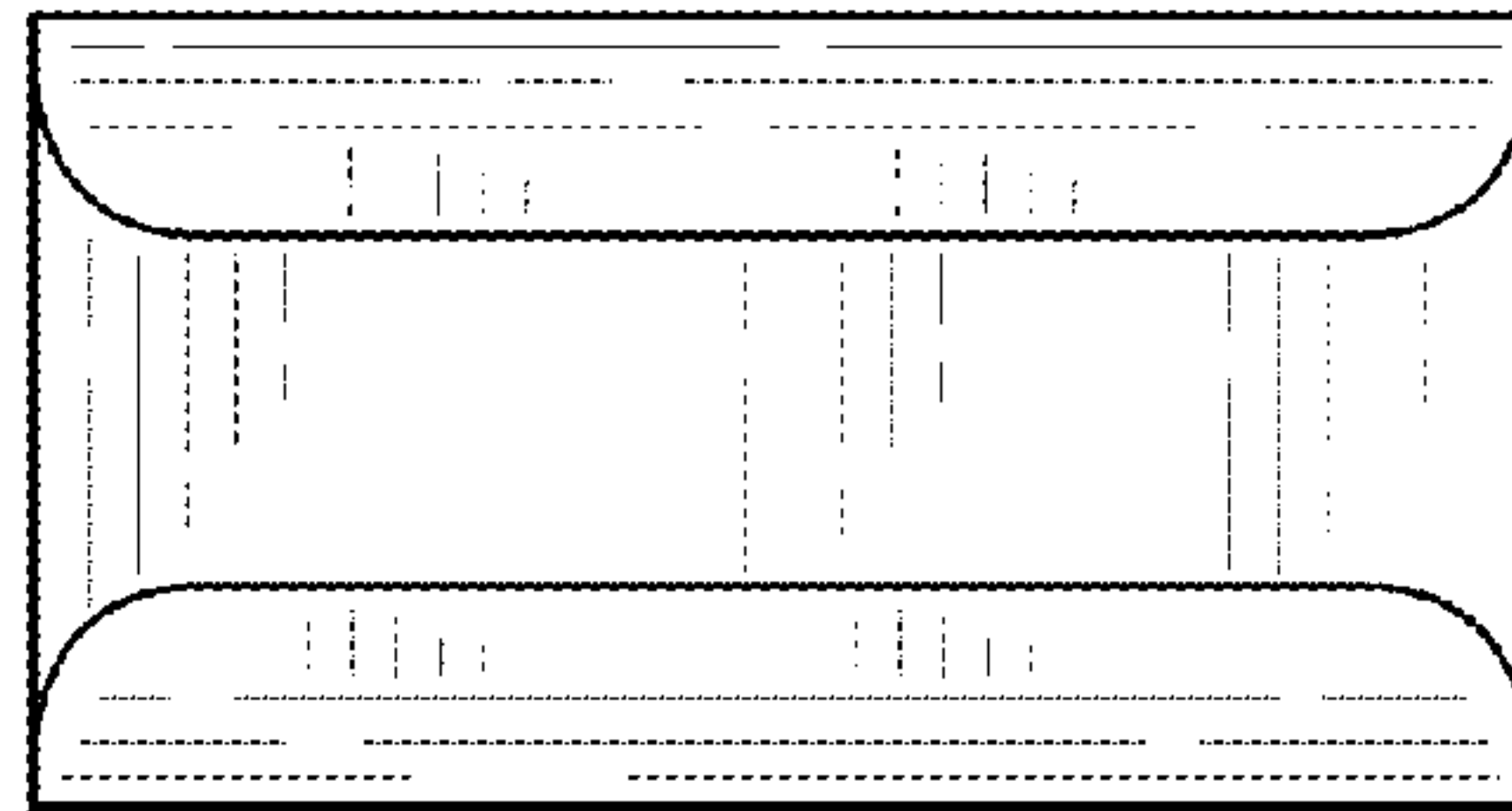


FIG-5

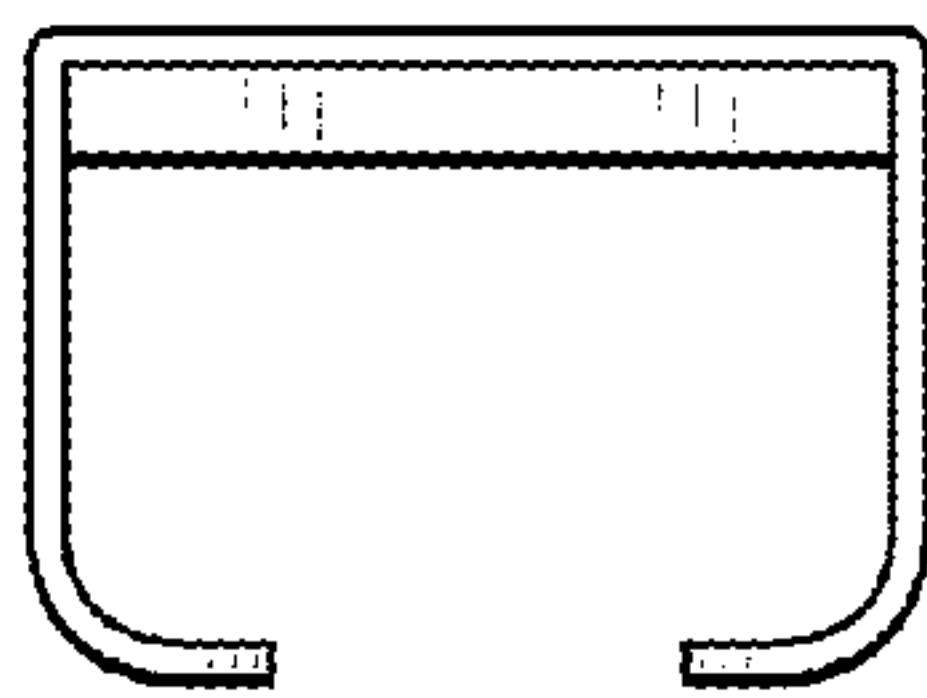


FIG-6

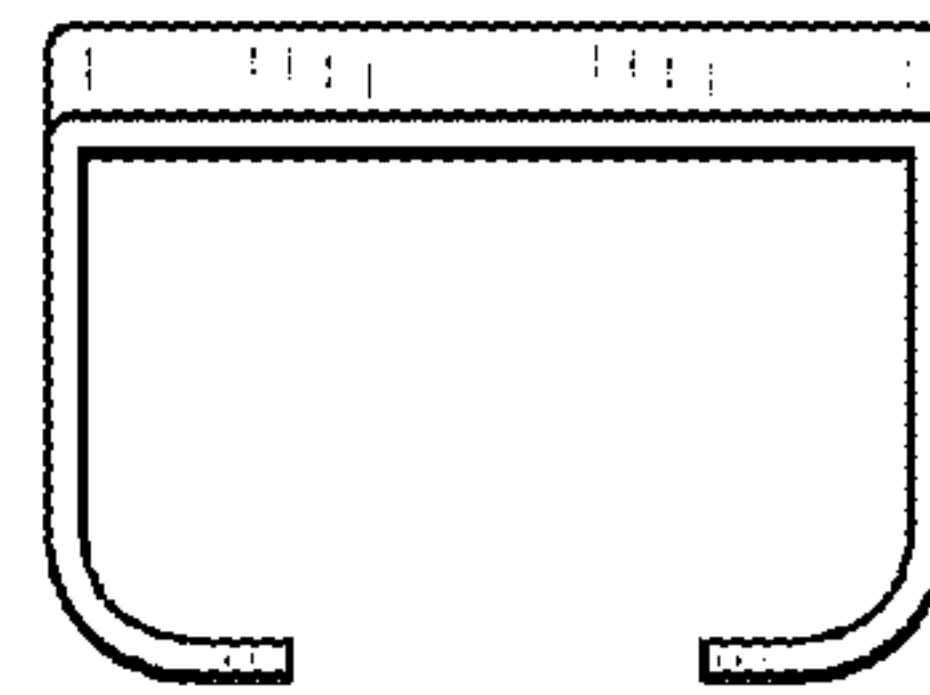


FIG-7