



US00D761140S

(12) **United States Design Patent**  
**Wimmer, IV**

(10) **Patent No.:** **US D761,140 S**  
(45) **Date of Patent:** **\*\* Jul. 12, 2016**

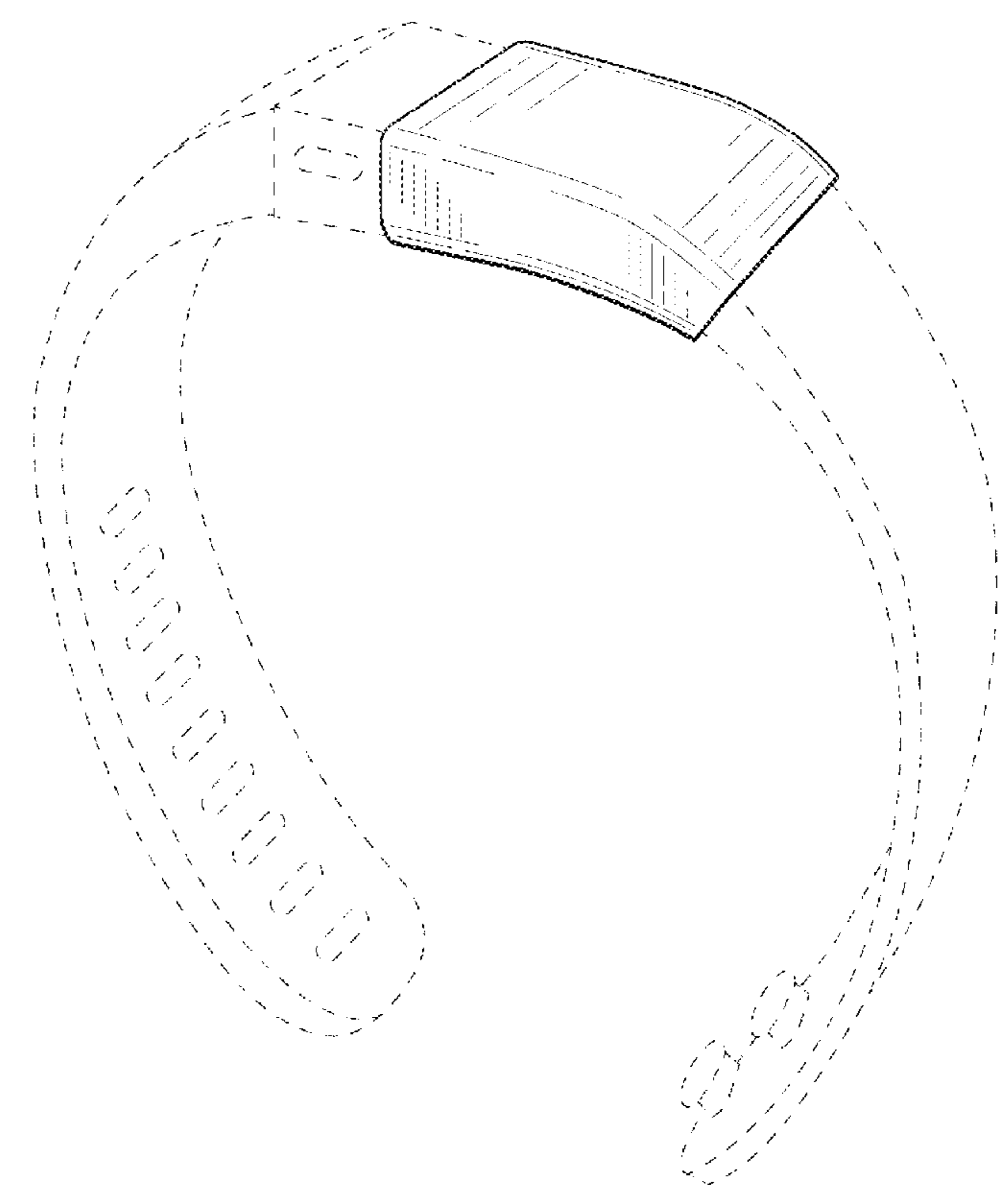
- (54) **SMALL IDENTIFICATION TAG FOR A FITNESS DEVICE**
- (71) Applicant: **ROAD ID, INC.**, Erlanger, KY (US)
- (72) Inventor: **Edward M. Wimmer, IV**, Lakeside Park, KY (US)
- (73) Assignee: **ROAD ID, INC.**, Erlanger, KY (US)
- (\*\*) Term: **14 Years**
- (21) Appl. No.: **29/523,270**
- (22) Filed: **Apr. 8, 2015**
- (51) **LOC (10) Cl.** ..... **14-02**
- (52) **U.S. Cl.**  
USPC ..... **D10/80; D10/74**
- (58) **Field of Classification Search**  
USPC ..... D10/30-39, 65, 70, 74, 78, 80, 97, 98;  
D11/3; D14/138 R, 203.5, 203.6, 341,  
D14/344, 347; D18/2, 4.4, 4.5, 12;  
D24/167, 168  
CPC ..... A44C 5/00-5/16; G04B 37/00-37/228;  
G04B 45/0069; G04B 47/04; G04B  
19/00-19/34; G04B 21/12; G04B 23/12;  
G04B 47/00-47/068; G01C 17/00; G01C  
21/00-21/3697  
See application file for complete search history.

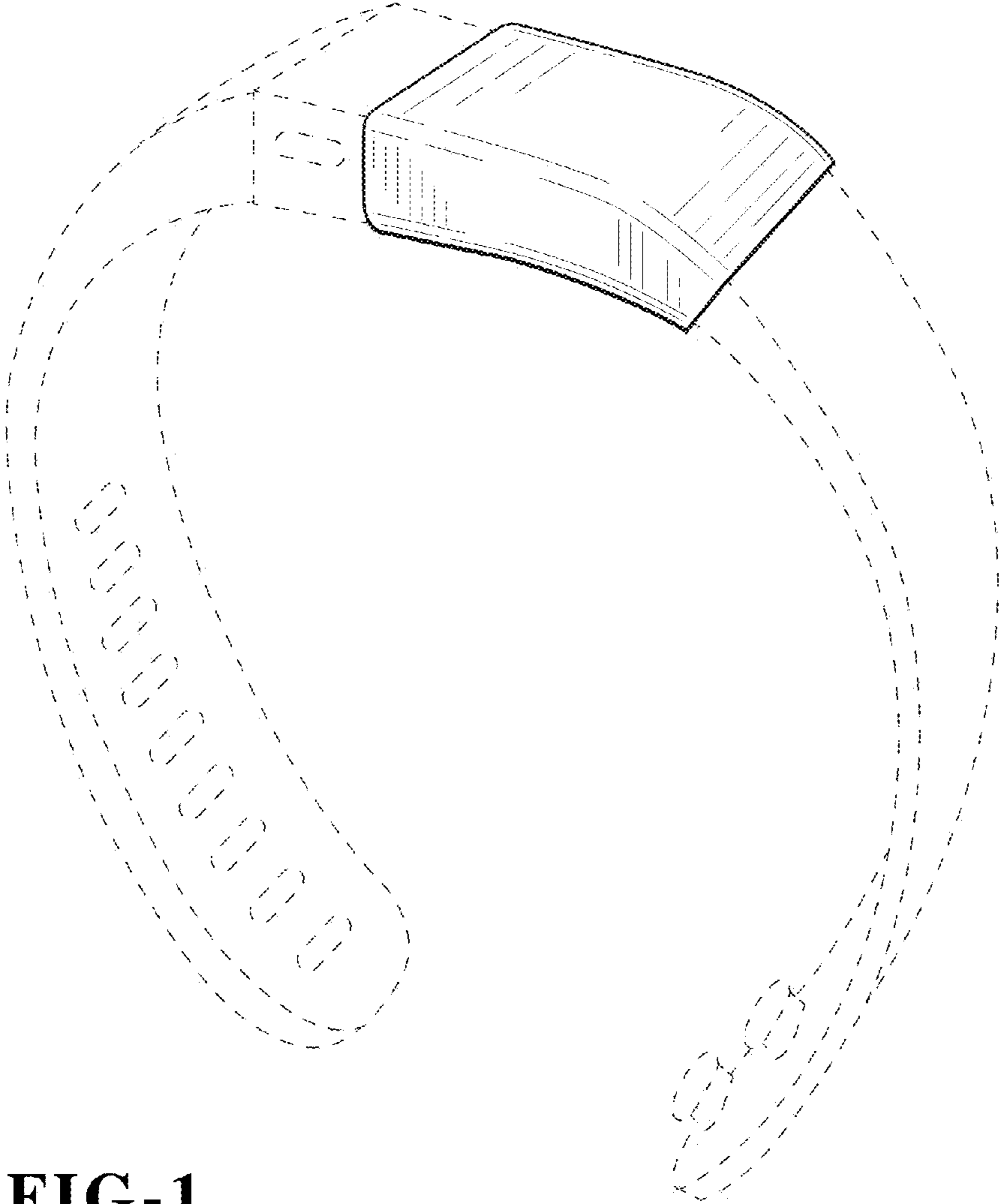
- (56) **References Cited**  
U.S. PATENT DOCUMENTS  
D715,665 S \* 10/2014 Park ..... D10/70  
D726,052 S \* 4/2015 Henning ..... D10/70  
D729,087 S \* 5/2015 Phillips ..... D10/103  
D729,646 S \* 5/2015 Phillips ..... D10/103  
D749,002 S \* 2/2016 Park ..... D10/70  
\* cited by examiner  
*Primary Examiner* — Antoine D Davis  
(74) *Attorney, Agent, or Firm* — Sand & Sebolt

(57) **CLAIM**  
The ornamental design for a small identification tag for a fitness device, as shown and described.

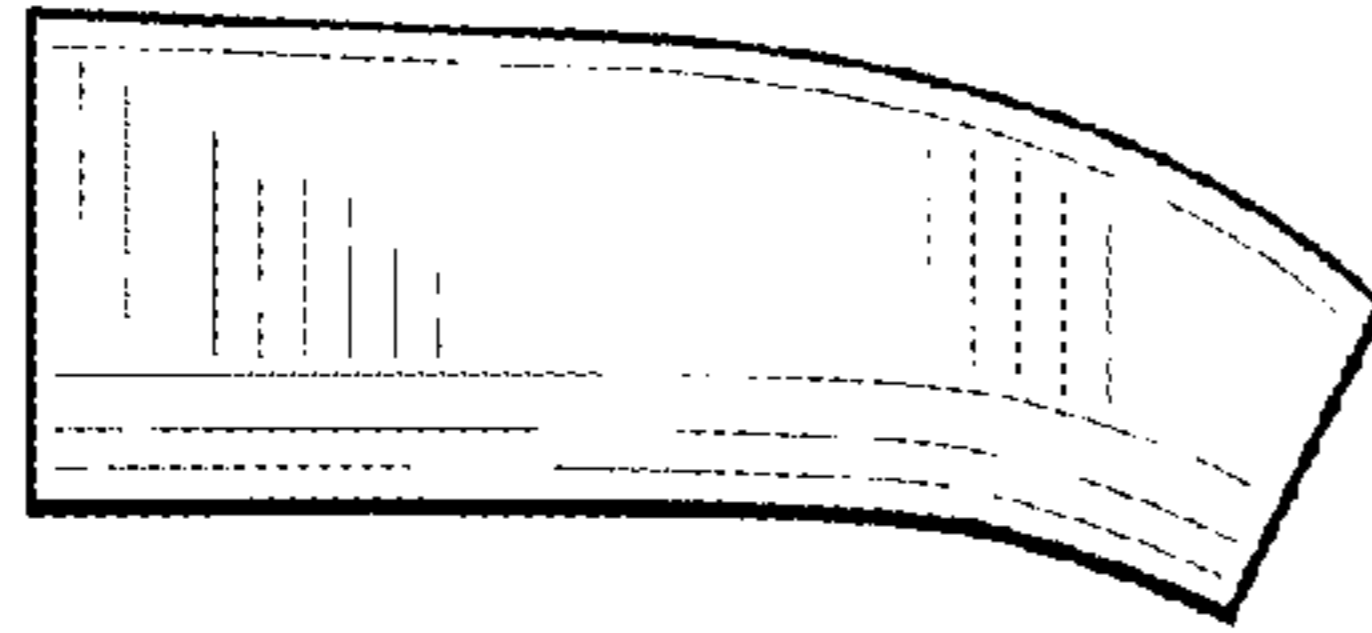
**DESCRIPTION**  
FIG. 1 is a perspective view of the small identification tag for a fitness device in accordance with my design;  
FIG. 2 is left side view thereof;  
FIG. 3 is a right side view thereof;  
FIG. 4 is a top view thereof;  
FIG. 5 is a bottom view thereof;  
FIG. 6 is a right end view thereof; and,  
FIG. 7 is a left end view thereof.  
The broken lines illustrate portions of the environment in which the identification tag is used which form no part of the claimed design.

**1 Claim, 2 Drawing Sheets**

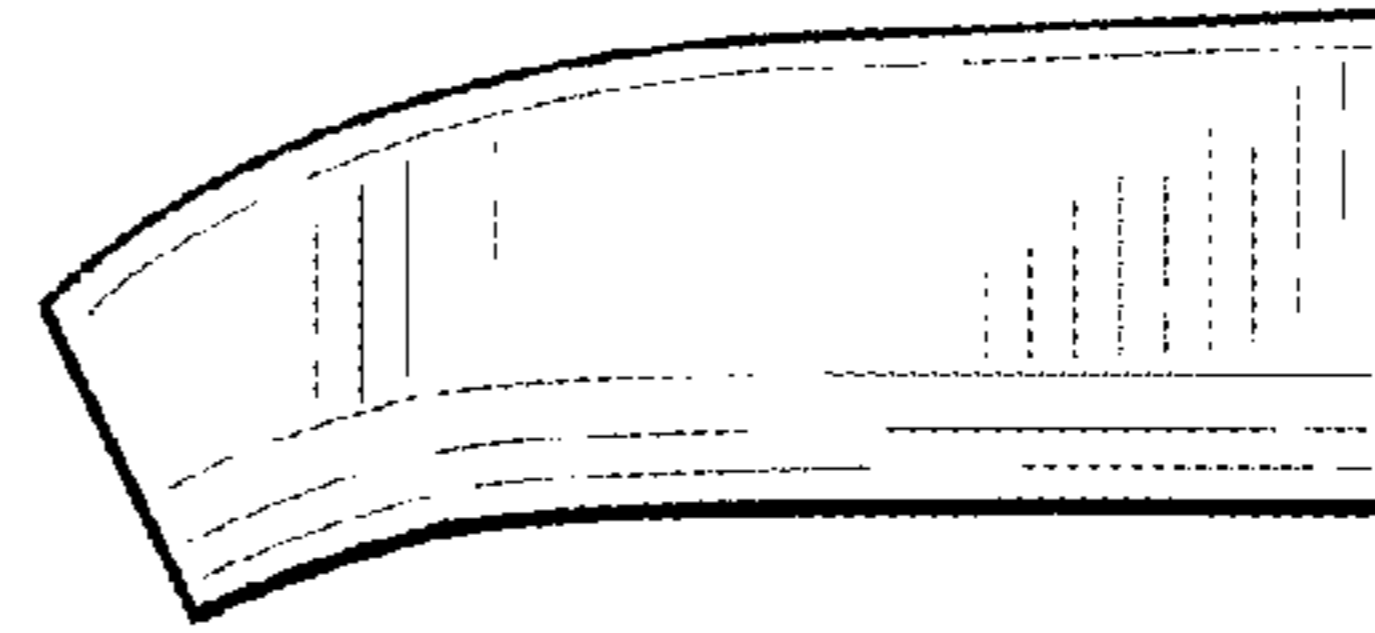




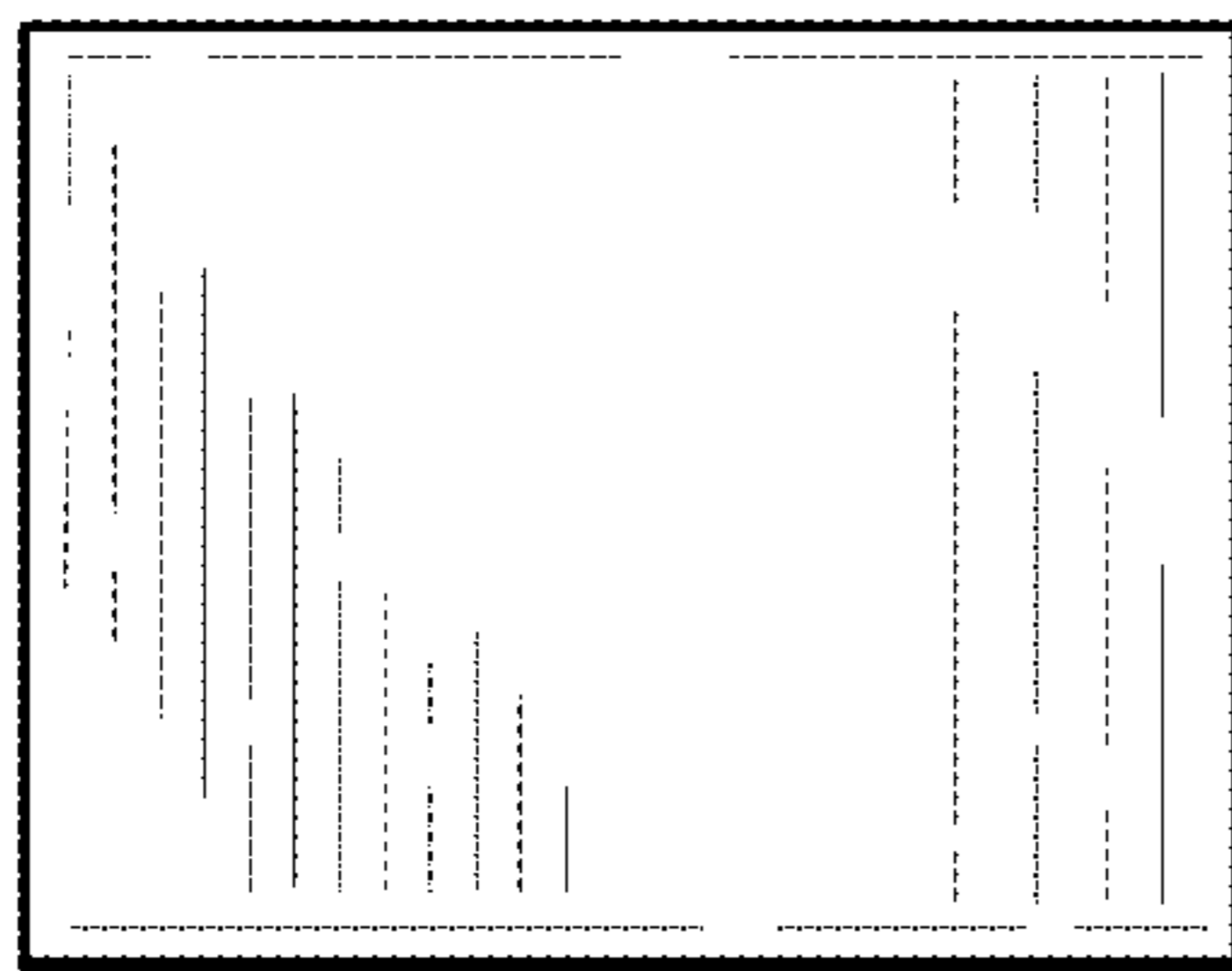
**FIG-1**



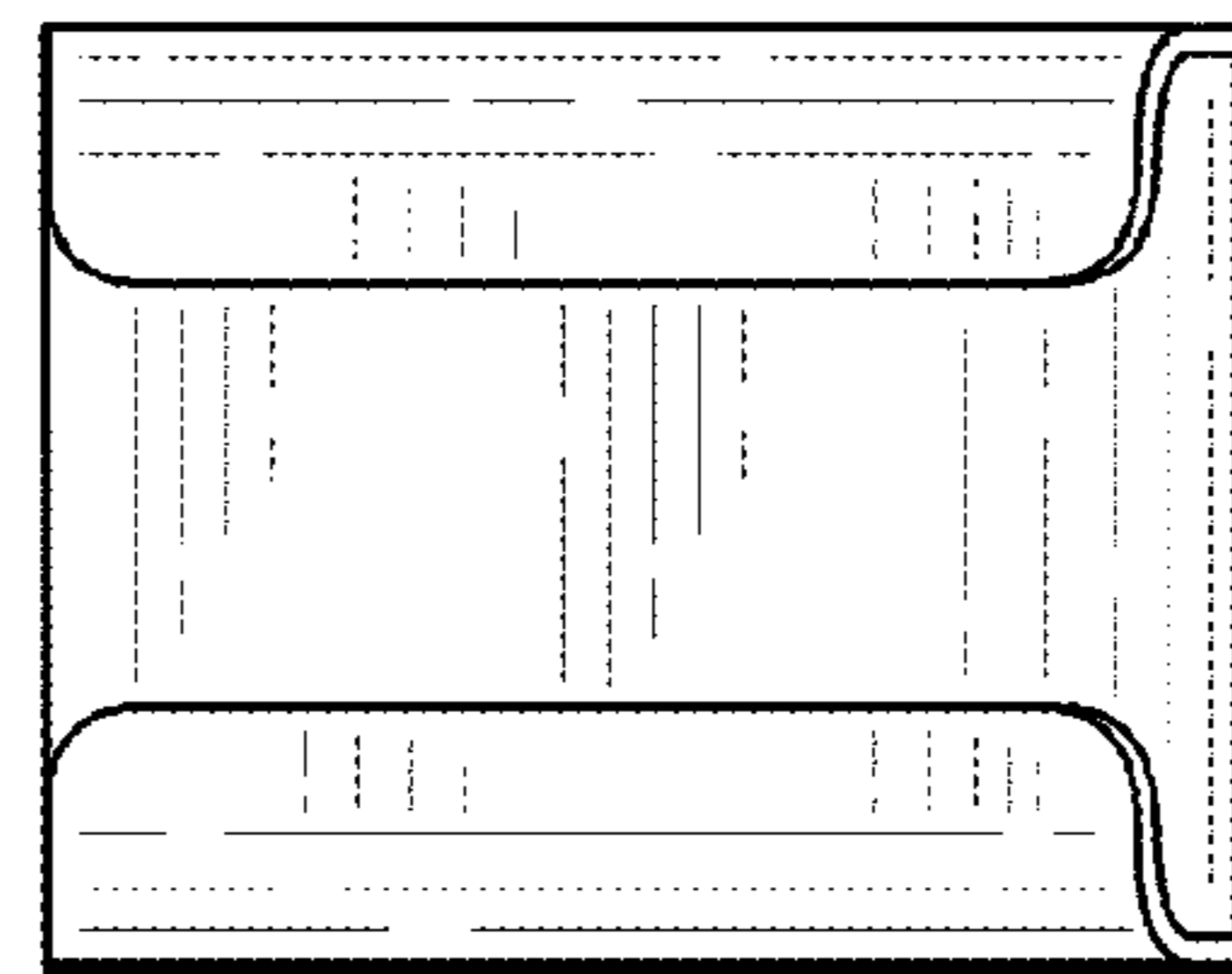
**FIG-2**



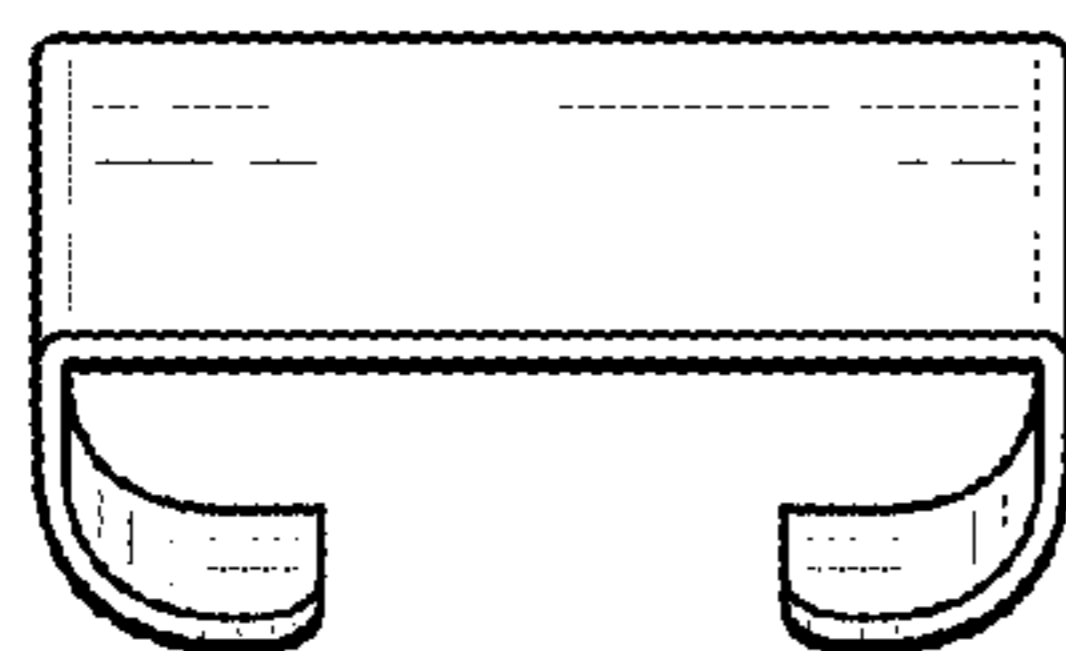
**FIG-3**



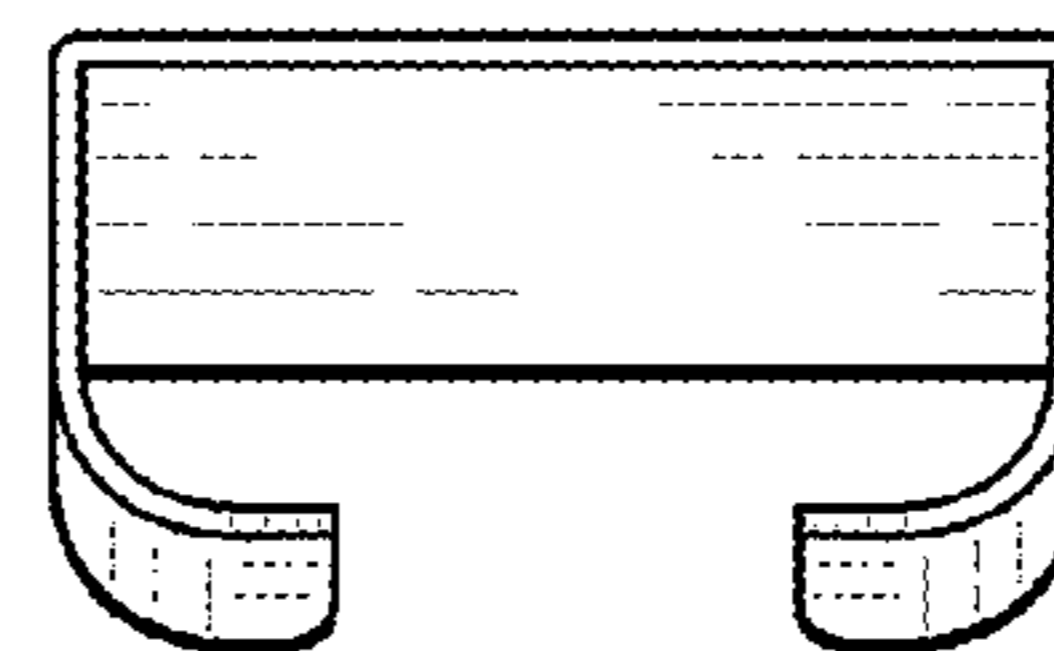
**FIG-4**



**FIG-5**



**FIG-6**



**FIG-7**