

US00D761138S

(12) **United States Design Patent**
Manabe et al.

(10) **Patent No.:** **US D761,138 S**
(45) **Date of Patent:** **** Jul. 12, 2016**

(54) **HUMAN INFORMATION SENSOR**
(71) Applicant: **OMRON Corporation**, Kyoto-shi,
Kyoto (JP)
(72) Inventors: **Seiichi Manabe**, Kusatsu (JP);
Benjamain Davoult, Kyoto (JP);
Kazuyoshi Kamekawa, Kyoto (JP);
Ikuo Takeda, Takatsuki (JP)
(73) Assignee: **OMRON CORPORATION**, Kyoto (JP)
(**) Term: **14 Years**
(21) Appl. No.: **29/515,787**
(22) Filed: **Jan. 27, 2015**

(30) **Foreign Application Priority Data**
Oct. 2, 2014 (JP) 2014-022029
(51) **LOC (10) Cl.** **10-04**
(52) **U.S. Cl.**
USPC **D10/70; D10/65**

(58) **Field of Classification Search**
USPC D10/46, 65, 70
CPC G06K 9/00221; G06K 9/00228; G06K
9/00234; G06K 9/00241; G06K 9/00248;
G06K 9/00255; G06K 9/00261; G06K
9/00268; G06K 9/00275; G06K 9/00281;
G06K 9/00288; G06K 9/00295; G06K
9/00302; G06K 9/00308; G06K 9/00315
See application file for complete search history.

(56) **References Cited**
U.S. PATENT DOCUMENTS
D659,037 S * 5/2012 Madsen D10/65
D717,680 S * 11/2014 Park D10/70
D726,567 S * 4/2015 De Jong D10/70
D733,596 S * 7/2015 Goodner D10/70
D749,440 S * 2/2016 Farin D10/70

* cited by examiner
Primary Examiner — Antoine D Davis
(74) *Attorney, Agent, or Firm* — Harness, Dickey & Pierce,
P.L.C.

(57) **CLAIM**
The ornamental design for a human information sensor, as
shown and described.

DESCRIPTION
FIG. 1 is a front perspective view of a human information
sensor;
FIG. 2 is a rear perspective view thereof;
FIG. 3 is a front elevational view thereof;
FIG. 4 is a rear elevational view thereof
FIG. 5 is a left side view thereof;
FIG. 6 is a right side view thereof;
FIG. 7 is a top plan view thereof; and,
FIG. 8 is a bottom plan view thereof.
The broken lines depict environmental subject matter only
and form no part of the claimed design.
The oblique short lines in FIGS. 1 and 3 are intended to
illustrate that the surface is translucent.

1 Claim, 6 Drawing Sheets

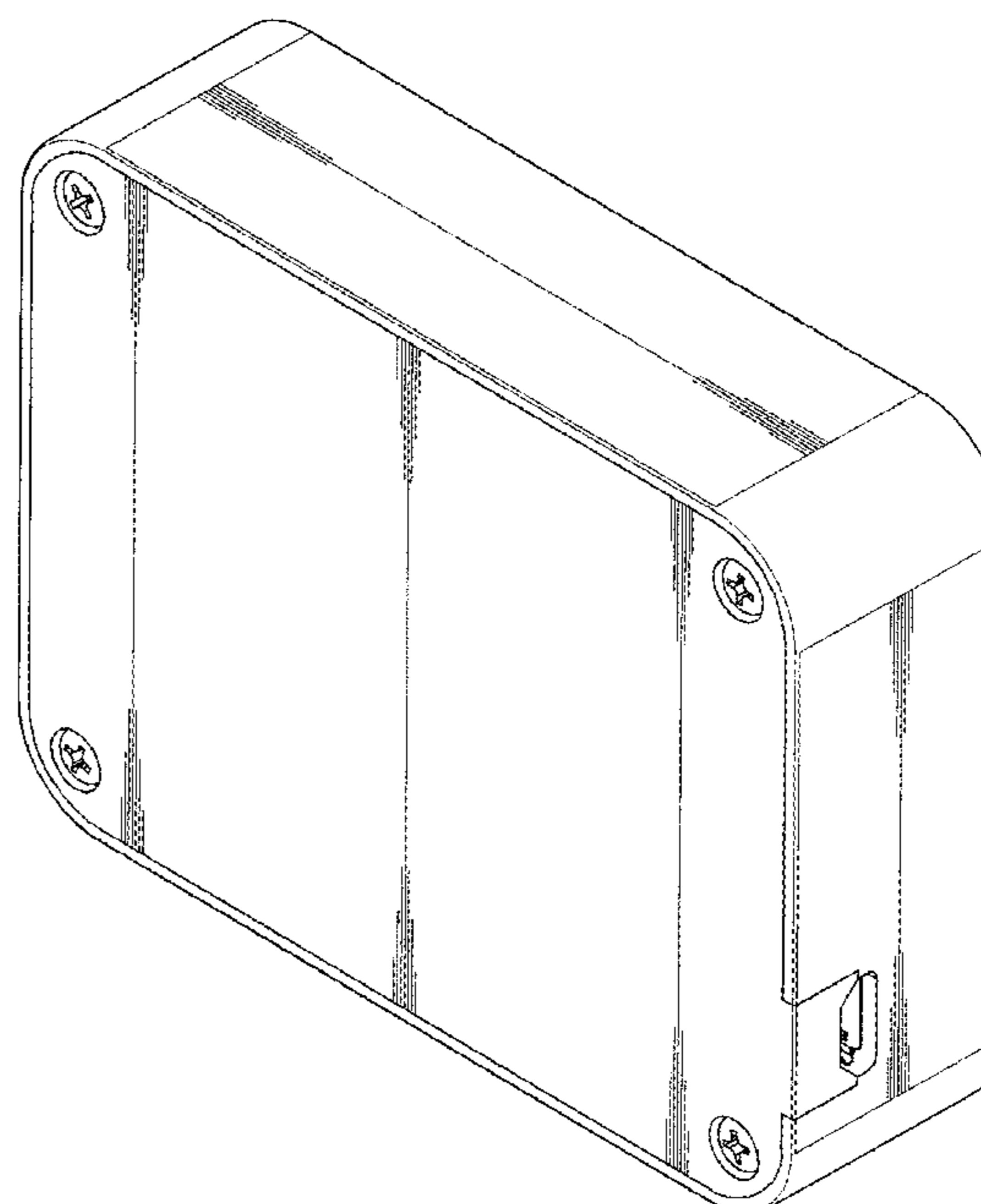
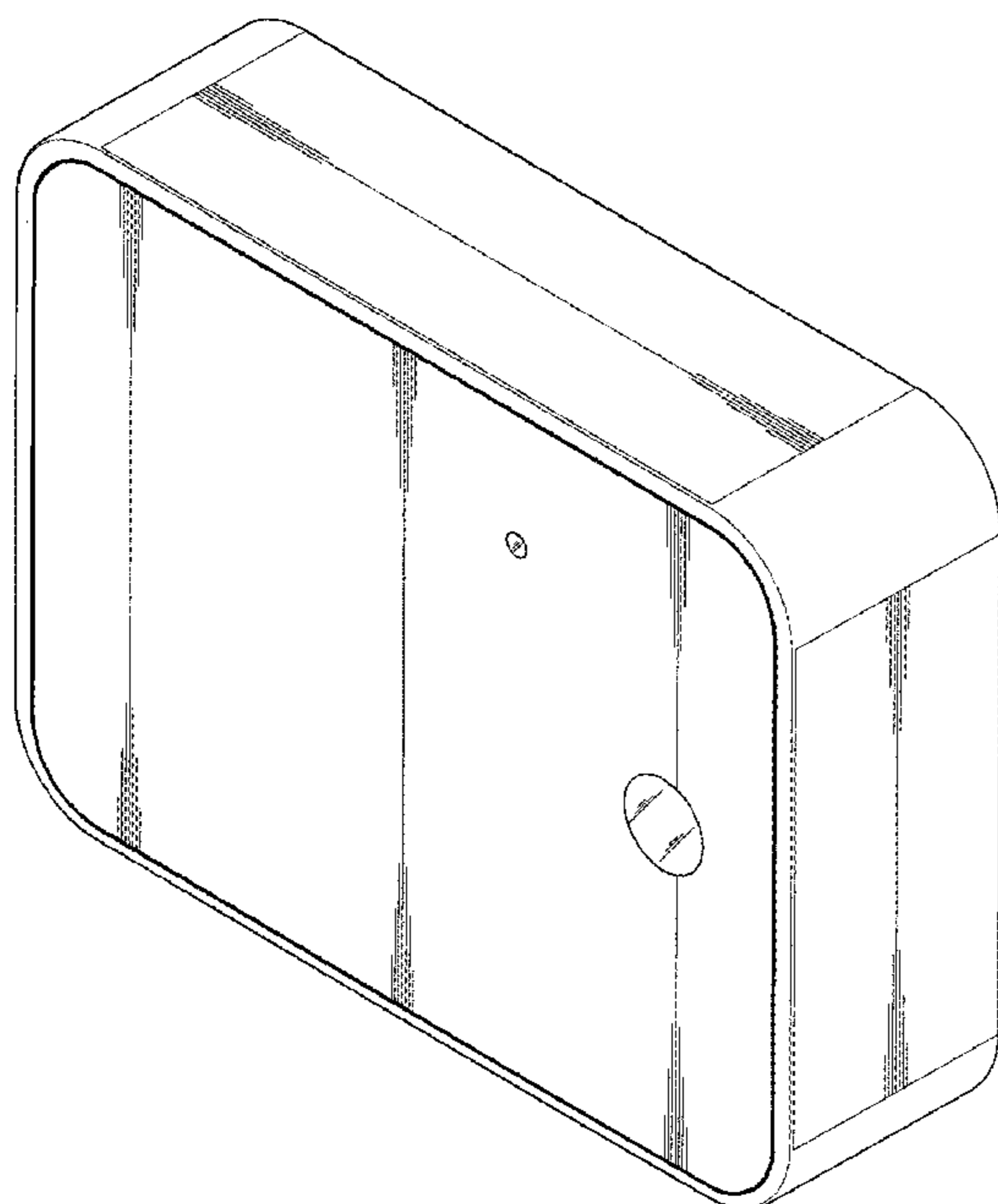


Fig. 1

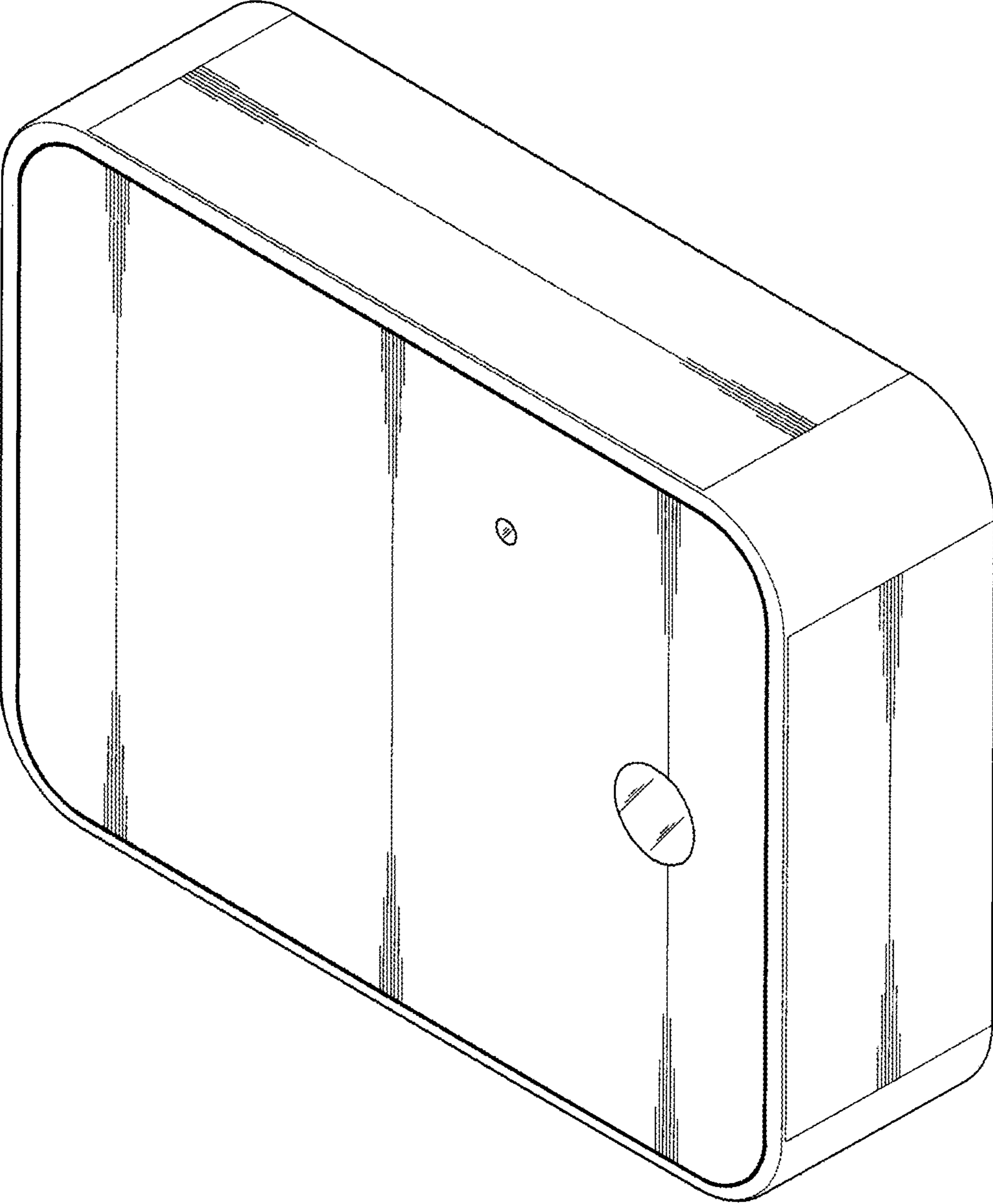


Fig. 2

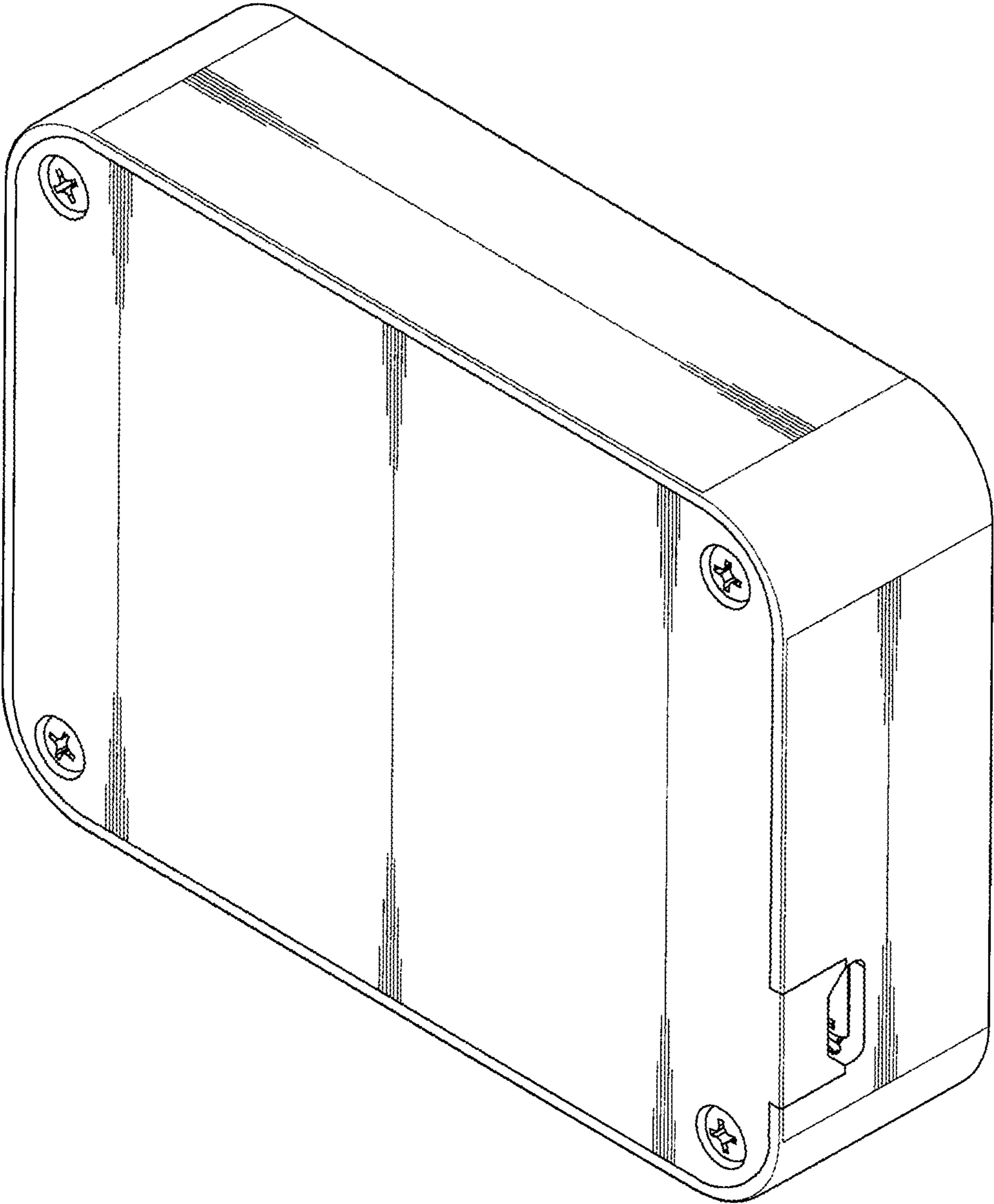


Fig. 3

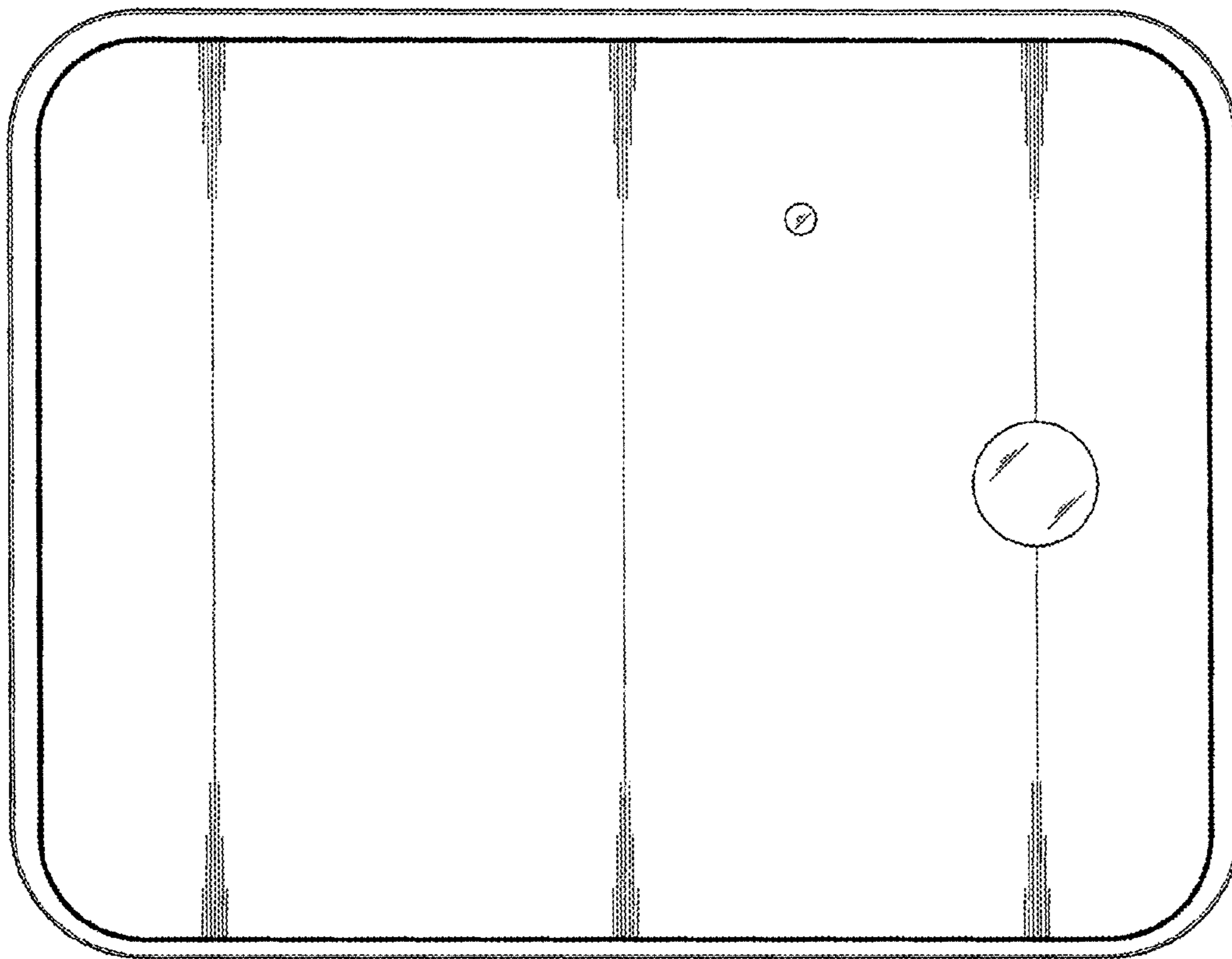


Fig. 4

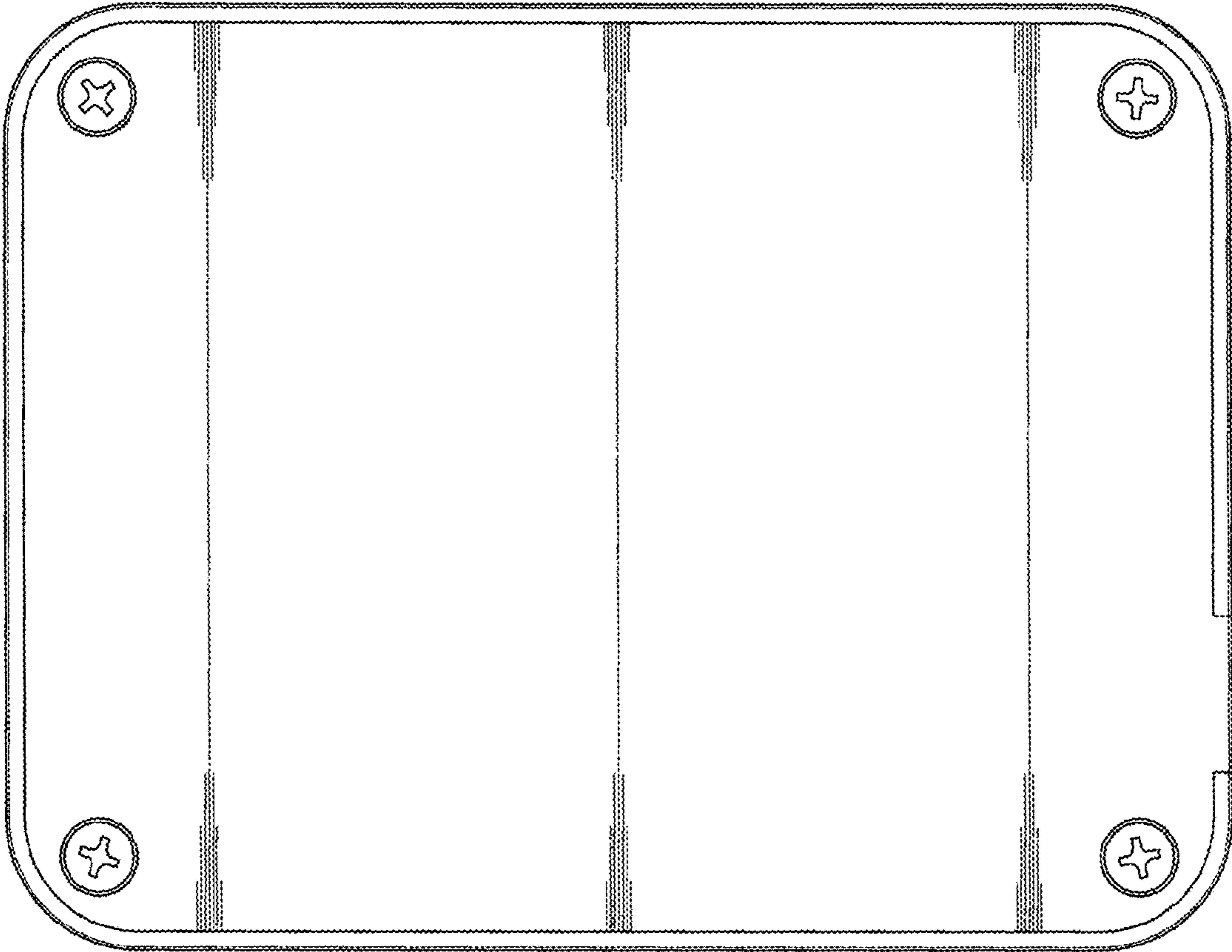


Fig. 5

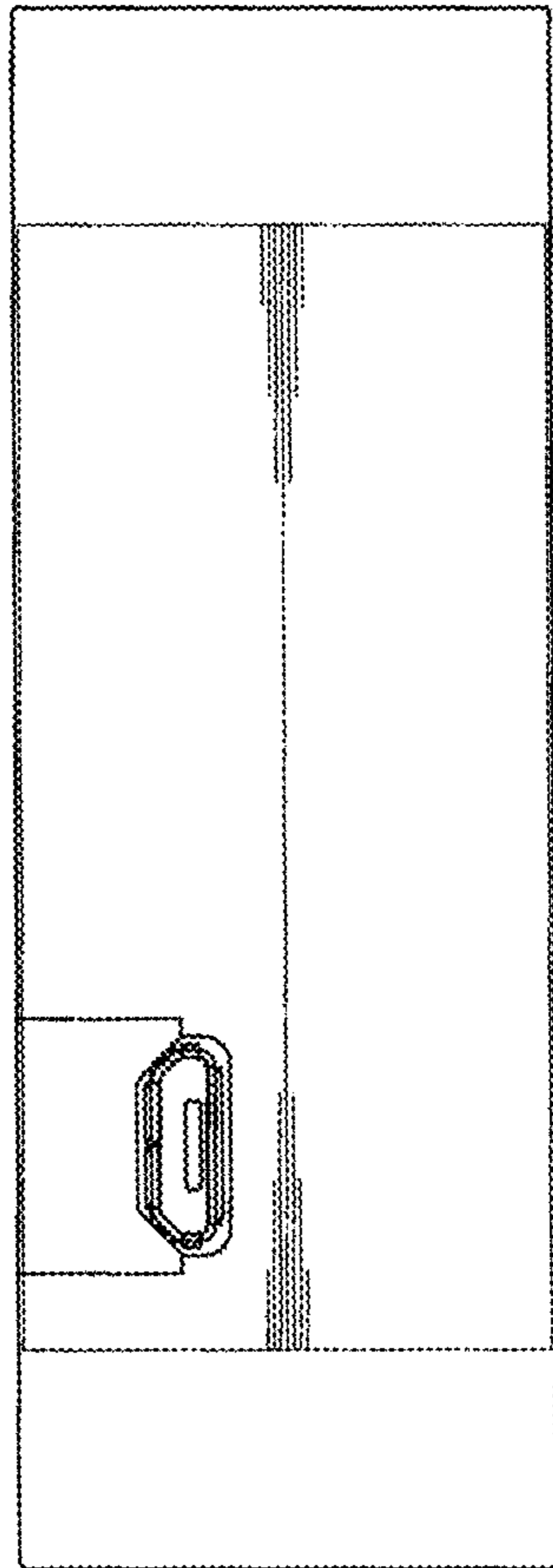


Fig. 6

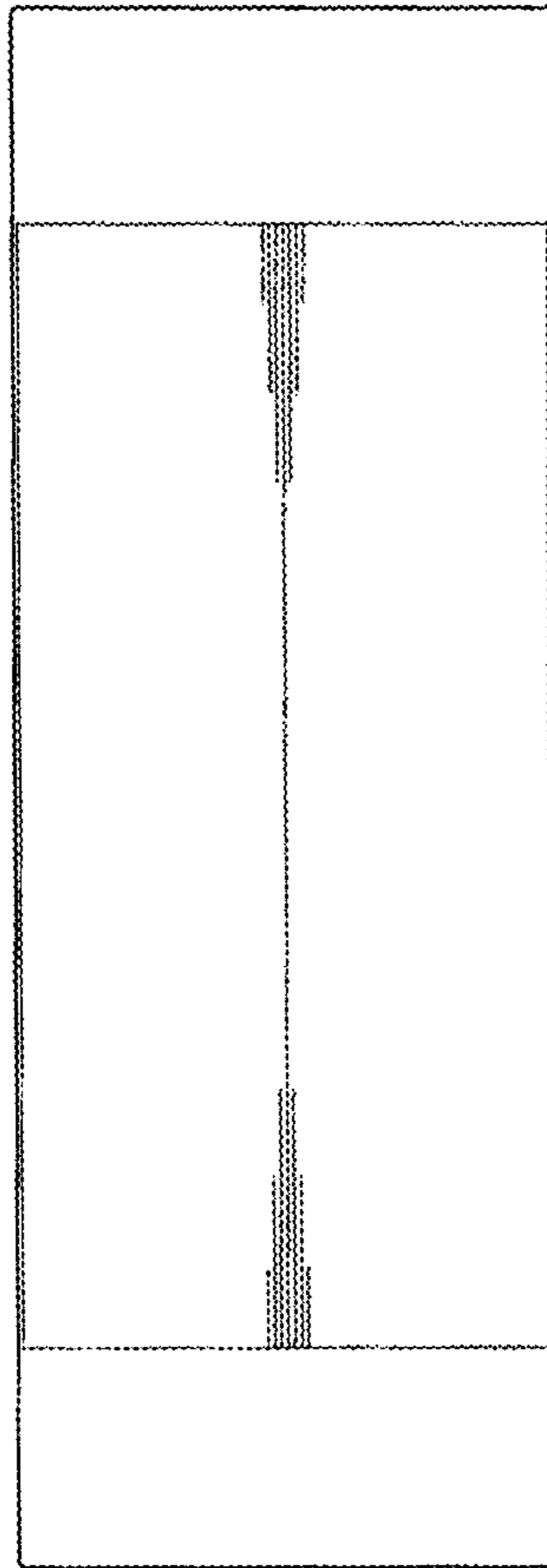


Fig. 7

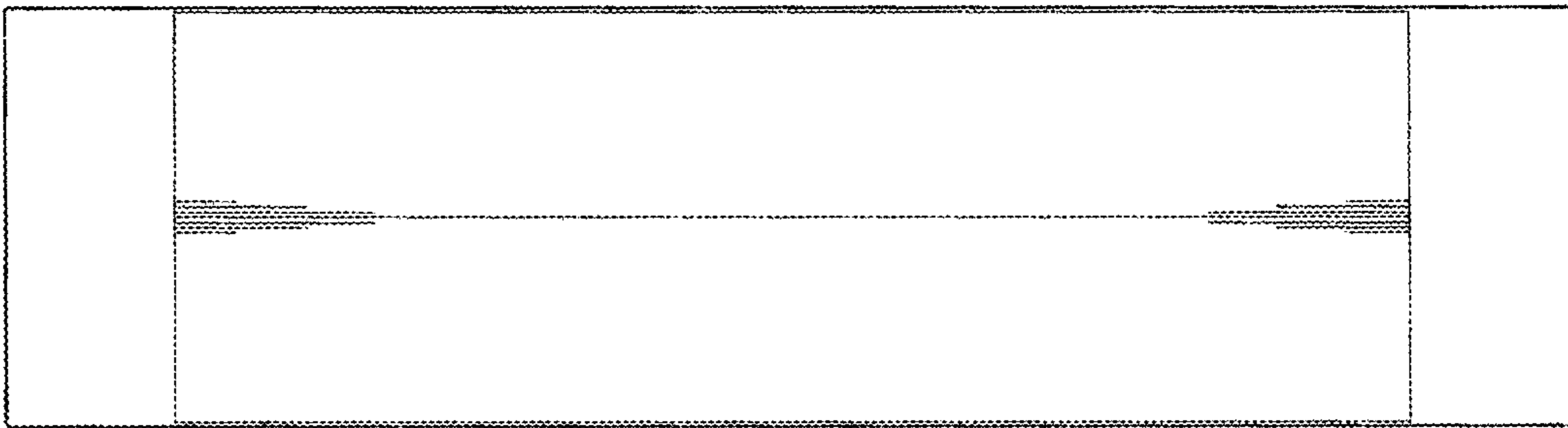


Fig. 8

