

US00D761137S

(12) **United States Design Patent**  
**Powell et al.**

(10) **Patent No.:** **US D761,137 S**  
(45) **Date of Patent:** **\*\* Jul. 12, 2016**

- (54) **WRIST SIZING MANDREL**
- (71) Applicants: **Renee R. Powell**, Naples, FL (US);  
**Pascal Fevrier**, Naples, FL (US)
- (72) Inventors: **Renee R. Powell**, Naples, FL (US);  
**Pascal Fevrier**, Naples, FL (US)
- (\*\*) Term: **14 Years**
- (21) Appl. No.: **29/519,156**
- (22) Filed: **Mar. 3, 2015**
- (51) **LOC (10) Cl.** ..... **10-04**
- (52) **U.S. Cl.**  
USPC ..... **D10/64**
- (58) **Field of Classification Search**  
USPC ..... D10/46, 64, 65  
CPC ..... G01B 5/0035; G01B 5/025; A44C 27/00;  
A44C 27/001; A44C 27/002; A44C 27/003;  
A44C 27/005; A44C 27/006; A44C 27/007;  
A44C 27/008  
See application file for complete search history.

- D398,822 S \* 9/1998 Webb ..... D10/64
- 6,026,850 A \* 2/2000 Newton ..... G05D 16/0655  
137/505
- 7,181,858 B2 \* 2/2007 Haug ..... G01B 5/025  
33/514.1
- D565,975 S \* 4/2008 Monaco ..... D10/64
- 9,092,035 B2 \* 7/2015 Yamauchi ..... G05D 16/0661

\* cited by examiner

*Primary Examiner* — Antoine D Davis  
(74) *Attorney, Agent, or Firm* — Edward M. Livingston;  
Bryan L. Loeffler; Livingston Loeffler P.A.

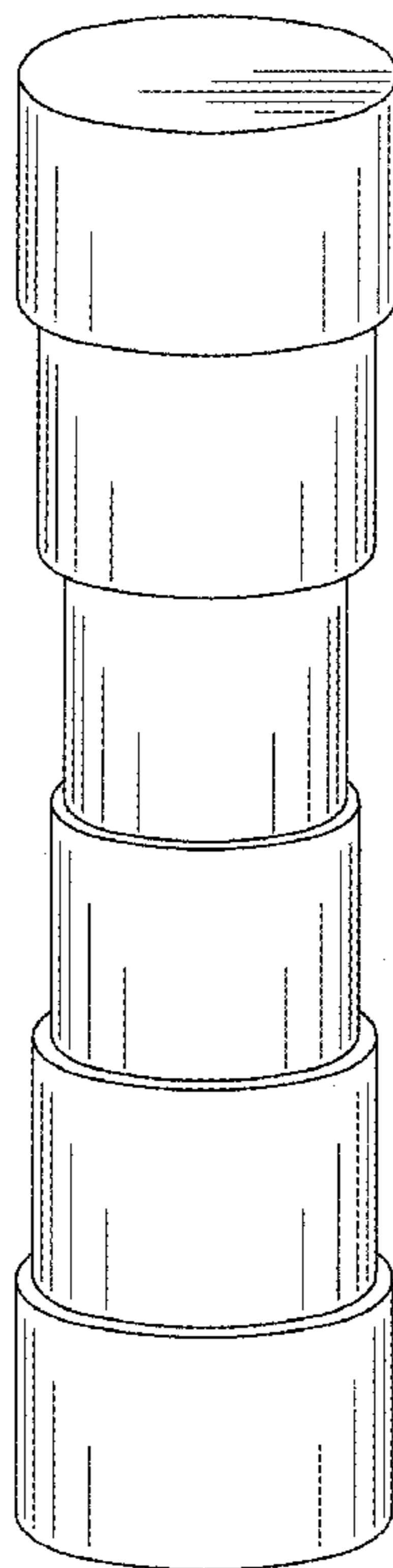
(57) **CLAIM**  
The ornamental design for a wrist sizing mandrel, of the present invention as shown and described.

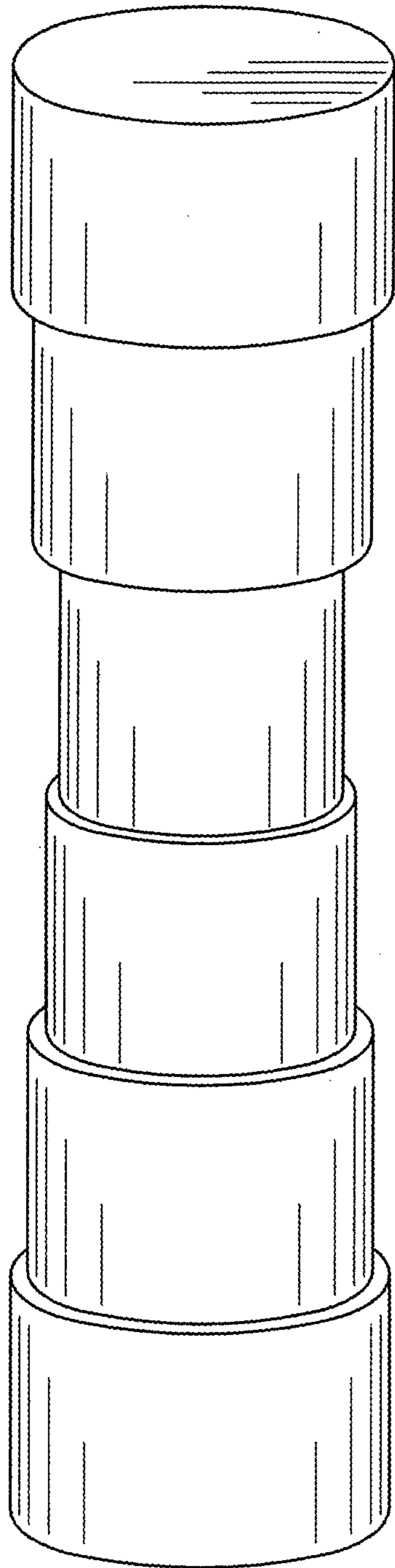
**DESCRIPTION**

FIG. 1 is a side perspective view of a wrist sizing mandrel of the present invention;  
FIG. 2 is a front view of the wrist sizing mandrel of the present invention;  
FIG. 3 is a rear view of the wrist sizing mandrel of the present invention;  
FIG. 4 is a top view of the wrist sizing mandrel of the present invention;  
FIG. 5 is a bottom view of the wrist sizing mandrel of the present invention;  
FIG. 6 is a left side view of the wrist sizing mandrel of the present invention; and,  
FIG. 7 is a right side view of the wrist sizing mandrel of the present invention.

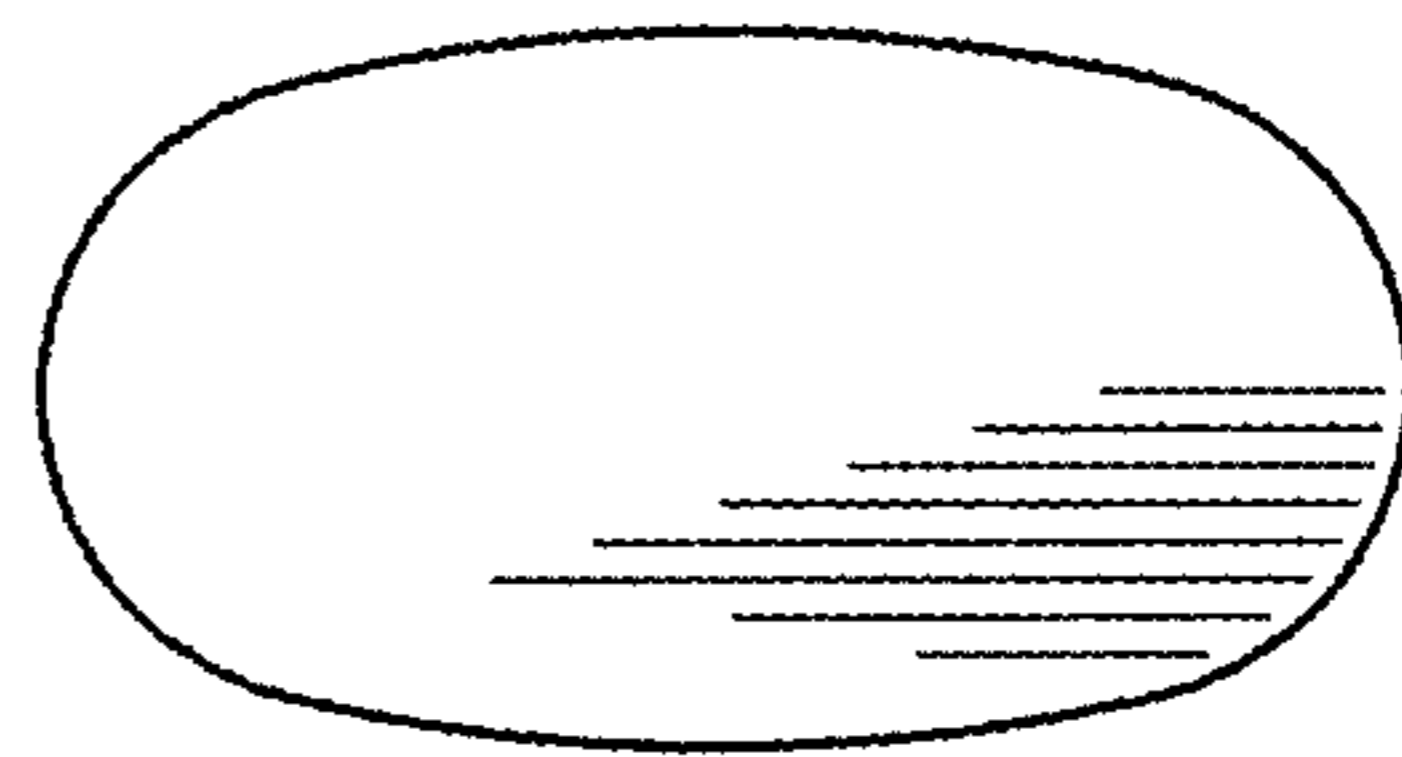
**1 Claim, 3 Drawing Sheets**

- (56) **References Cited**  
U.S. PATENT DOCUMENTS  
146,974 A \* 2/1874 Allen ..... A44C 9/02  
33/494  
1,210,963 A \* 1/1917 Mascher ..... G01B 5/12  
33/544.4  
5,199,180 A \* 4/1993 Yablonsky ..... G01B 3/30  
33/501.45





*FIG. 1*



*FIG. 4*



*FIG. 5*

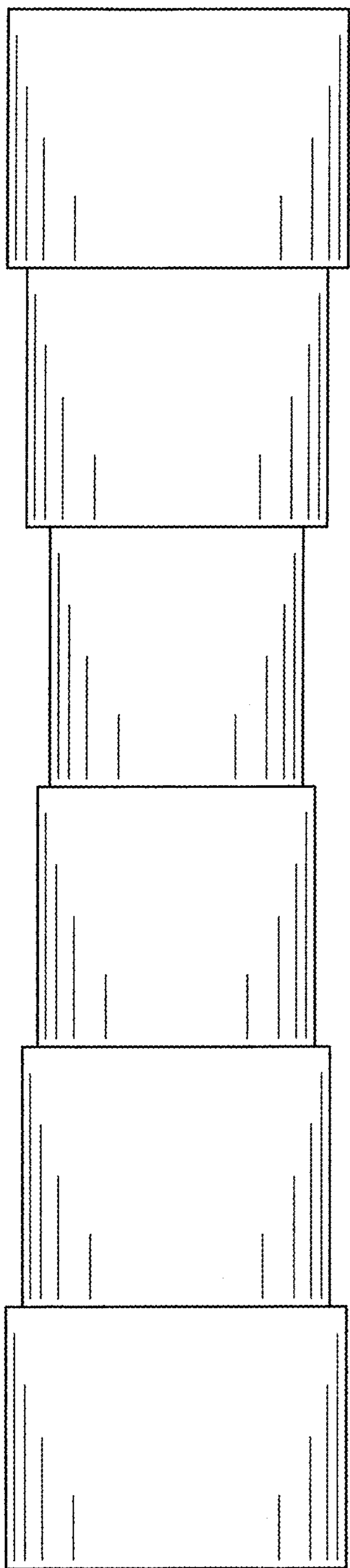


FIG. 2

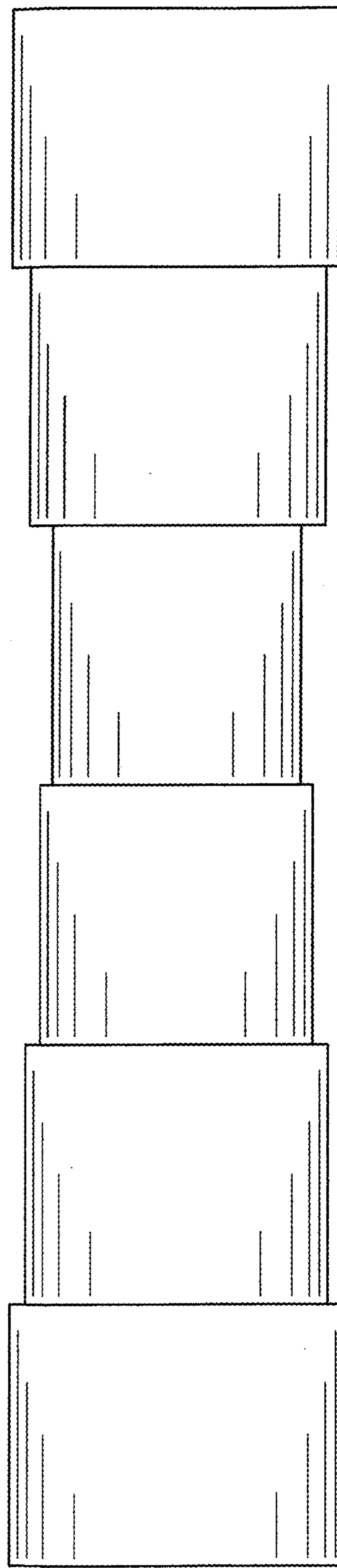


FIG. 3

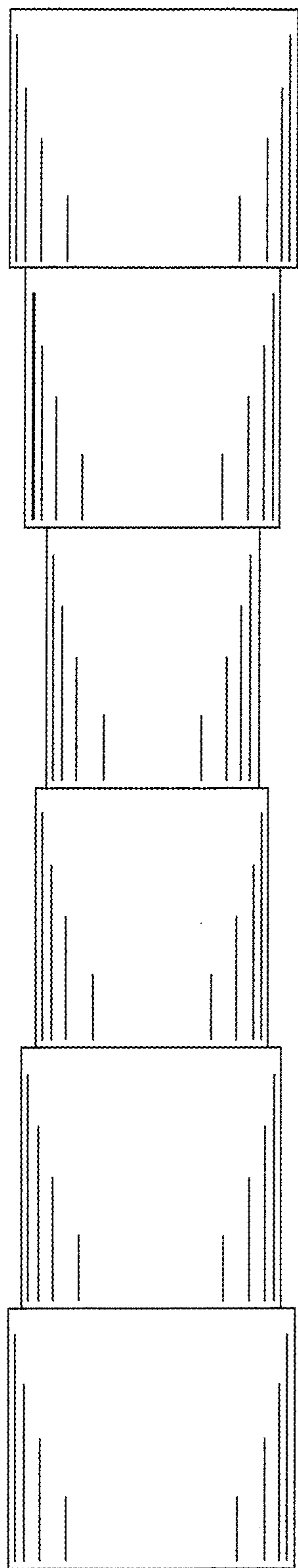


FIG. 6

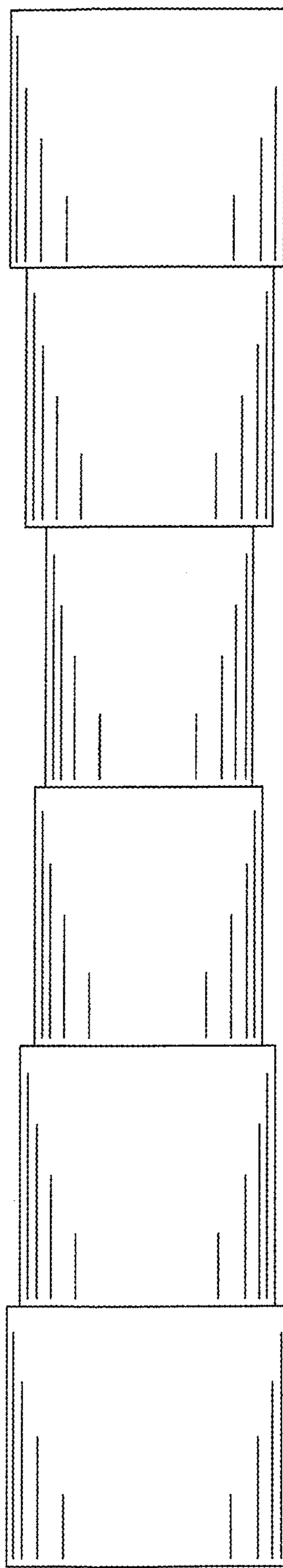


FIG. 7