



US00D761132S

(12) **United States Design Patent**  
**Nunes**

(10) **Patent No.:** **US D761,132 S**  
(45) **Date of Patent:** **\*\* Jul. 12, 2016**

- (54) **WATCH**
- (71) Applicant: **Brendon G. Nunes**, Ajax (CA)
- (72) Inventor: **Brendon G. Nunes**, Ajax (CA)
- (\*\*) Term: **15 Years**
- (21) Appl. No.: **29/505,070**
- (22) Filed: **May 15, 2015**
- (51) **LOC (10) Cl.** ..... **10-02**
- (52) **U.S. Cl.**  
USPC ..... **D10/38; D10/128**
- (58) **Field of Classification Search**  
USPC ..... D10/30-39, 1-29, 122-132  
CPC ..... G04B 19/00; G04B 19/18; G04B 19/28;  
G04B 19/283; G04B 37/00; G04B 37/0008;  
G04B 37/0058; G04B 37/11; G04B 37/116;  
G04B 37/1486; G04C 10/00  
See application file for complete search history.

D415,040 S	10/1999	Sang	
6,449,812 B1 *	9/2002	Calce .....	G04B 37/1486 224/164
6,587,400 B1 *	7/2003	Line .....	G04C 10/00 368/204
D537,371 S	2/2007	Belamich	
D537,737 S *	3/2007	Galli .....	D10/31
D588,025 S *	3/2009	Belamich .....	D10/39
D601,043 S	9/2009	Belamich	
7,628,530 B2 *	12/2009	Andren .....	G04B 37/1486 224/177
D630,530 S	1/2011	Nunes	
D630,531 S	1/2011	Nunes	
D632,593 S	2/2011	Nunes	
D635,867 S	4/2011	Nunes	
D668,970 S	10/2012	Nunes	
D717,669 S *	11/2014	Tak .....	D10/38

\* cited by examiner

*Primary Examiner* — Martie K Holtje

(57) **CLAIM**

I claim the ornamental design for a watch, as shown and described.

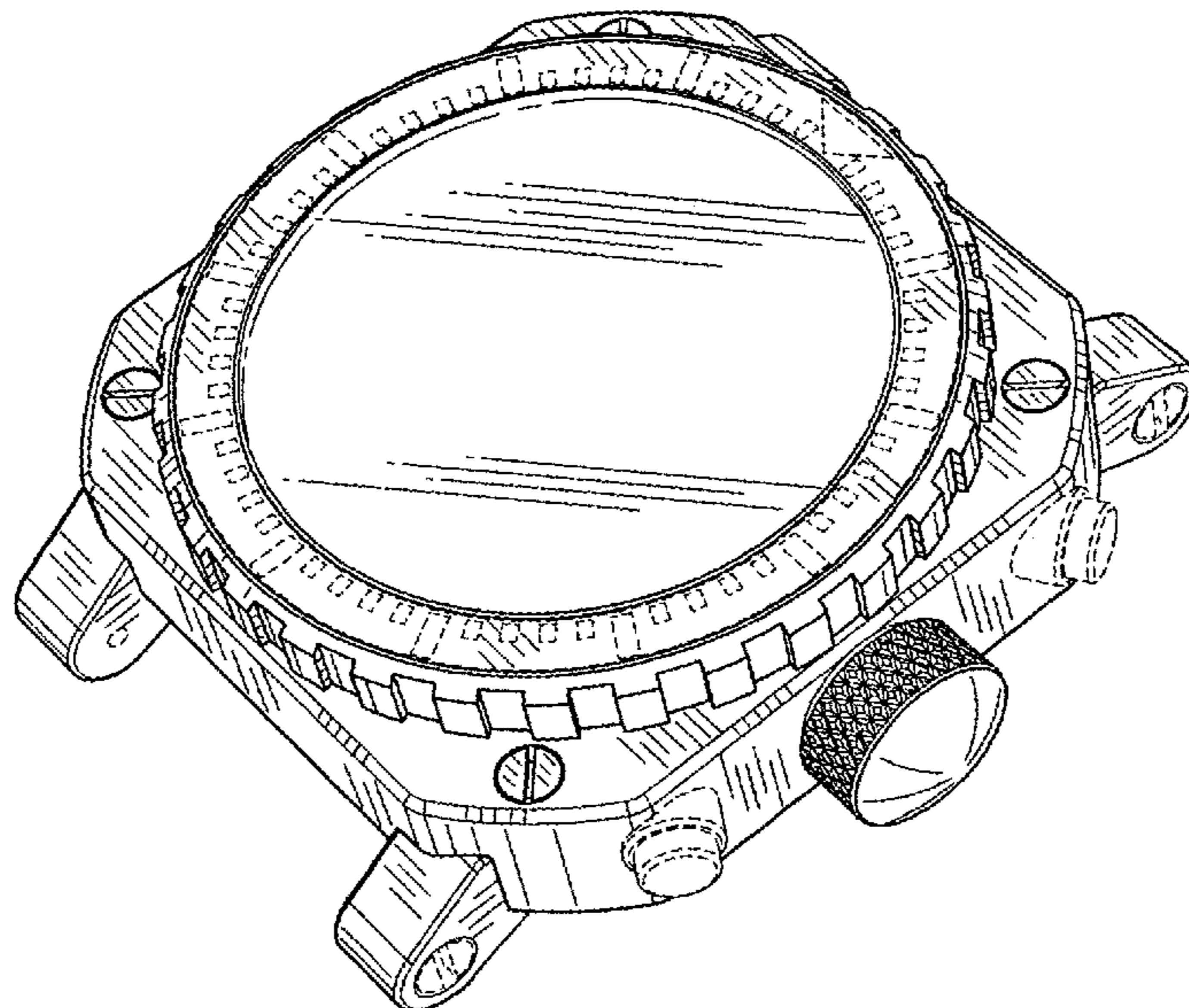
**DESCRIPTION**

FIG. 1 is a top isometric view of a watch showing my new design;  
 FIG. 2 is a top plan view thereof;  
 FIG. 3 is a front elevational view, the rear elevational view being a mirror image thereof;  
 FIG. 4 is a right side elevational view thereof; and,  
 FIG. 5 is a left side elevational view thereof.  
 The structural features depicted by broken lines in the drawings have been shown for the purpose of illustrating portions of the watch that form no part of the claimed design.

**1 Claim, 3 Drawing Sheets**

(56) **References Cited**  
U.S. PATENT DOCUMENTS

3,427,800 A *	2/1969	Blum .....	G04B 19/283 368/223
4,218,873 A *	8/1980	Lang .....	G04B 37/1169 368/276
4,390,288 A *	6/1983	Arnoux .....	G04B 37/0058 368/276
D287,470 S *	12/1986	Houlihan .....	D10/30
D288,412 S *	2/1987	Nunes .....	D10/2
D295,837 S *	5/1988	Takeichi .....	D10/39
D317,871 S *	7/1991	Applegate, Jr. ....	D10/30
D331,707 S *	12/1992	Iwata .....	D10/30
D381,919 S *	8/1997	Stecher .....	D10/1
D412,670 S	8/1999	Riley	



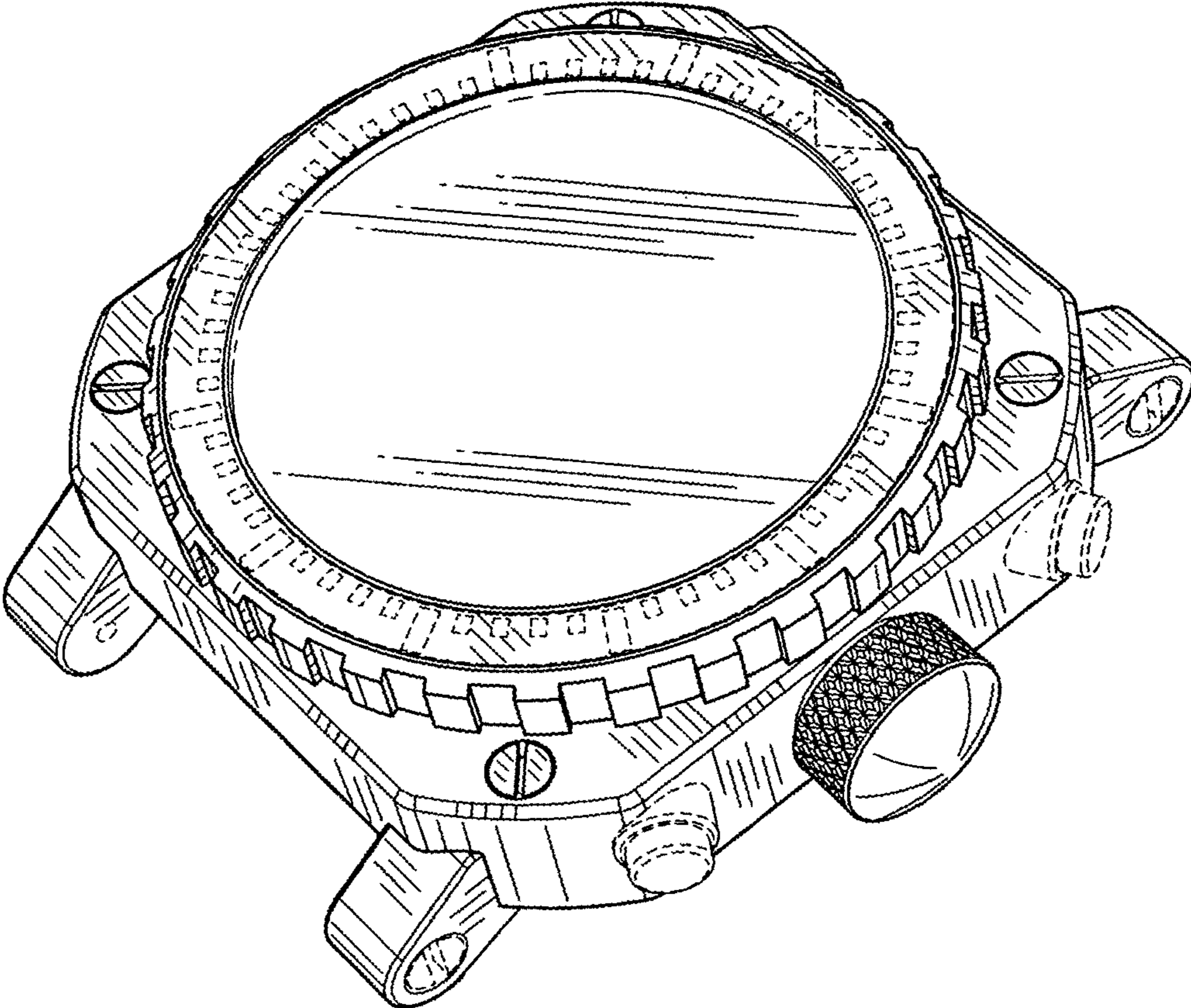


FIGURE 1

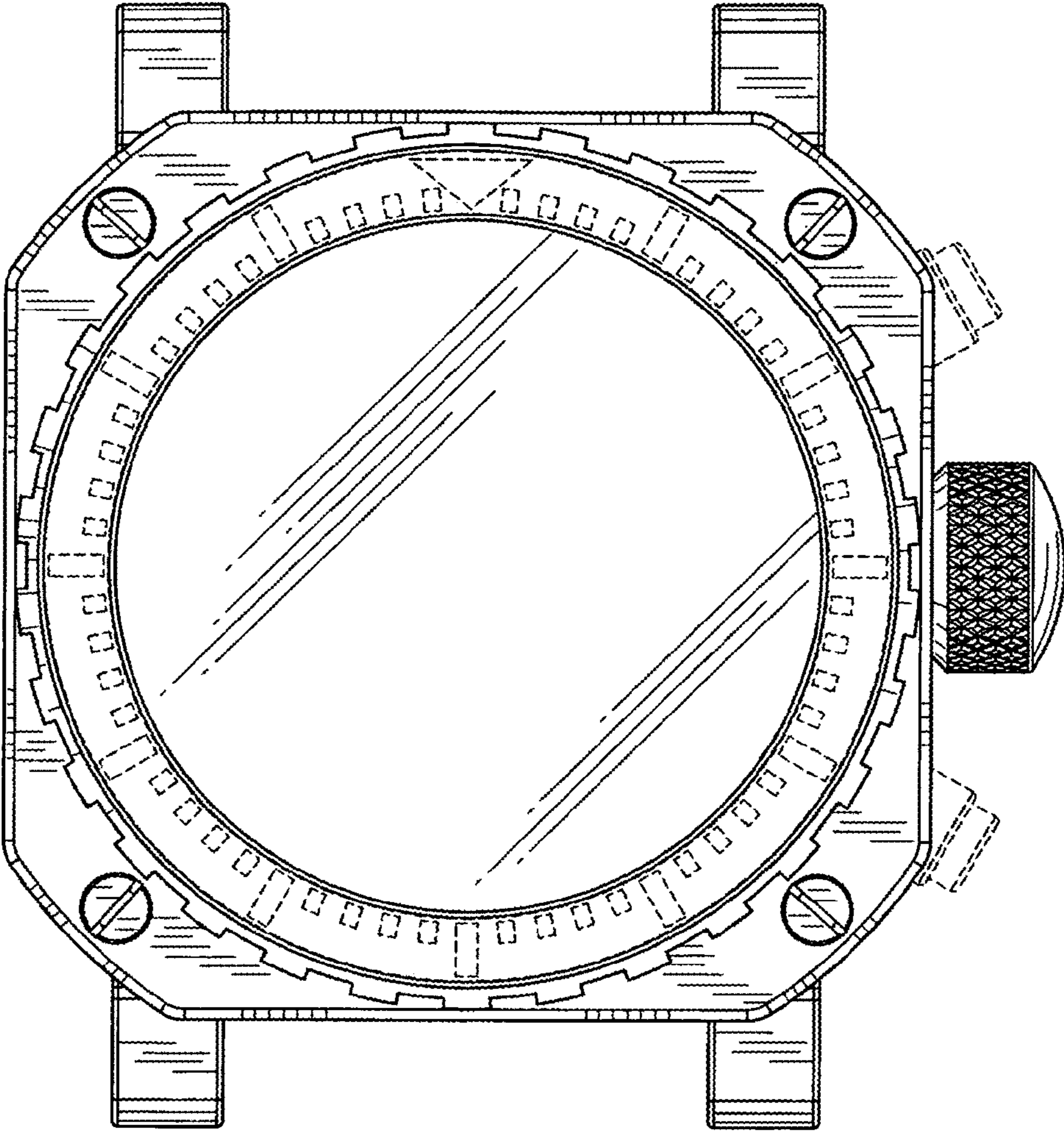


FIGURE 2



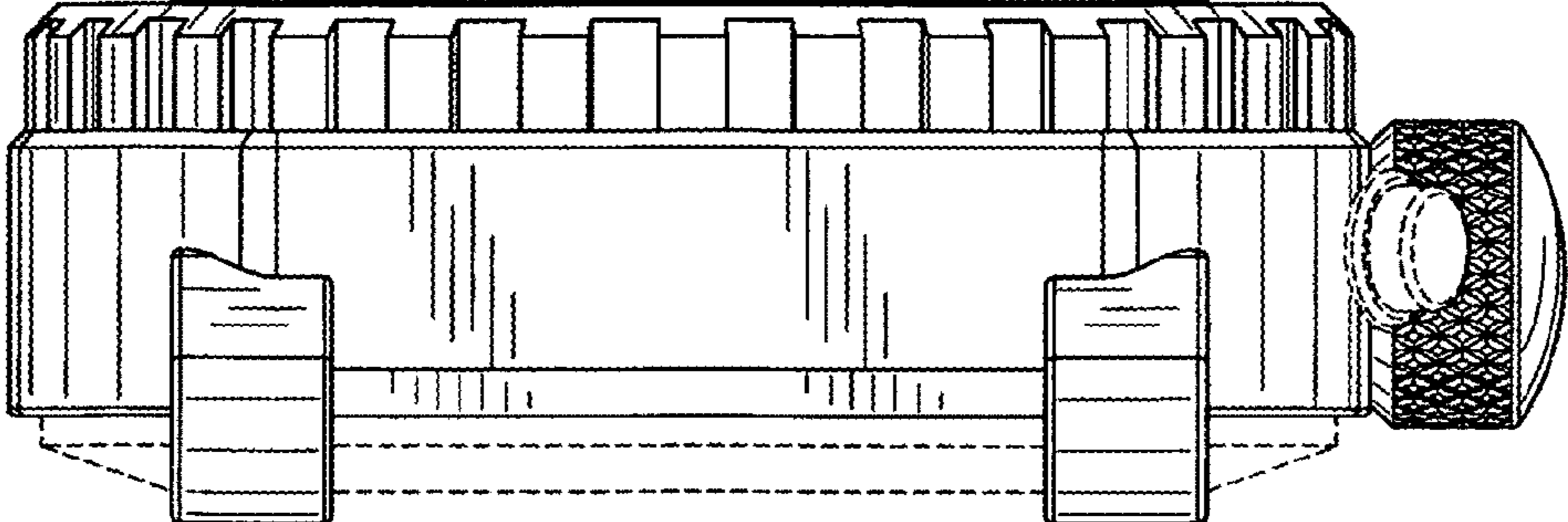


FIGURE 3

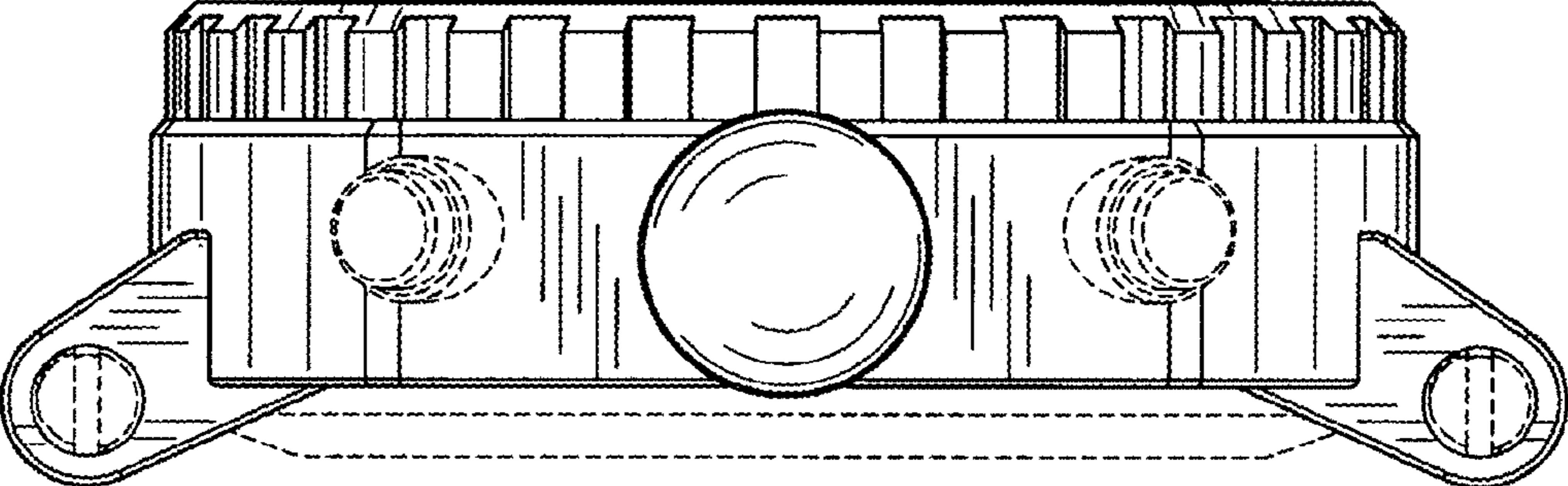


FIGURE 4

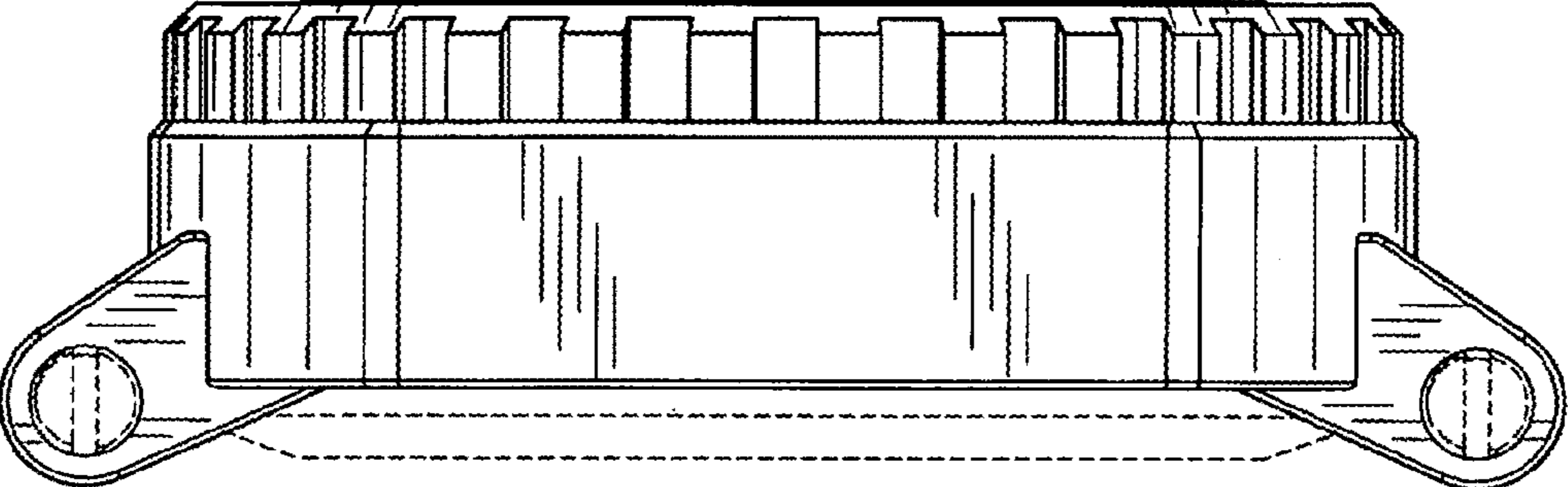


FIGURE 5