

US00D761130S

(12) **United States Design Patent**  
**Soares**

(10) **Patent No.:** **US D761,130 S**  
(45) **Date of Patent:** **\*\* Jul. 12, 2016**

(54) **WRISTWATCH**

(71) Applicant: **RADO WATCH CO. LTD.**, Lengnau  
(CH)

(72) Inventor: **Fernando Soares**, Neuchatel (CH)

(73) Assignee: **RADO WATCH CO. LTD.**, Lengnau  
(CH)

(\*\*) Term: **15 Years**

(21) Appl. No.: **29/530,367**

(22) Filed: **Jun. 16, 2015**

(51) **LOC (10) Cl.** ..... **10-02**

(52) **U.S. Cl.**  
USPC ..... **D10/32; D10/39; D10/126; D11/3**

(58) **Field of Classification Search**  
USPC ..... **D10/30-39, 1-29, 122-132; D11/3, 25**  
CPC ..... **G04B 19/00; G04B 19/06; G04B 19/24;**  
**G04B 27/00; G04B 27/04; G04B 37/00;**  
**G04B 37/03008; G04B 37/0058; G04B**  
**37/081; G04B 37/1486; G04B 45/00; G04B**  
**45/0069; A44C 5/00; A44C 5/02; A44C**  
**5/027; A44C 5/107; A44C 5/18; A44C 5/185**  
See application file for complete search history.

(56) **References Cited**

**U.S. PATENT DOCUMENTS**

2,968,910 A \* 1/1961 Taubert ..... G04B 37/081  
368/289  
4,548,514 A \* 10/1985 Ganter ..... G04B 37/081  
368/289

D460,000 S \* 7/2002 Glauser ..... D10/32  
D471,482 S \* 3/2003 Calvani ..... D11/3  
D631,764 S \* 2/2011 Furetta ..... D10/32  
D659,025 S \* 5/2012 Yurman ..... D10/32  
D659,026 S \* 5/2012 Yurman ..... D10/32  
D673,463 S \* 1/2013 Duport ..... D10/32  
D679,201 S \* 4/2013 Jacquerye ..... D10/39  
D684,486 S \* 6/2013 Messmer ..... D10/39  
D691,495 S \* 10/2013 Duport ..... D10/32  
D697,822 S \* 1/2014 Duport ..... D10/32  
D708,965 S \* 7/2014 Monachon ..... D10/39

\* cited by examiner

*Primary Examiner* — Martie K Holtje

(74) *Attorney, Agent, or Firm* — Donald J. Ranft; Kristen A. Mogavero; Collen IP

(57) **CLAIM**

The ornamental design for a wristwatch, as shown.

**DESCRIPTION**

FIG. 1 is a front right perspective view of a wristwatch showing my new design;  
FIG. 2 is a front left perspective view thereof;  
FIG. 3 is a rear left perspective view thereof;  
FIG. 4 is a rear right perspective view thereof;  
FIG. 5 is a front view thereof;  
FIG. 6 is a rear view thereof;  
FIG. 7 is a left side view thereof;  
FIG. 8 is a right side view thereof; and,  
FIG. 9 is a bottom view thereof.

**1 Claim, 9 Drawing Sheets**





FIG. 1

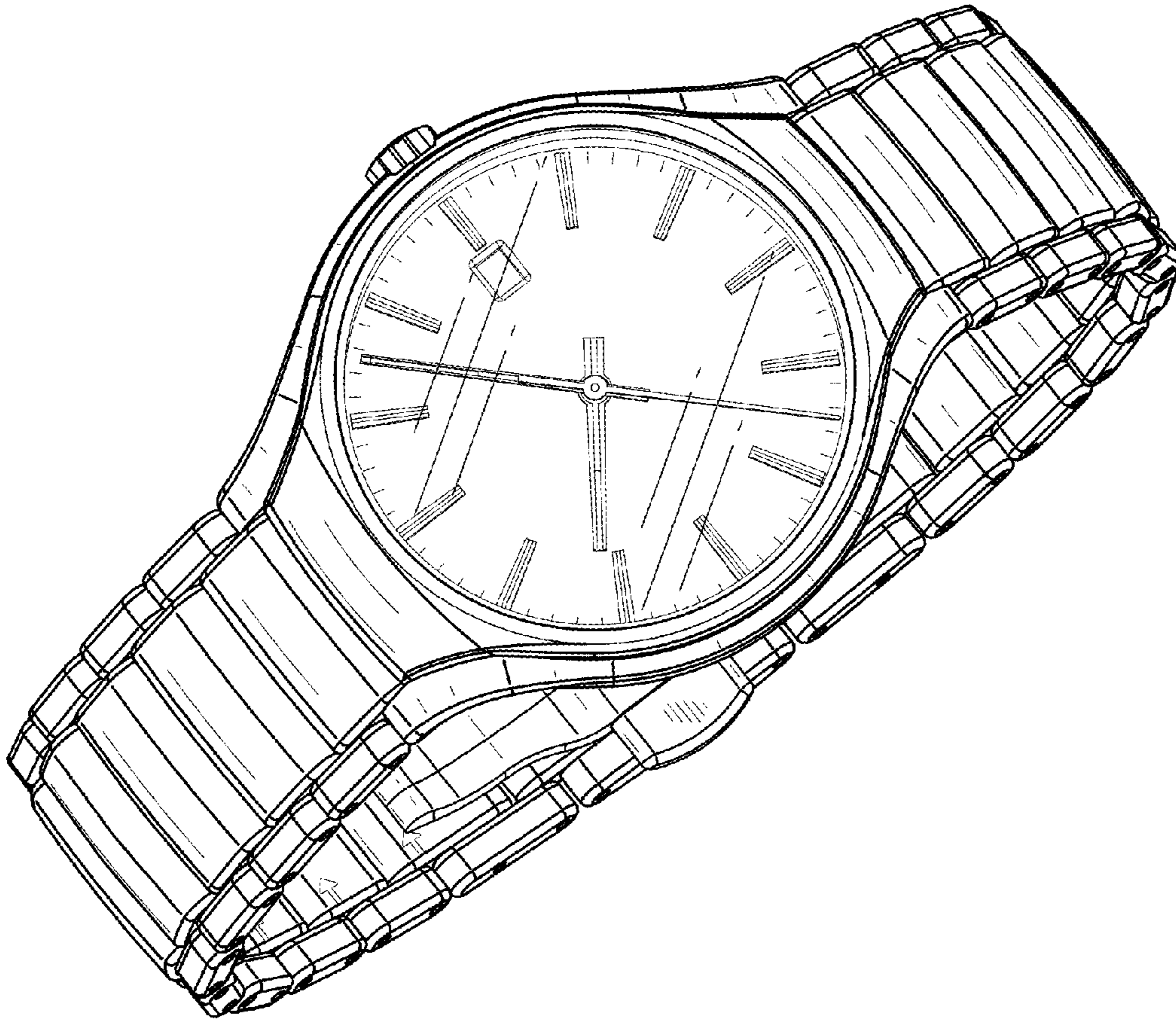


FIG. 2

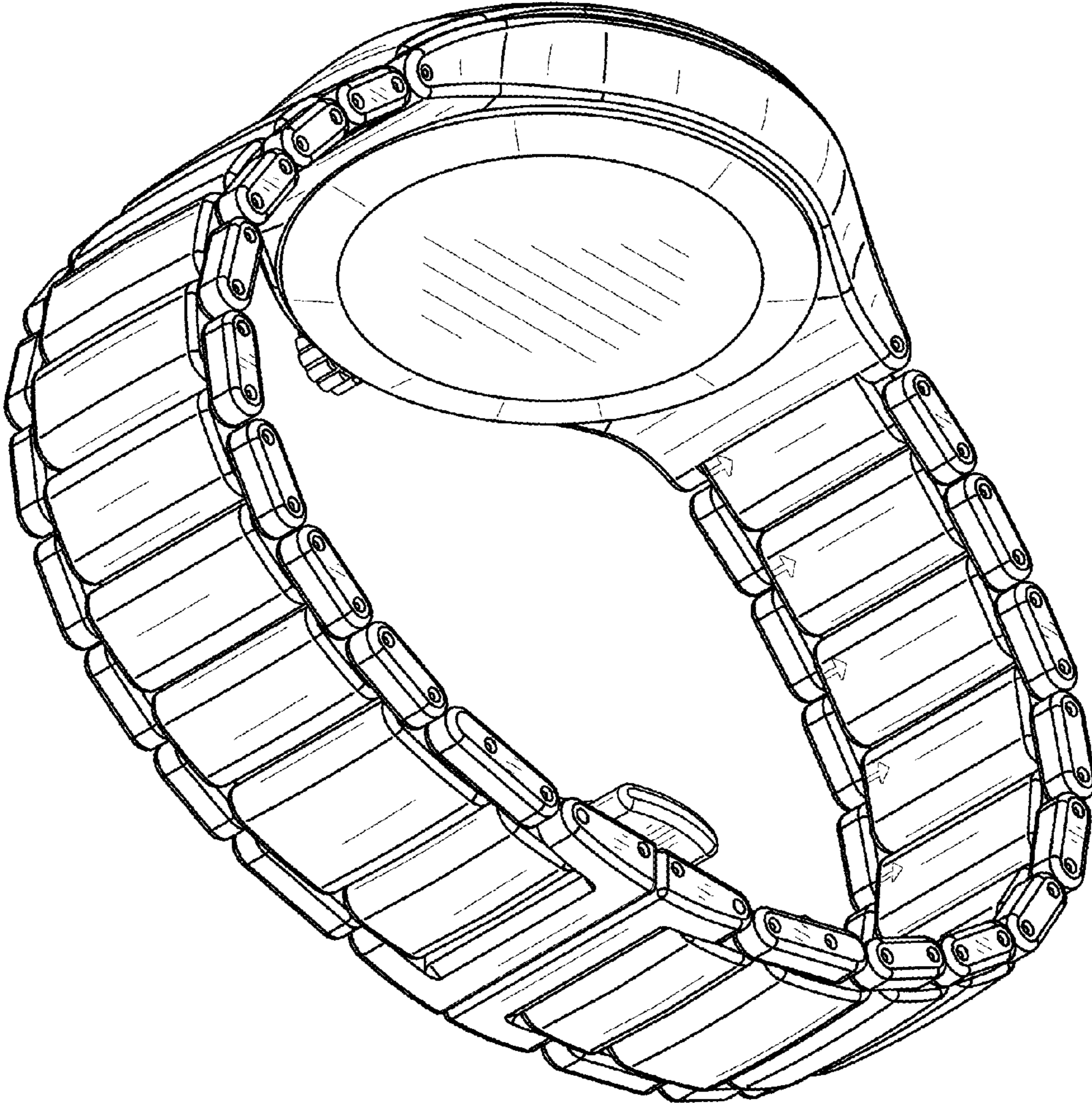


FIG. 3

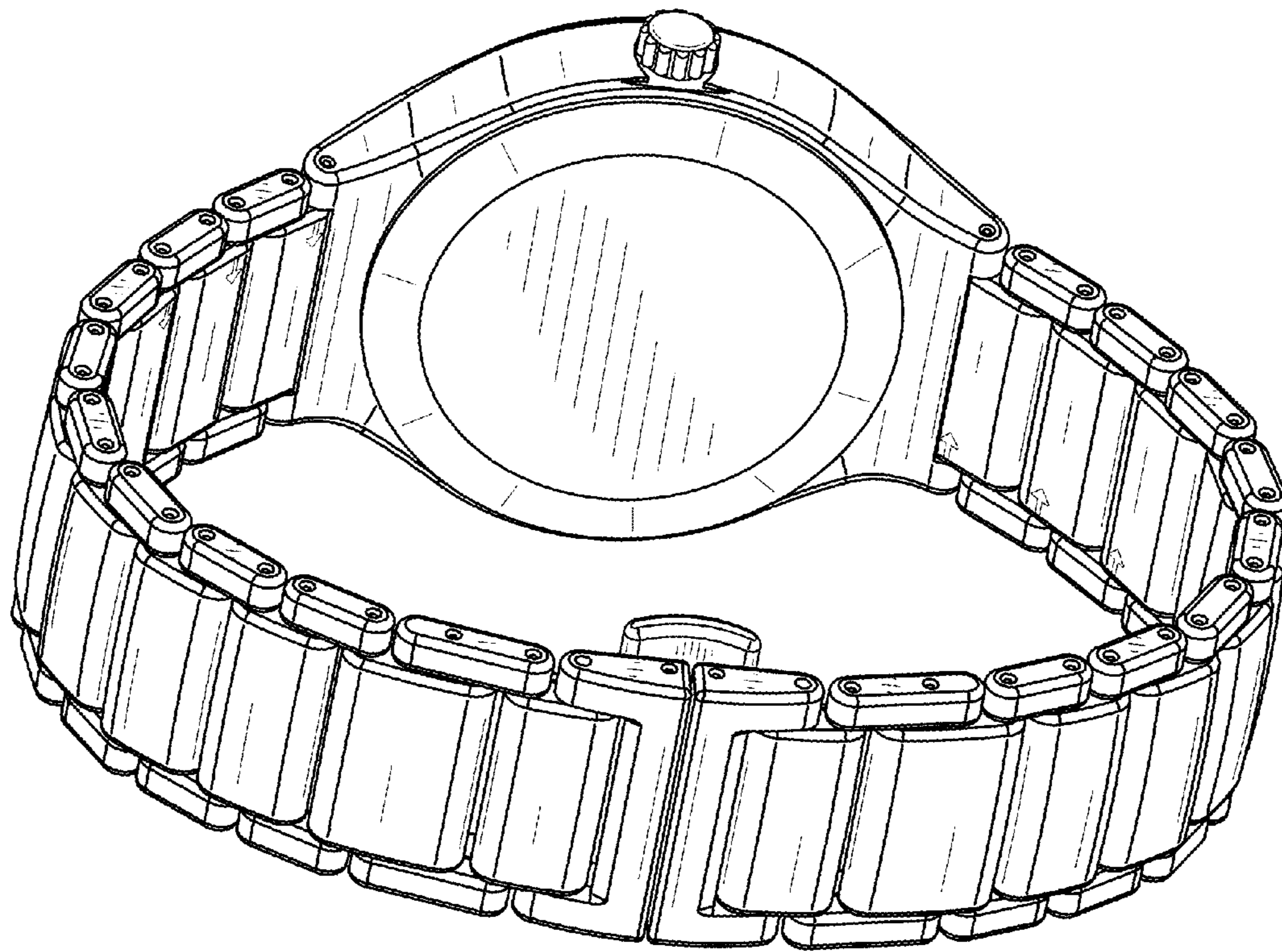


FIG. 4

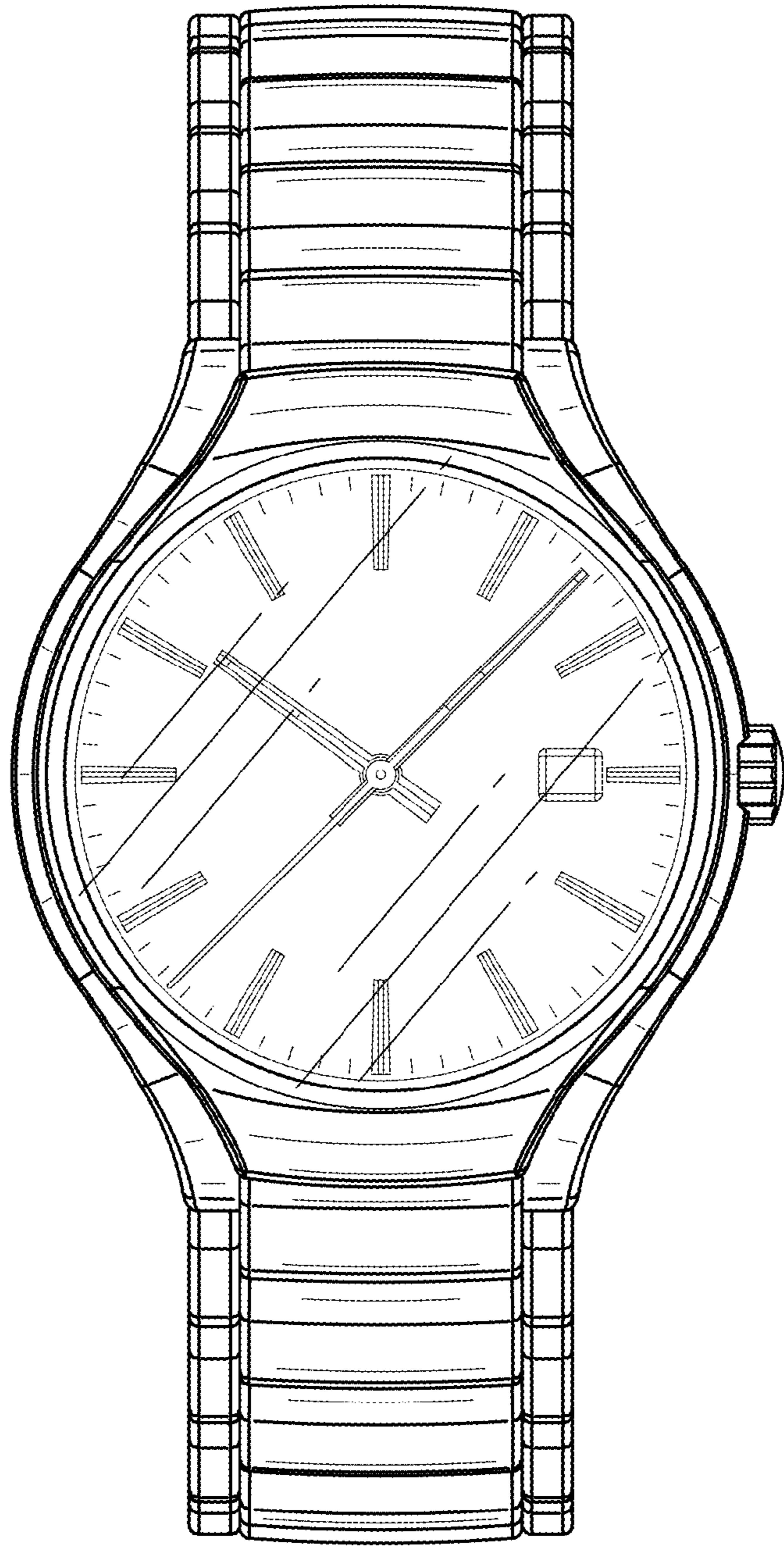


FIG. 5

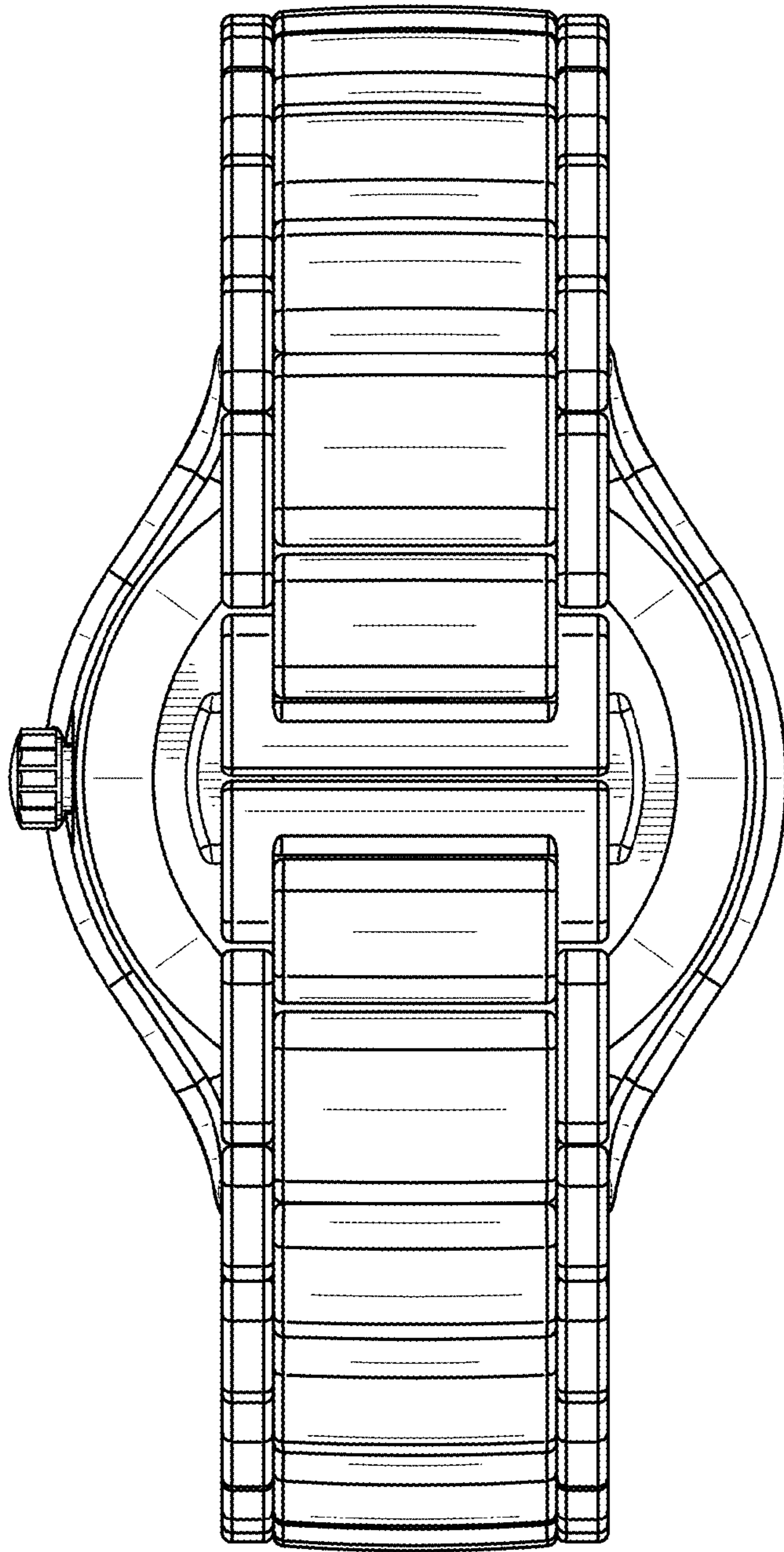


FIG. 6

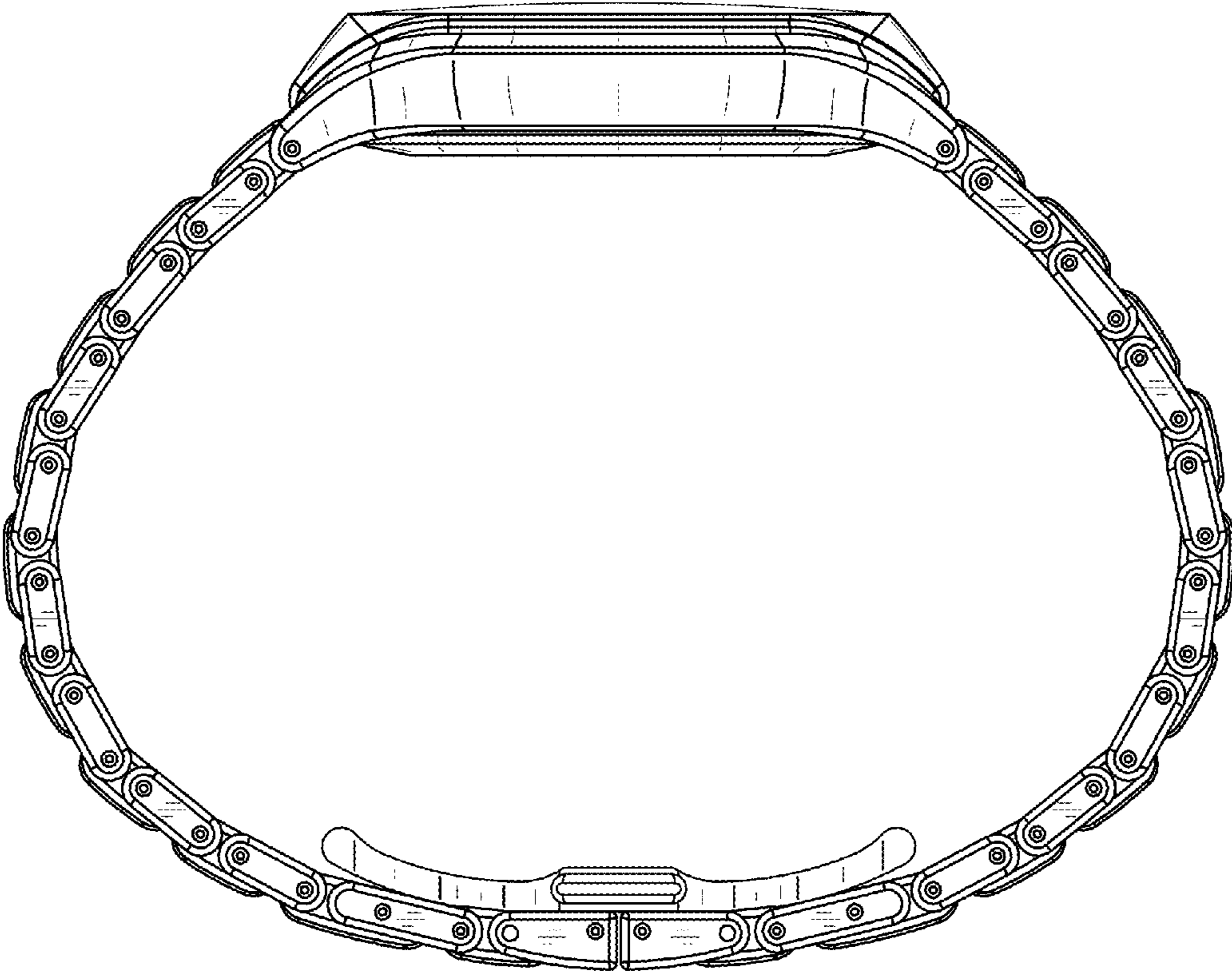


FIG. 7



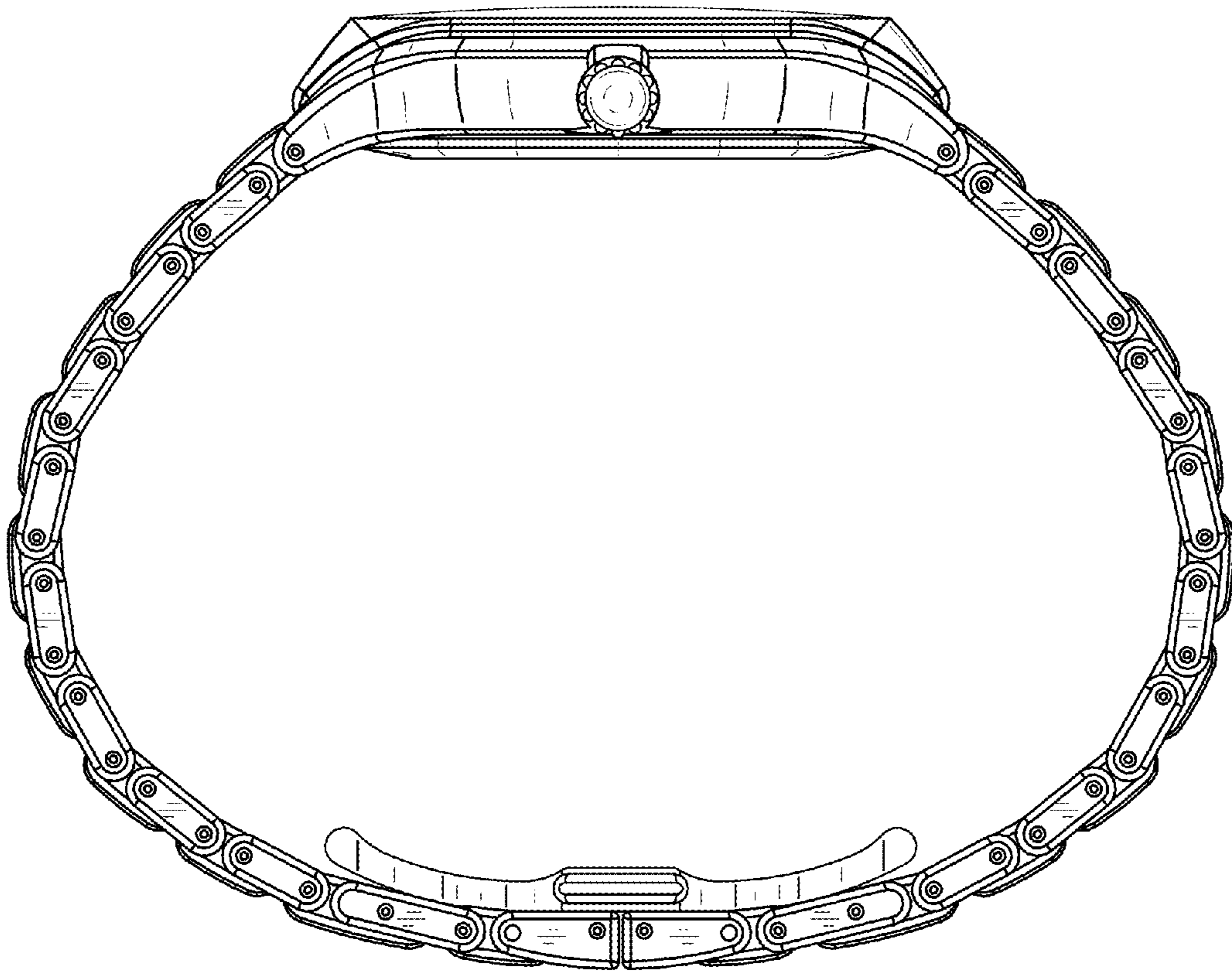


FIG. 8

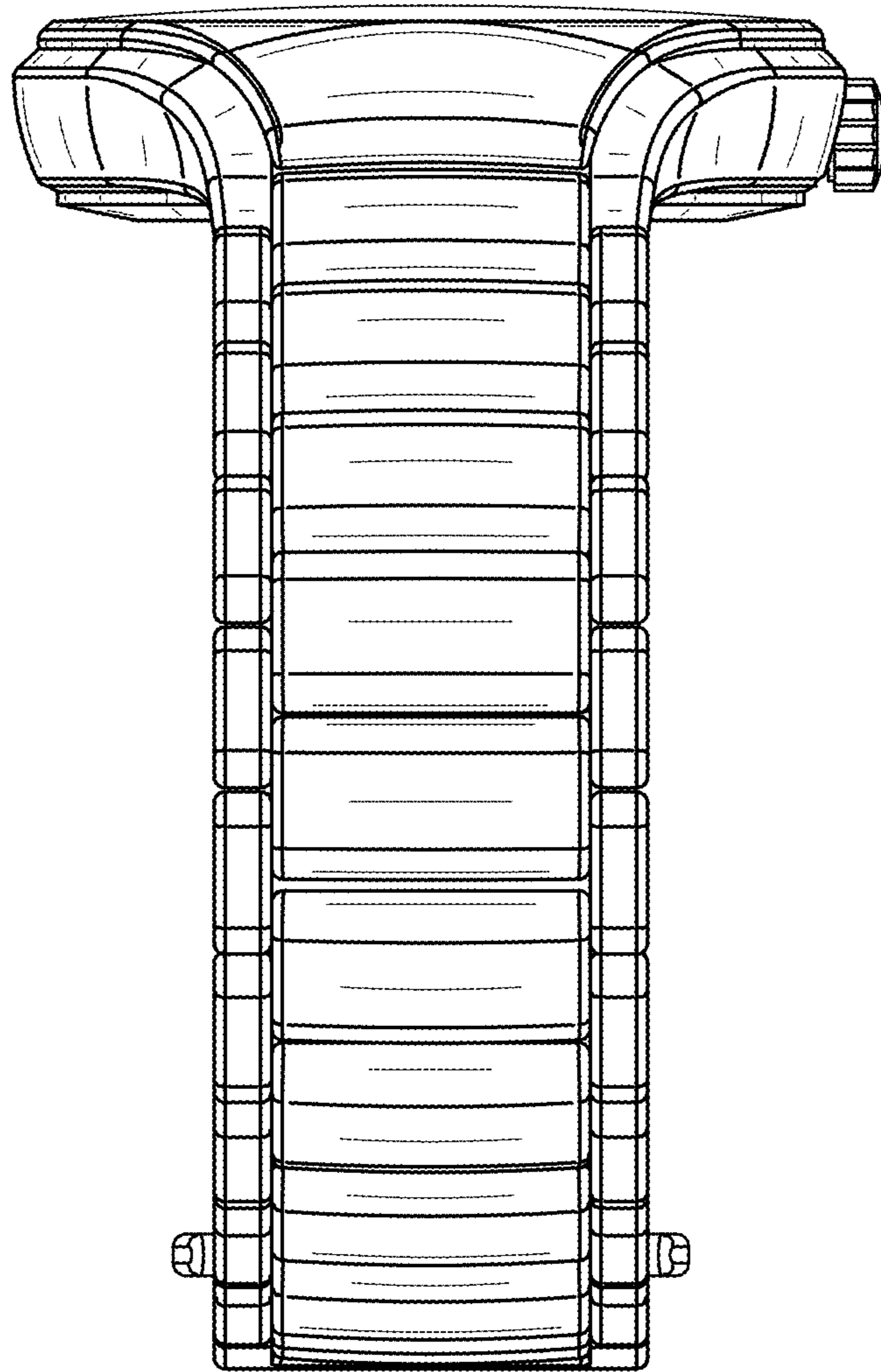


FIG. 9