



US00D761129S

(12) **United States Design Patent**  
**Calvani**

(10) **Patent No.:** **US D761,129 S**  
(45) **Date of Patent:** **\*\* \*Jul. 12, 2016**

- (54) **WATCH**
- (71) Applicant: **ROLEX WATCH U.S.A., Inc.**, New York, NY (US)
- (72) Inventor: **Maria Cristina Calvani**, Coligny (CH)
- (73) Assignee: **ROLEX WATCH U.S.A., Inc.**, New York, NY (US)
- (\*) Notice: This patent is subject to a terminal disclaimer.
- (\*\*) Term: **14 Years**
- (21) Appl. No.: **29/470,050**
- (22) Filed: **Oct. 17, 2013**

**Related U.S. Application Data**

- (62) Division of application No. 29/415,071, filed on Mar. 7, 2012, now Pat. No. Des. 714,661.

**Foreign Application Priority Data**

Nov. 3, 2011 (CH) ..... 138387

- (51) **LOC (10) Cl.** ..... **10-02**
- (52) **U.S. Cl.**  
USPC ..... **D10/30; D10/39; D10/126**
- (58) **Field of Classification Search**  
USPC ..... D10/30-39, 1-29, 122-132  
CPC ..... G04B 19/00; G04B 19/06; G04B 19/24;  
G04B 37/00; G04B 37/0008; G04B 37/05;  
G04B 45/0069; G04B 45/0076; G05B 45/00  
See application file for complete search history.

**References Cited**

**U.S. PATENT DOCUMENTS**

- 124,691 A \* 3/1872 Maranville ..... 368/37
- D53,110 S \* 3/1919 Bliss ..... D10/126

- D56,426 S \* 10/1920 Goodrow ..... D10/126
- D220,051 S 3/1971 Gsell
- 3,901,023 A 8/1975 Uebelhardt
- D309,870 S \* 8/1990 Grinberg ..... D10/126
- D350,702 S 9/1994 Schwarz
- D356,042 S 3/1995 Nakanishi
- D381,584 S 7/1997 Kennedy
- D401,866 S 12/1998 Pandel
- D415,694 S 10/1999 Fichter
- D459,241 S 6/2002 Bodino
- D493,729 S 8/2004 Monachon
- D502,880 S 3/2005 Bernheim
- D510,538 S \* 10/2005 Baden et al. .... D10/126
- D520,384 S 5/2006 Scheufele
- 7,307,916 B2 12/2007 Vogt et al.
- D576,905 S \* 9/2008 Calvani ..... D10/126
- D579,350 S 10/2008 Calvani
- D580,290 S 11/2008 Antifora
- D585,309 S 1/2009 Monachon
- D590,274 S \* 4/2009 Monachon ..... D10/31
- D592,080 S 5/2009 Mijatovic
- D616,782 S 6/2010 Chastaingt
- D624,442 S 9/2010 Clerc
- D624,443 S 9/2010 Cerrato

(Continued)

*Primary Examiner* — Martie K Holtje

(74) *Attorney, Agent, or Firm* — Sughrue Mion, PLLC

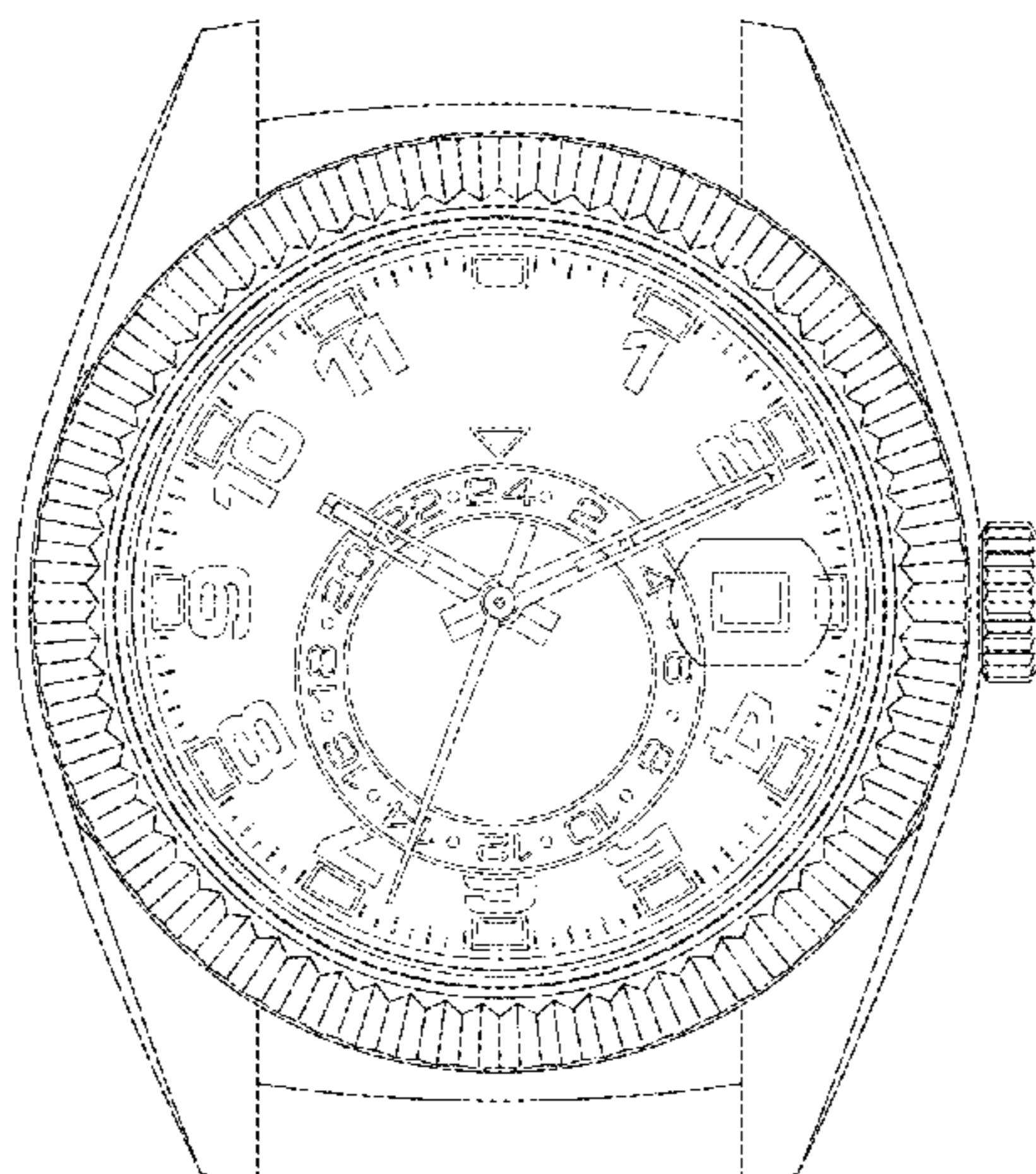
(57) **CLAIM**

The ornamental design for watch, as shown and described.

**DESCRIPTION**

FIG. 1 is a front view of the watch according to my design; FIG. 2 is a top plan view thereof; FIG. 3 is a right side elevational view thereof; FIG. 4 is a right front perspective view thereof; FIG. 5 is a rear elevational view thereof; FIG. 6 is a bottom plan view thereof; and, FIG. 7 is a left side elevational view thereof.

**1 Claim, 5 Drawing Sheets**



# US D761,129 S

Page 2

---

(56)

## References Cited

### U.S. PATENT DOCUMENTS

D658,517 S 5/2012 Behling  
D664,879 S \* 8/2012 Behling ..... D10/126  
D668,573 S 10/2012 Rabassa

D673,463 S 1/2013 Duport  
D707,572 S \* 6/2014 Calvani ..... D10/39  
D714,661 S \* 10/2014 Calvani ..... D10/39  
D718,648 S \* 12/2014 Calvani ..... D10/126

\* cited by examiner



FIG. 1

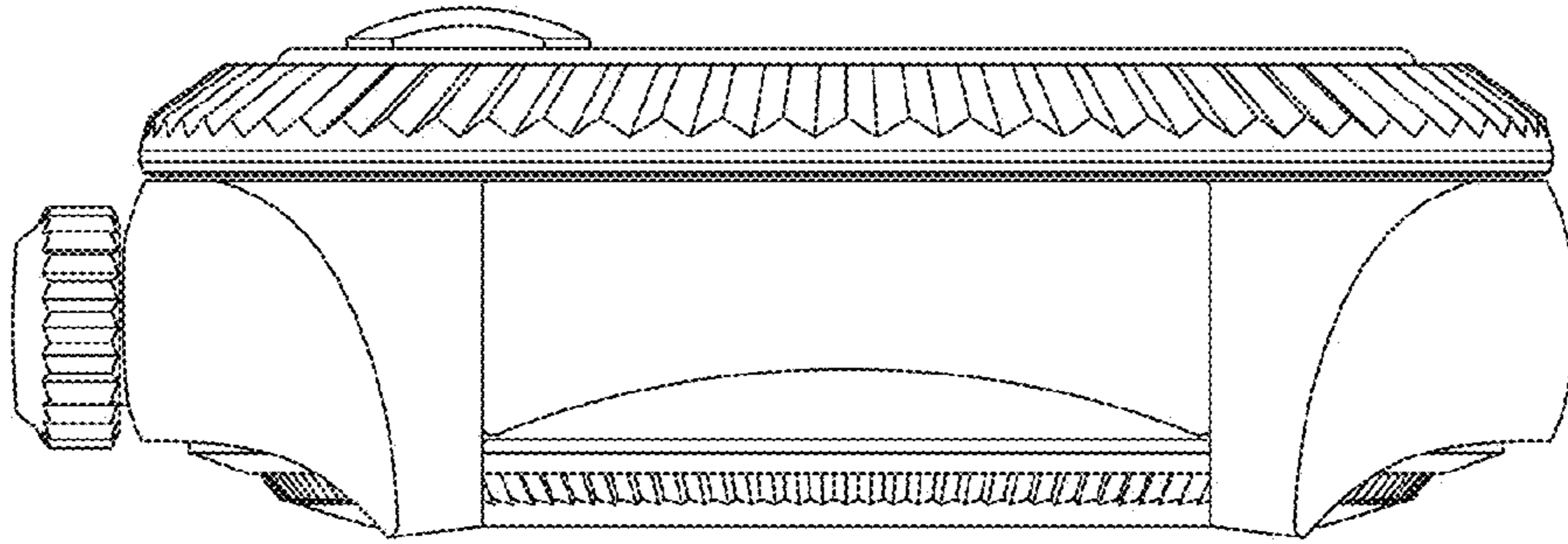


FIG. 2

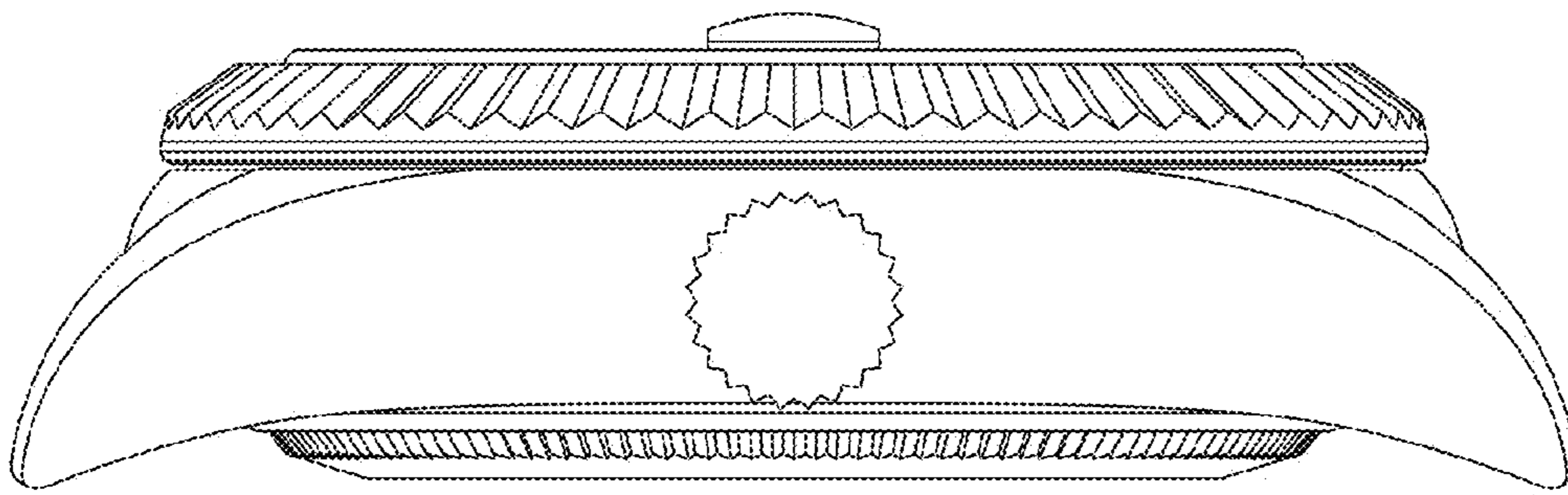


FIG. 3



FIG. 4

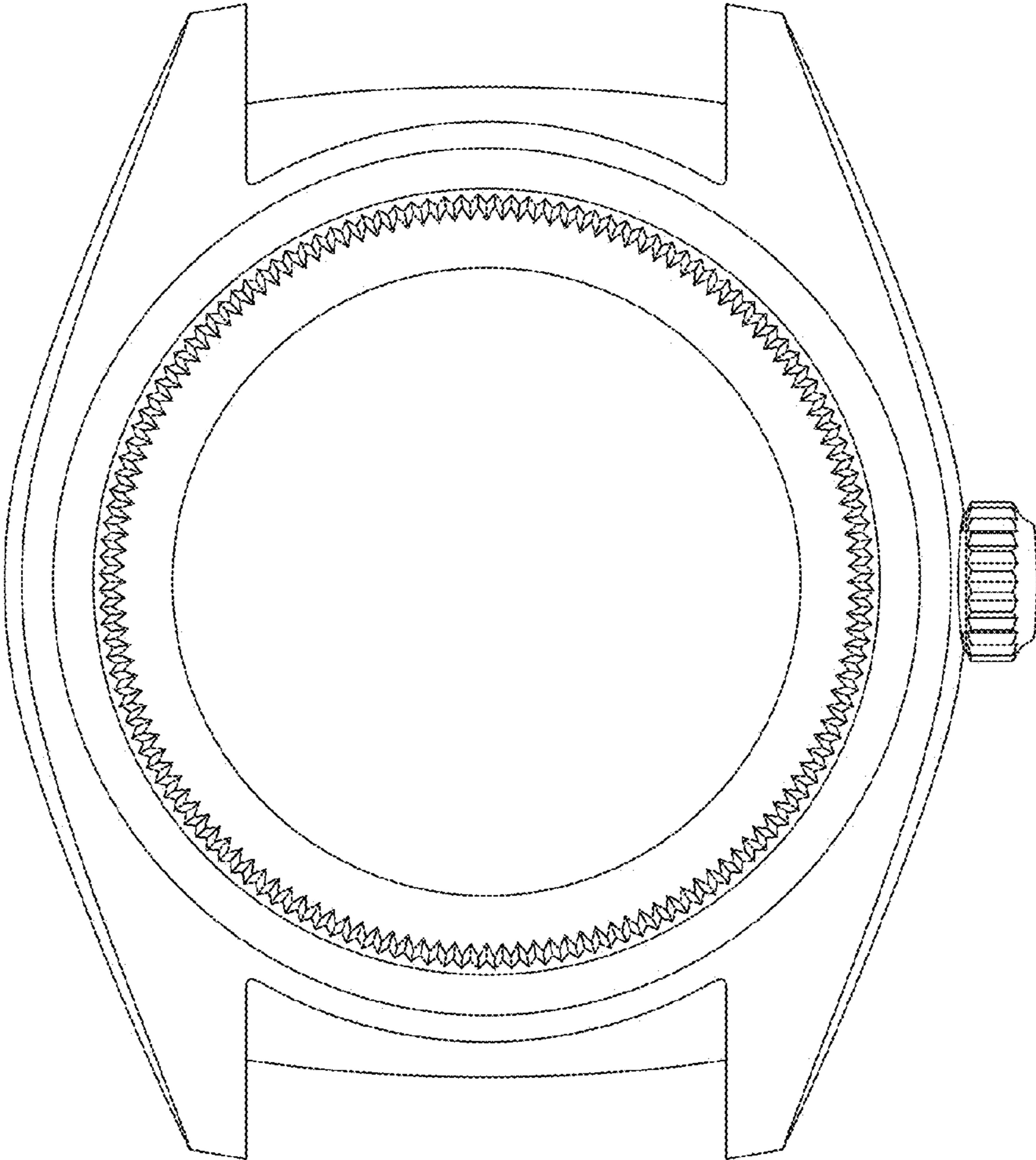


FIG. 5

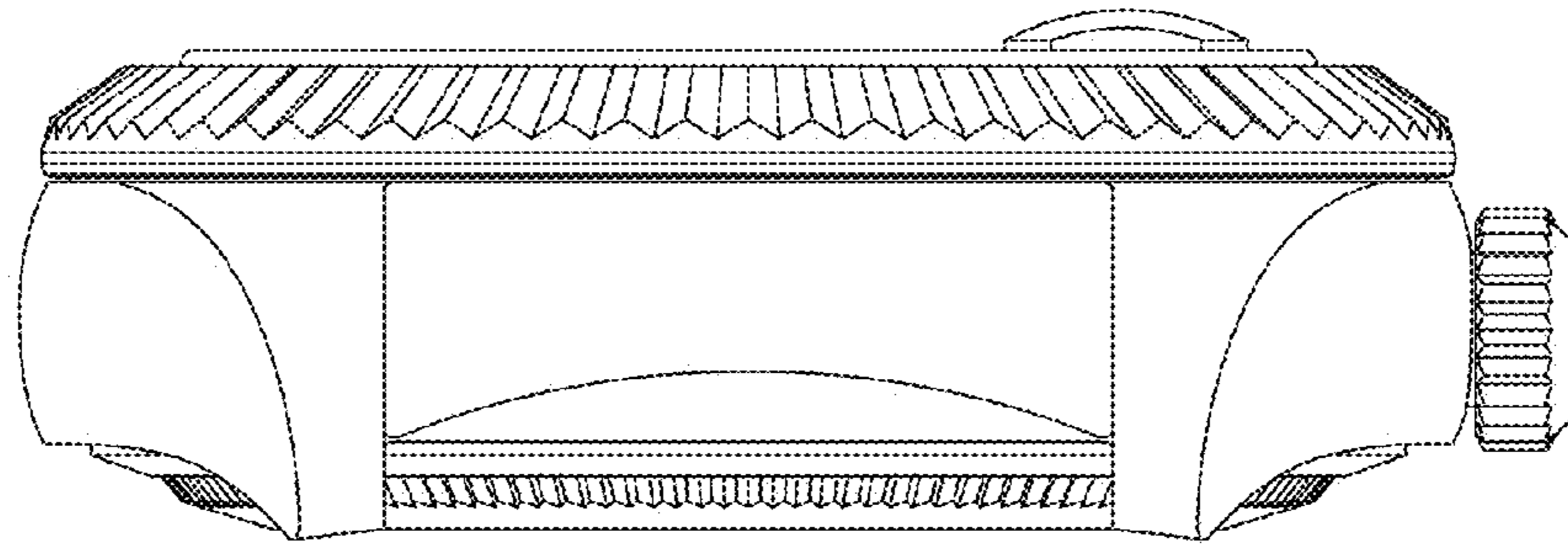


FIG. 6

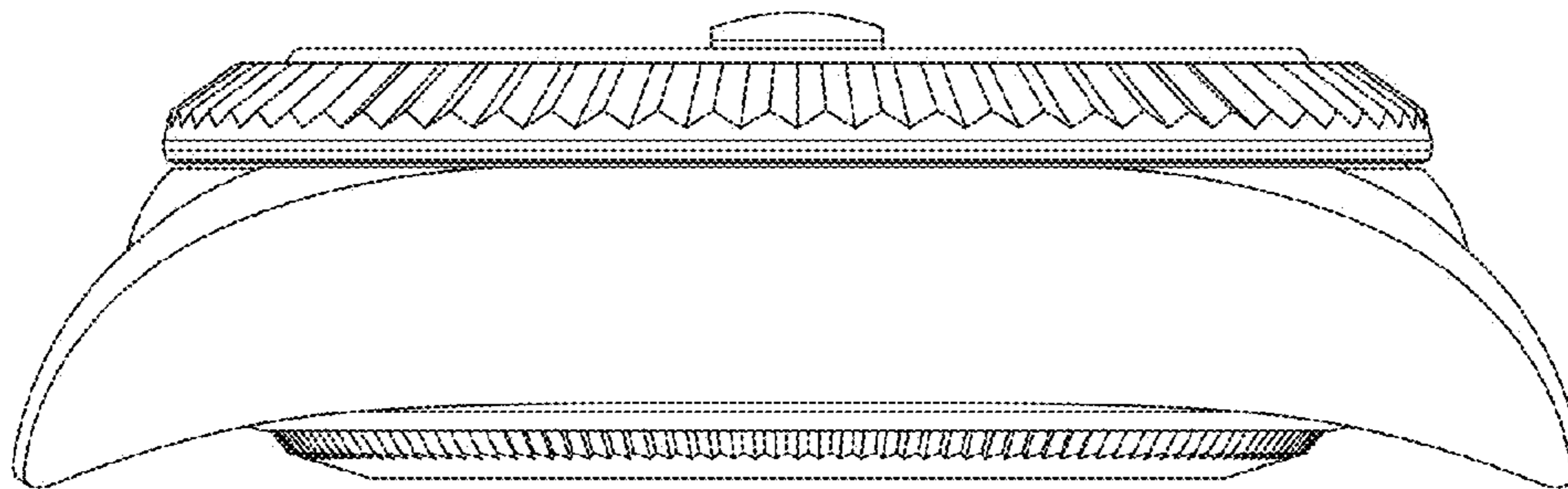


FIG. 7