



US00D761122S

(12) **United States Design Patent**
Pappalardo

(10) **Patent No.:** **US D761,122 S**
(45) **Date of Patent:** **** Jul. 12, 2016**

(54) **SEALING CAP FOR A SNAP ENGAGEMENT DISPENSING ASSEMBLY**

(71) Applicant: **Nordson Corporation**, Westlake, OH (US)

(72) Inventor: **Matthew E. Pappalardo**, Ewing, NJ (US)

(73) Assignee: **Nordson Corporation**, Westlake, OH (US)

(**) Term: **14 Years**

(21) Appl. No.: **29/518,452**

(22) Filed: **Feb. 24, 2015**

Related U.S. Application Data

(60) Division of application No. 29/460,871, filed on Jul. 16, 2013, now Pat. No. Des. 726,551, which is a division of application No. 29/437,504, filed on Nov. 16, 2012, now Pat. No. Des. 688,952, which is a continuation-in-part of application No. 13/664,512, filed on Oct. 31, 2012, now Pat. No. 9,138,772.

(51) **LOC (10) Cl.** **09-01**

(52) **U.S. Cl.**
USPC **D9/723**

(58) **Field of Classification Search**
USPC D3/202, 203.1; D6/512, 515; D9/512, D9/515, 516, 529, 549, 550, 556, 558, 571, D9/723-725, 727; D24/100, 108, 115; D28/4, 7, 9, 73, 76, 85; 206/385; 222/1, 71, 173
CPC B65D 47/08; B65D 47/10; B67D 3/00
See application file for complete search history.

(56) **References Cited**

U.S. PATENT DOCUMENTS

D167,725 S 9/1952 Soffer
2,681,463 A 6/1954 Mayor

D199,606 S 11/1964 Waterman
D204,103 S 3/1966 Lydon
D225,838 S 1/1973 Filder
D242,327 S 11/1976 Schneider
D262,149 S 12/1981 Plaut
D286,380 S 10/1986 Harman
D314,622 S * 2/1991 Andersson D24/112
D318,233 S 7/1991 Ackerman
D321,252 S 10/1991 Jepson et al.
D328,244 S 7/1992 Hamilton et al.

(Continued)

FOREIGN PATENT DOCUMENTS

EP 2407249 A1 1/2012

Primary Examiner — Derrick Holland

Assistant Examiner — Janice Lim

(74) *Attorney, Agent, or Firm* — Baker & Hostetler LLP

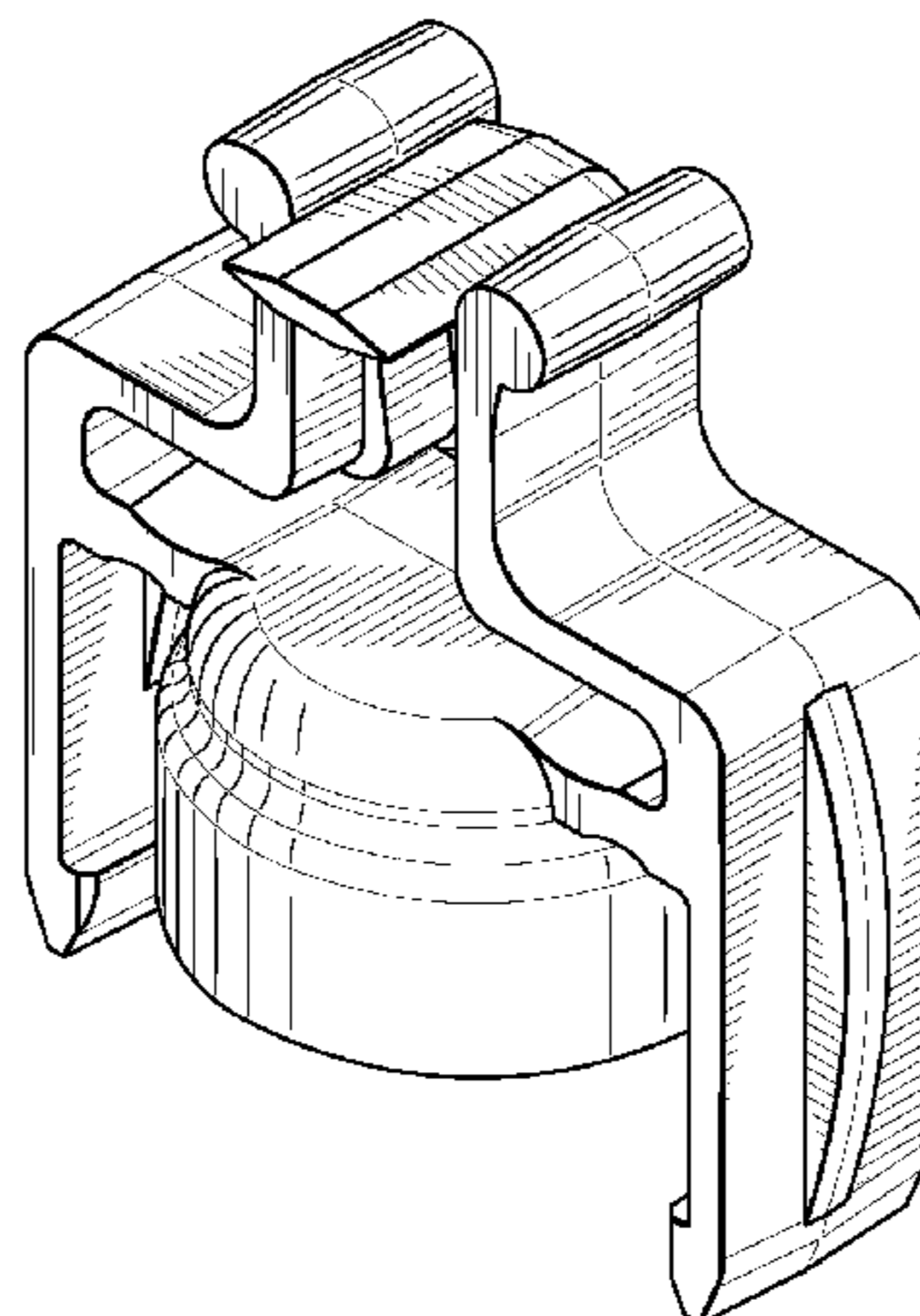
(57) **CLAIM**

The ornamental design for a sealing cap for a snap engagement dispensing assembly, as shown and described.

DESCRIPTION

FIG. 1 is a top front perspective view of a sealing cap for a snap engagement dispensing assembly, showing my new design;
FIG. 2 is a bottom front perspective view thereof;
FIG. 3 is a front view thereof;
FIG. 4 is a cross-sectional view thereof, taken along the line 4-4 of FIG. 3, and the opposite cross-sectional view being a mirror image thereof;
FIG. 5 is a right side view thereof, and the left side view being a mirror image thereof;
FIG. 6 is a rear view thereof;
FIG. 7 is a top plan view thereof; and,
FIG. 8 is a bottom plan view thereof.
The broken line portions show unclaimed subject matter only and form no part of the claimed design.

1 Claim, 4 Drawing Sheets



(56)

References Cited

U.S. PATENT DOCUMENTS

D332,221 S	1/1993	Willems			
D335,809 S	5/1993	Reifenberger			
5,228,599 A	7/1993	Keller			
D342,136 S	12/1993	Lafferty et al.			
D358,295 S	5/1995	Moench			
D358,329 S	5/1995	Dickie			
5,462,204 A	10/1995	Finn			
5,797,897 A *	8/1998	Jepson	A61J 1/2089		
			604/239		
5,810,792 A	9/1998	Fangrow, Jr. et al.			
D399,559 S *	10/1998	Molina	D24/112		
5,918,772 A	7/1999	Keller et al.			
D427,309 S	6/2000	Molina			
D428,141 S *	7/2000	Brotspies	D24/114		
6,186,363 B1	2/2001	Keller et al.			
D439,664 S *	3/2001	Cuschieri	D24/133		
D440,654 S	4/2001	Mark			
D462,268 S	9/2002	Schroeder et al.			
D471,797 S	3/2003	Guerrera et al.			
D480,959 S	10/2003	Dewood			
D485,577 S	1/2004	Lord et al.			
6,769,574 B1	8/2004	Keller			
7,316,330 B2	1/2008	Muller et al.			
D566,547 S	4/2008	Lacov			
D577,822 S *	9/2008	Gallogly	D24/130		
7,481,333 B2	1/2009	Goldberg et al.			
7,631,782 B2	12/2009	Engelbrecht et al.			
D614,296 S *	4/2010	Young	D24/130		
7,717,357 B2	5/2010	Gantenbein et al.			
7,849,574 B2 *	12/2010	Dickinson	F16H 57/023		
			29/252		
D633,384 S	3/2011	Tanaka			
D659,244 S	5/2012	Hermle			
D660,695 S	5/2012	Ishizawa et al.			
D661,598 S	6/2012	Battisti			
2001/0021823 A1	9/2001	Nemoto			
2005/0035153 A1	2/2005	Brown			
2005/0230422 A1	10/2005	Muller et al.			
2007/0282280 A1 *	12/2007	Tennican	A61M 39/165		
			604/246		
2010/0102088 A1	4/2010	Keller			
2010/0102477 A1	4/2010	Helie et al.			
2010/0206905 A1	8/2010	Horner et al.			

* cited by examiner

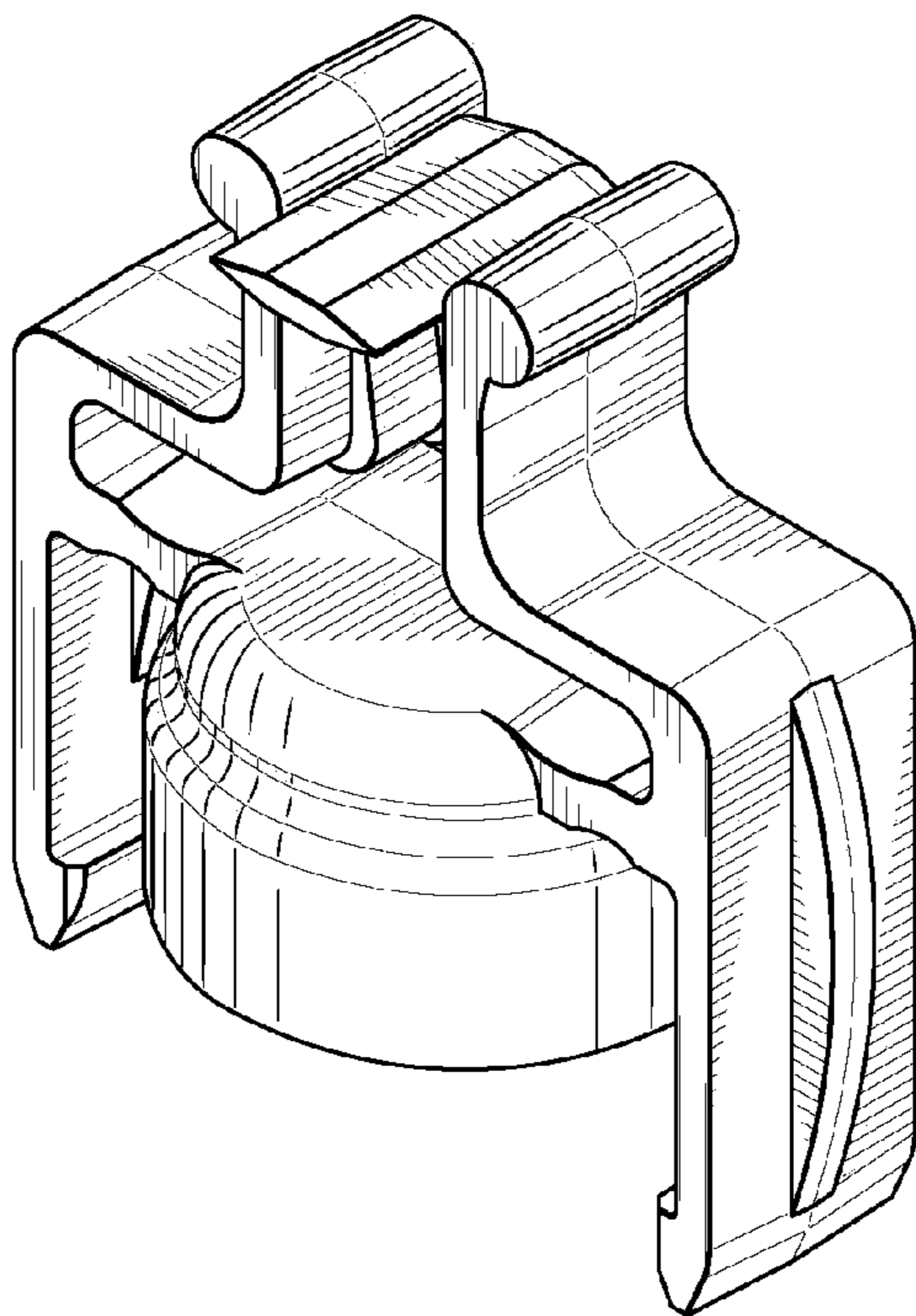


FIG. 1

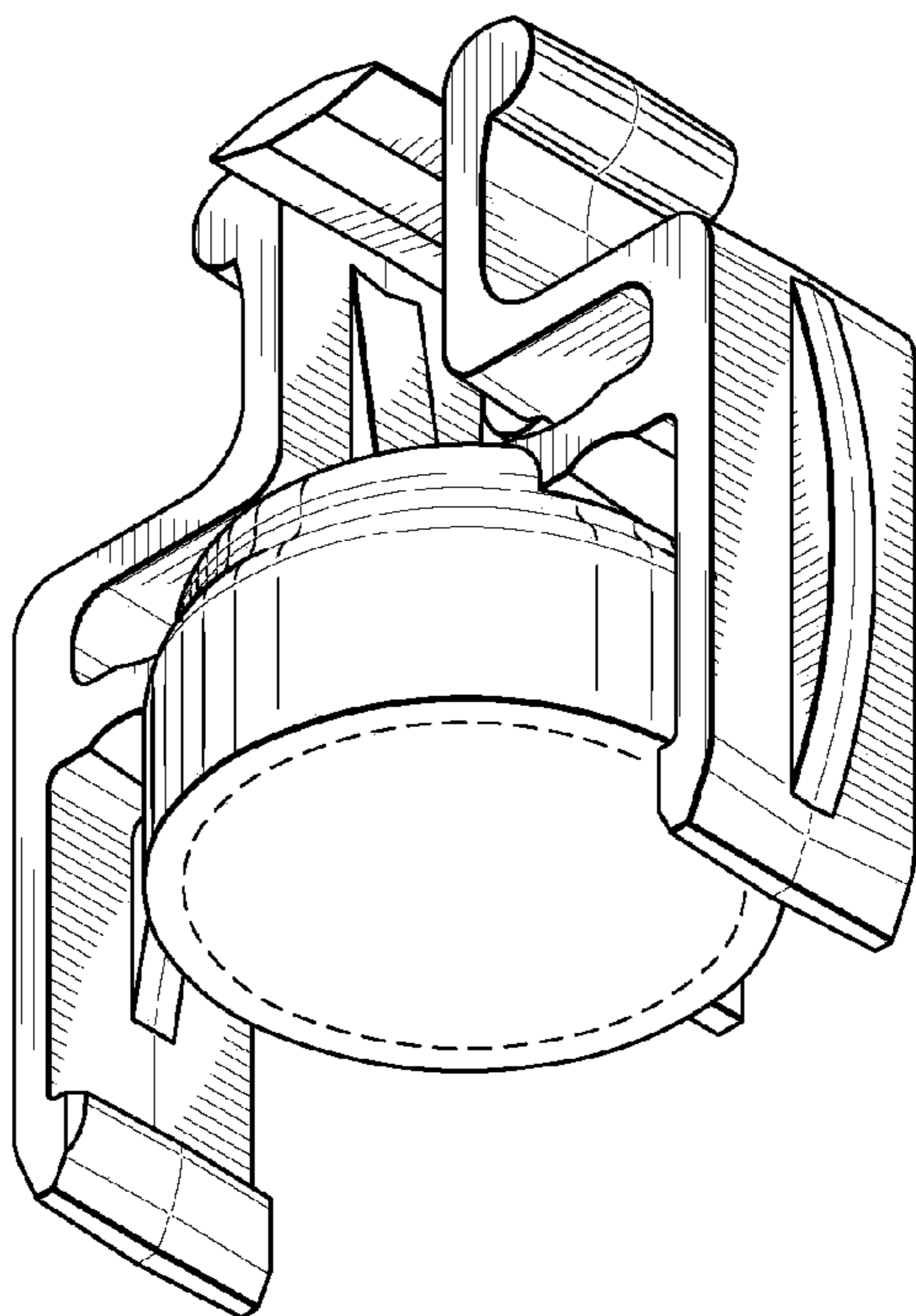


FIG. 2

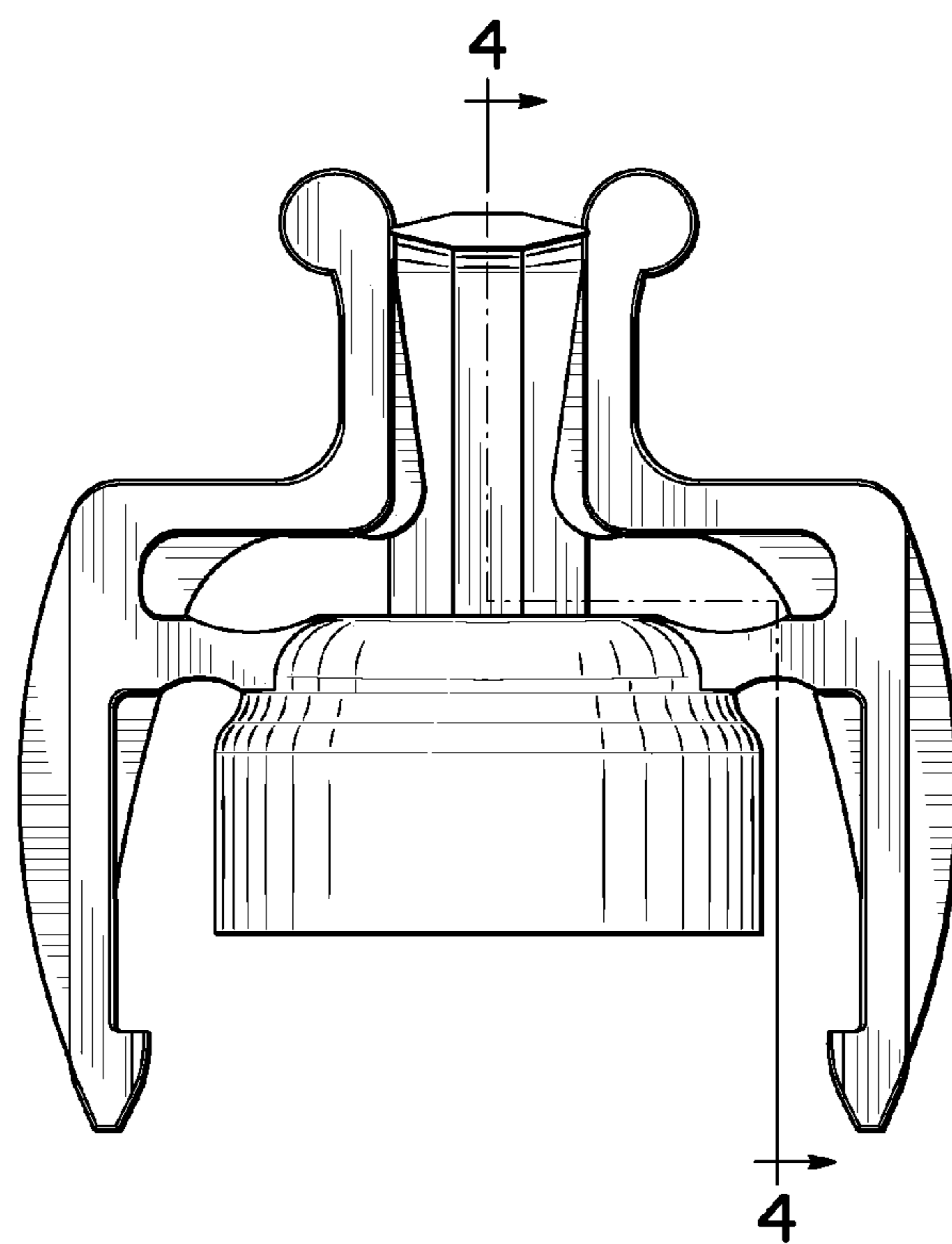


FIG. 3

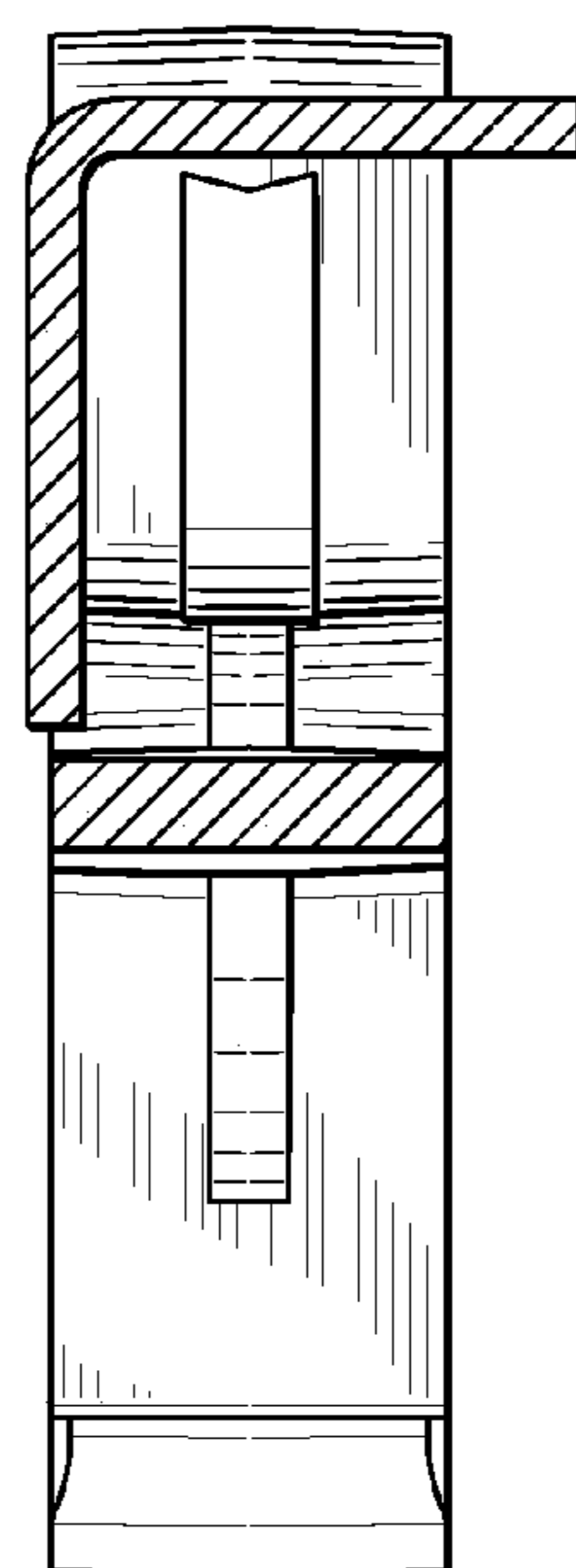


FIG. 4

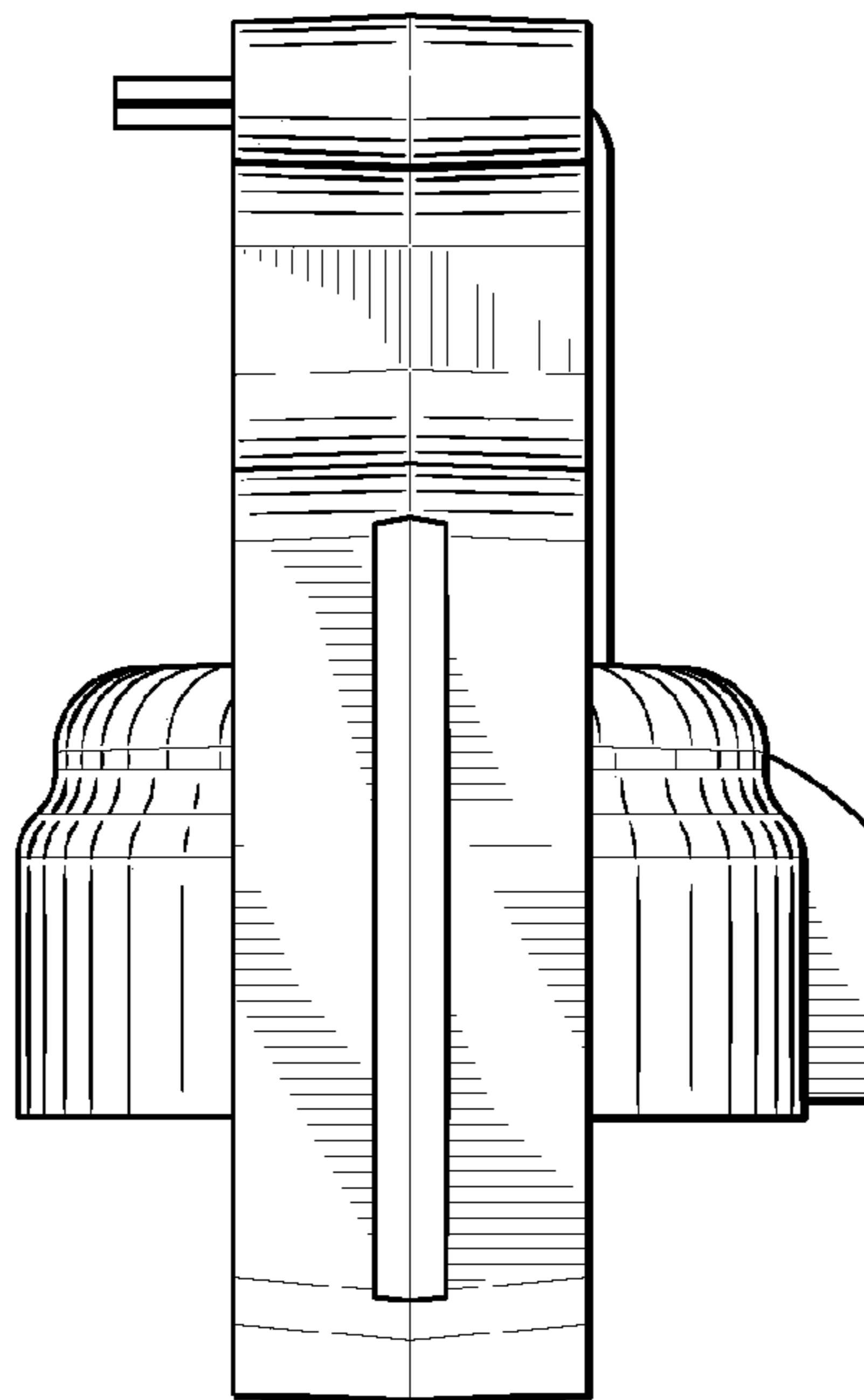


FIG. 5

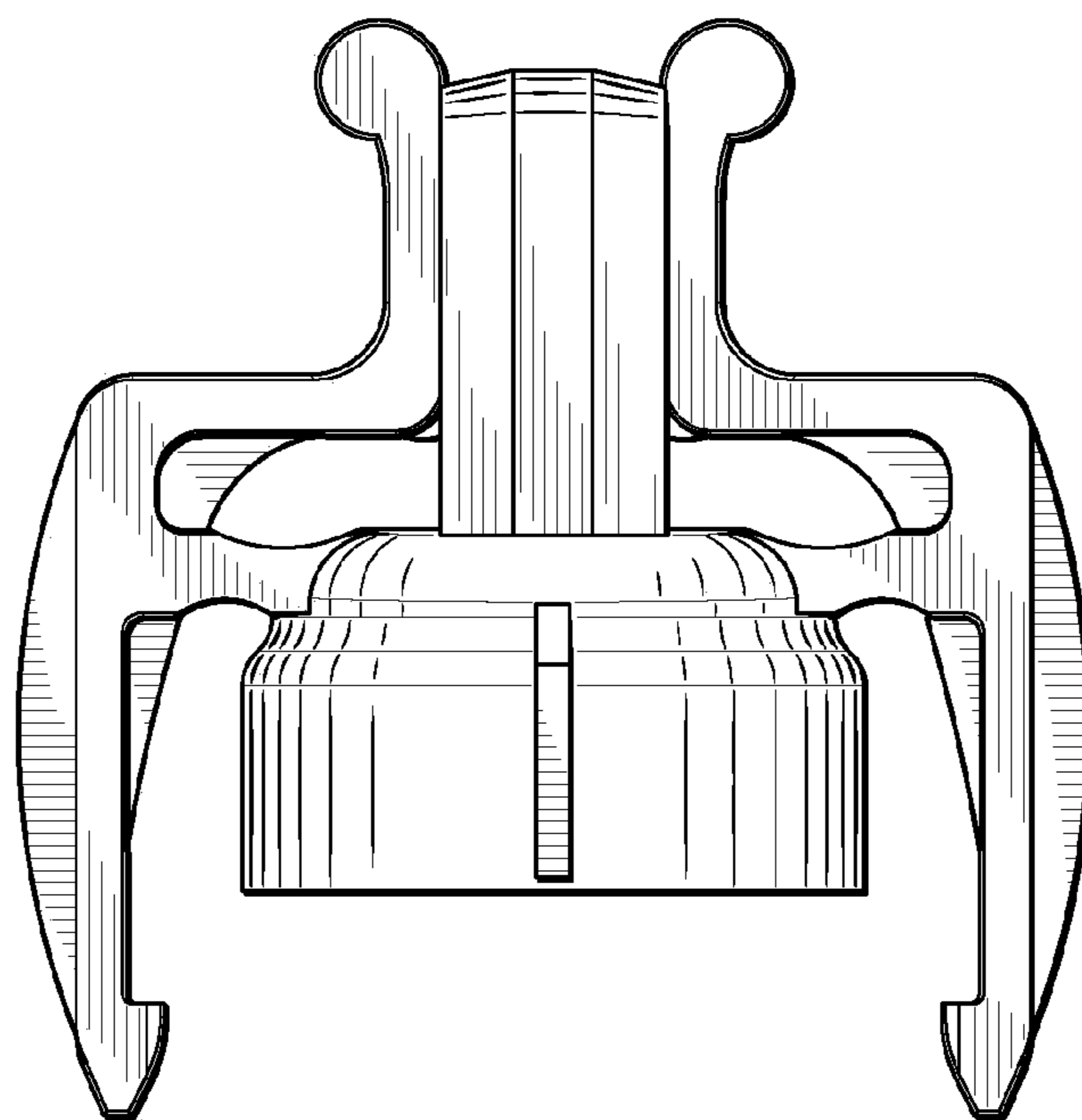


FIG. 6

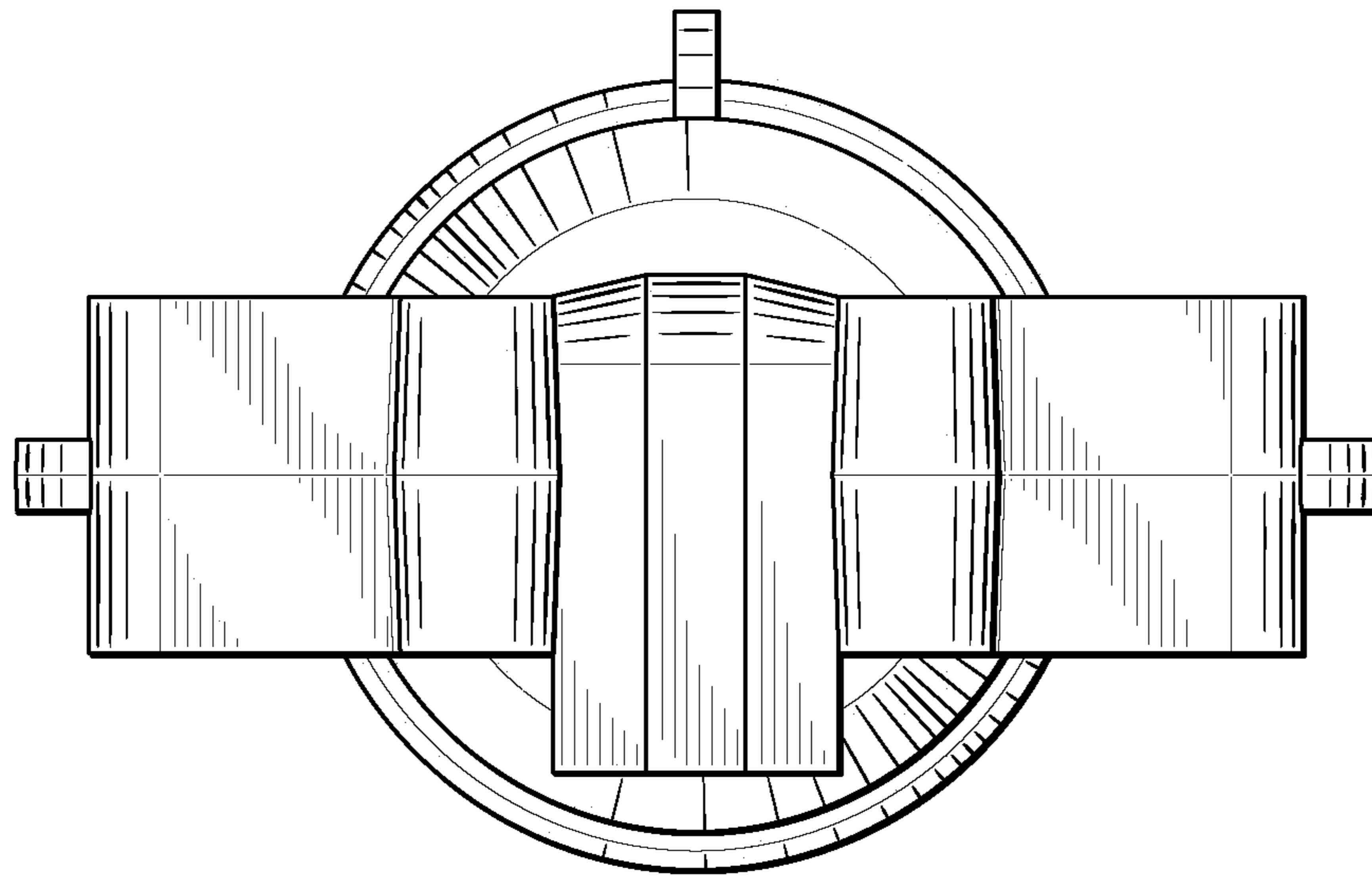


FIG. 7

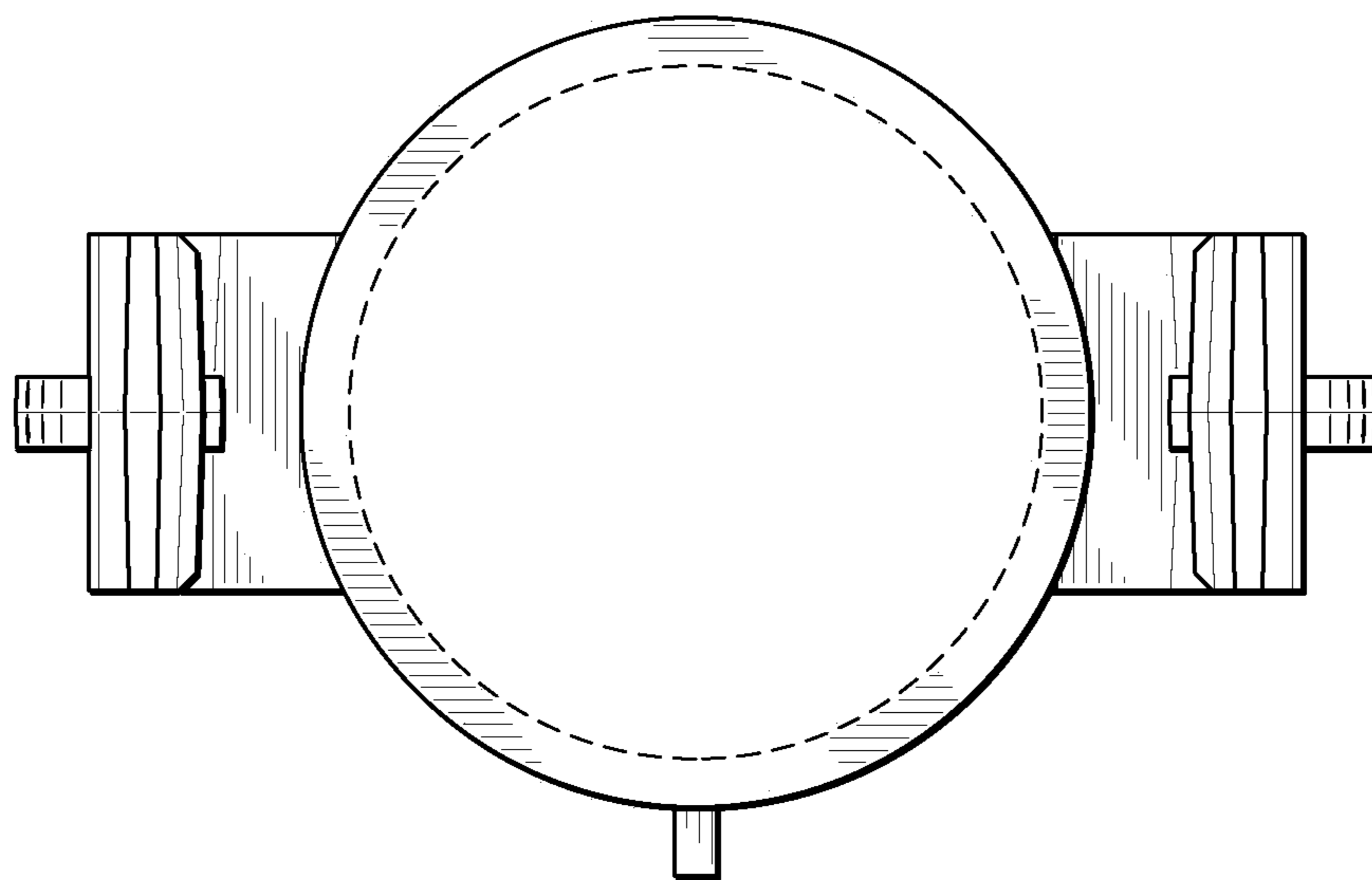


FIG. 8