



US00D761121S

(12) **United States Design Patent**
Graham et al.

(10) **Patent No.:** **US D761,121 S**
(45) **Date of Patent:** **** Jul. 12, 2016**

(54) **BEVERAGE POD PACKAGING**

(71) Applicant: **DW Product Development Inc.**, Ottawa (CA)

(72) Inventors: **Romeo Graham**, Ottawa (CA); **Robert D. Watters**, Ottawa (CA)

(73) Assignee: **DW Product Development Inc.**, Ottawa (CA)

(**) Term: **14 Years**

(21) Appl. No.: **29/494,301**

(22) Filed: **Jun. 19, 2014**

(30) **Foreign Application Priority Data**

Dec. 24, 2013 (CA) 154436

(51) **LOC (10) Cl.** **09-03**

(52) **U.S. Cl.**
USPC **D9/720**

(58) **Field of Classification Search**
USPC D9/702, 704, 713, 715, 720, 722;
426/106, 123; 206/216, 217, 756, 778;
229/87.05, 87.06, 87.08
CPC B65D 77/24; B65D 75/68; B65D 51/28;
B65D 75/66; B65D 2543/00296; B65D
5/4204; B65D 75/38; B65D 75/58; B65D
85/60; B65D 85/36; B65D 75/28; B65D
85/816; B65D 75/5827; B65D 75/5844;
B65D 75/26; B65D 75/5833; B65D 85/72;
B65D 81/24; B65D 75/14; B65D 77/02;
B65D 2571/0066; B65D 75/522
See application file for complete search history.

(56) **References Cited**

U.S. PATENT DOCUMENTS

2,952,394 A * 9/1960 Schneider B65D 75/50
229/113

D192,941 S * 5/1962 Schneider D9/707

3,074,612 A * 1/1963 Schneider B65D 75/50
229/103.1

3,347,363 A * 10/1967 Dykes B65D 75/50
206/436

3,379,360 A * 4/1968 Crossley B65D 75/50
229/116

3,404,988 A * 10/1968 Rausing B65D 5/065
229/140

3,420,366 A * 1/1969 Doyle B65D 85/542
206/436

3,598,609 A * 8/1971 Hoynak A23L 2/68
127/29

3,791,570 A * 2/1974 Hopkins B65D 75/50
156/461

3,923,238 A * 12/1975 Thomas B31B 1/74
229/116

5,188,285 A * 2/1993 Nilsson B65D 5/065
229/116

D346,326 S * 4/1994 Price, Sr. D11/131

D365,981 S * 1/1996 Sullivan D9/707

D644,101 S * 8/2011 Caldwell D9/430

D649,884 S * 12/2011 Guess D10/69

D701,016 S * 3/2014 Rupp D1/101

2008/0037912 A1 * 2/2008 Martuch B65D 75/5833
383/205

2012/0273560 A1 * 11/2012 Rupp B65D 75/5833
229/87.05

* cited by examiner

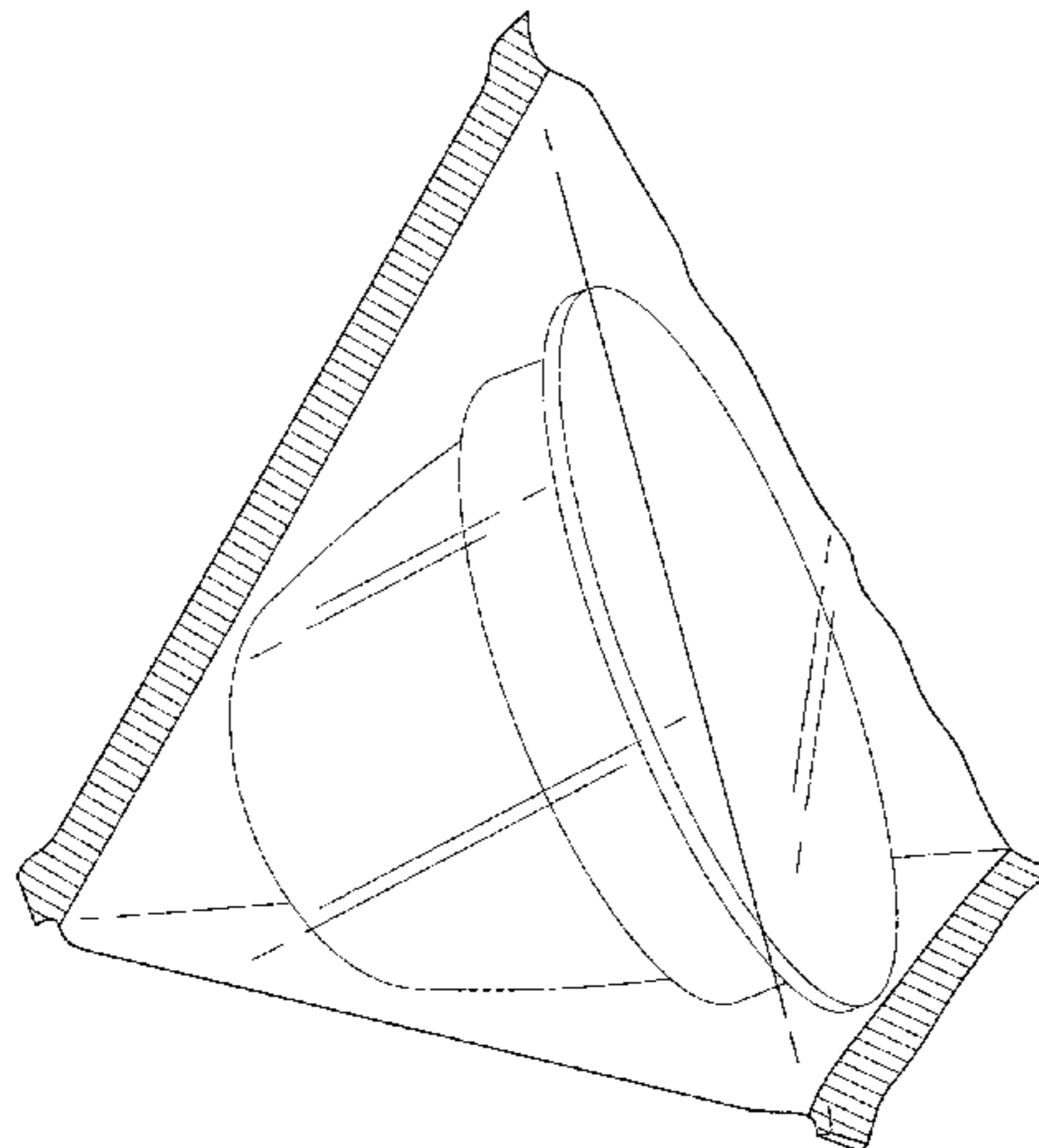
Primary Examiner — Derrick Holland
Assistant Examiner — Lauren Calve
(74) *Attorney, Agent, or Firm* — Miltons IP/p.i

(57) **CLAIM**
The ornamental design for a beverage pod packaging, as shown and described.

DESCRIPTION

FIG. 1 is a perspective view of a beverage pod packaging according to the present design.
FIG. 2 is a right side view of FIG. 1.
FIG. 3 is a back view of FIG. 1.
FIG. 4 is a front view of FIG. 1.
FIG. 5 is a bottom view of FIG. 1; and,
FIG. 6 is a top view of FIG. 1.

1 Claim, 6 Drawing Sheets



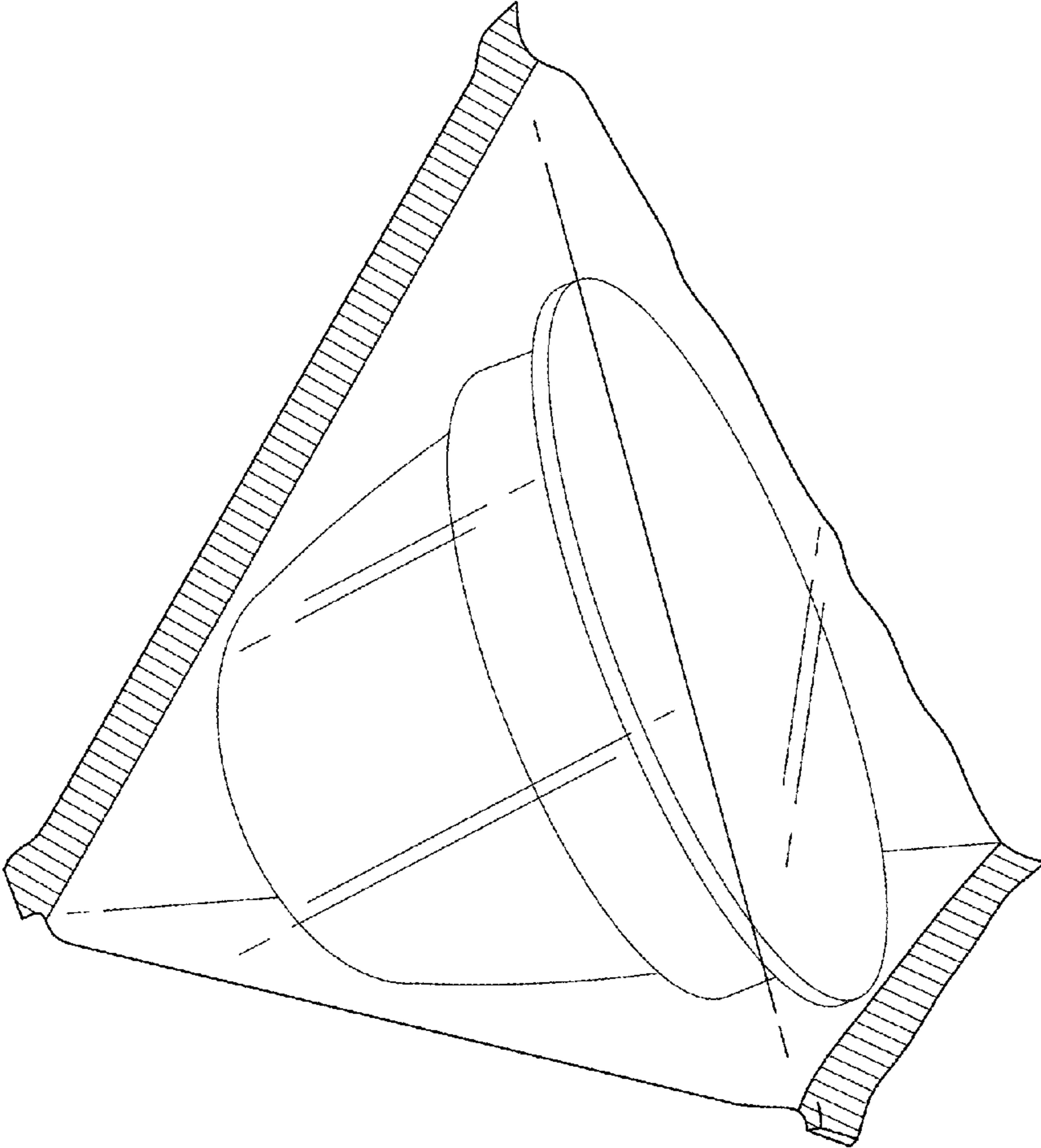


FIG. 1

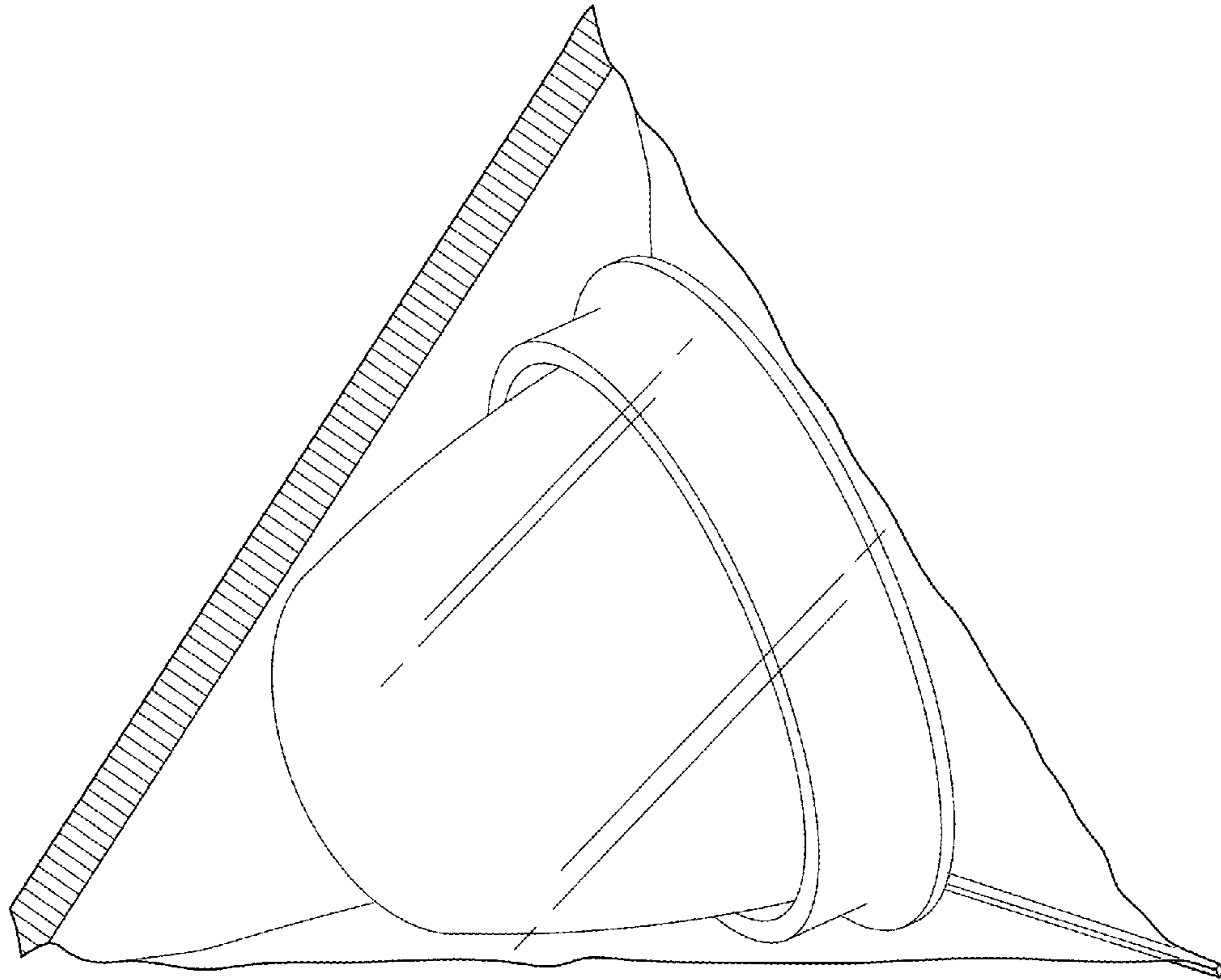


FIG. 2

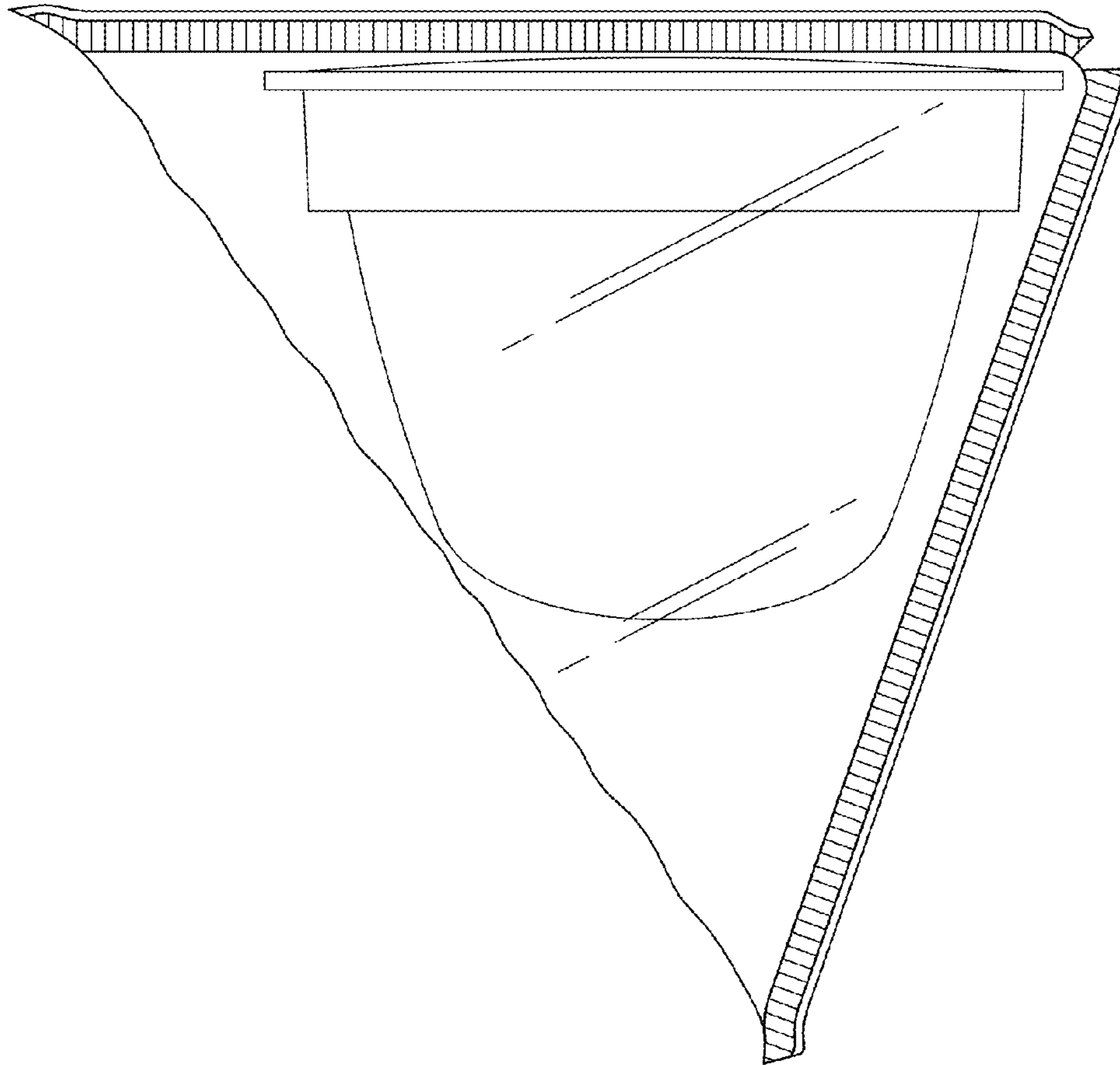


FIG. 3

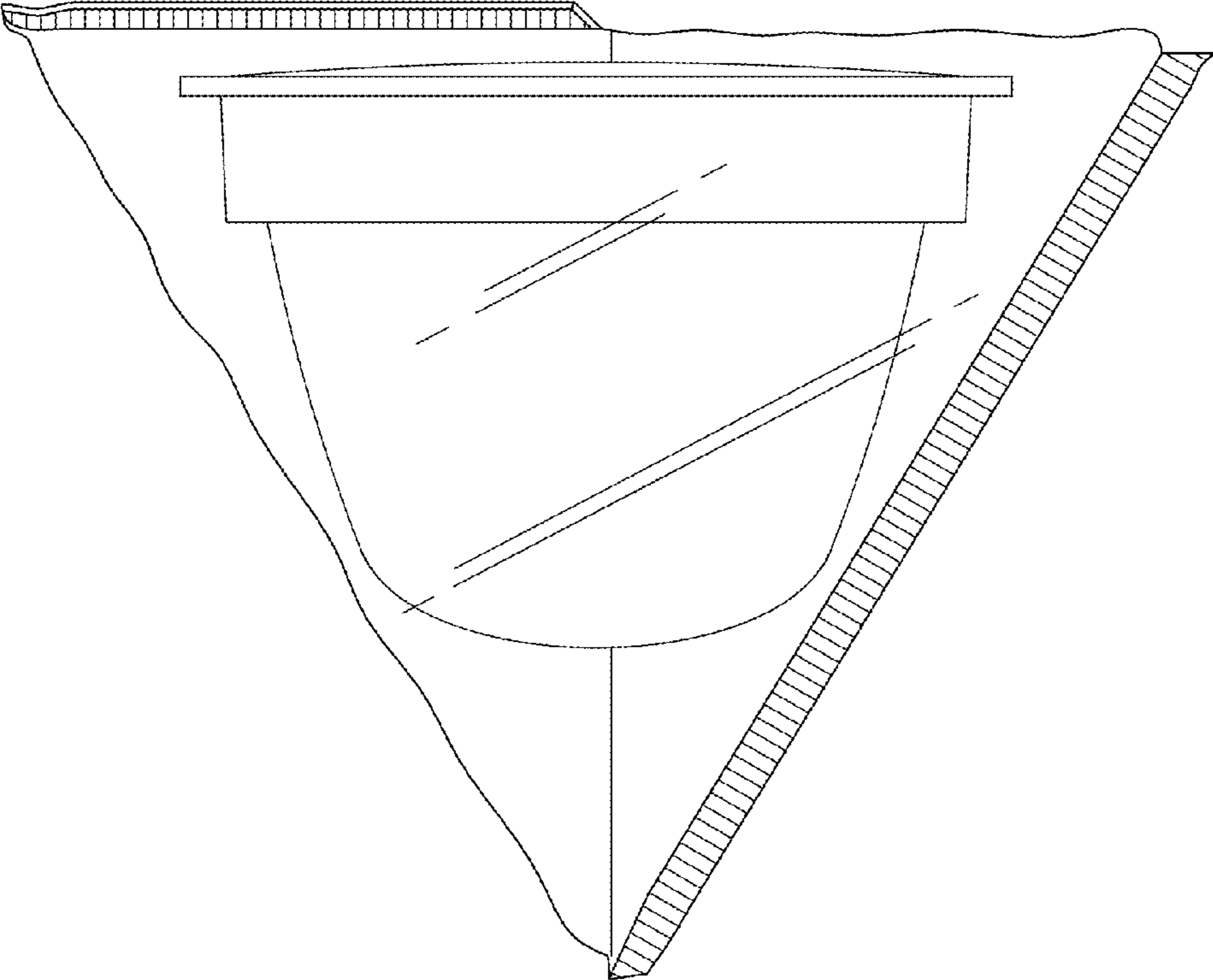


FIG. 4

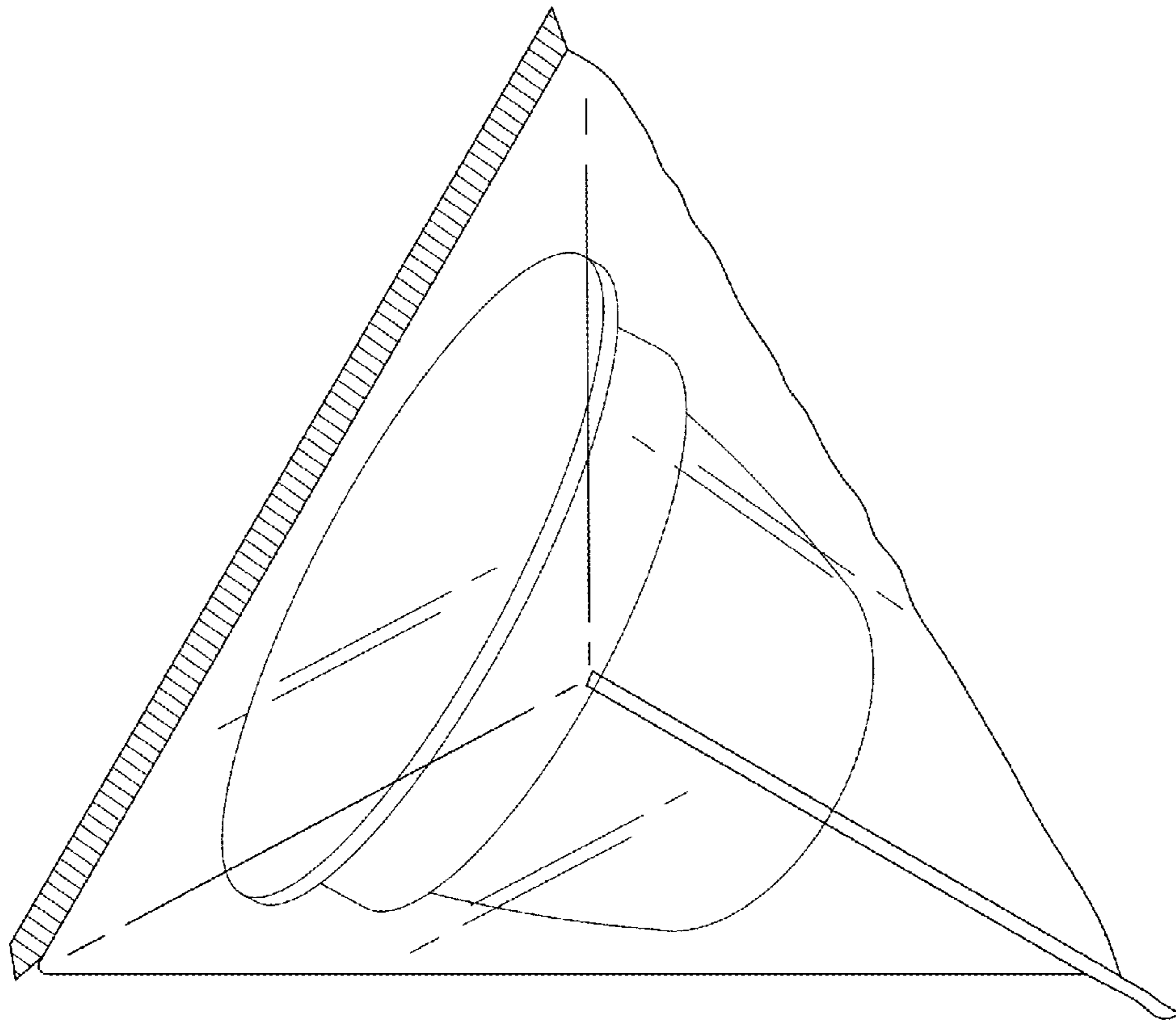


FIG. 5

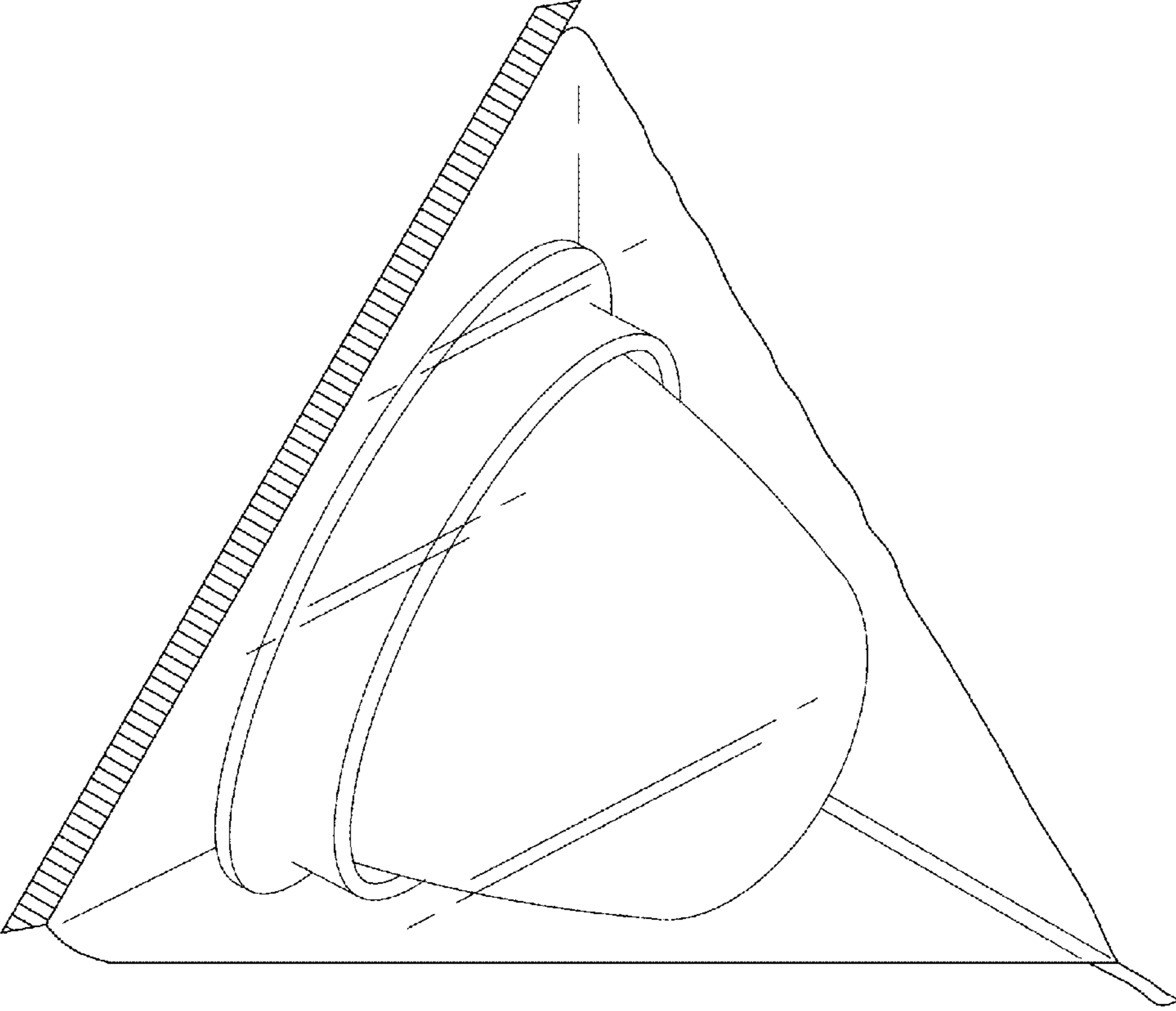


FIG. 6