

US00D761119S

(12) **United States Design Patent**
Crystal et al.

(10) **Patent No.:** **US D761,119 S**
(45) **Date of Patent:** **** Jul. 12, 2016**

- (54) **BARREL-SHAPED BOTTLE**
- (71) Applicant: **Evolution Spirits, Inc.**, New York, NY (US)
- (72) Inventors: **Ian Crystal**, New York, NY (US); **Zane Lamprey**, Studio City, CA (US)
- (73) Assignee: **Evolution Spirits, Inc.**, New York City, NY (US)

D226,424 S *	3/1973	Cooper	D9/633
D226,476 S *	3/1973	Cooper	D9/633
D226,519 S *	3/1973	Cooper	D9/633
D226,651 S *	4/1973	Cooper	D9/633
D226,900 S *	5/1973	Cooper	D9/633
D232,074 S *	7/1974	Cooper	D9/633
D245,148 S *	7/1977	Strand	D9/633
D271,564 S *	11/1983	Cooper	D9/633
D276,499 S *	11/1984	Kamada	D9/633
D303,601 S *	9/1989	Silveira	D9/633
D350,901 S *	9/1994	Pellew-Harvey	D9/556
D657,246 S *	4/2012	Nemeth	D9/502

(**) Term: **14 Years**

(21) Appl. No.: **29/525,357**

(22) Filed: **Apr. 29, 2015**

(51) **LOC (10) Cl.** **09-01**

(52) **U.S. Cl.**
USPC **D9/633**; D9/550; D9/556; D9/557;
D9/558

(58) **Field of Classification Search**
USPC D9/600, 633, 500-505, 516, 537-545,
D9/548-558; 206/457, 494, 459.5, 527,
206/540; 229/116.1; 446/77; 215/381-384,
215/400; D7/514-516, 539, 544, 571, 579,
D7/604, 613, 619.2, 628-630, 391-392.1;
D3/270-271.3

CPC B65D 67/00; B65D 81/36; B65D 81/60;
B65D 81/368; B65D 2203/00; B65D 2203/02;
A63H 33/16

See application file for complete search history.

(56) **References Cited**

U.S. PATENT DOCUMENTS

D133,946 S *	9/1942	Cox	D9/633
D183,541 S *	9/1958	Plochman	D9/633
D219,504 S *	12/1970	Terner	D9/633
D226,371 S *	2/1973	Cooper	D9/633

OTHER PUBLICATIONS

Monkey Rum Bottle, posted Jun. 18, 2015. <http://www.thespiritsbusiness.com/2015/06/tv-host-zane-lamprey-launches-monkey-rum/>.*

* cited by examiner

Primary Examiner — Sandra Morris

(74) *Attorney, Agent, or Firm* — Mitchell Law PLLC;
Matthew W. Mitchell

(57) **CLAIM**

The ornamental design for a barrel-shaped bottle, as shown and described.

DESCRIPTION

FIG. 1 is a front isometric view of the barrel-shaped bottle of the present invention;

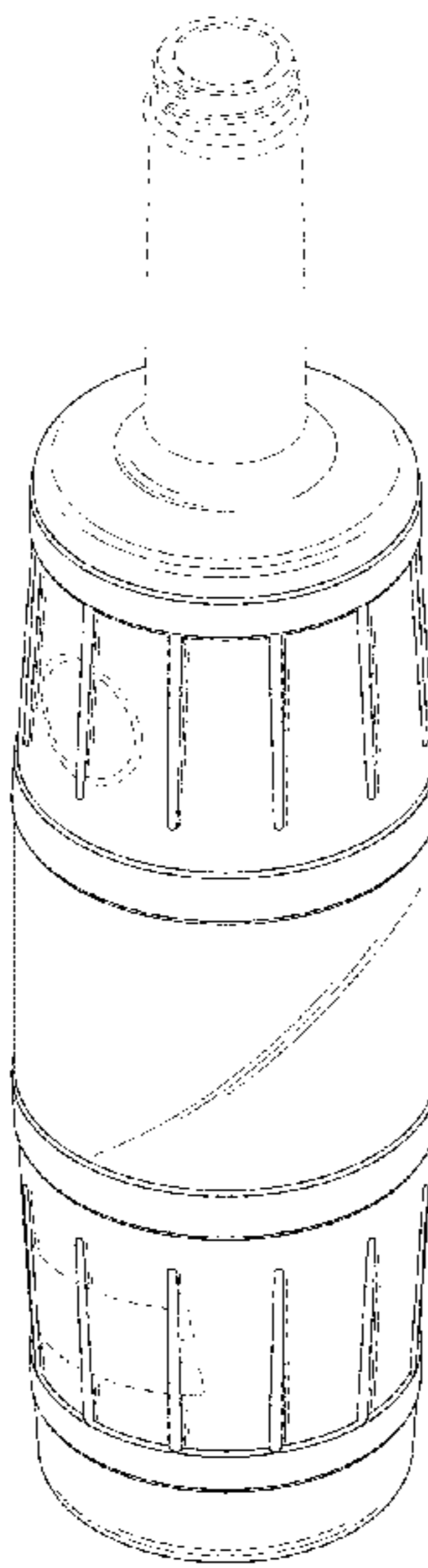
FIG. 2 is a front view of the invention of FIG. 1;

FIG. 3 is a side view of the invention of FIG. 1 as seen from a left side of FIG. 2, wherein the right side view is substantially identical to the left side view, the only difference being the positions of the dashed labels; and,

FIG. 4 is a top view in elevation of the invention of FIG. 1.

The broken line showing is for illustrative purposes only, and forms no part of the claimed design.

1 Claim, 2 Drawing Sheets



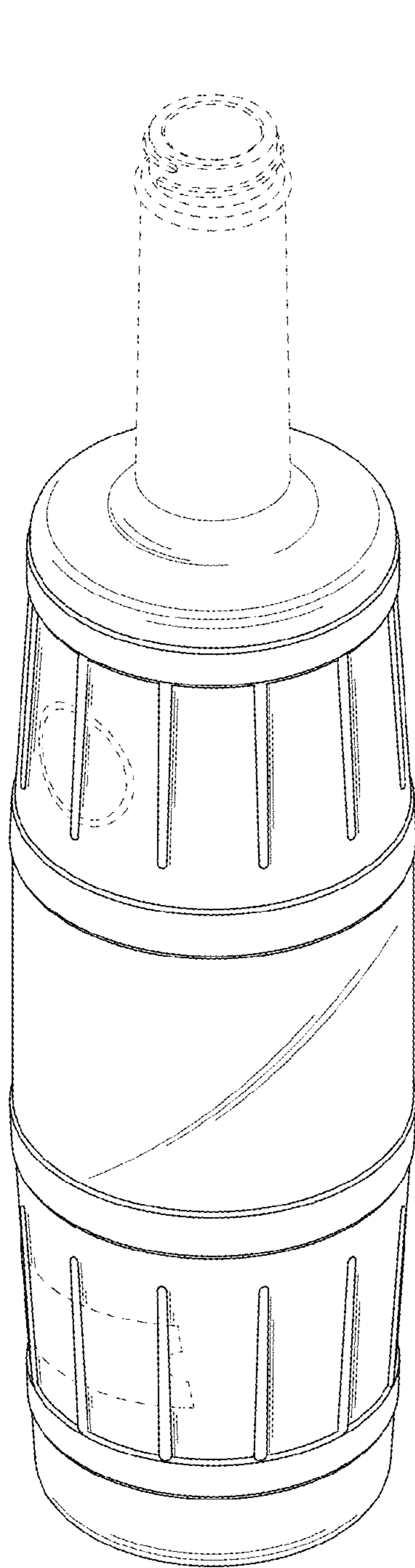


FIG. 1

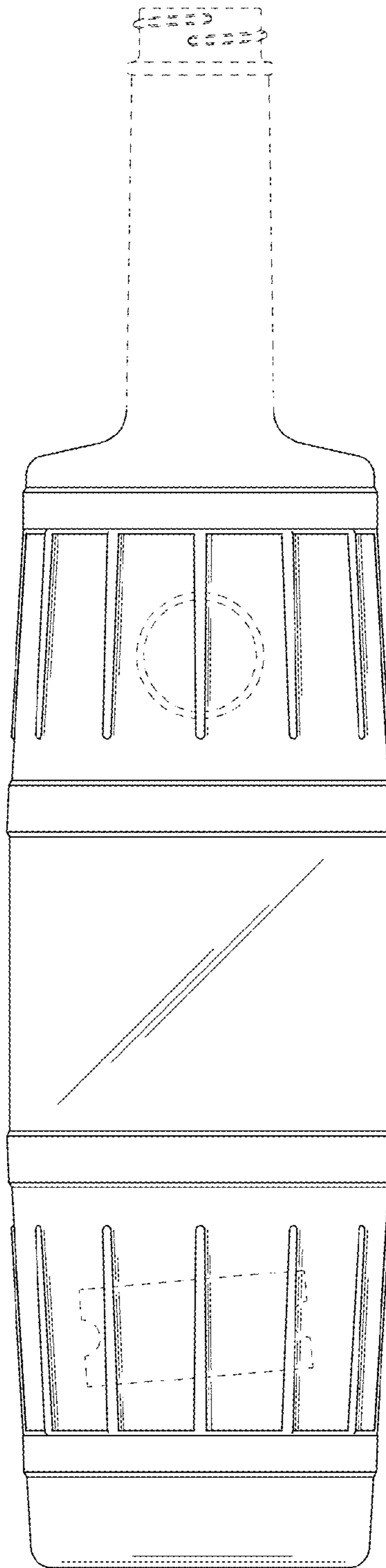


FIG. 2

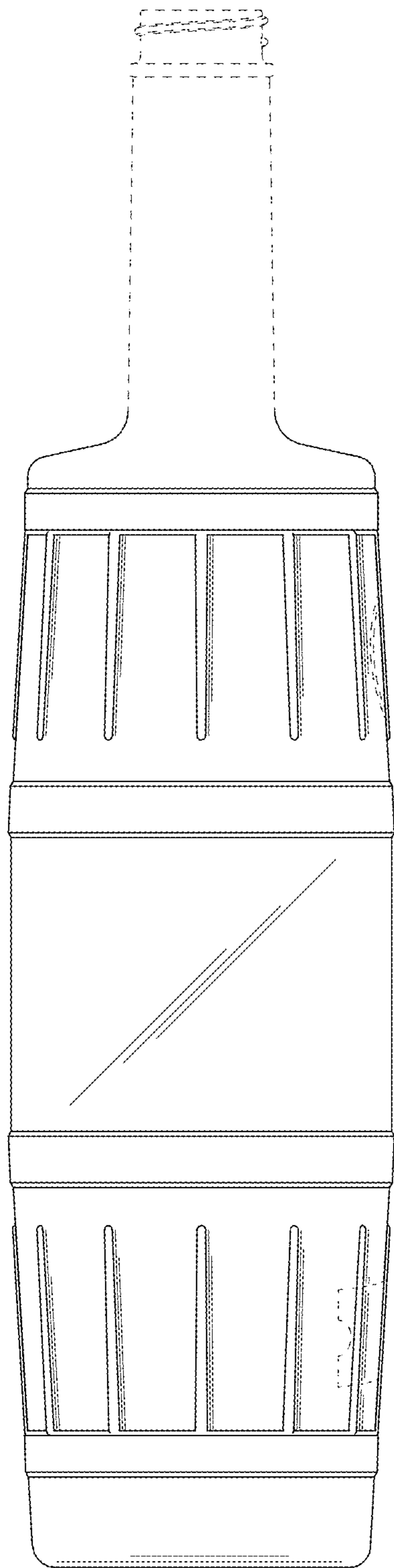


FIG. 3

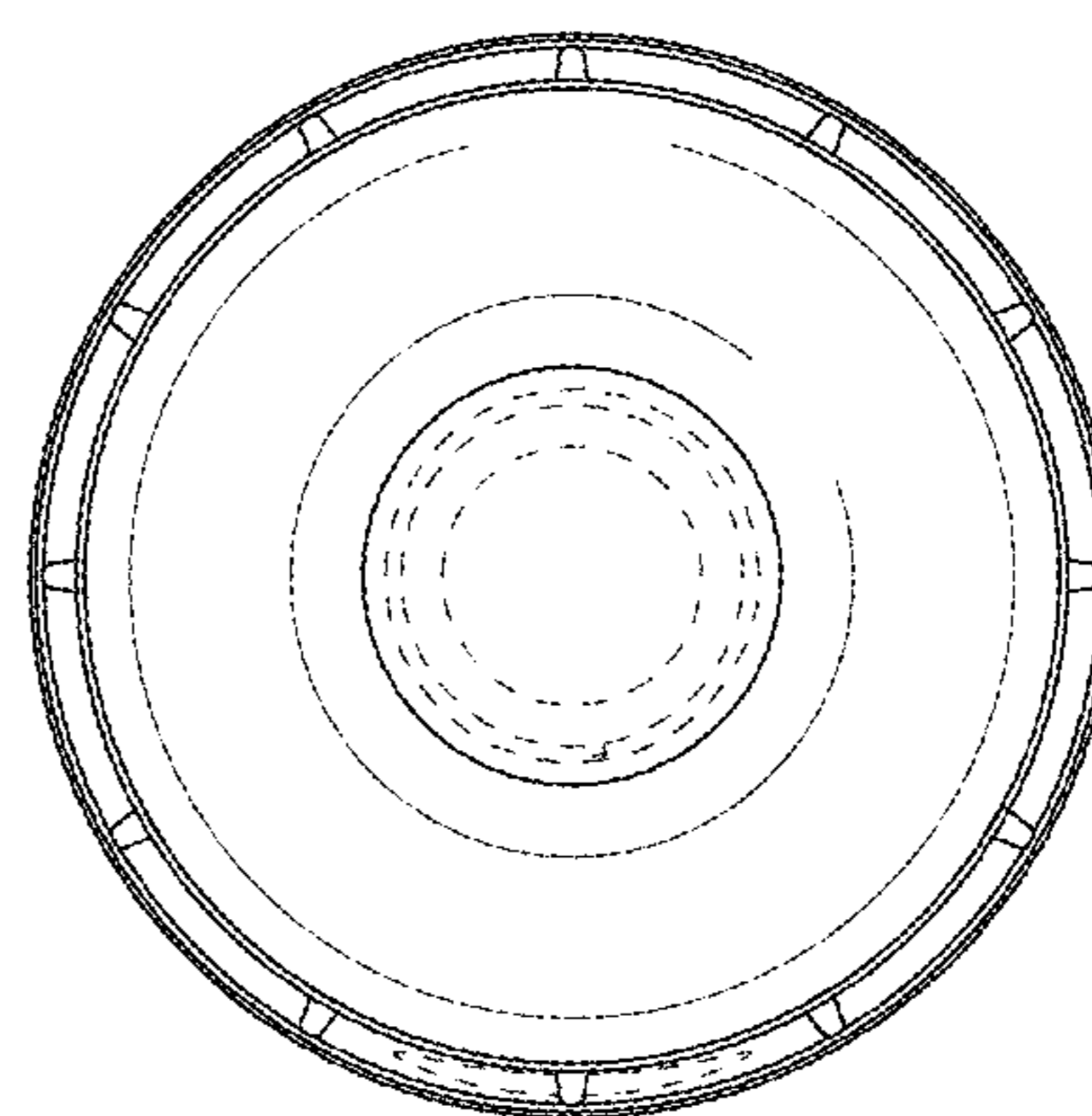


FIG. 4