



US00D761118S

(12) **United States Design Patent**
Seymour et al.

(10) **Patent No.:** **US D761,118 S**
(45) **Date of Patent:** **** Jul. 12, 2016**

(54) **LIP GLOSS AND OTHER COSMETIC APPLICATOR**

(71) Applicant: **LipsInc. LLC**, New York, NY (US)

(72) Inventors: **Phillip Seymour**, New York, NY (US);
Benjamin Martin, Brooklyn, NY (US)

(73) Assignee: **Lipsinc LLC**, New York, NY (US)

(**) Term: **14 Years**

(21) Appl. No.: **29/515,212**

(22) Filed: **Jan. 21, 2015**

Related U.S. Application Data

(60) Division of application No. 29/468,816, filed on Oct. 3, 2013, now Pat. No. Des. 730,740, and a continuation-in-part of application No. 29/410,962, filed on Jan. 13, 2012, now Pat. No. Des. 692,320, and a continuation-in-part of application No. 13/350,269, filed on Jan. 13, 2012, now Pat. No. 8,827,582.

(51) **LOC (10) Cl.** **09-01**

(52) **U.S. Cl.**
USPC **D9/624**

(58) **Field of Classification Search**

USPC D3/202, 203.1; D6/512, 515; D9/516, D9/529, 549, 550, 556, 558, 571, 723-725, D9/727; D24/100, 108, 115; D28/4, 7, 9, D28/73, 76, 85; 206/385; 222/1, 71, 173
CPC .. B65D 47/18; B65D 81/365; B65D 2251/06; B65D 2583/0463

See application file for complete search history.

(56) **References Cited**

U.S. PATENT DOCUMENTS

D151,401 S * 10/1948 Pomatti D11/44
2,784,721 A * 3/1957 Davis A45D 40/26
132/320

D269,462 S * 6/1983 Qually D21/661
D320,288 S * 9/1991 Chen D28/87
D358,239 S * 5/1995 Abram D34/1
D422,395 S * 4/2000 Robles 426/104
D451,745 S * 12/2001 Scansetti D6/599
D519,399 S * 4/2006 Bulgari D11/100
7,841,793 B2 * 11/2010 Ramet A45D 34/04
132/320
D651,552 S * 1/2012 Soukup D12/400

OTHER PUBLICATIONS

Nars Fling Lip Set, announced Nov. 2013, [online], site visited Mar. 14, 2016. Available from Internet, <URL: <http://www.ifmakeupcouldtalk.com>>.*

* cited by examiner

Primary Examiner — Derrick Holland

Assistant Examiner — Janice Lim

(74) *Attorney, Agent, or Firm* — Andrew S. Langsam; Pryor Cashman LLP

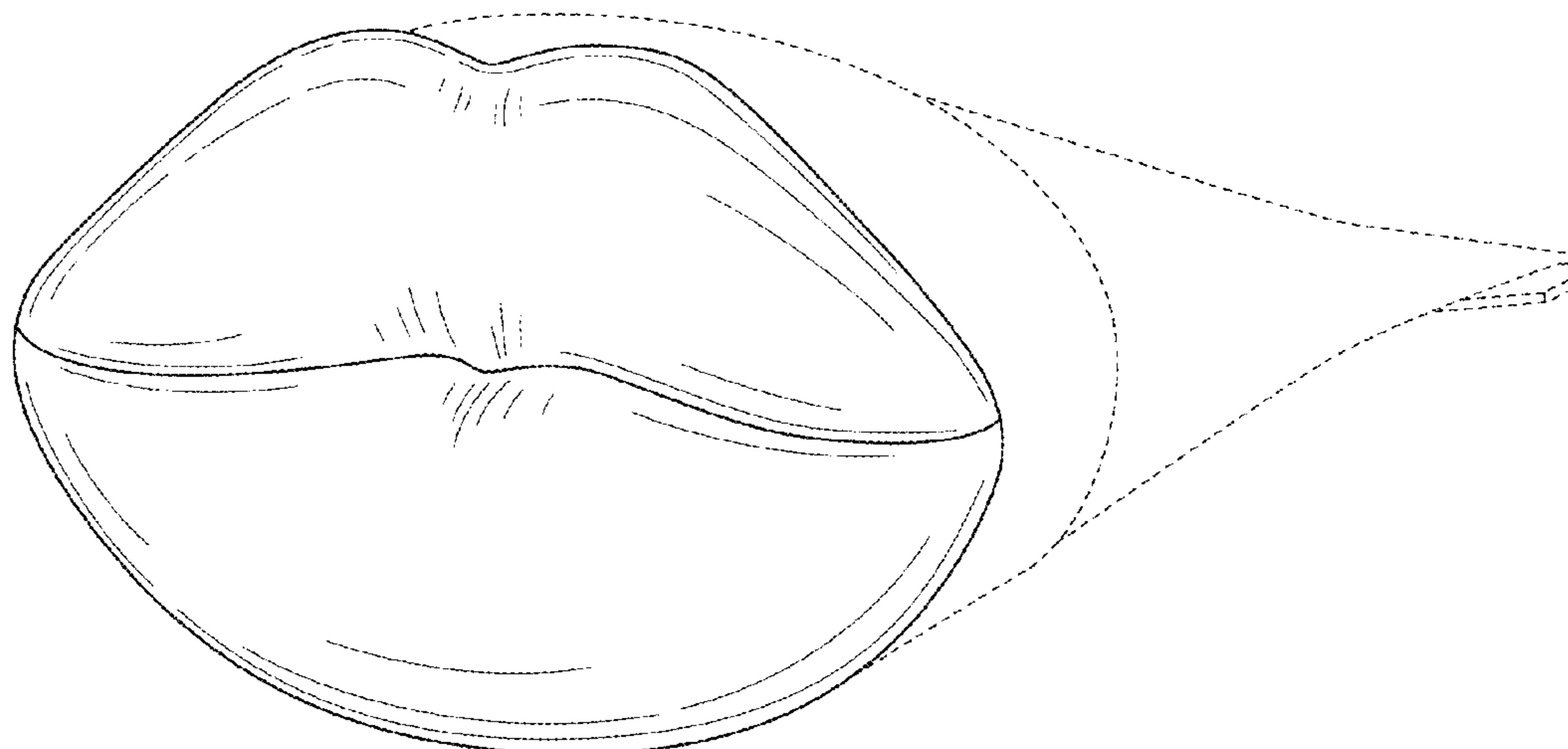
(57) **CLAIM**

The ornamental design for a lip gloss and other cosmetic applicator, as shown and described.

DESCRIPTION

FIG. 1 is a top, front, and left side perspective view of a lip gloss and other cosmetic applicator, showing our new design; FIG. 2 is a rear elevational view thereof; FIG. 3 is a front elevational view thereof; FIG. 4 is a right side elevational view thereof; FIG. 5 is a left side elevational view thereof; FIG. 6 is top plan view thereof; and, FIG. 7 is a bottom plan view thereof. The broken line portions show unclaimed subject matter only and form no part of the claimed design.

1 Claim, 4 Drawing Sheets



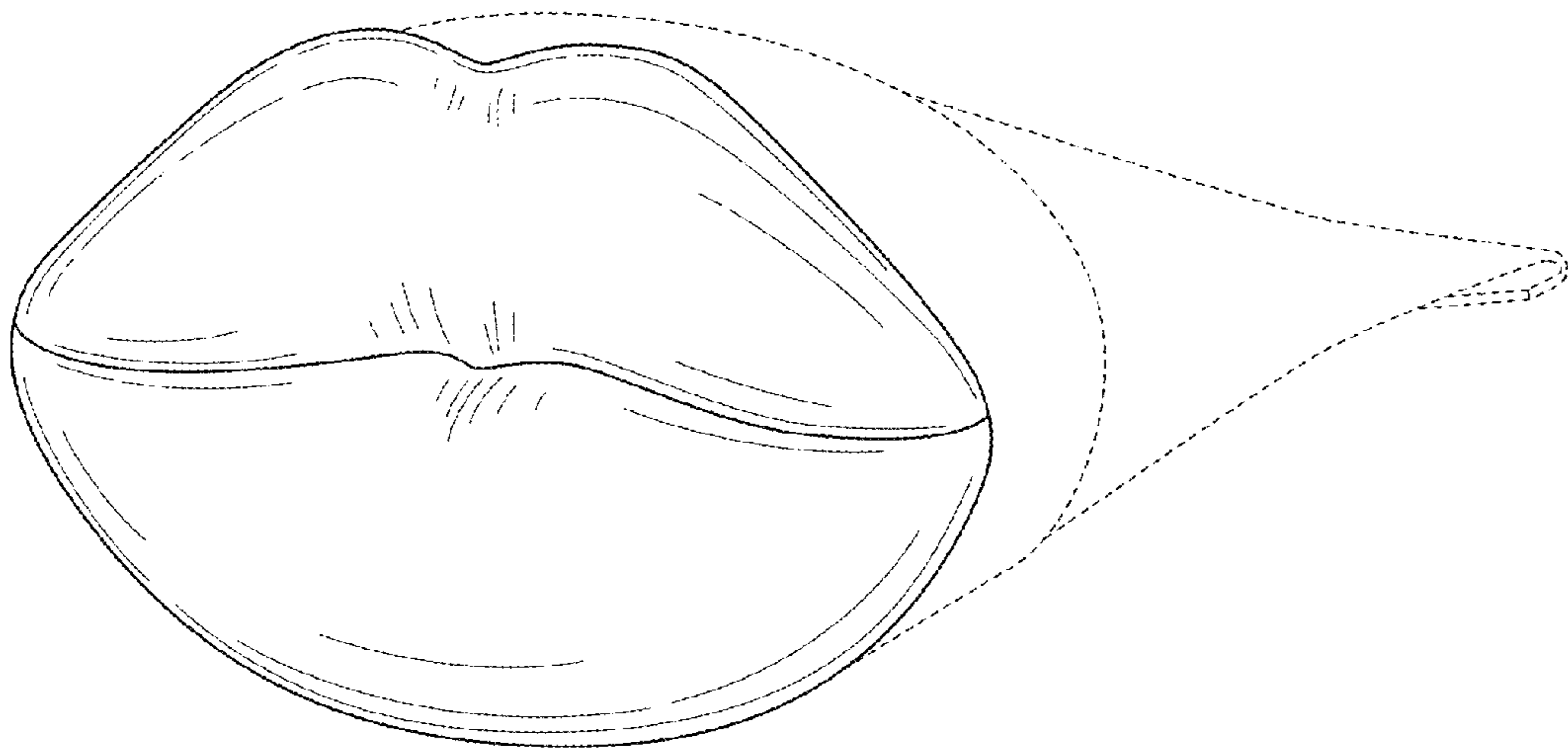


FIG. 1

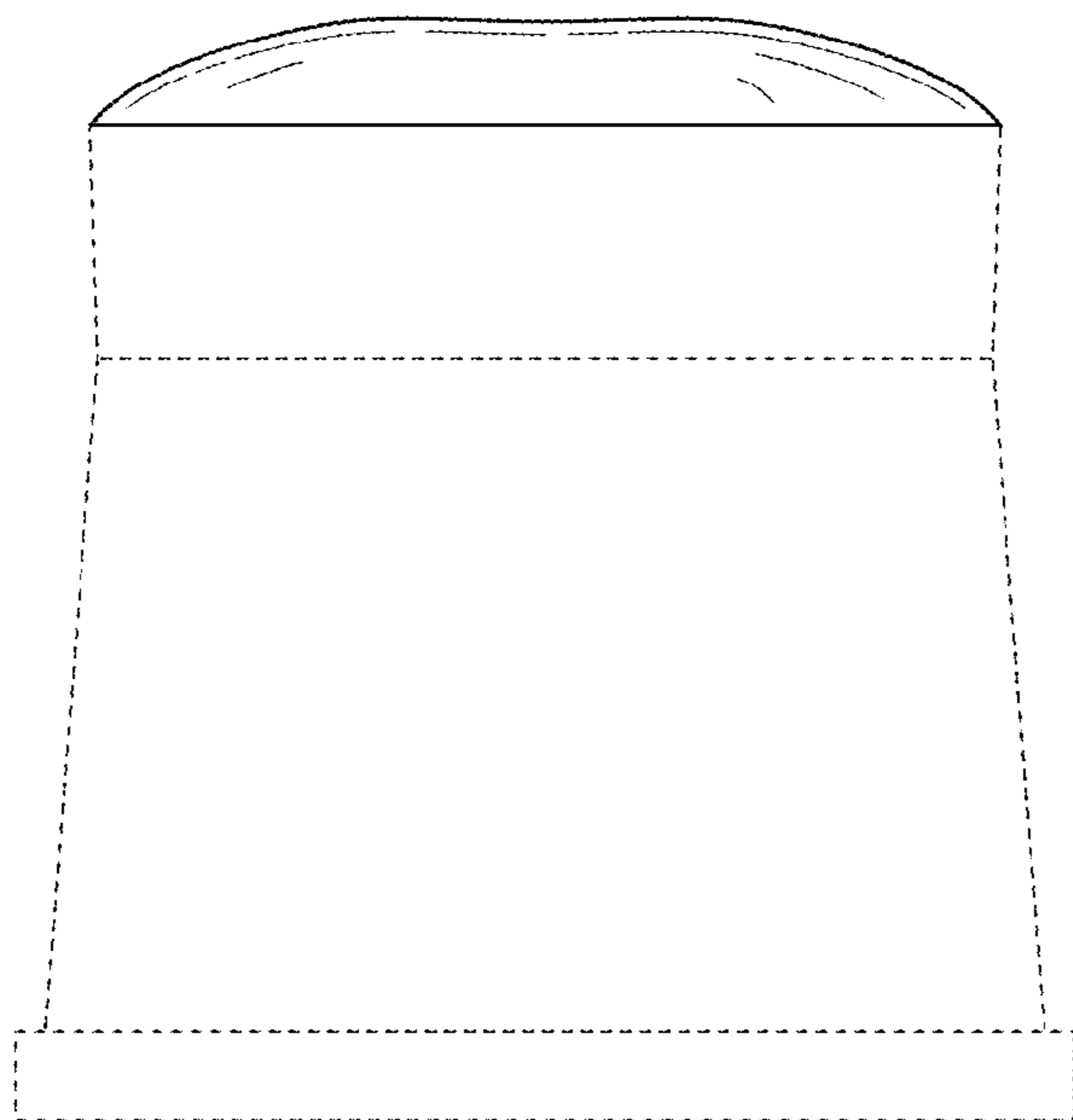


FIG. 2

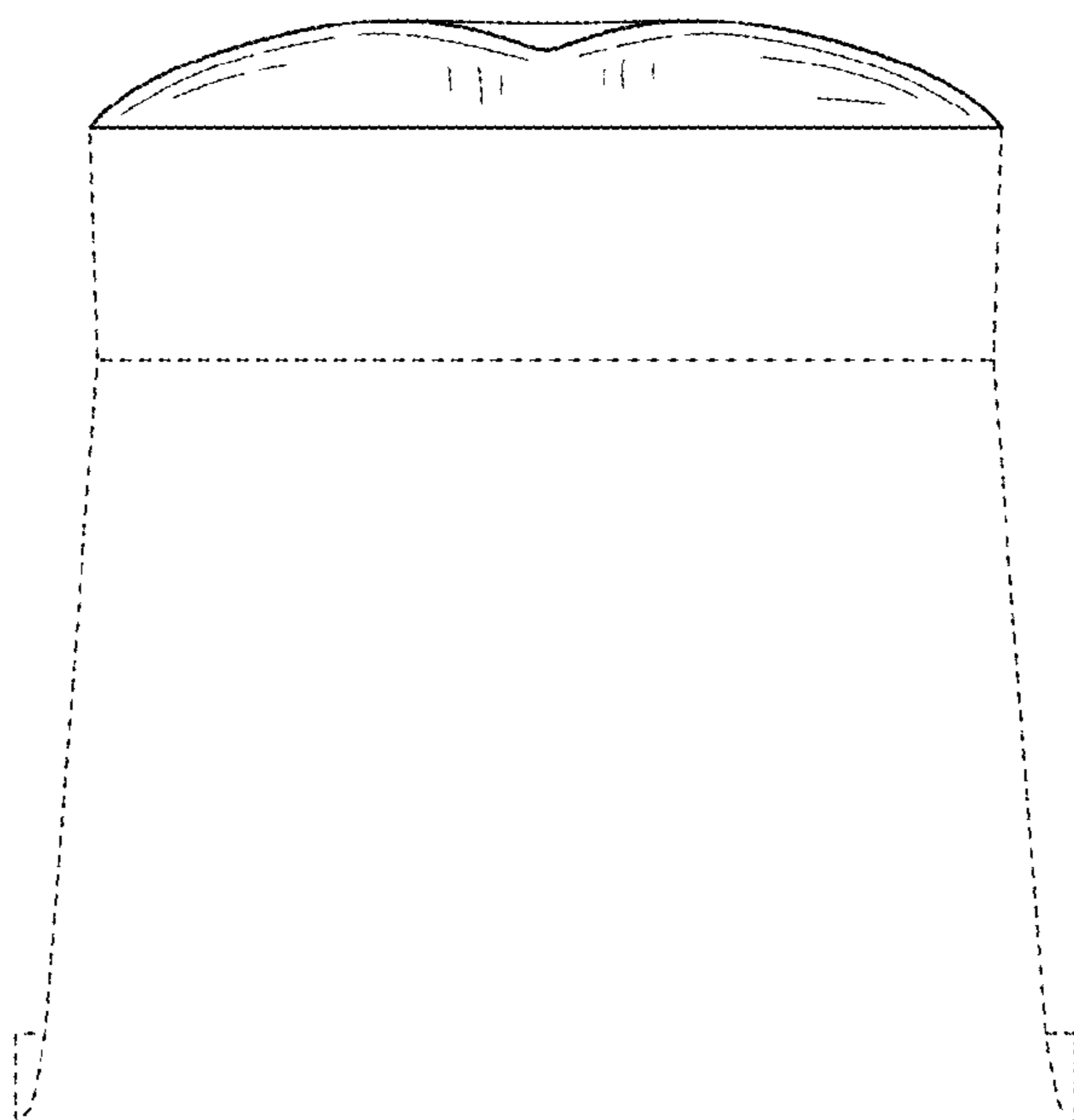


FIG. 3

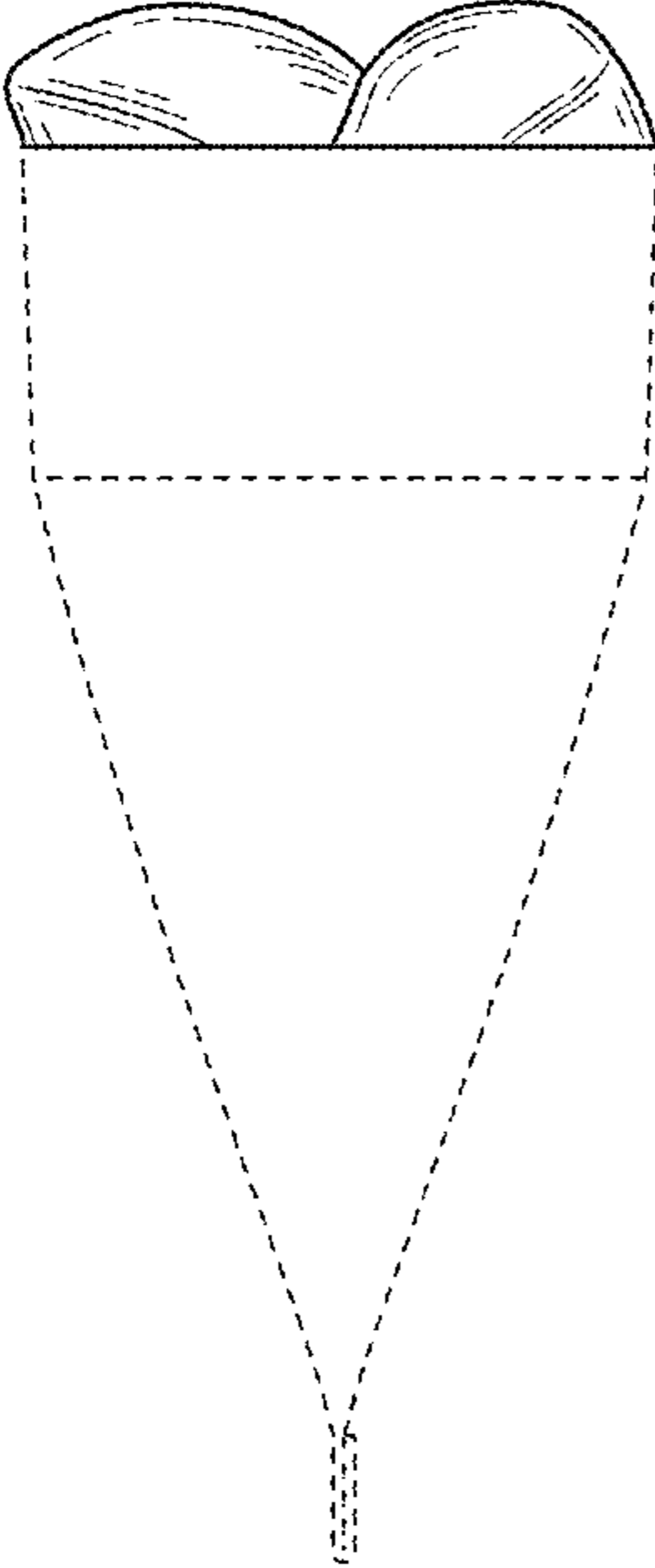


FIG. 4

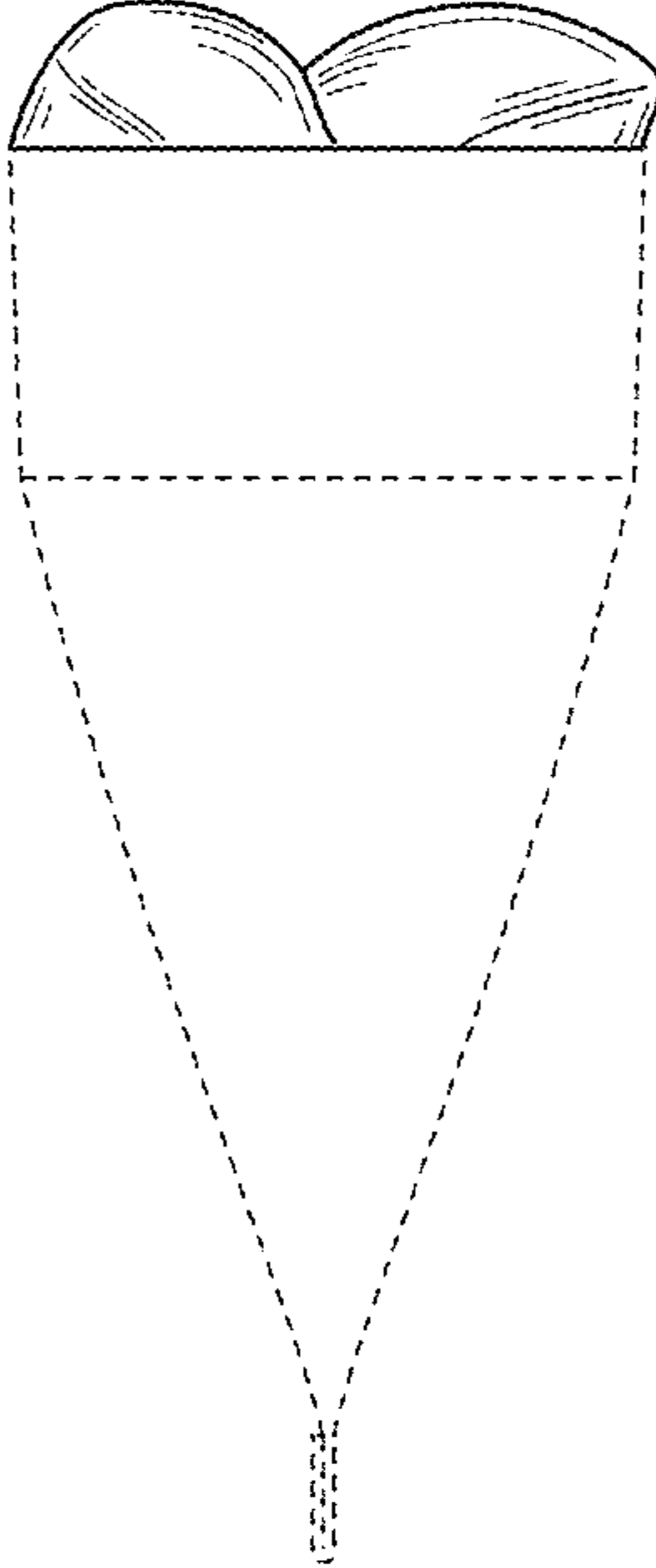


FIG. 5

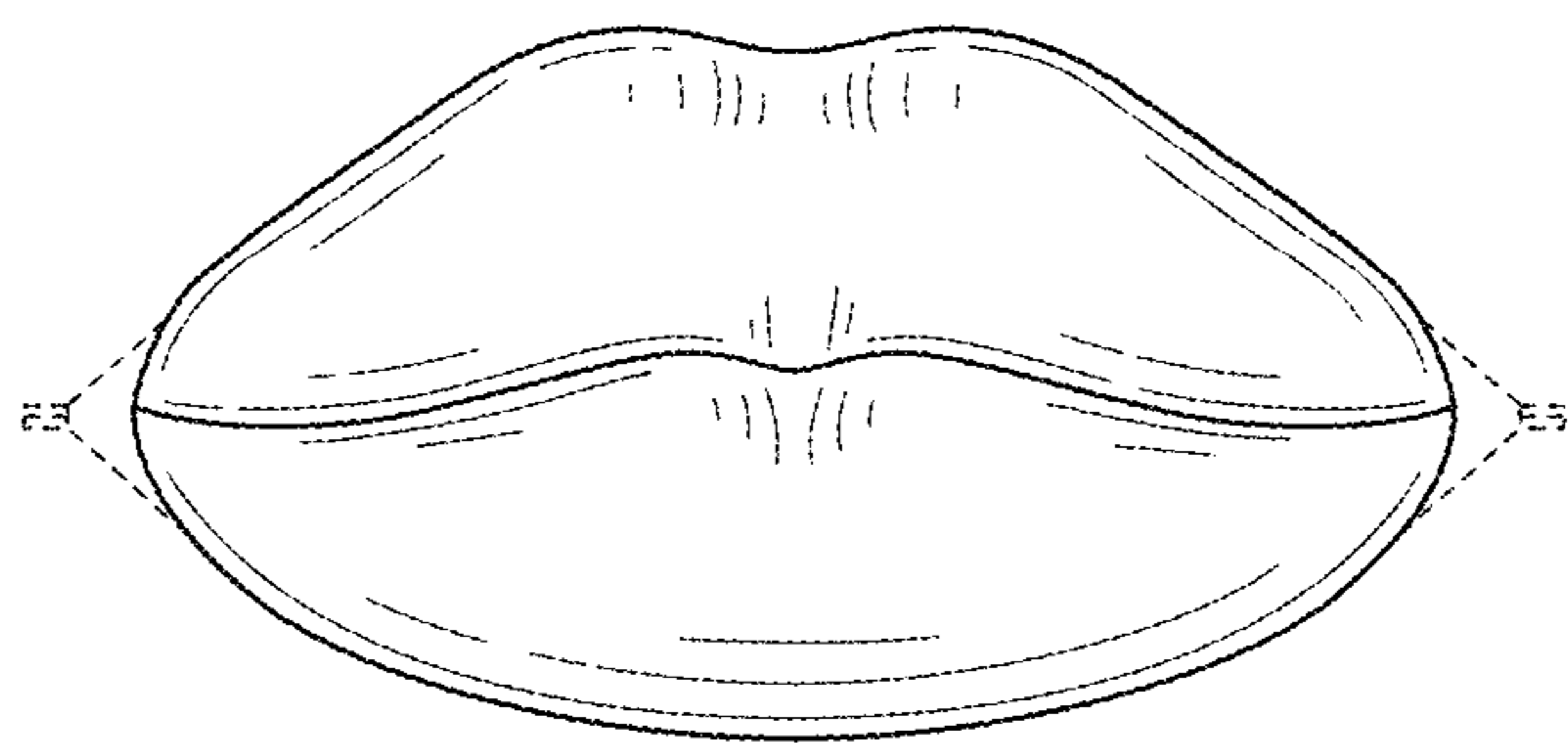


FIG. 6

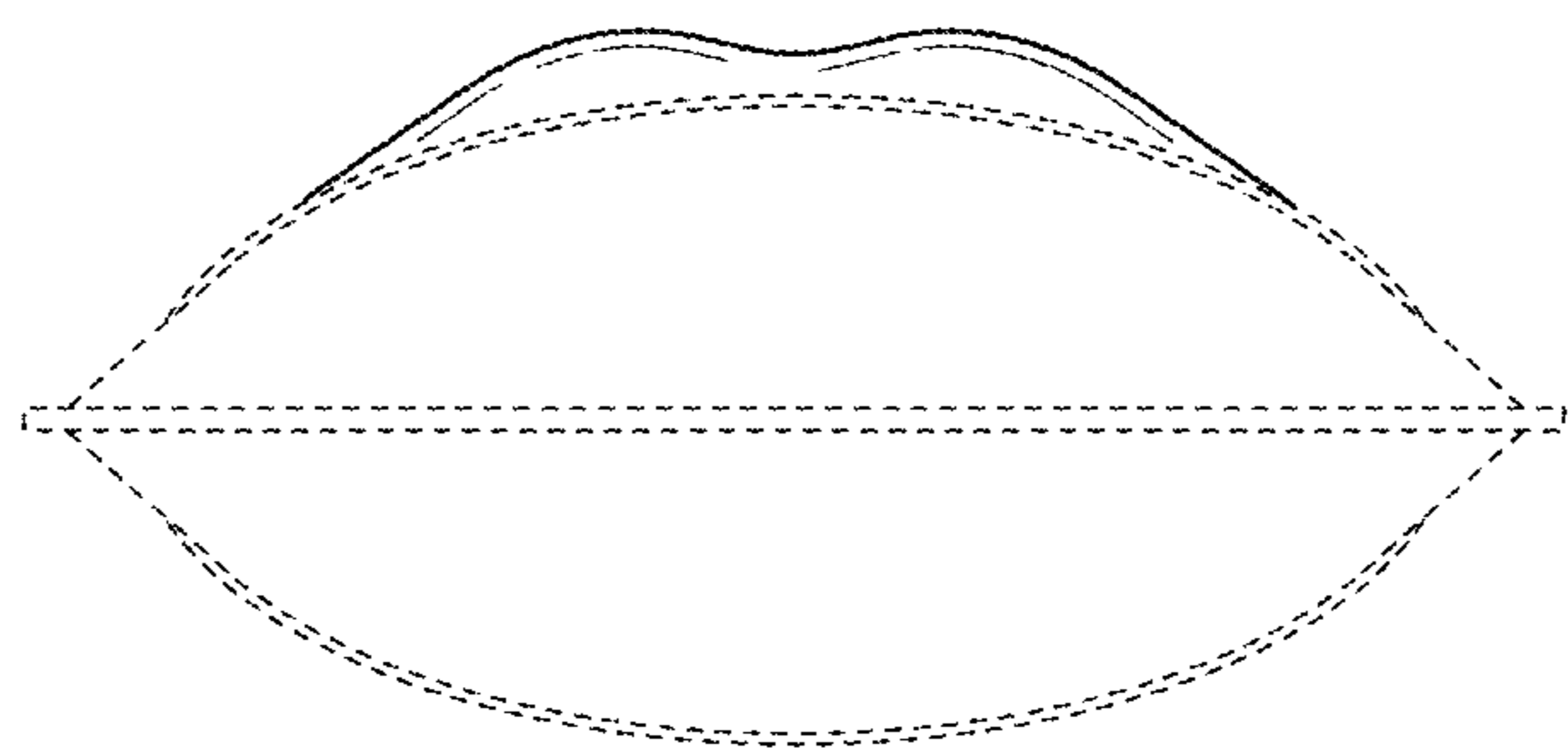


FIG. 7