

US00D761116S

(12) **United States Design Patent**  
**Berger et al.**

(10) **Patent No.:** **US D761,116 S**  
(45) **Date of Patent:** **\*\* Jul. 12, 2016**

(54) **LIQUID CONTAINER**  
(71) Applicant: **OMS Investments, Inc.**, Los Angeles, CA (US)  
(72) Inventors: **Ryan Robert Berger**, Columbus, OH (US); **Richard Foster**, Powell, OH (US); **Sara Ann Gordon**, Powell, OH (US); **George William Hill, III**, Powell, OH (US); **Timothy Michael Martin**, Westerville, OH (US); **Jay F. Perkins**, Pickerington, OH (US)

3,185,358 A 5/1965 Marler  
3,233,783 A 2/1966 Thornton  
D211,002 S \* 5/1968 Vanderhyde ..... D9/530  
3,401,840 A 9/1968 McConnell  
3,655,099 A 4/1972 Hazard  
D244,991 S 7/1977 Weckman  
D250,393 S 11/1978 Shortino

(Continued)

**FOREIGN PATENT DOCUMENTS**

DE 3 121 591 3/1982  
DE 89 04 057 9/1989

(Continued)

(73) Assignee: **OMS Investments, Inc.**, Los Angeles, CA (US)

**OTHER PUBLICATIONS**

(\*\*) Term: **14 Years**

International Search Report and Written Opinion for International Application No. PCT/US06/26119, mailed Jan. 5, 2007.

(Continued)

(21) Appl. No.: **29/449,014**

(22) Filed: **Mar. 14, 2013**

*Primary Examiner* — Dana L Meyrow

(51) **LOC (10) Cl.** ..... **09-01**

(74) *Attorney, Agent, or Firm* — Hunton & Williams LLP

(52) **U.S. Cl.**

USPC ..... **D9/575**; D9/563; D9/564; D9/569

(58) **Field of Classification Search**

USPC ..... D9/516, 520, 523, 528, 530, 540–543, D9/549–550, 563–564, 569, 570–571, 575, D9/682, 685, 715, 719; D23/211.1, 211.2, D23/225; 215/379, 381–384; 220/660, 669, 220/675

CPC ..... B65D 1/00; B65D 1/02; B65D 1/0223; B65D 23/00; B65D 81/00; B65D 83/00; B65D 91/00; B65D 91/02; B65D 2501/00; B65D 2501/0009; B65D 2501/0081

See application file for complete search history.

(57)

**CLAIM**

The ornamental design for a liquid container, as shown and described.

**DESCRIPTION**

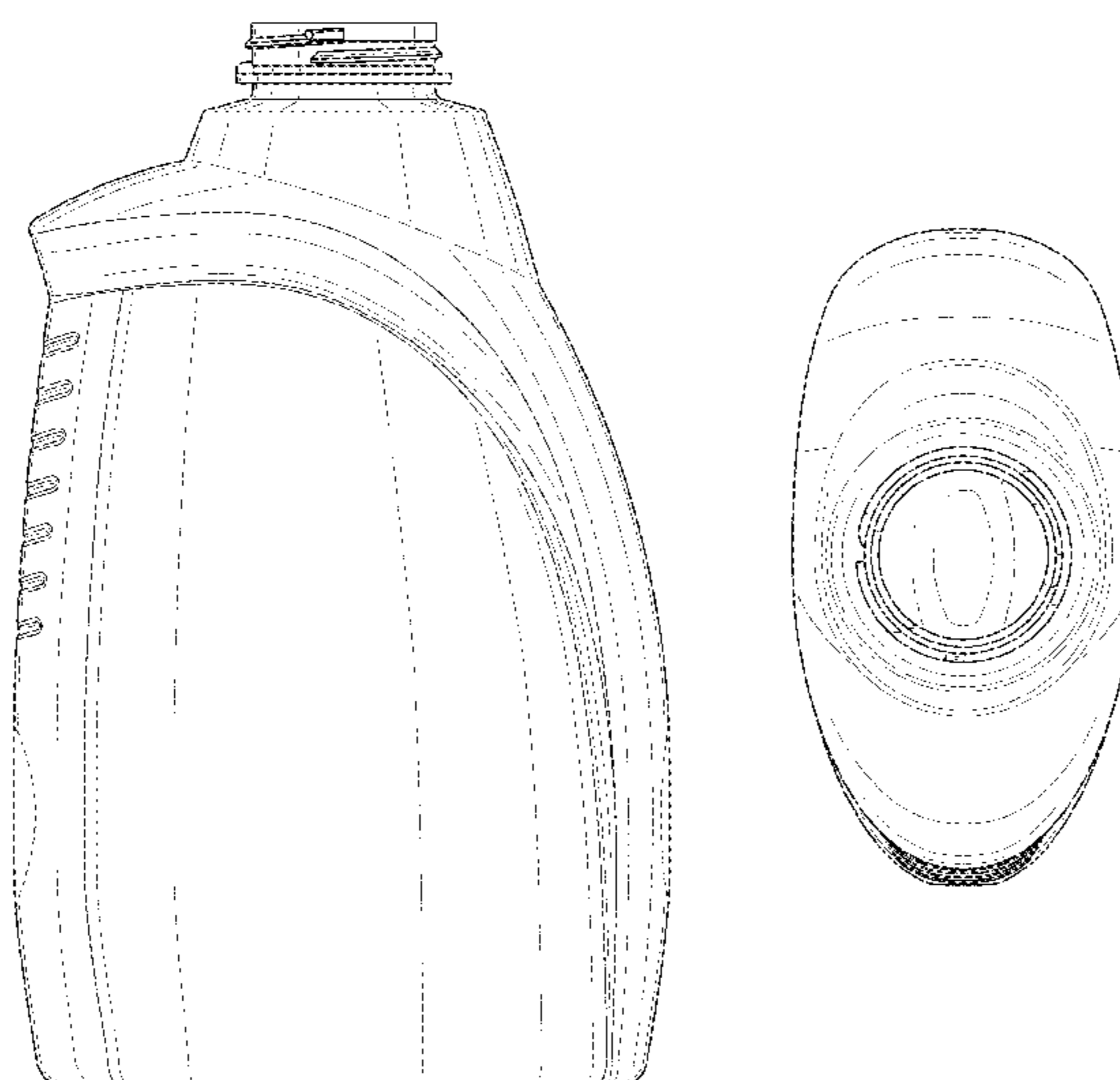
FIG. 1 is a front perspective view of a liquid container.  
FIG. 2 is a front elevation view thereof.  
FIG. 3 is a rear elevation view thereof.  
FIG. 4 is a side elevation view thereof.  
FIG. 5 is an opposite side elevation view thereof.  
FIG. 6 is a top plan view thereof.  
FIG. 7 is a bottom plan view thereof.  
FIG. 8 is a second front perspective view thereof; and,  
FIG. 9 is a bottom perspective view thereof.  
The broken lines in the drawings illustrate the portions of the design that form no part of the claim.

(56) **References Cited**

**U.S. PATENT DOCUMENTS**

1,544,503 A 6/1925 Wayne  
2,673,664 A 3/1954 Boysen

**1 Claim, 9 Drawing Sheets**



(56)

References Cited

U.S. PATENT DOCUMENTS

D256,431 S \* 8/1980 Campbell et al. .... D9/523  
 D259,331 S 5/1981 Saenz  
 D287,227 S 12/1986 Turnbull  
 4,664,301 A 5/1987 Hoyt  
 4,811,870 A 3/1989 Bianco  
 D328,422 S 8/1992 Fuchs  
 5,203,468 A 4/1993 Hsu  
 5,203,486 A 4/1993 Bihler et al.  
 5,205,424 A 4/1993 Gaspar  
 D342,451 S 12/1993 Warner  
 5,277,343 A 1/1994 Parsonage  
 D347,790 S \* 6/1994 Lathrop et al. .... D9/523  
 D388,330 S \* 12/1997 Zimmer ..... D9/543  
 5,890,628 A 4/1999 Simpson et al.  
 D415,687 S 10/1999 Lai  
 5,996,858 A 12/1999 Tapp  
 D419,455 S \* 1/2000 Macauley et al. .... D9/575  
 D430,801 S 9/2000 Harrity  
 6,279,773 B1 8/2001 Kiyota  
 D452,446 S \* 12/2001 Shear ..... D9/549  
 D462,011 S \* 8/2002 Walther et al. .... D9/528  
 D466,815 S 12/2002 Sweeton  
 D470,416 S 2/2003 Blair  
 D470,418 S \* 2/2003 Zaksenberg et al. .... D9/543  
 D470,775 S \* 2/2003 Zaksenberg et al. .... D9/543  
 D480,005 S 9/2003 Conway  
 D481,637 S 11/2003 Desouza  
 D482,285 S 11/2003 Desouza  
 D485,187 S 1/2004 Stinedurf  
 D487,873 S 3/2004 Desouza  
 D508,206 S \* 8/2005 Meeker et al. .... D9/528  
 D508,407 S \* 8/2005 Busch et al. .... D9/522  
 D510,869 S 10/2005 Gross  
 D555,481 S 11/2007 Tseng  
 D557,608 S 12/2007 Feen  
 D568,748 S \* 5/2008 Harrison et al. .... D9/516  
 D572,138 S 7/2008 Prater  
 D576,885 S 9/2008 Briozzo Fernandez  
 D587,585 S 3/2009 Snyder  
 D589,349 S 3/2009 Prater  
 D593,863 S 6/2009 Fahy  
 D594,338 S \* 6/2009 Harrison et al. .... D9/523

D600,564 S 9/2009 da Barp  
 D601,907 S 10/2009 Gainey  
 D604,618 S 11/2009 King  
 D605,520 S 12/2009 Billig  
 D606,411 S 12/2009 Mongeon  
 D617,206 S 6/2010 Shaw  
 D618,554 S 6/2010 Bruscha  
 D619,465 S 7/2010 Synder  
 D628,493 S 12/2010 Fontaine  
 D633,807 S 3/2011 Fahy  
 D646,572 S 10/2011 Koeleman  
 D660,710 S 5/2012 Kallenbach  
 D661,593 S 6/2012 Heidel  
 D662,420 S 6/2012 Frisch  
 D663,626 S 7/2012 Berger  
 D683,224 S \* 5/2013 Leslie et al. .... D9/528  
 D684,061 S \* 6/2013 Leslie et al. .... D9/528  
 D685,642 S \* 7/2013 Leslie et al. .... D9/528  
 D691,053 S \* 10/2013 Garcia ..... D9/543  
 D696,128 S \* 12/2013 Lindsay et al. .... D9/528  
 D714,648 S \* 10/2014 Kersten ..... D9/529  
 2005/0184027 A1 8/2005 Floyd

FOREIGN PATENT DOCUMENTS

EP	0 395 380	10/1990
EP	0 591 601	4/1994
FR	966 601	10/1950
FR	2 513 598	4/1983
FR	2 574 760	6/1986
FR	2 708 569	2/1995
GB	677 401	8/1952
GB	798 158	7/1957
GB	1 305 055	1/1973
GB	1 602 199	11/1981
GB	2 286 109	9/1995

OTHER PUBLICATIONS

Supplemental European Search Report and Written Opinion for European Application No. 06 77 4502, mailed Jul. 23, 2009.  
 Preliminary French Search Report for French Application No. FR 19930009764 completed Apr. 7, 1994.

\* cited by examiner

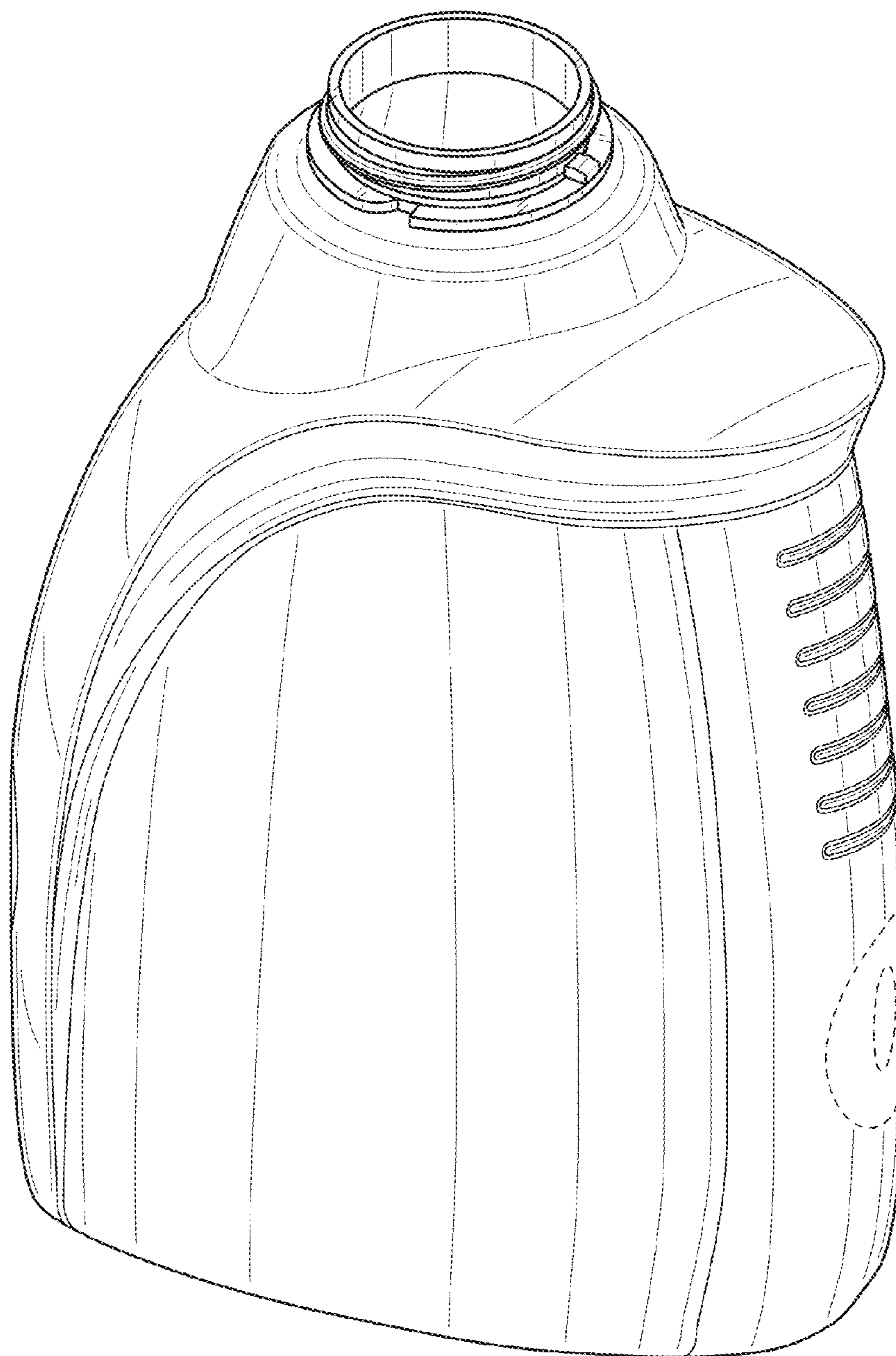


FIG. 1

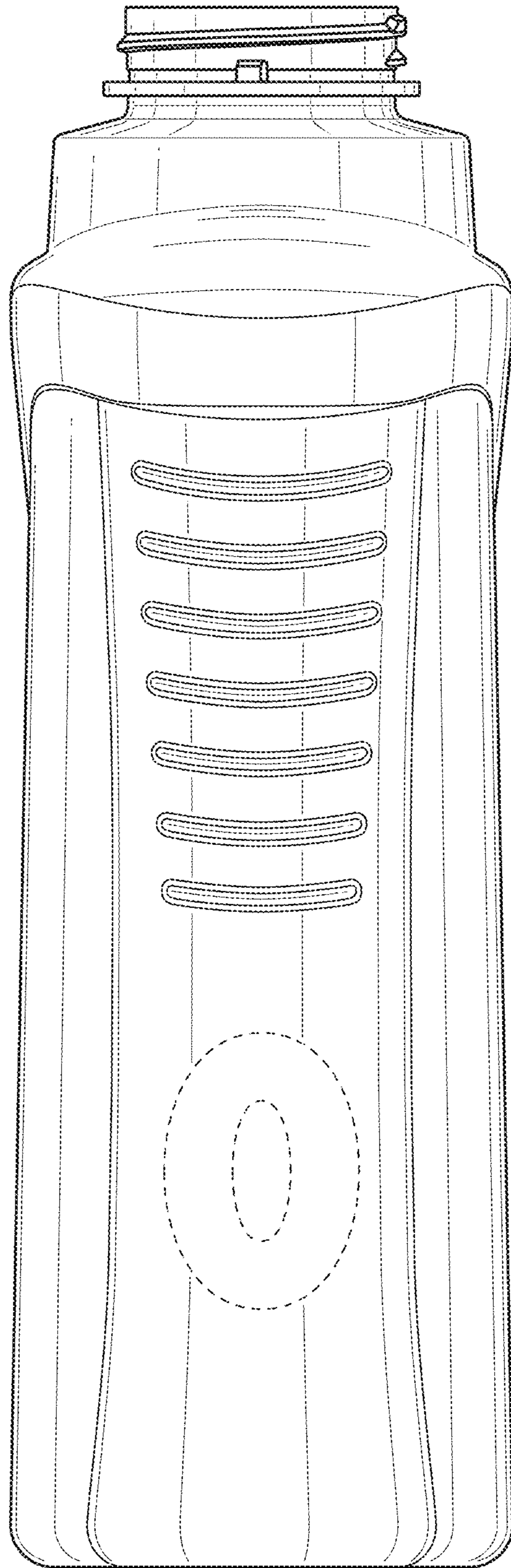


FIG. 2

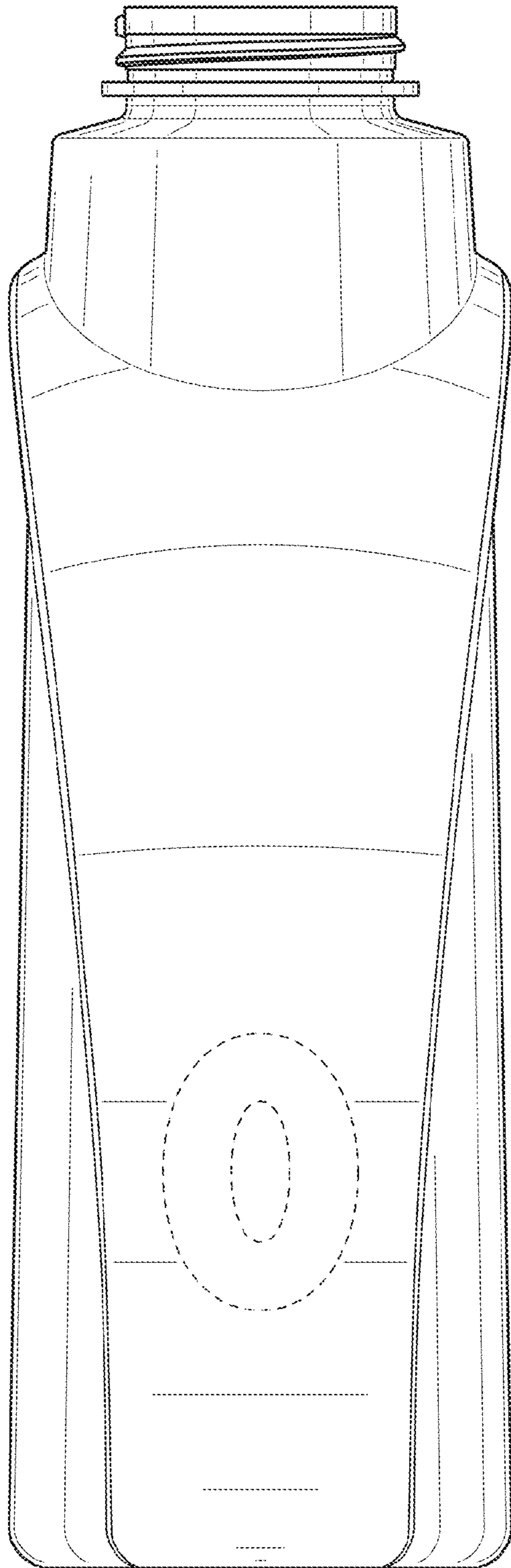


FIG. 3

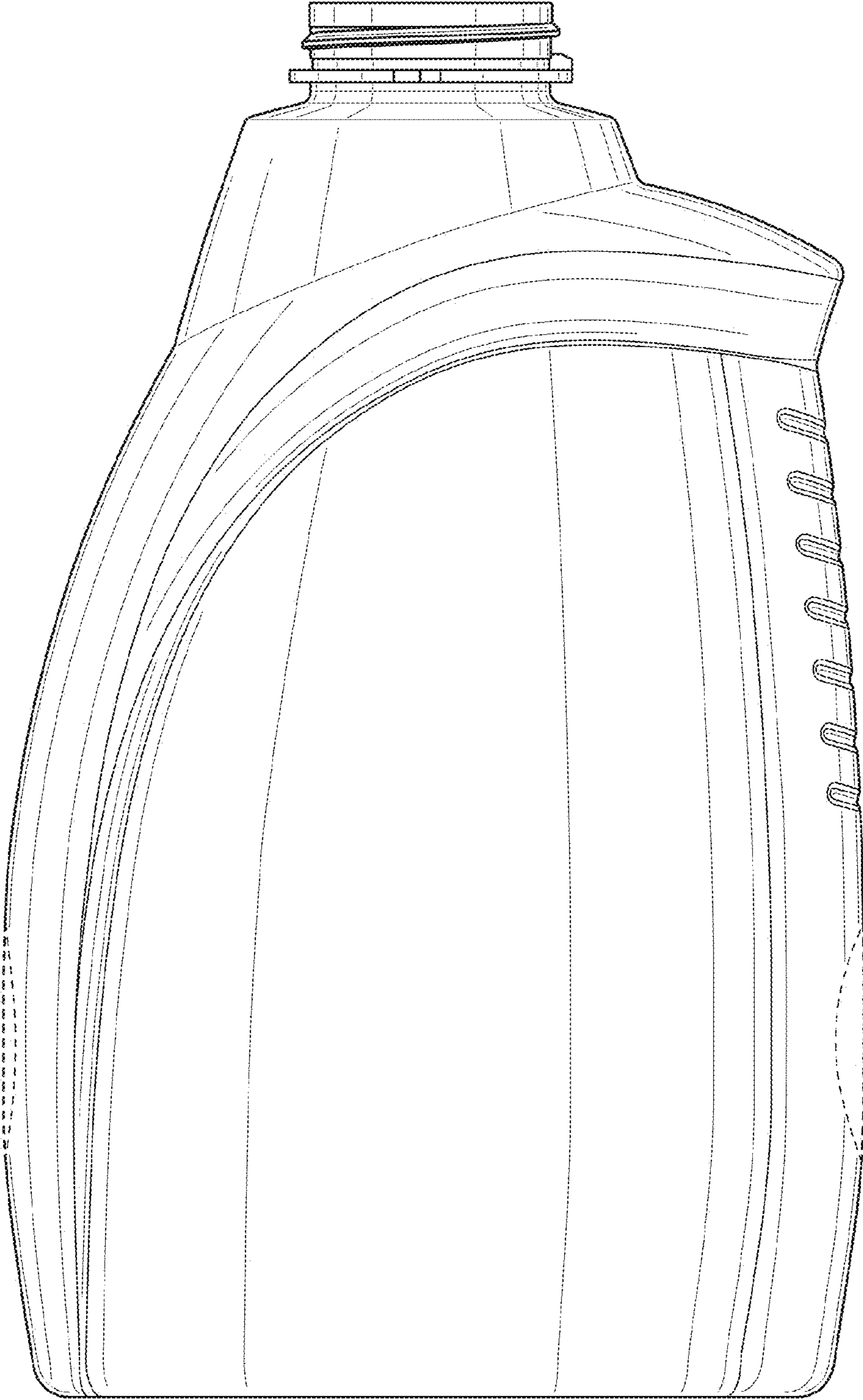


FIG. 4

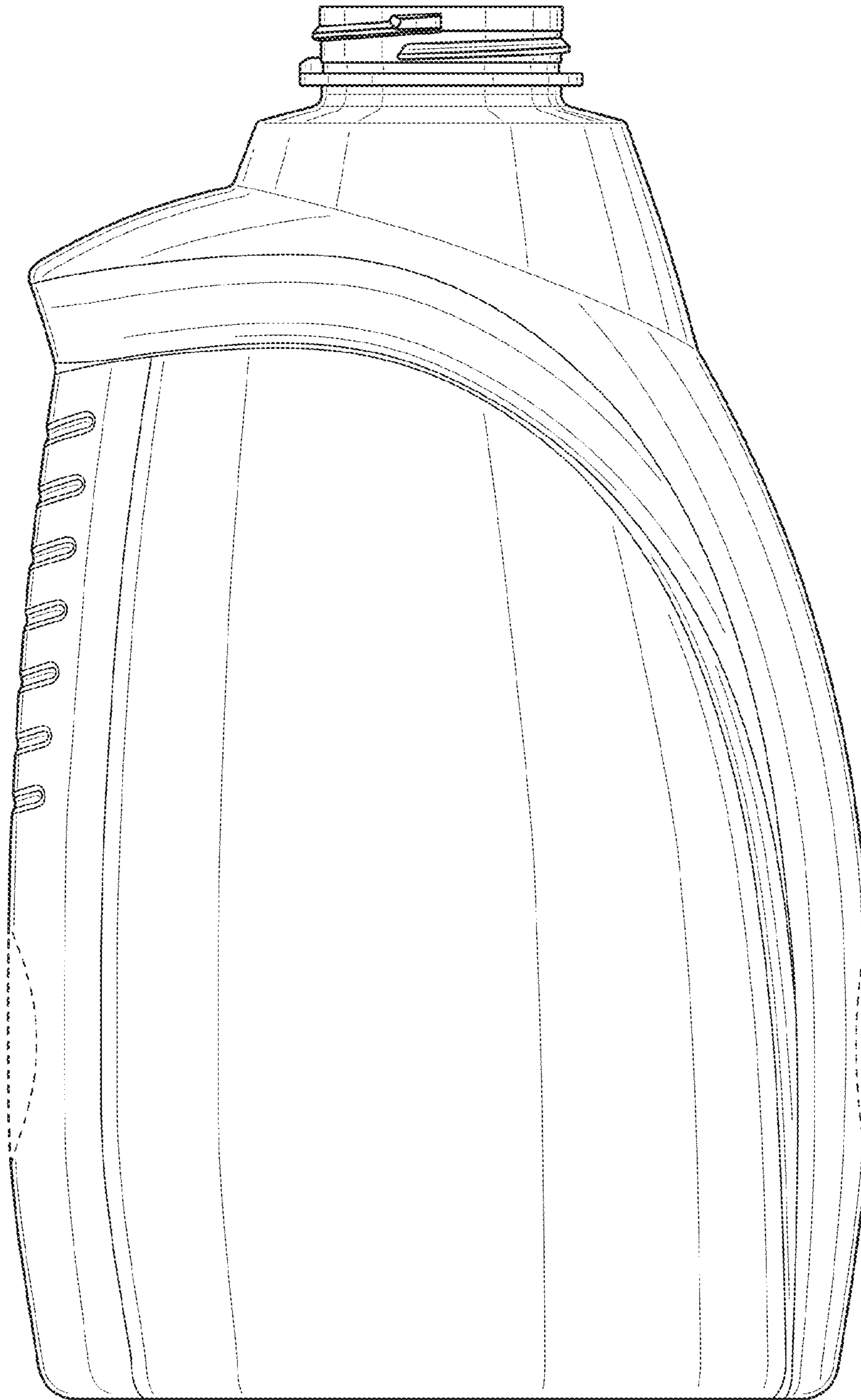


FIG. 5

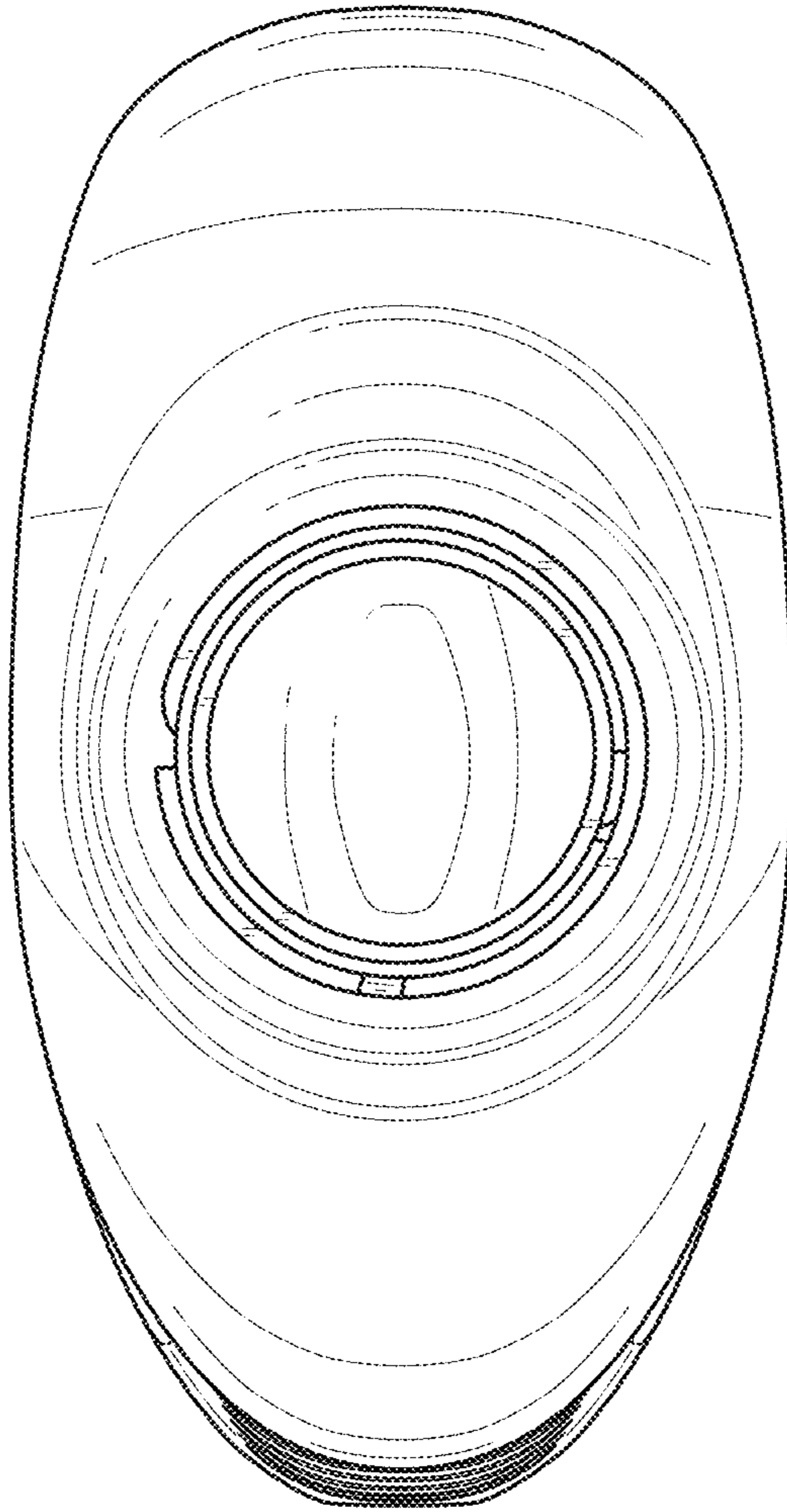


FIG. 6



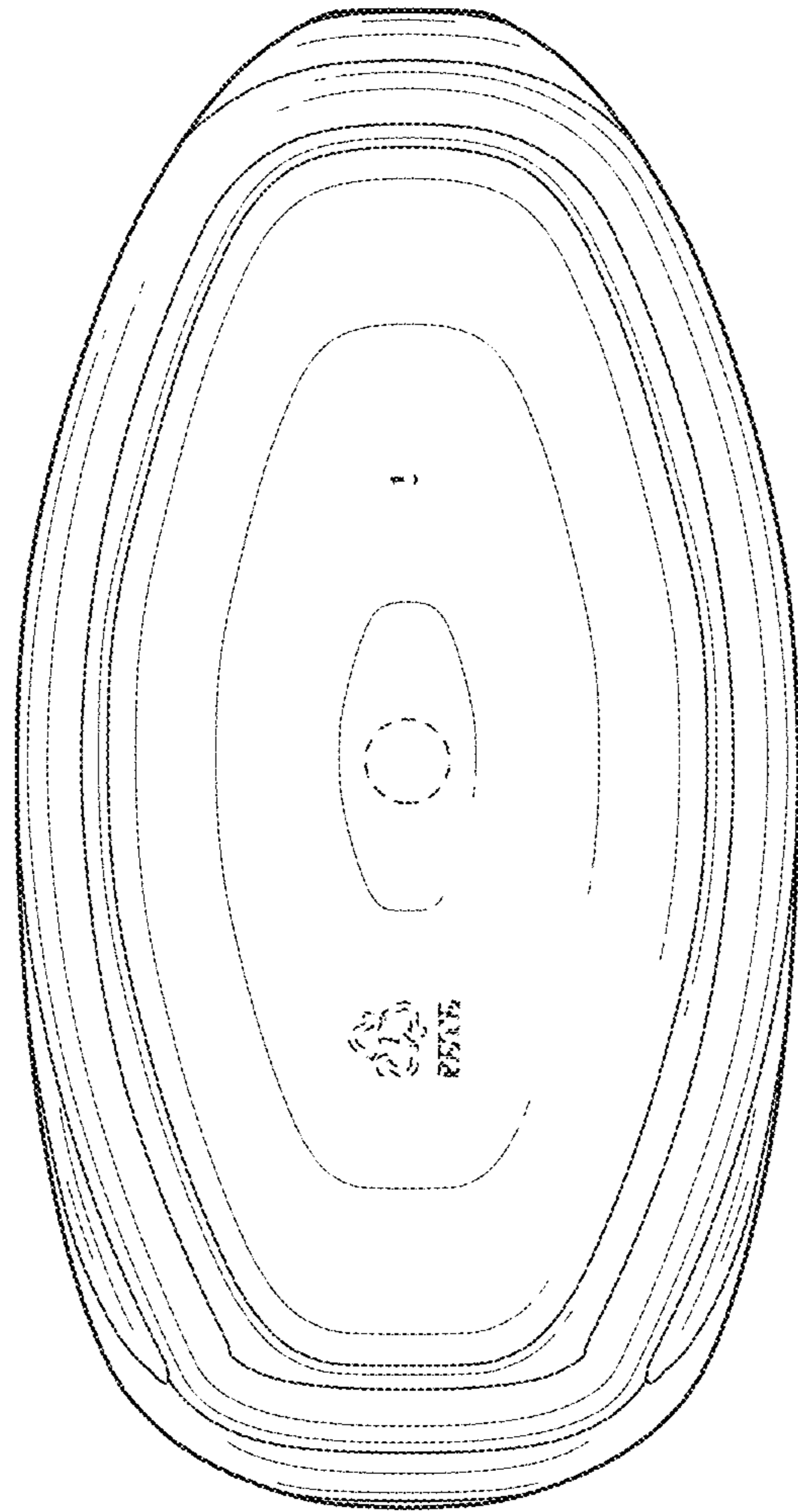


FIG. 7

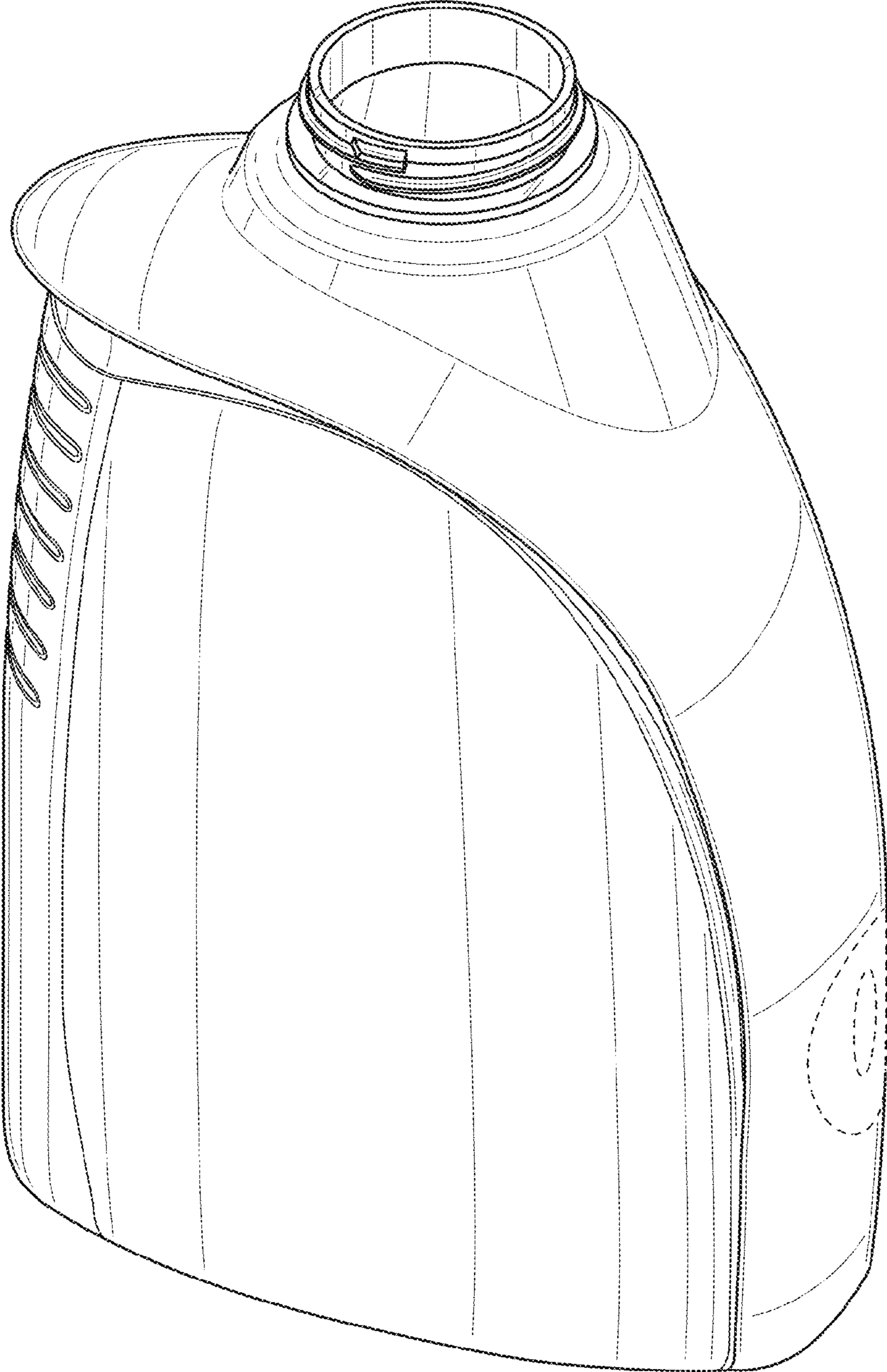


FIG. 8

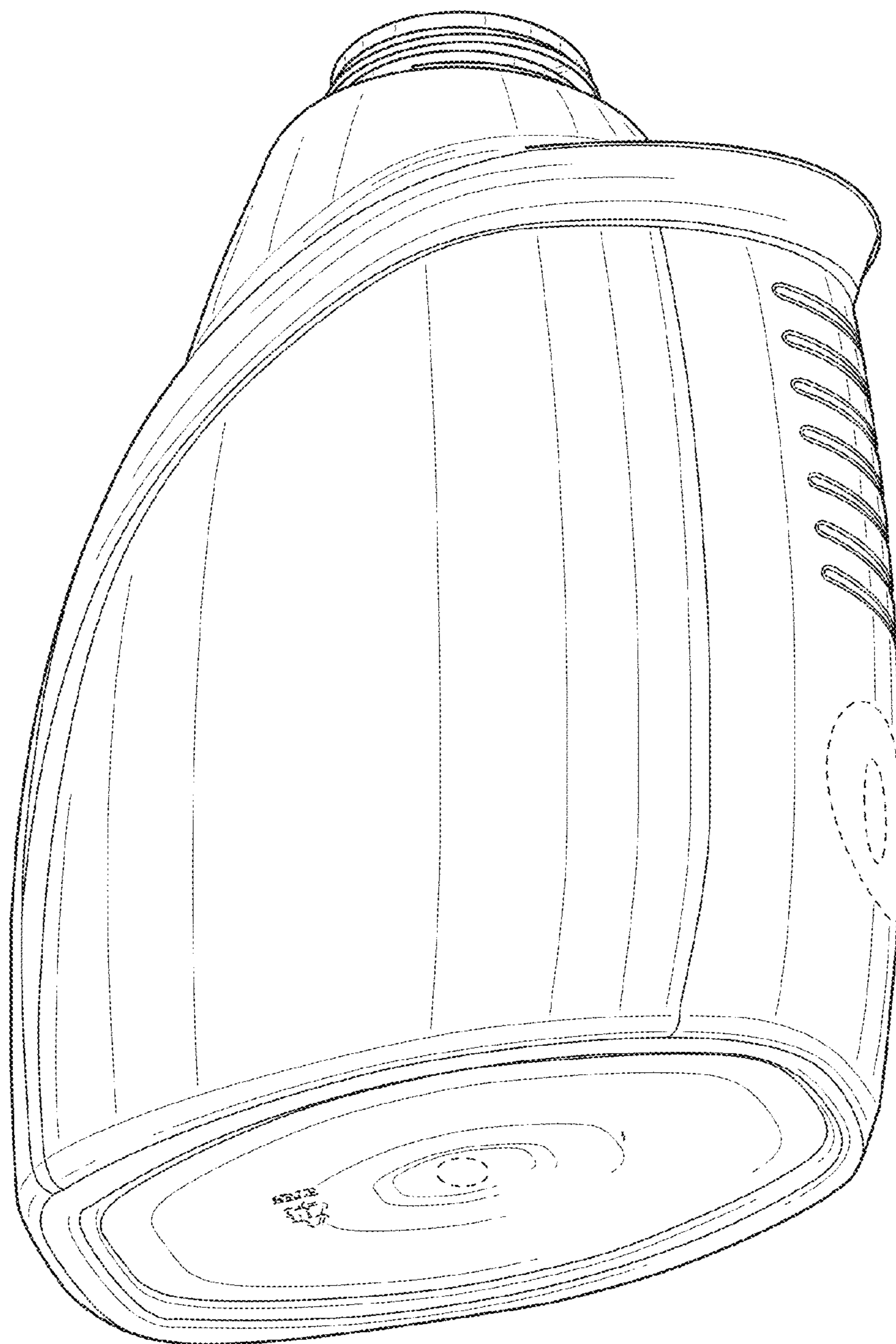


FIG. 9