



US00D761114S

(12) **United States Design Patent**
Ericson

(10) **Patent No.:** **US D761,114 S**
(45) **Date of Patent:** **** Jul. 12, 2016**

(54) **BOTTLE HAVING AN APPLICATOR**

(71) Applicant: **Nine West Development LLC**, New York, NY (US)

(72) Inventor: **Malin Ericson**, New York, NY (US)

(73) Assignee: **Nine West Development LLC**, New York, NY (US)

(**) Term: **14 Years**

(21) Appl. No.: **29/508,107**

(22) Filed: **Nov. 3, 2014**

Related U.S. Application Data

(62) Division of application No. 29/413,225, filed on Feb. 13, 2012, now Pat. No. Des. 716,655.

(51) **LOC (10) Cl.** **09-01**

(52) **U.S. Cl.**
USPC **D9/544**

(58) **Field of Classification Search**
USPC D9/417, 430, 432, 434, 435, 436, 439,
D9/451, 544, 566, 572, 631, 715, 719,
D9/723; D28/73, 76, 77, 79, 81, 83, 91.1;
215/43, 294, 365, 366, 391; 220/602,
220/662

See application file for complete search history.

(56) **References Cited**

U.S. PATENT DOCUMENTS

D141,944 S *	7/1945	Wolf	D9/436
D182,235 S *	3/1958	Jaffe	D9/454
D339,285 S *	9/1993	Burke	D9/435
D421,906 S *	3/2000	Jauffret	D9/435
D425,792 S	5/2000	Haller		
D480,299 S *	10/2003	Sgariboldi	D9/694
D484,789 S *	1/2004	Sgariboldi	D9/694

D484,790 S *	1/2004	Sgariboldi	D9/694
D484,791 S *	1/2004	Sgariboldi	D9/694
D484,792 S *	1/2004	Sgariboldi	D9/694

(Continued)

OTHER PUBLICATIONS

<http://www.cafleurebon.com/in-her-shoes-new-fragrance-nine-west-love-fury/> Posted Oct. 21, 2011.*

(Continued)

Primary Examiner — Susan Bennett Hattan

Assistant Examiner — Leanne Was

(74) *Attorney, Agent, or Firm* — Senniger Powers LLP

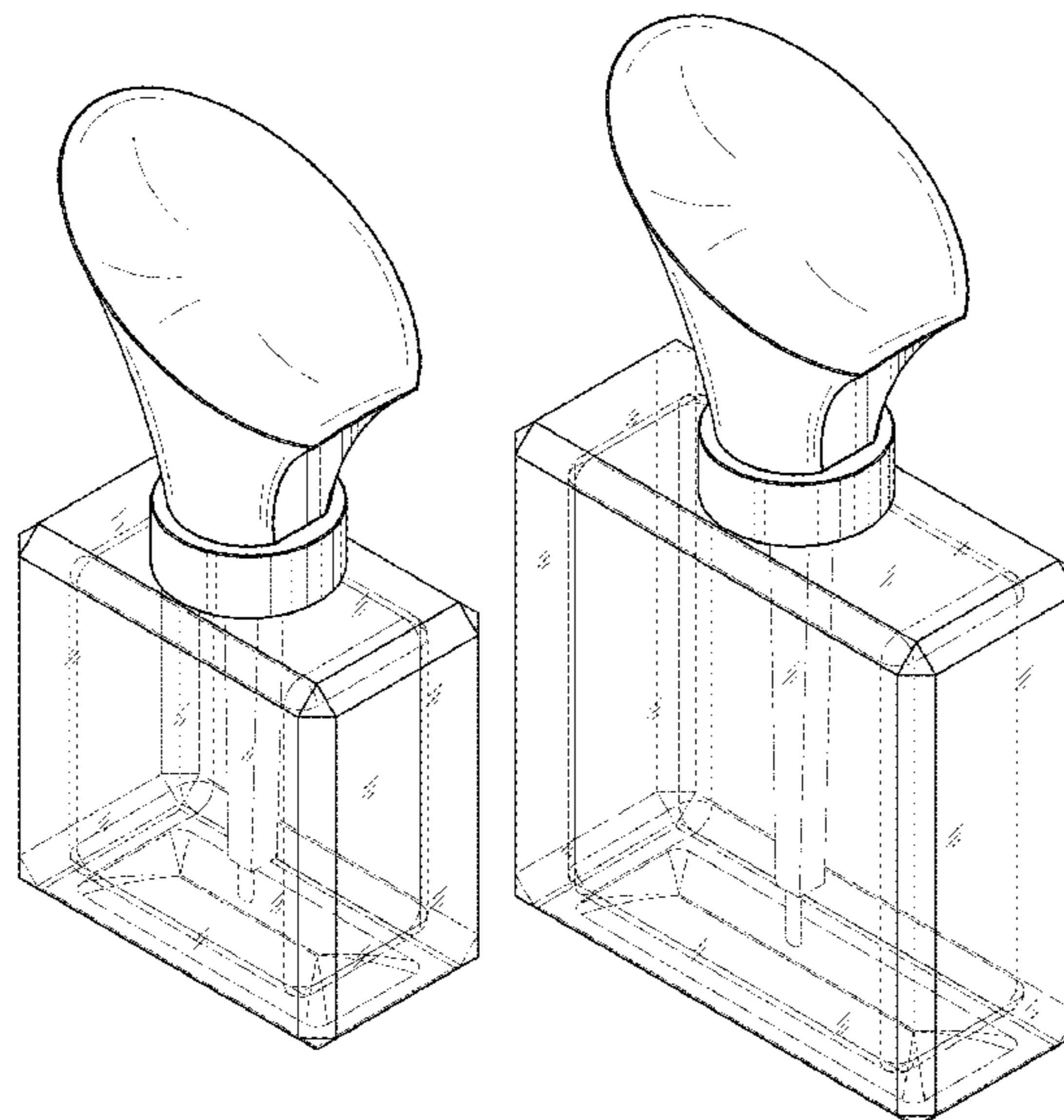
(57) **CLAIM**

The ornamental design for a bottle having an applicator, as shown and described.

DESCRIPTION

FIG. 1 is a perspective of a bottle having an applicator of a first embodiment of the present invention;
FIG. 2 is a front elevation of said first embodiment;
FIG. 3 is a right side elevation of said first embodiment;
FIG. 4 is a left side elevation of said first embodiment;
FIG. 5 is a rear elevation of said first embodiment;
FIG. 6 is a top plan of said first embodiment;
FIG. 7 is a bottom plan of said first embodiment;
FIG. 8 is a perspective of perspective of bottle having an applicator of a second embodiment of the present invention;
FIG. 9 is a front elevation of said second embodiment;
FIG. 10 is a right side elevation of said second embodiment;
FIG. 11 is a left side elevation of said second embodiment;
FIG. 12 is a rear elevation of said second embodiment;
FIG. 13 is a top plan of said second embodiment; and,
FIG. 14 is a bottom plan of said second embodiment.

1 Claim, 12 Drawing Sheets



(56)

References Cited

U.S. PATENT DOCUMENTS

D542,670	S *	5/2007	Herrmann	D9/544
7,252,211	B2	8/2007	Bougamont	
D562,689	S *	2/2008	Antretter	D9/439
D574,257	S *	8/2008	Zeidan	D9/694
D604,629	S *	11/2009	Aebi	D9/454
7,695,209	B2	4/2010	Perignon	
D619,470	S *	7/2010	Zeidan	D9/441
D656,830	S *	4/2012	Rodrigeuz	D9/520
D705,663	S *	5/2014	Guichot	D9/544
D716,655	S *	11/2014	Ericson	D9/436

OTHER PUBLICATIONS

<http://www.popsugar.com/beauty/Nine-West-Launch-Love-Fury-High-Heel-Perfume-20099293> Posted Oct. 21, 2011.*
http://www.becomegorgeous.com/body-and-skin/perfumes/nine_west_to_launch_first_fragrance_love_fury-5734.html Posted Oct. 21, 2011.*
<http://www.agirlsgottaspa.com/category/perfume/page/3/> Posted Jan. 25, 2012.*
<http://allysoninwonderland.com/2012/02/love-fury/> Posted Feb. 2, 2012.*

* cited by examiner

FIG. 1

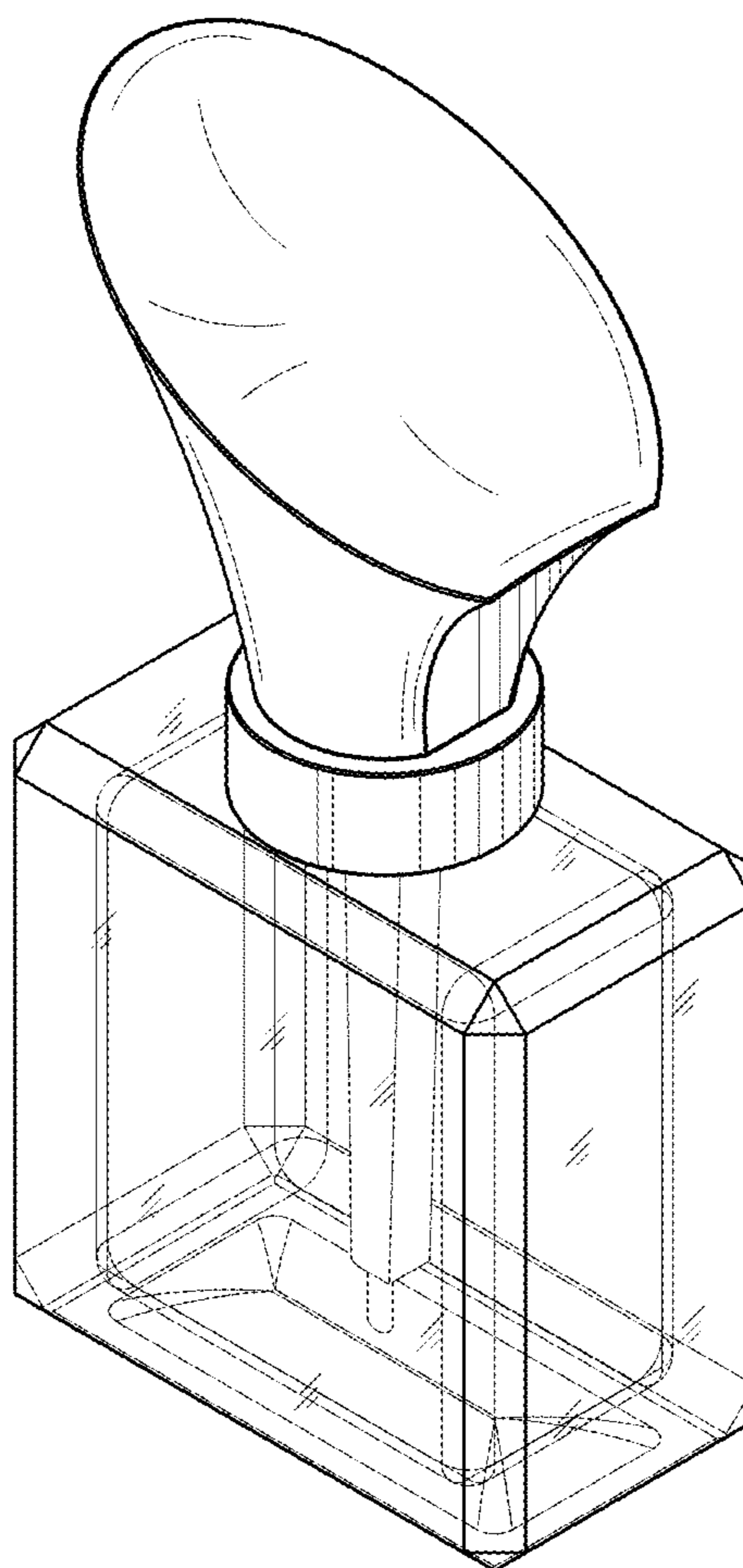


FIG. 2

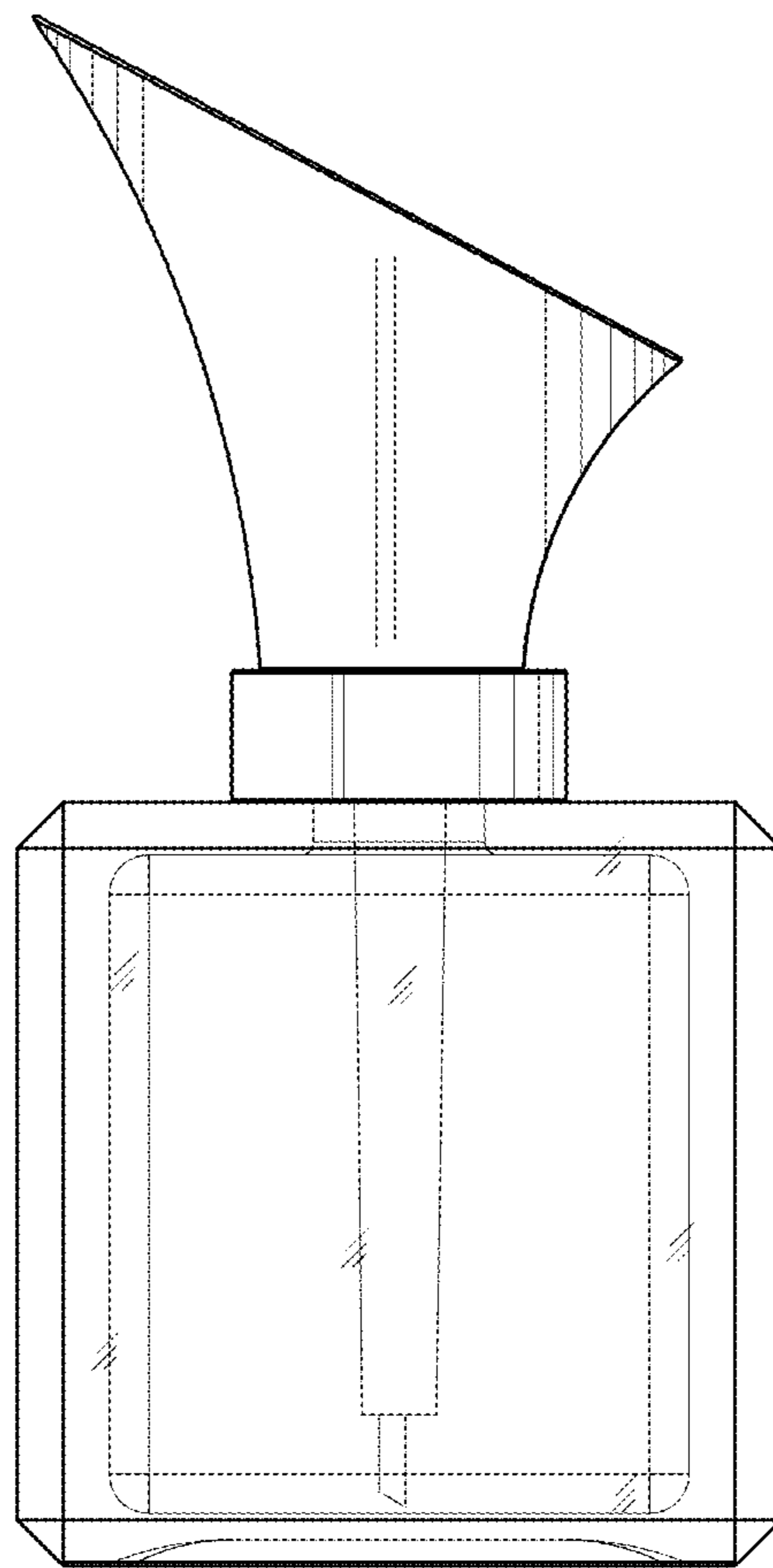


FIG. 3

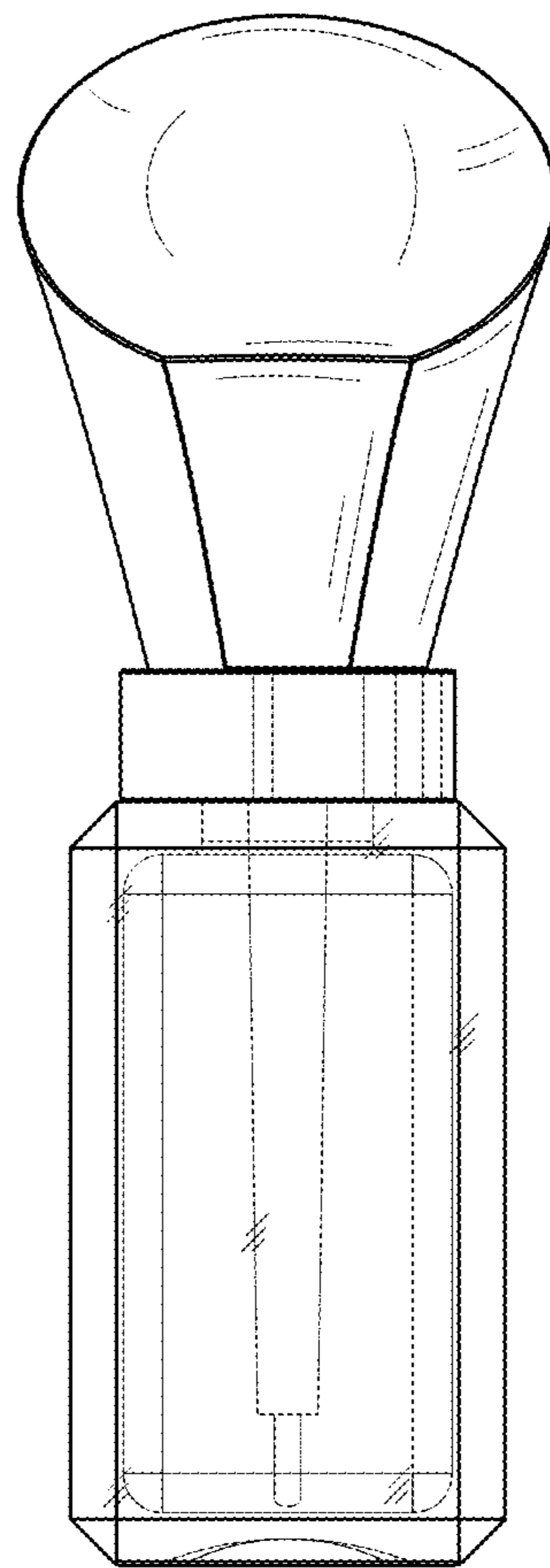


FIG. 4

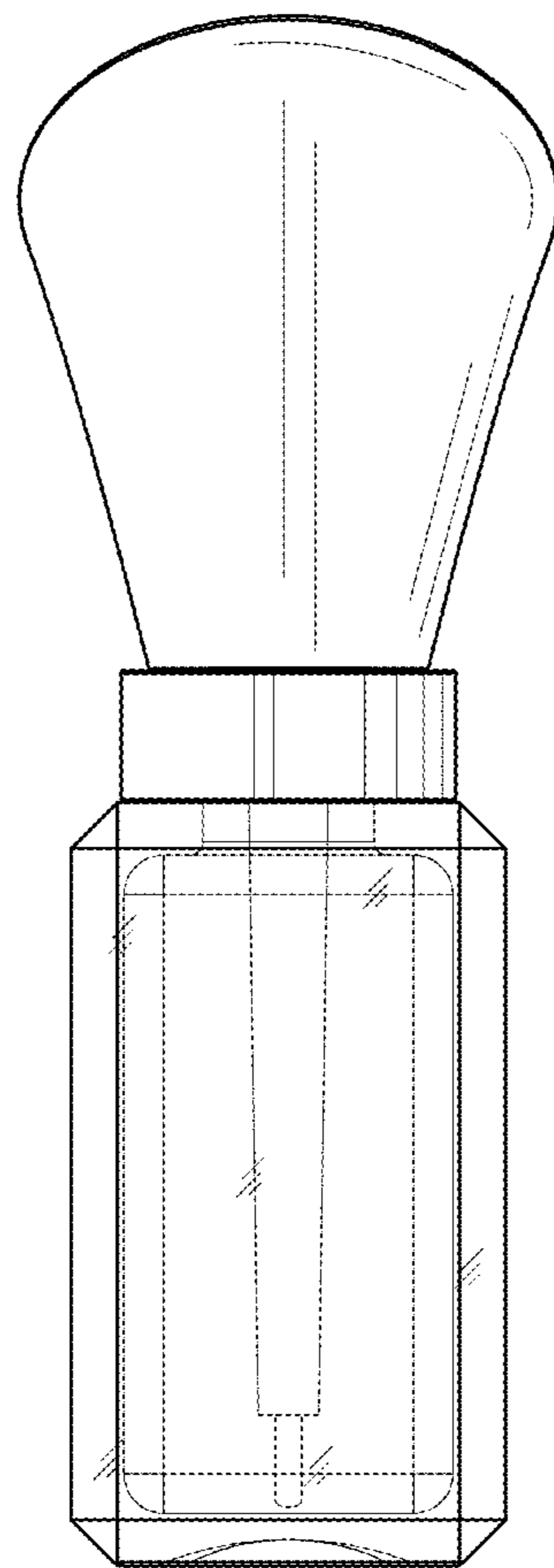


FIG. 5

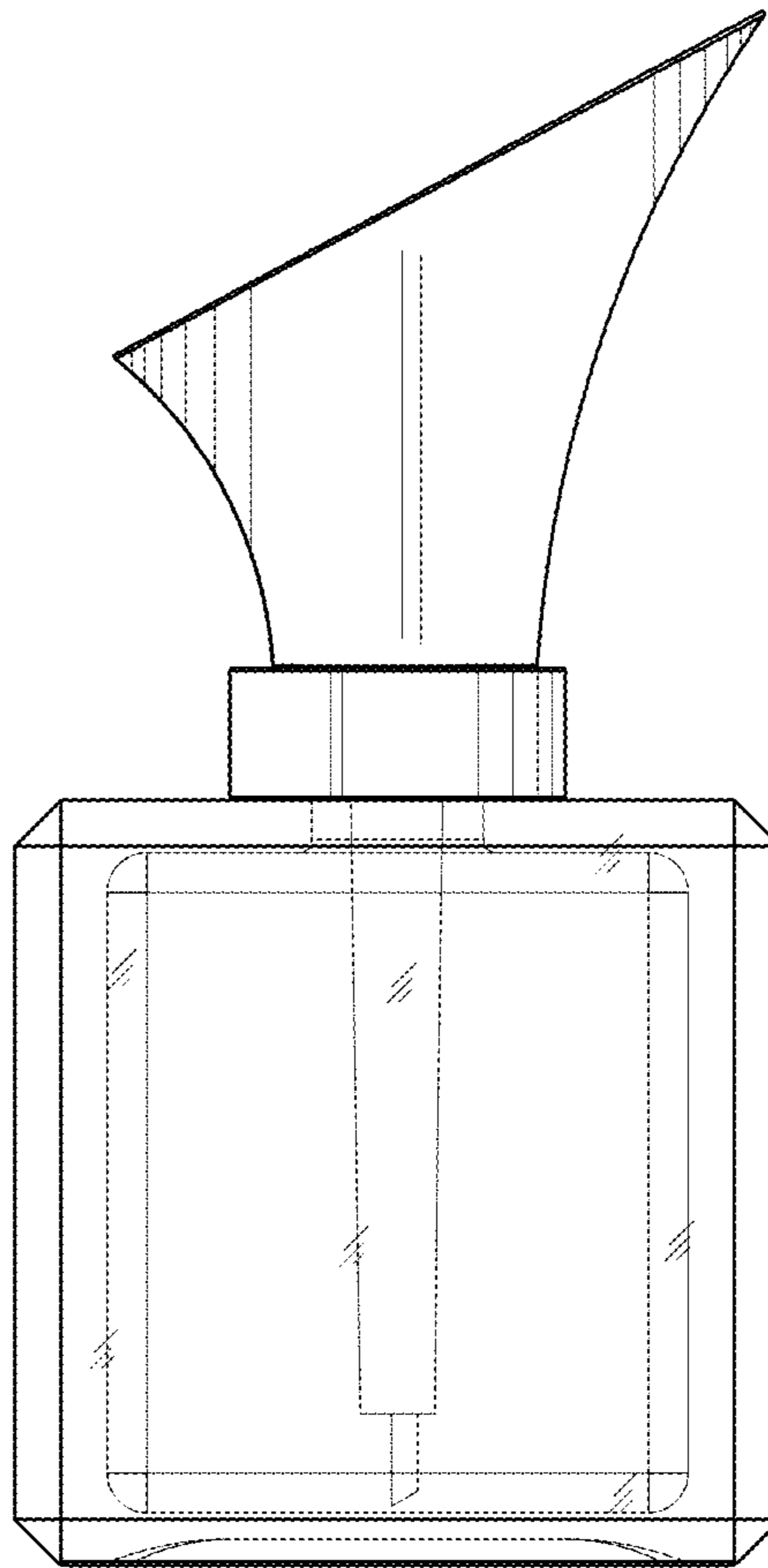


FIG. 6

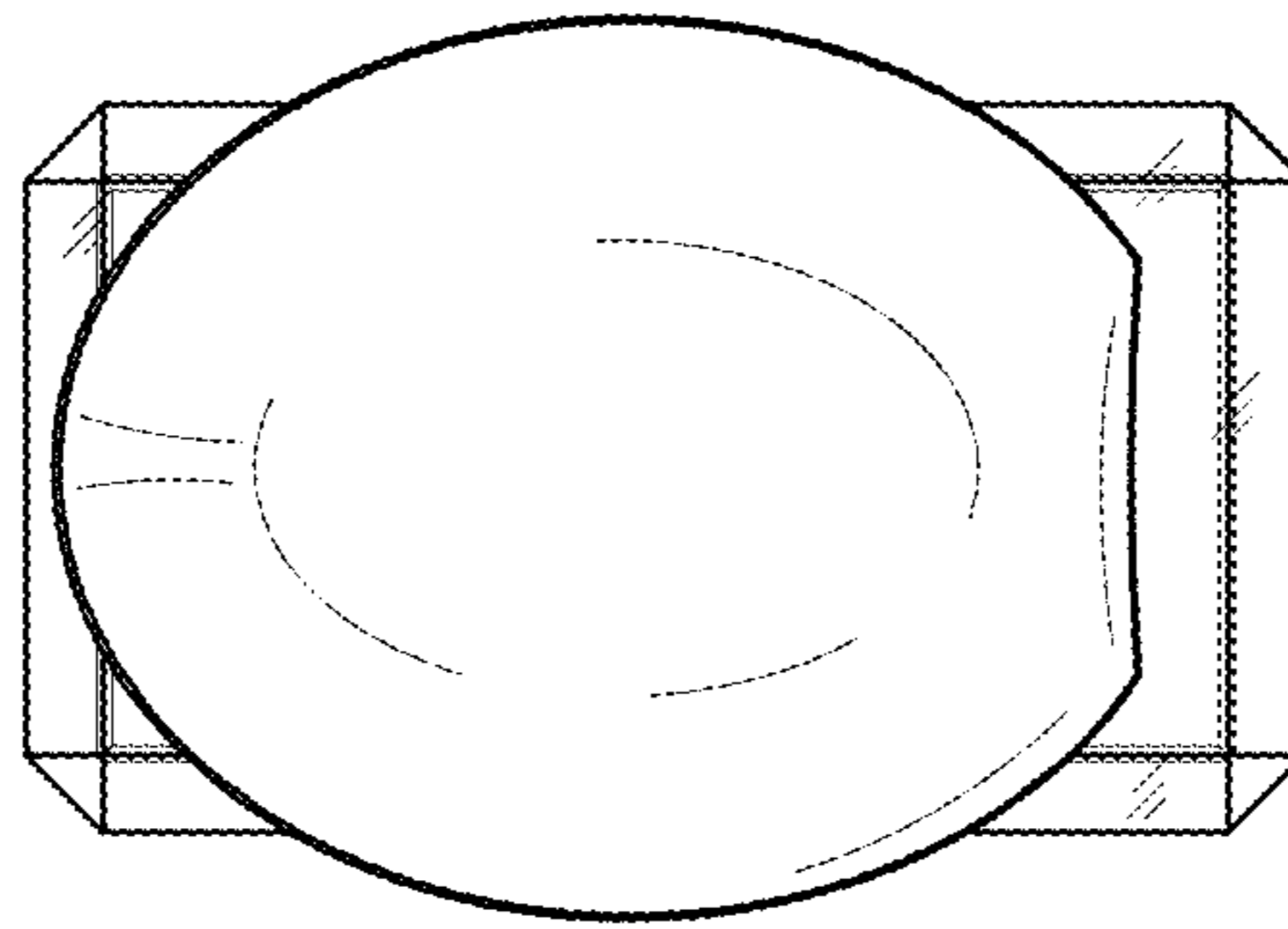


FIG. 7

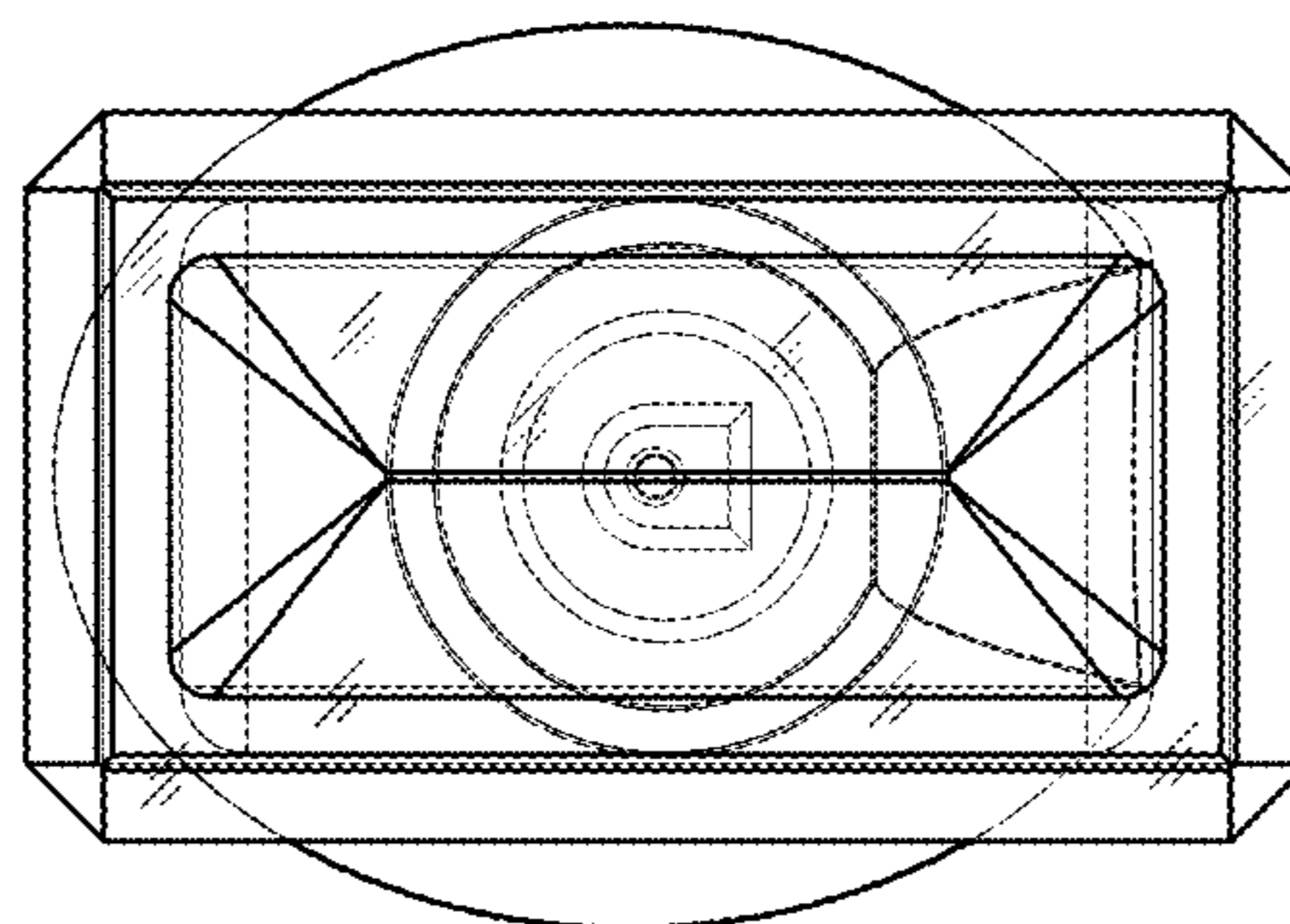


FIG. 8

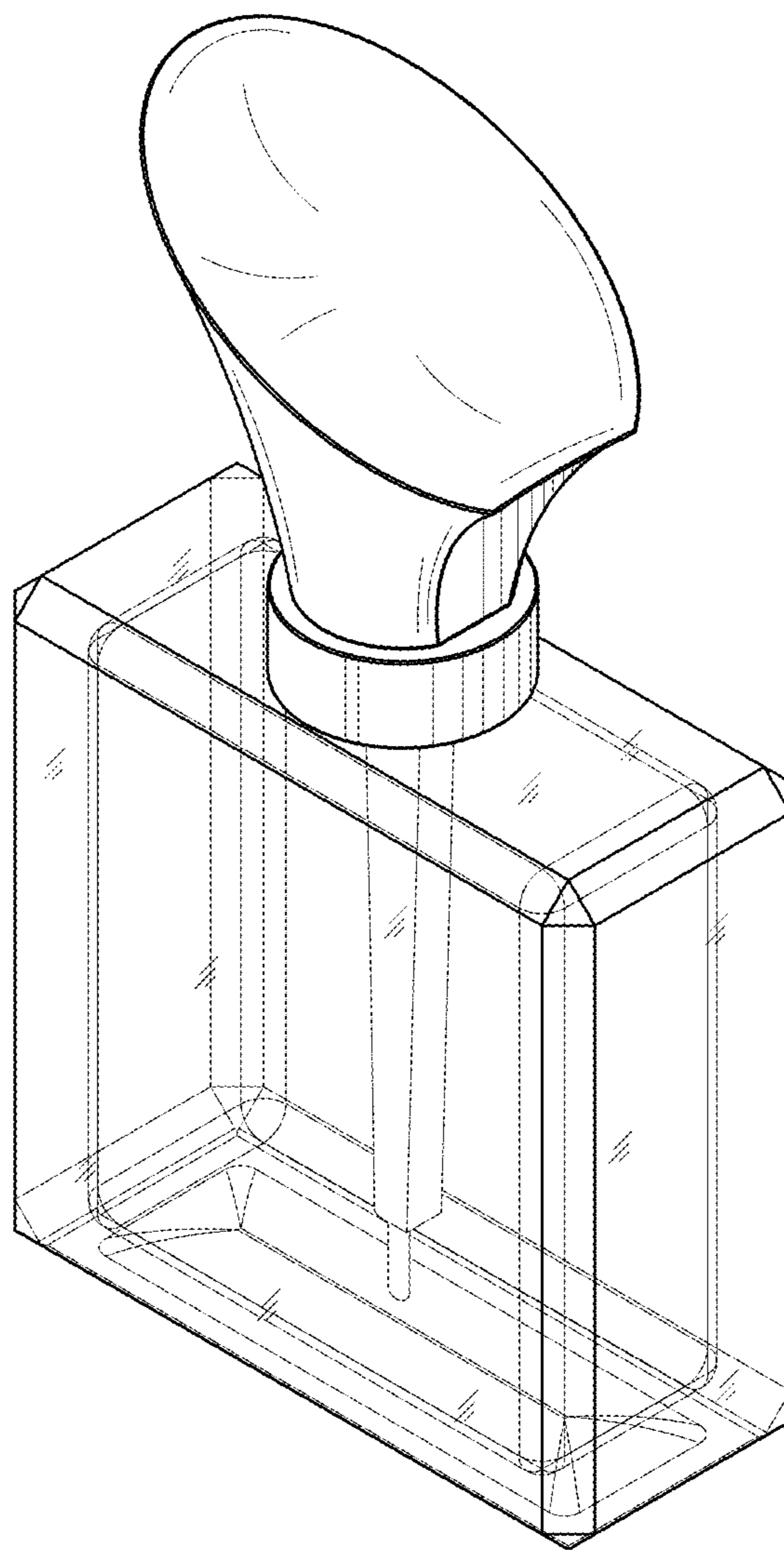


FIG. 9

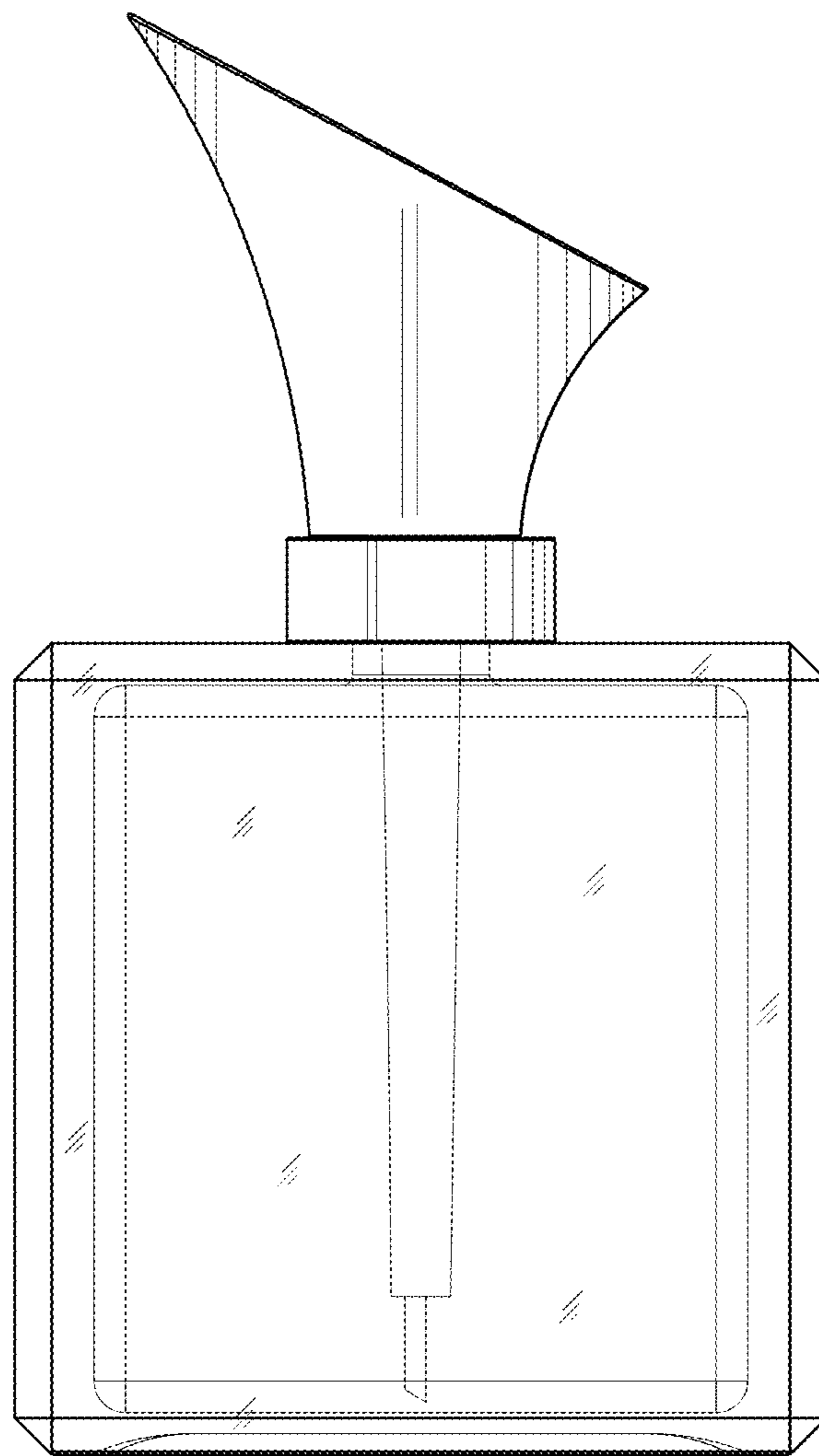


FIG. 10

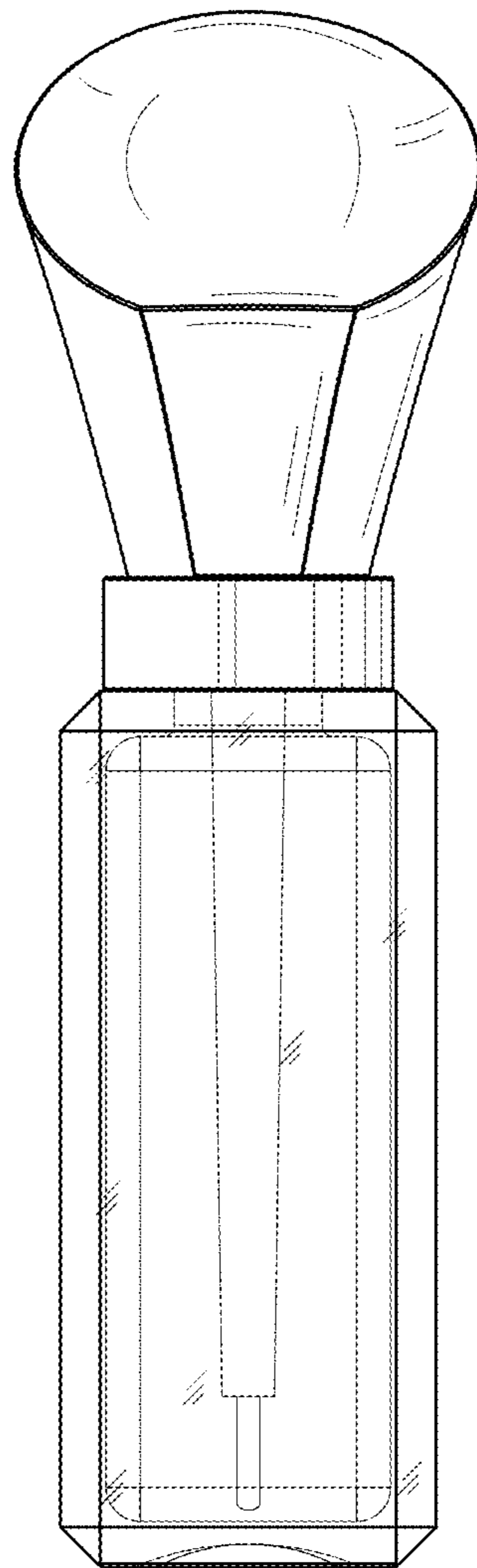


FIG. 11

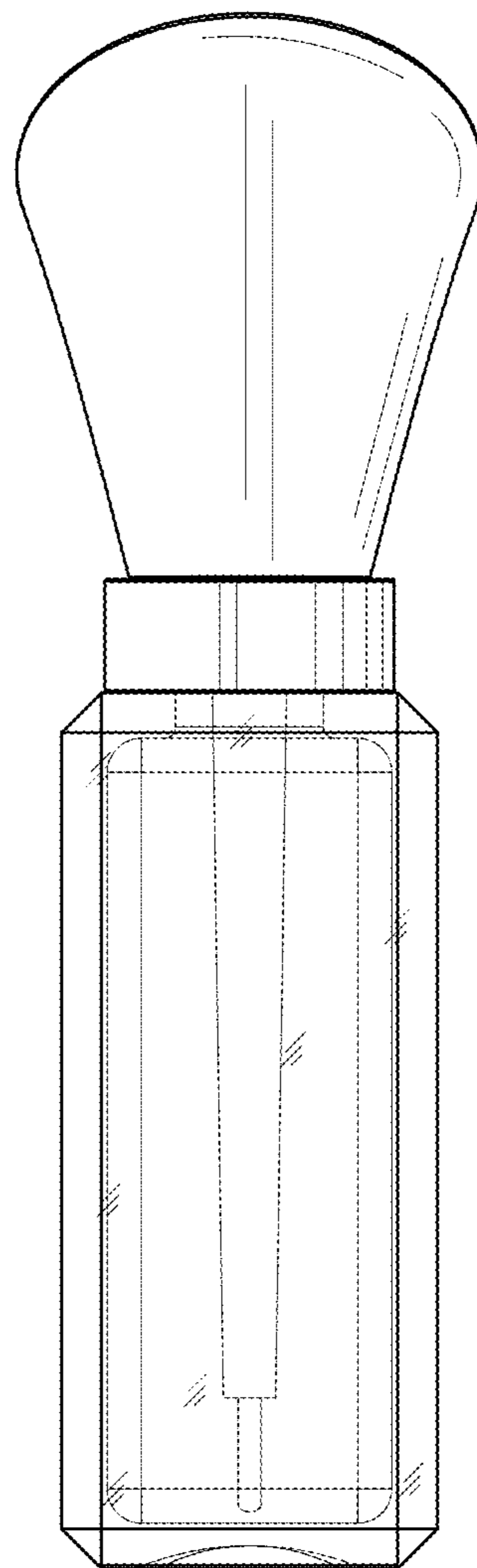


FIG. 12

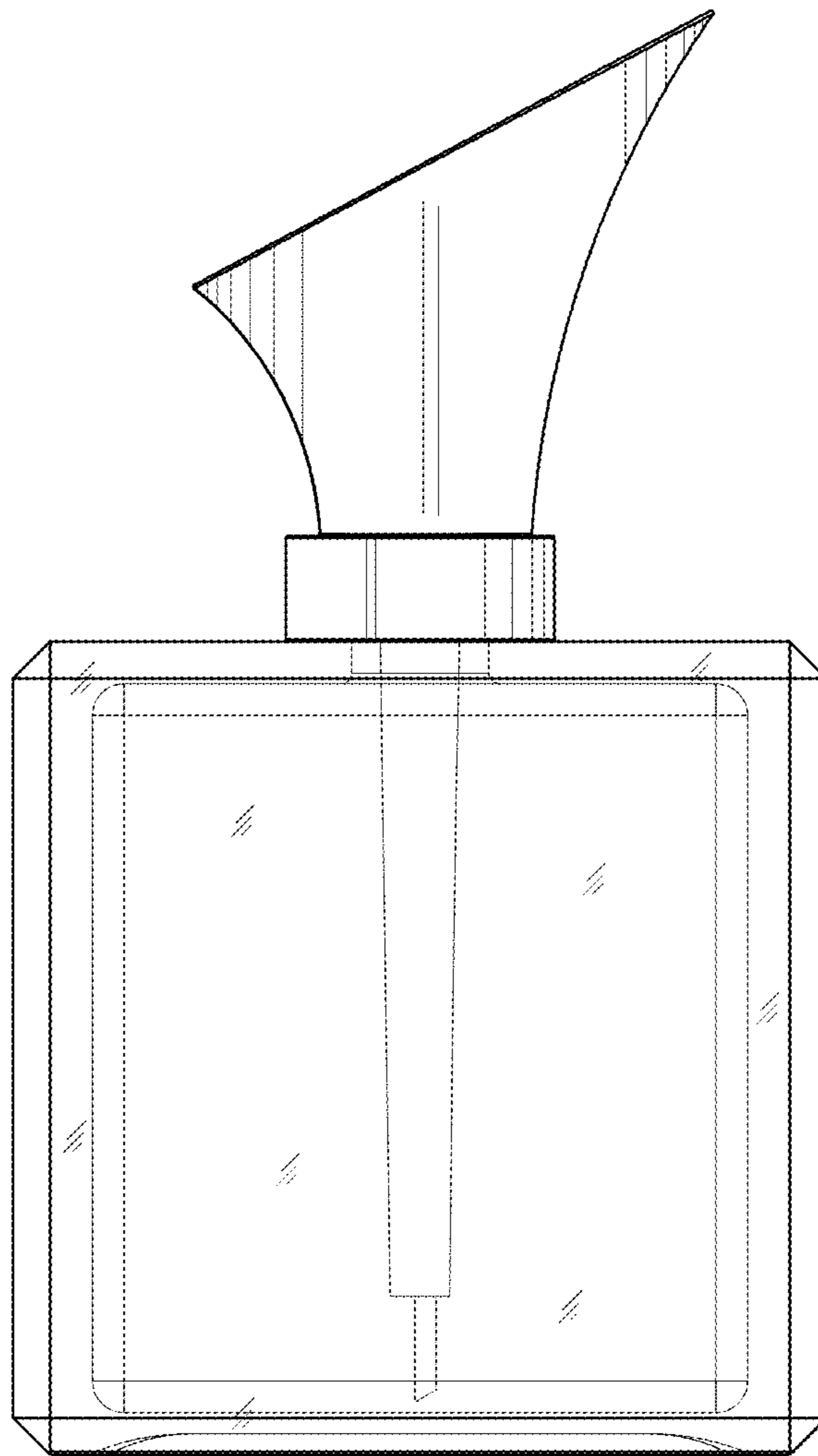


FIG. 13

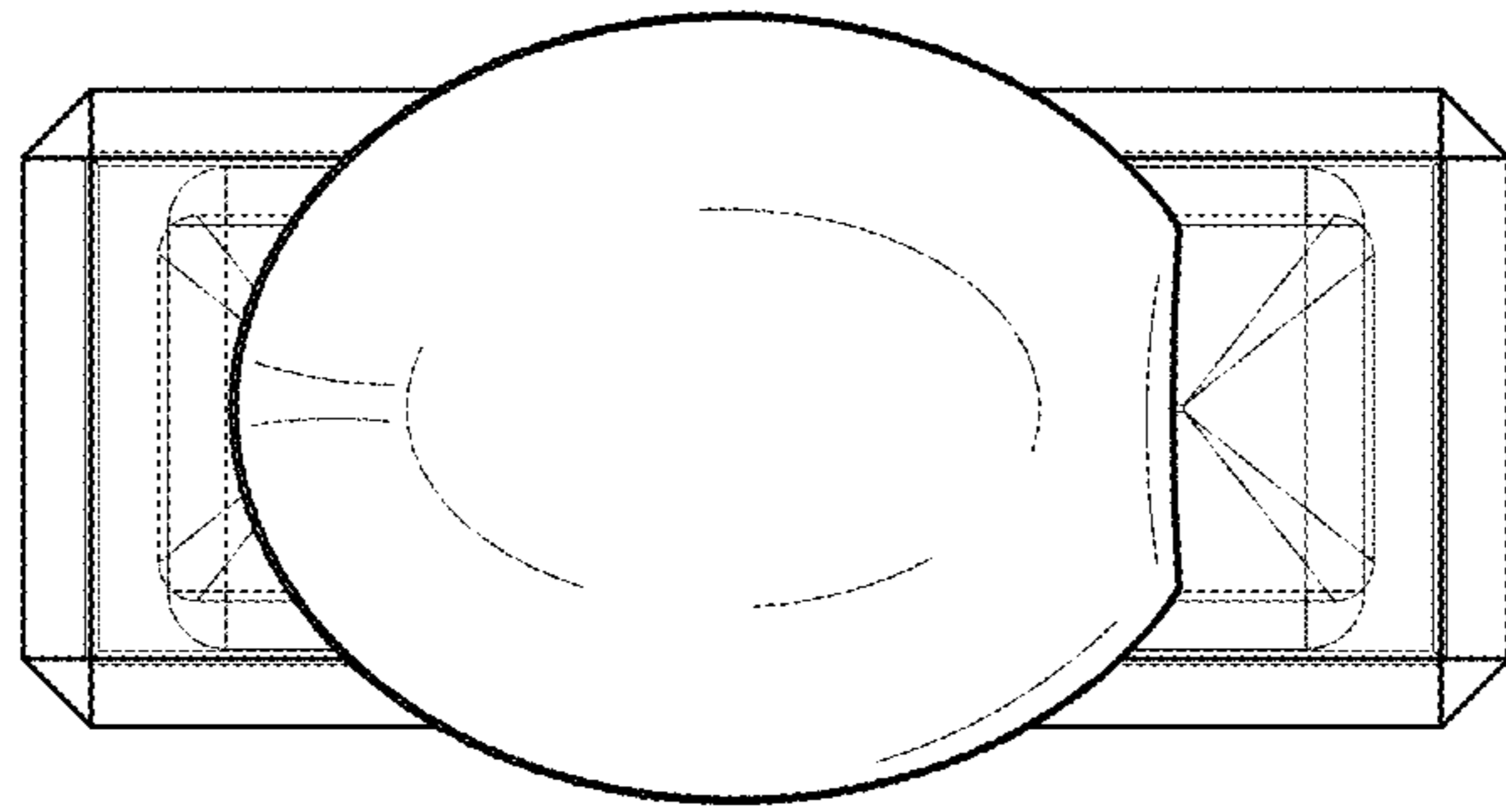


FIG. 14

