



US00D761111S

(12) **United States Design Patent**
Hart et al.

(10) **Patent No.:** **US D761,111 S**
(45) **Date of Patent:** **** Jul. 12, 2016**

(54) **CONTAINER**

(71) Applicant: **Old World Industries, LLC,**
Northbrook, IL (US)

(72) Inventors: **Christopher S. Hart,** Chicago, IL (US);
Amanda M. Vogel, Mason, OH (US);
Paris A. Lowitz, San Francisco, CA
(US)

(73) Assignee: **Old World Industries, LLC,**
Northbrook, IL (US)

(**) Term: **14 Years**

(21) Appl. No.: **29/507,717**

(22) Filed: **Oct. 30, 2014**

(51) **LOC (10) Cl.** **09-01**

(52) **U.S. Cl.**
USPC **D9/528; D9/520; D9/575; D9/745;**
D9/523

(58) **Field of Classification Search**
USPC **D9/516, 520, 523, 528, 530, 531, 533,**
D9/572, 575, 715, 745; D23/211.1
CPC **B65D 85/00; B65D 1/12; B65D 1/18;**
B65D 1/20; B65D 21/0237; F16N 3/04
See application file for complete search history.

(56) **References Cited**

U.S. PATENT DOCUMENTS

D325,522 S * 4/1992 Brochenin D9/523
D377,604 S * 1/1997 Salmon D9/528
D409,090 S * 5/1999 Lai D9/523
D471,584 S * 3/2003 Sugata D18/43
D479,803 S * 9/2003 Alguire D9/523

D528,424 S * 9/2006 Archeny D9/527
D581,796 S * 12/2008 Padain D9/523
D589,806 S * 4/2009 Snyder D9/523
D618,551 S * 6/2010 Salotti D9/523
D626,846 S * 11/2010 Schlies D9/528
D629,694 S * 12/2010 Heisner D9/528
D656,028 S * 3/2012 Fleischhacker D9/516
D664,436 S * 7/2012 Schneider D9/528
D684,471 S * 6/2013 Schneider D9/528
D705,662 S * 5/2014 Martin D9/523
D732,962 S * 6/2015 Hawry D9/523
D747,968 S * 1/2016 Martin D9/453

* cited by examiner

Primary Examiner — Dana L Meyrow

Assistant Examiner — Keith Frank

(74) *Attorney, Agent, or Firm* — Whyte Hirschboeck Dudek
S.C.

(57) **CLAIM**

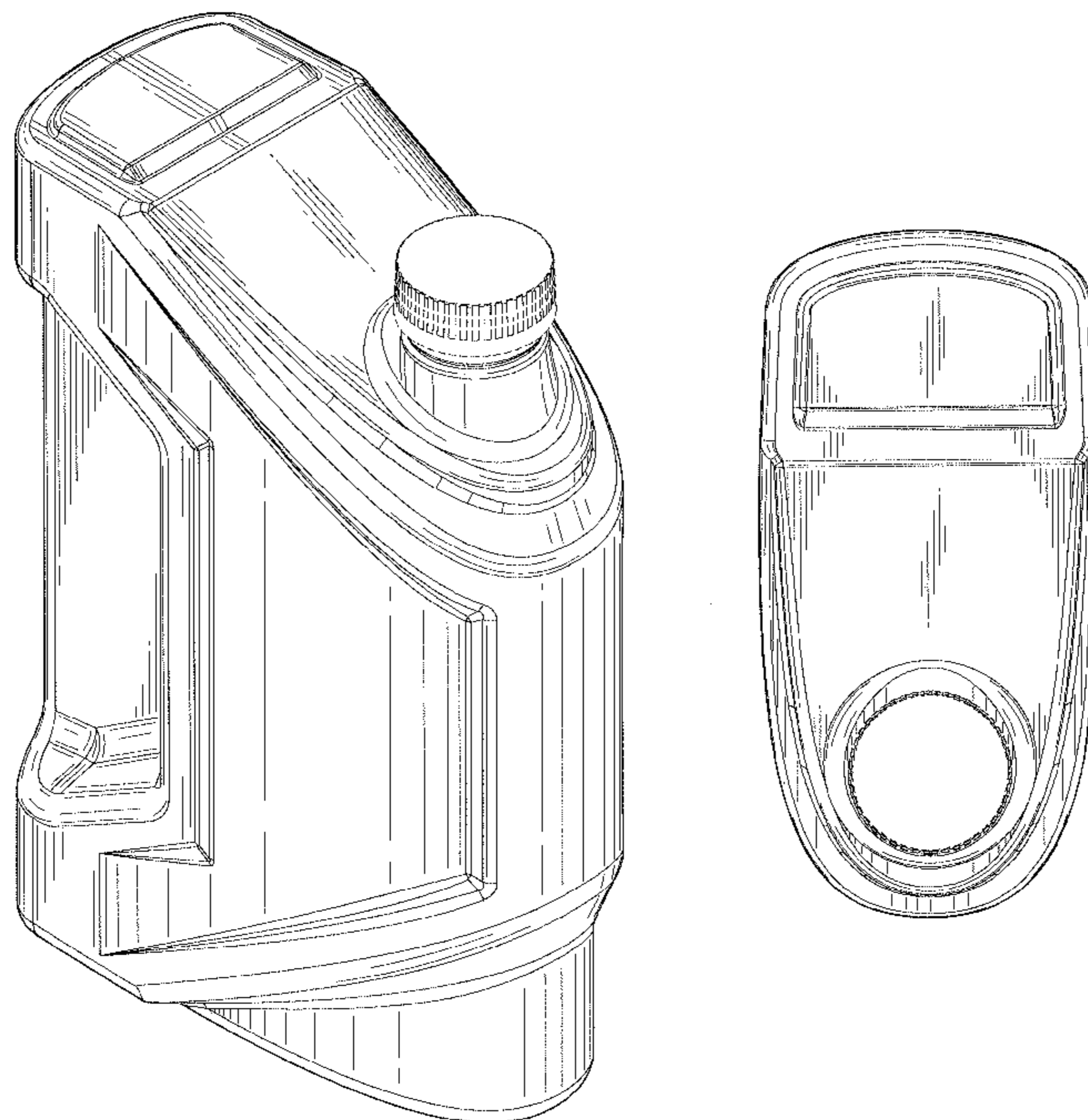
The ornamental design for a container, as shown and
described.

DESCRIPTION

FIG. 1 is a front perspective view of a container showing our
new design;
FIG. 2 is a rear perspective view thereof;
FIG. 3 is a front elevation view thereof;
FIG. 4 is a rear elevation view thereof;
FIG. 5 is a left side elevation view thereof;
FIG. 6 is a right side elevation view thereof;
FIG. 7 is a top plan view thereof; and,
FIG. 8 is a bottom plan view thereof.

The broken lines in the drawings illustrate the portions of the
container that form no part of the claim.

1 Claim, 6 Drawing Sheets



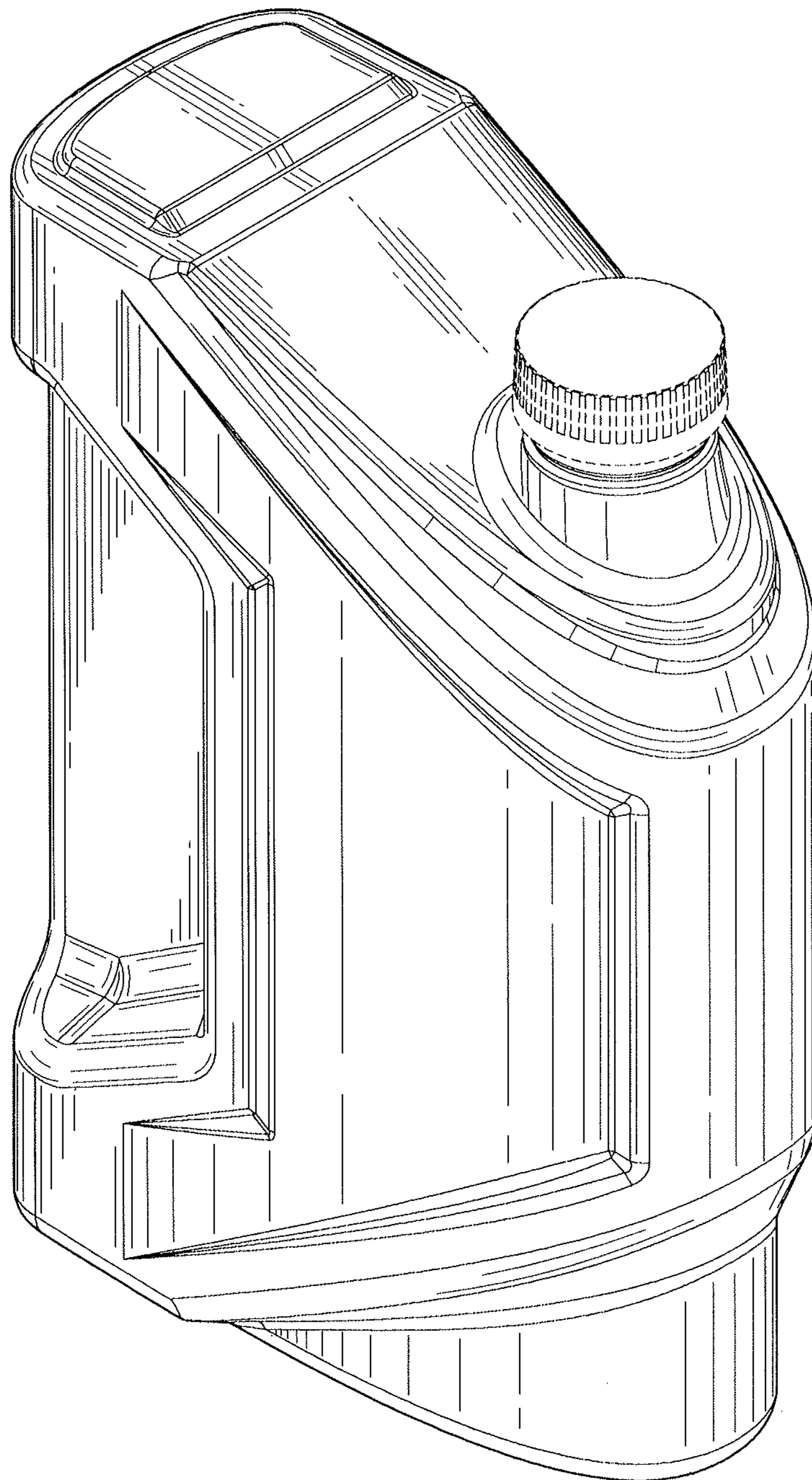


FIG. 1

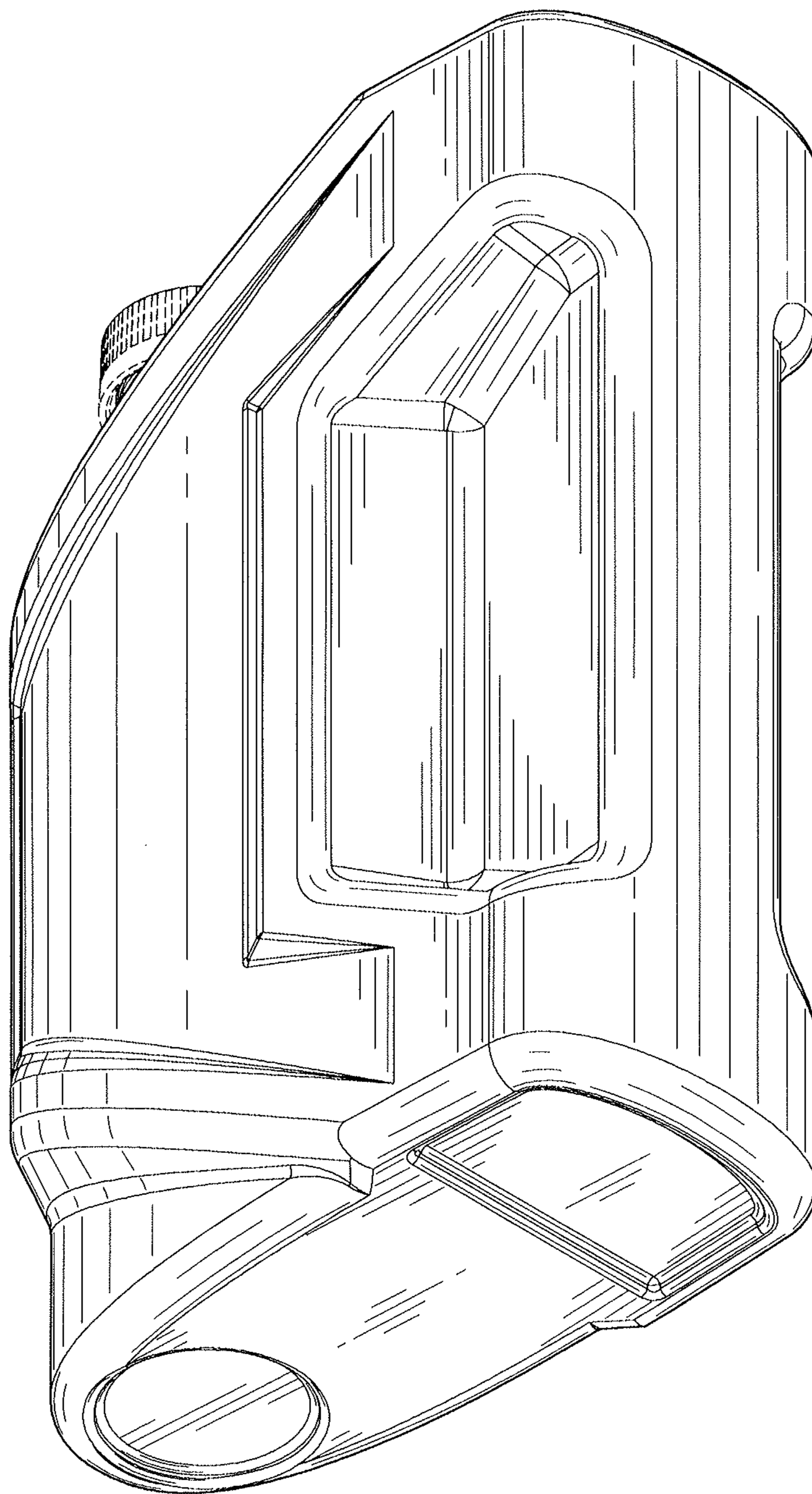


FIG. 2

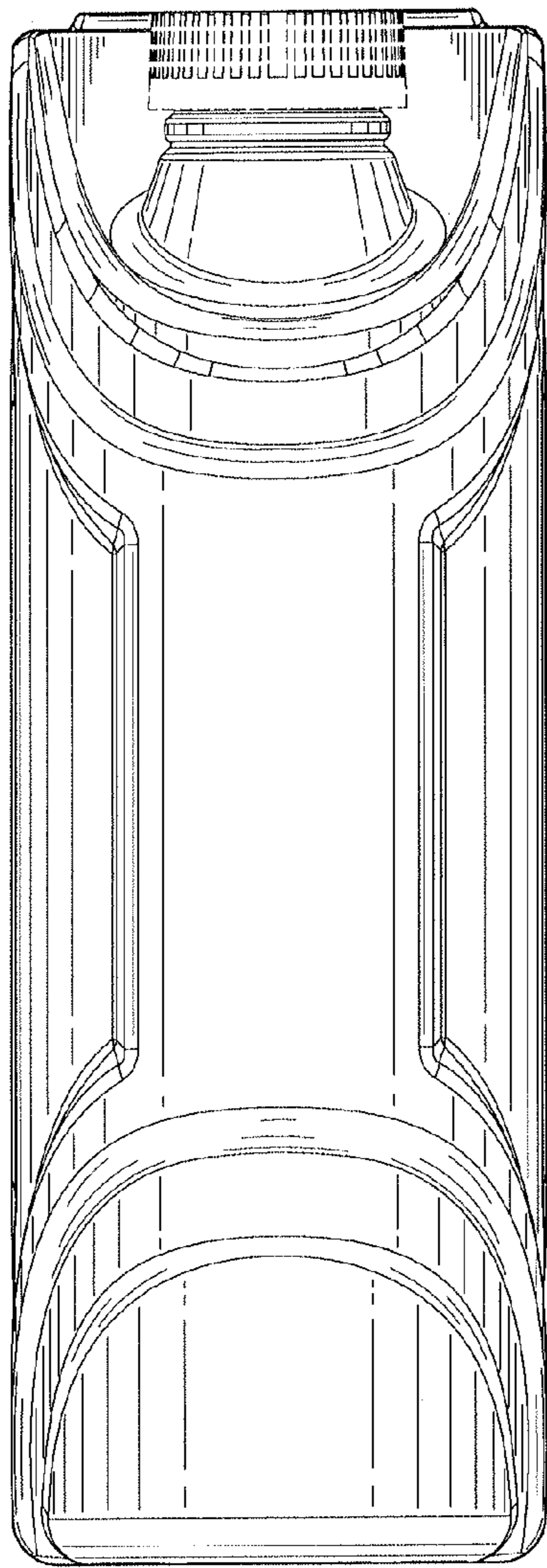


FIG. 3

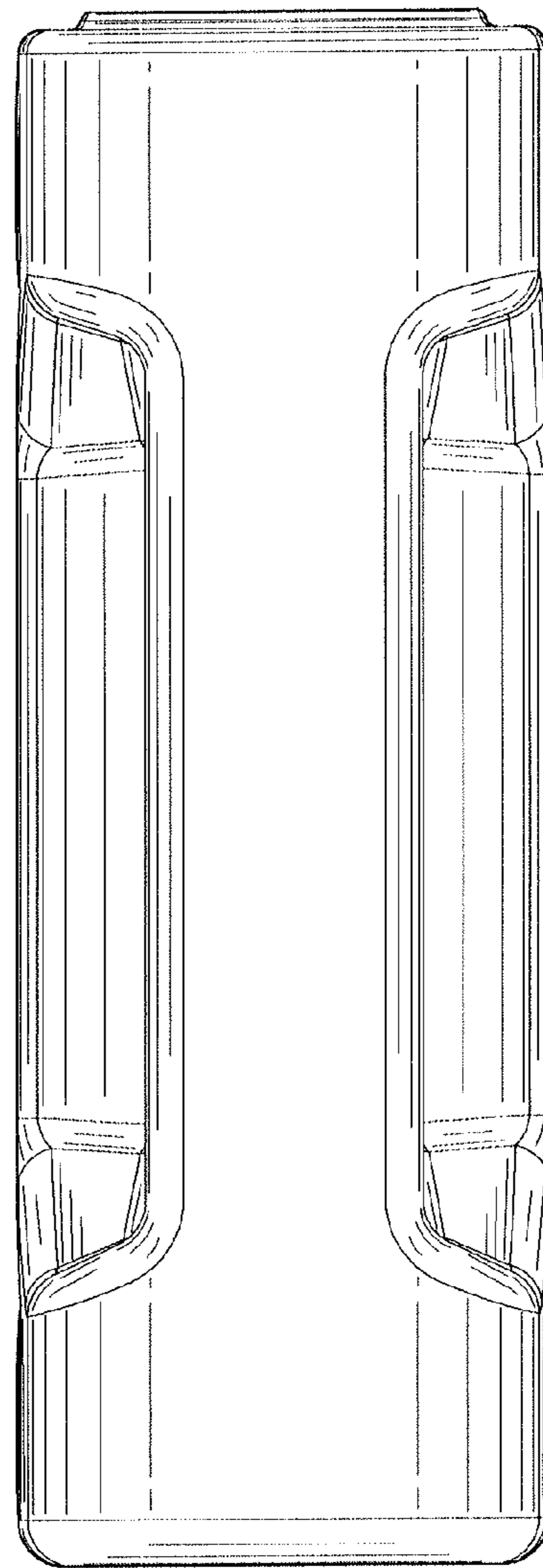


FIG. 4

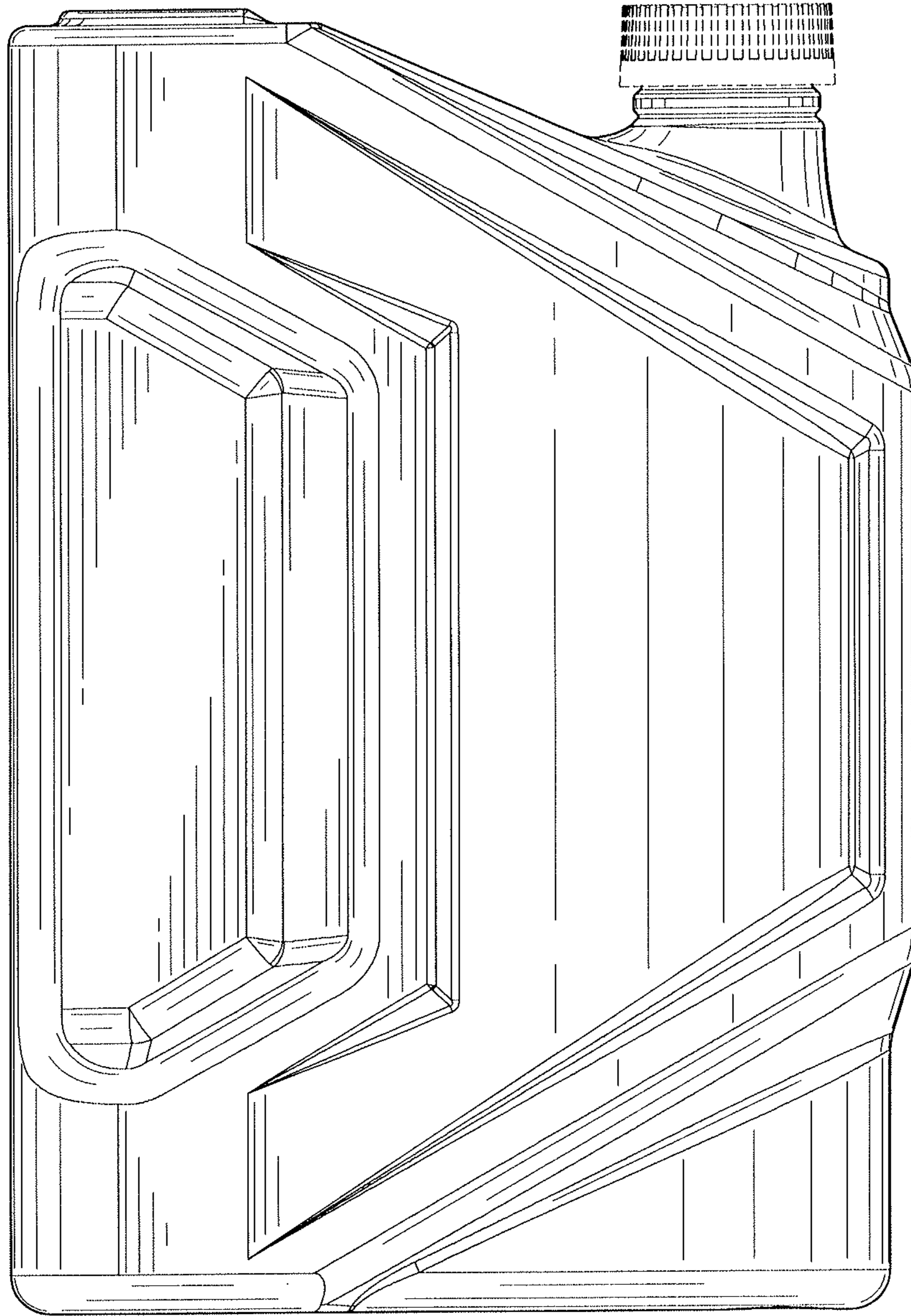


FIG. 5

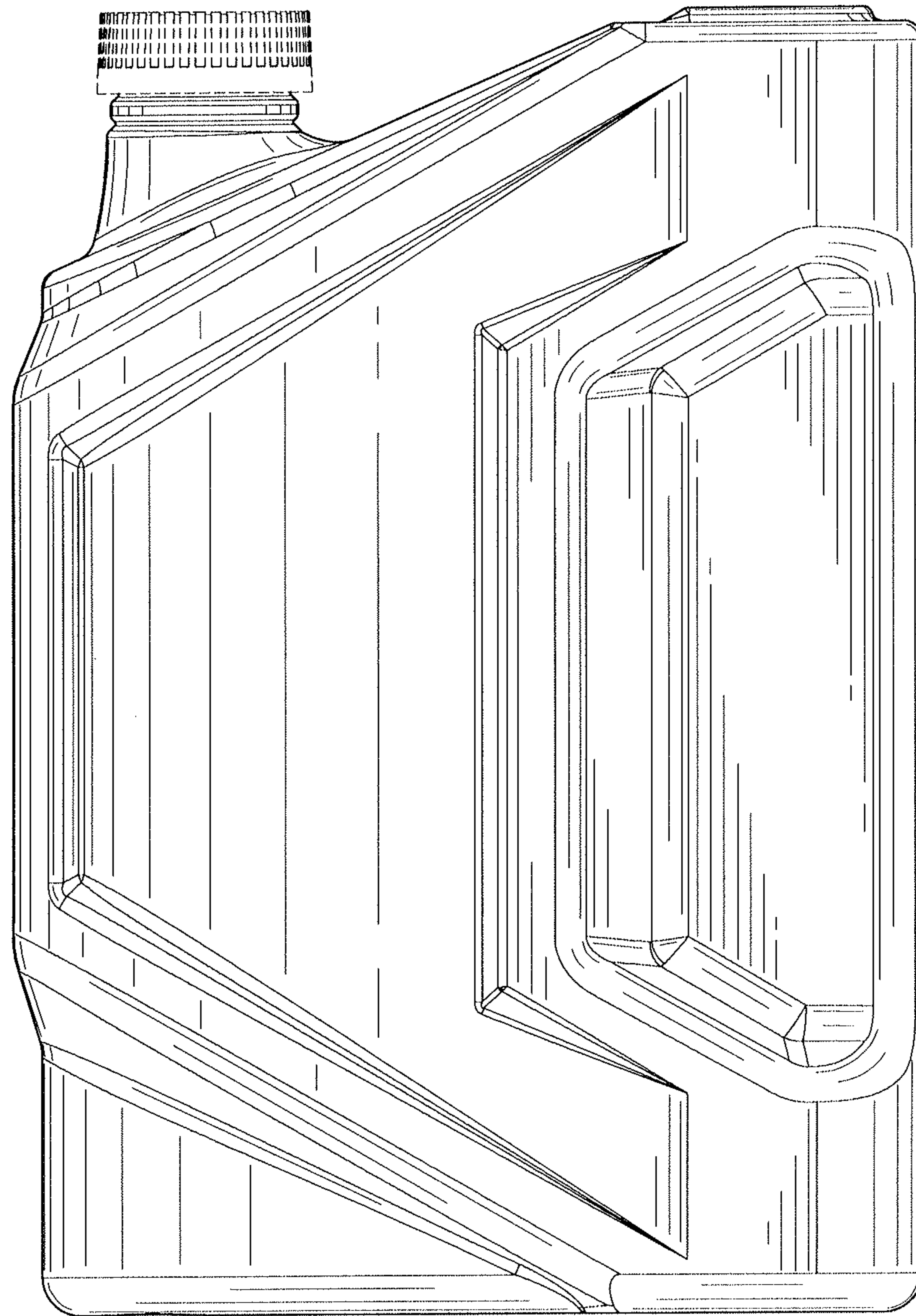


FIG. 6

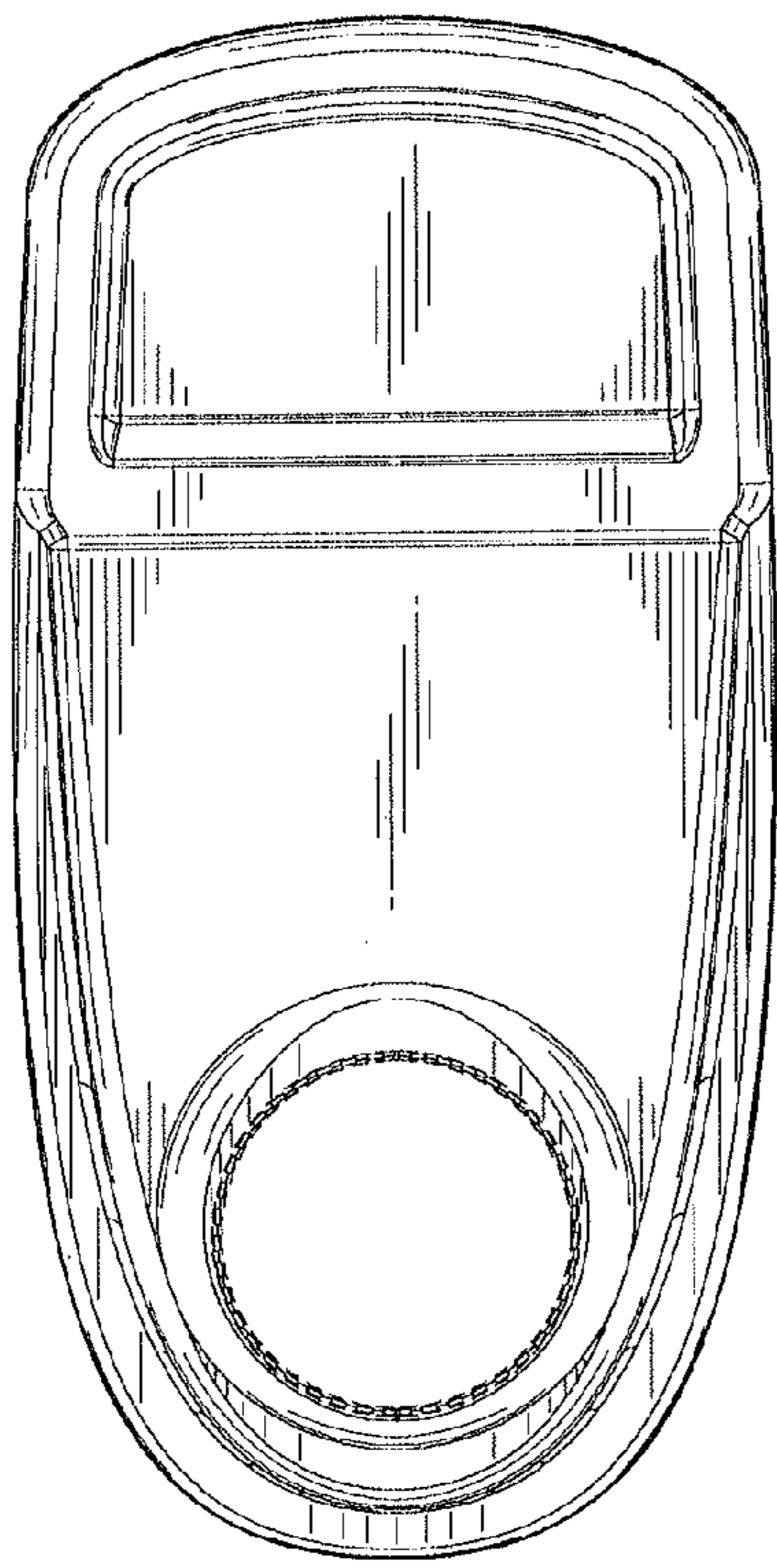


FIG. 7

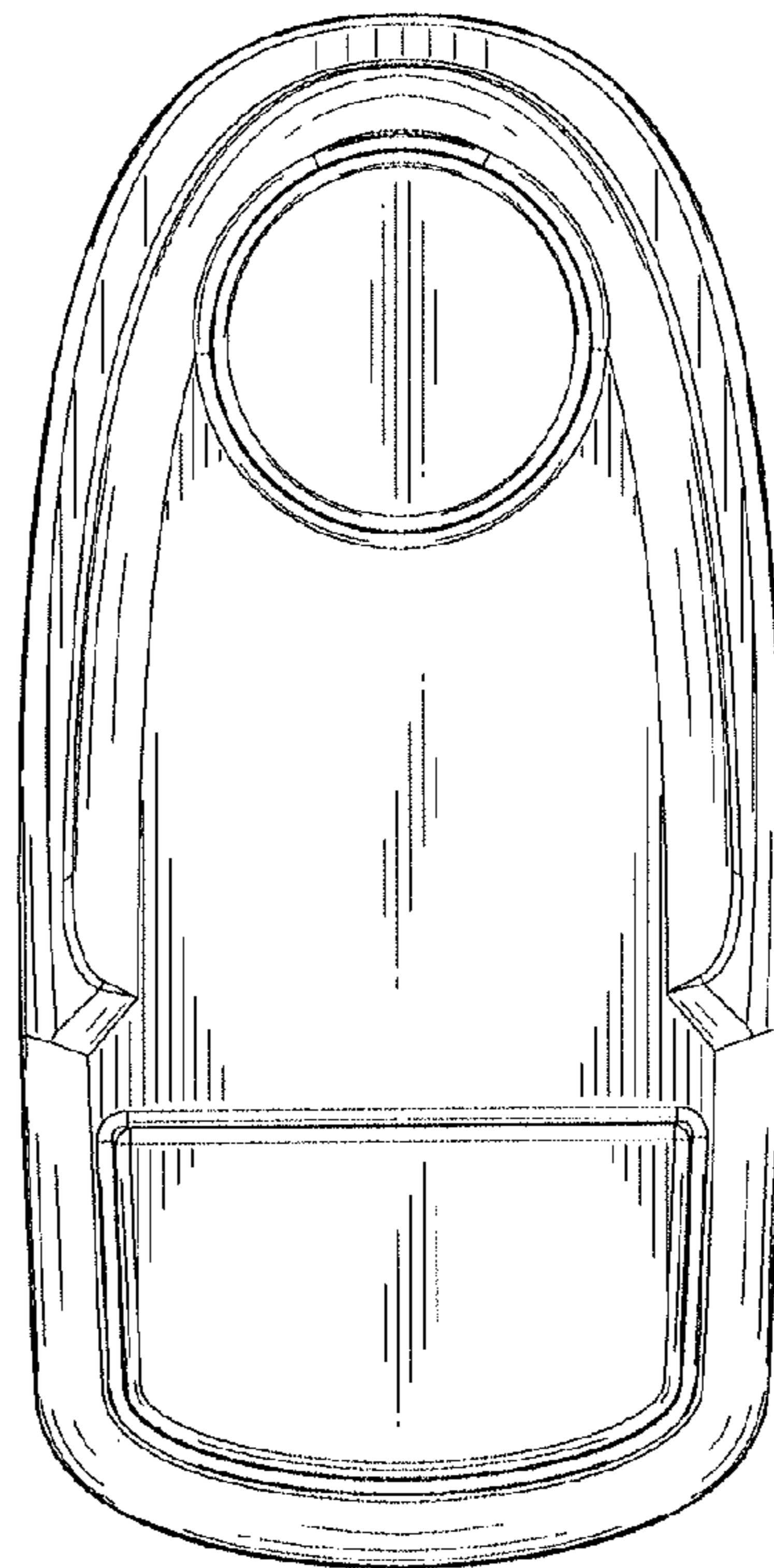


FIG. 8