

US00D761110S

(12) **United States Design Patent**
Hart et al.

(10) **Patent No.:** **US D761,110 S**
(45) **Date of Patent:** **** Jul. 12, 2016**

(54) **CONTAINER**

(71) Applicant: **Old World Industries, LLC,**
Northbrook, IL (US)

(72) Inventors: **Christopher S. Hart,** Chicago, IL (US);
Amanda M. Vogel, Mason, OH (US);
Paris A. Lowitz, San Francisco, CA
(US)

(73) Assignee: **Old World Industries, LLC,**
Northbrook, IL (US)

(**) Term: **14 Years**

(21) Appl. No.: **29/507,721**

(22) Filed: **Oct. 30, 2014**

(51) **LOC (10) Cl.** **09-01**

(52) **U.S. Cl.**
USPC **D9/524; D9/527; D9/528; D9/533**

(58) **Field of Classification Search**
USPC **D9/516, 520, 523, 524, 526, 527, 528,**
D9/530, 531, 533, 572, 575, 715, 745;
D23/211.1

CPC **B65D 85/00; B65D 1/12; B65D 1/18;**
B65D 1/20; B65D 21/0237; F16N 3/04
See application file for complete search history.

(56) **References Cited**

U.S. PATENT DOCUMENTS

3,940,002	A *	2/1976	Schiemann	B29C 49/20
					215/383
D248,830	S *	8/1978	Anderson	D9/523
4,781,314	A *	11/1988	Schoonover	B65D 1/20
					215/375
D358,330	S *	5/1995	Kahl	D23/211.1
D370,379	S *	6/1996	Klein	D7/306

D408,846	S *	4/1999	Schwallie	D18/43
D418,759	S *	1/2000	Holmstrom	D9/528
D427,912	S *	7/2000	Johnson	D9/528
D433,945	S *	11/2000	Denison	D9/527
D504,824	S *	5/2005	Darr	D9/528
D569,476	S *	5/2008	Munlin	D23/211.1
D587,955	S *	3/2009	Stamper	D7/306
7,900,796	B2 *	3/2011	Ungrady	B65D 1/40
					215/383
D636,056	S *	4/2011	Pritchard	D23/211.1
D663,212	S *	7/2012	DiBiasio	D9/528
D678,773	S *	3/2013	DiBiasio	D9/528
D693,225	S *	11/2013	Baker	D9/528
D735,049	S *	7/2015	Cornelius	D9/527

* cited by examiner

Primary Examiner — Dana L Meyrow

Assistant Examiner — Keith Frank

(74) *Attorney, Agent, or Firm* — Whyte Hirschboeck Dudek S.C.

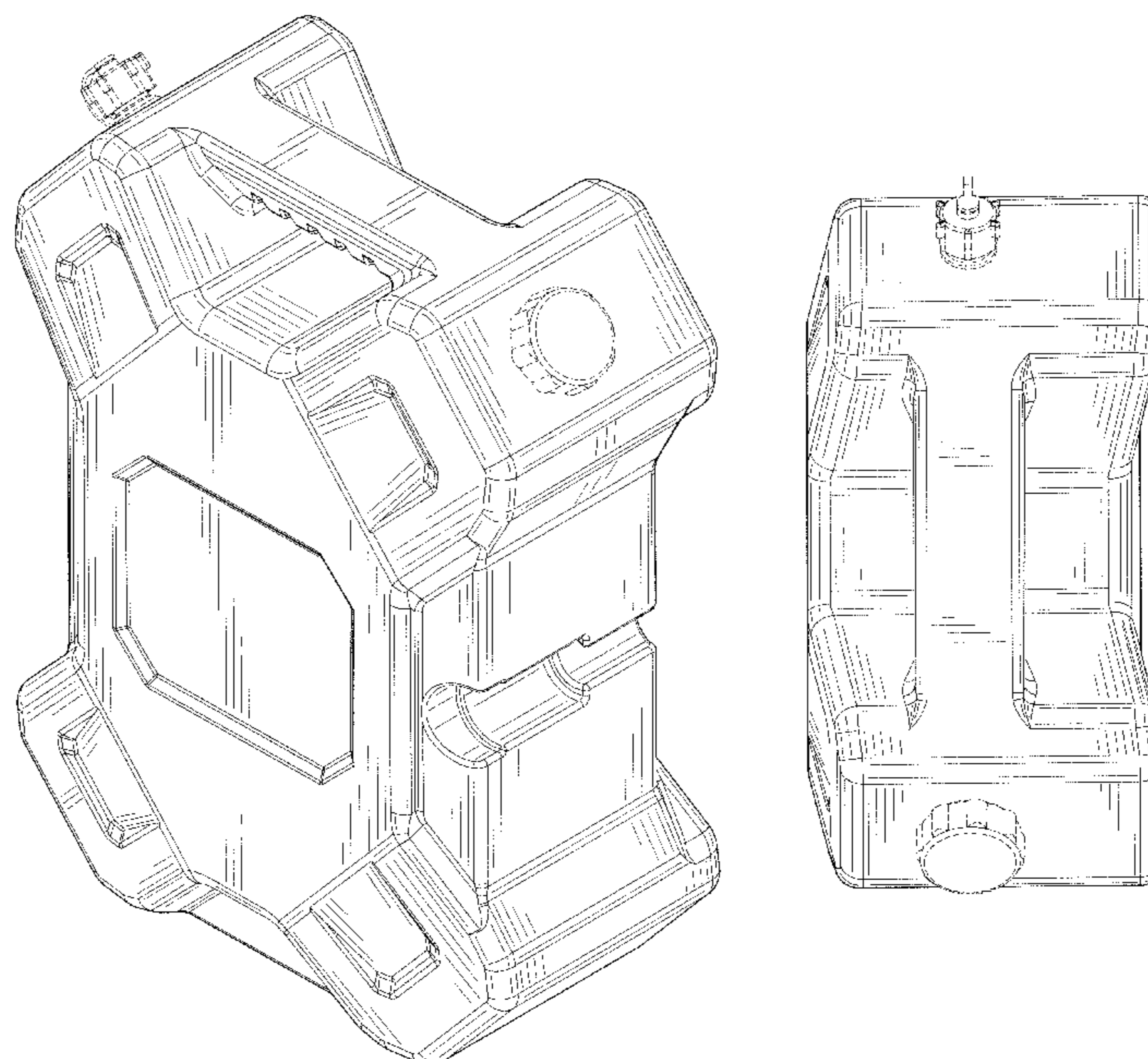
(57) **CLAIM**

The ornamental design for a container, as shown and described.

DESCRIPTION

FIG. 1 is a front perspective view of a container showing our new design;
FIG. 2 is a rear perspective view thereof;
FIG. 3 is a front elevation view thereof;
FIG. 4 is a rear elevation view thereof;
FIG. 5 is a left side elevation view thereof;
FIG. 6 is a right side elevation view thereof;
FIG. 7 is a top plan view thereof; and,
FIG. 8 is a bottom plan view thereof.
The broken lines of FIGS. 1-8 illustrate portions of the container that form no part of the claimed design.

1 Claim, 6 Drawing Sheets



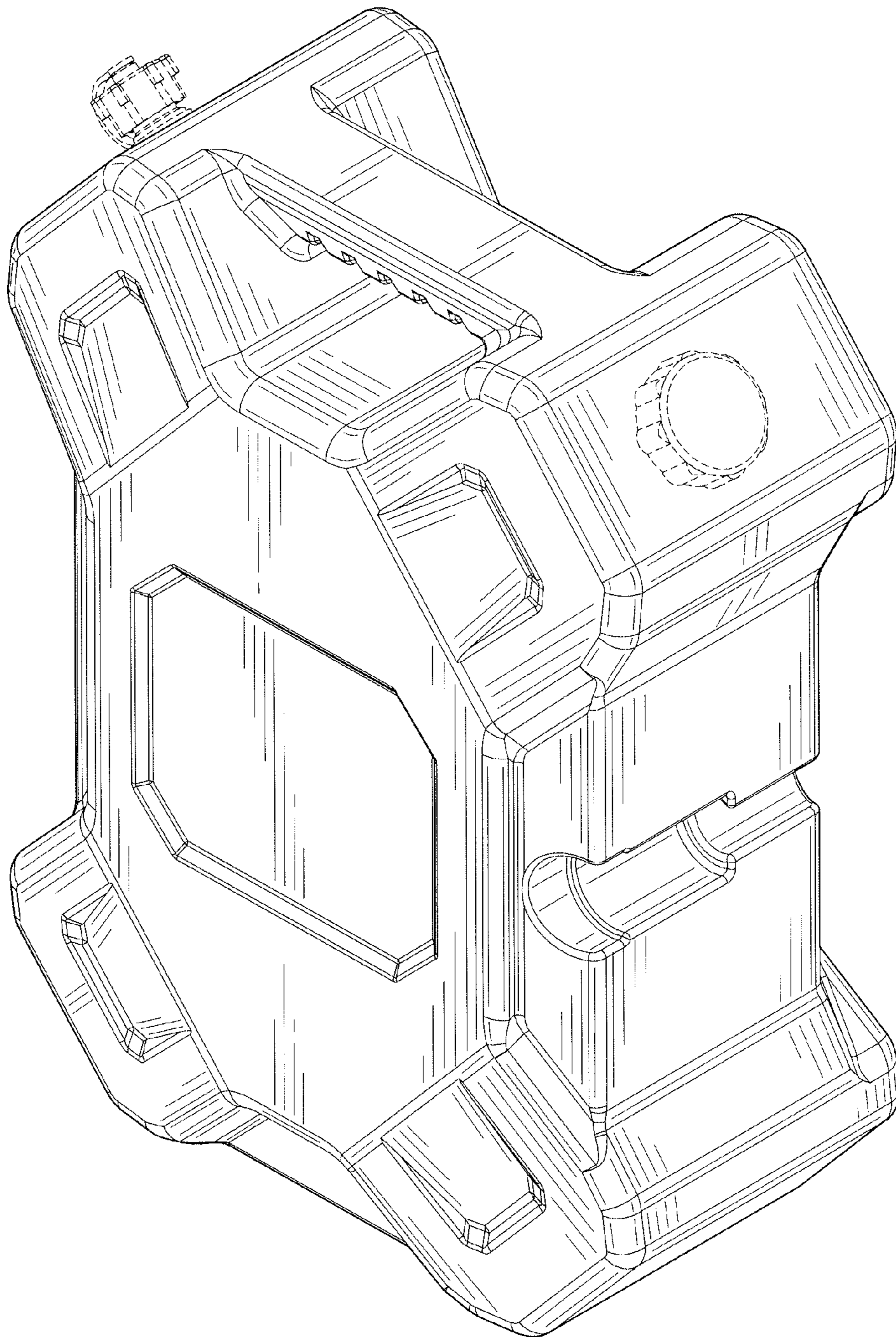


FIG. 1

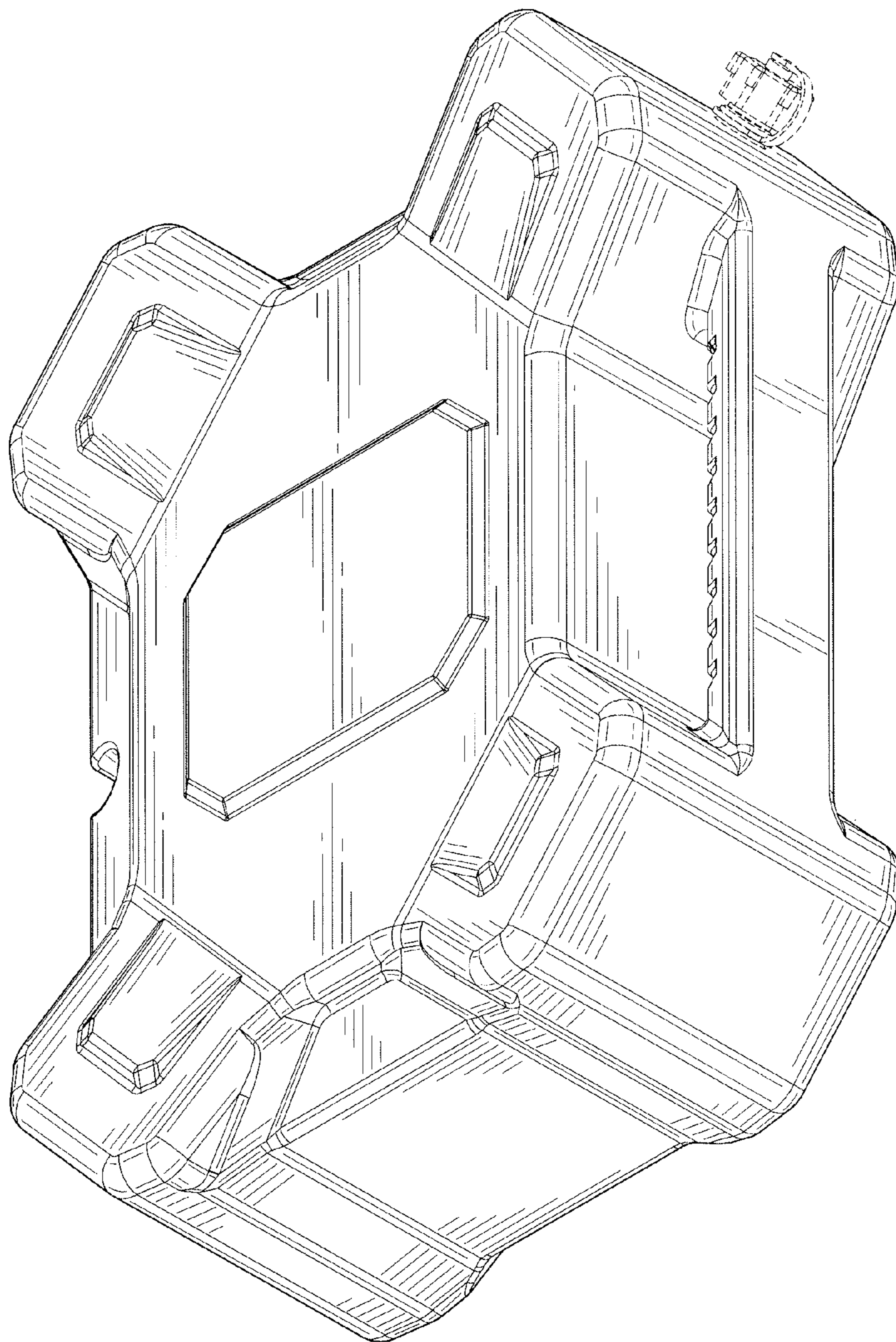


FIG. 2

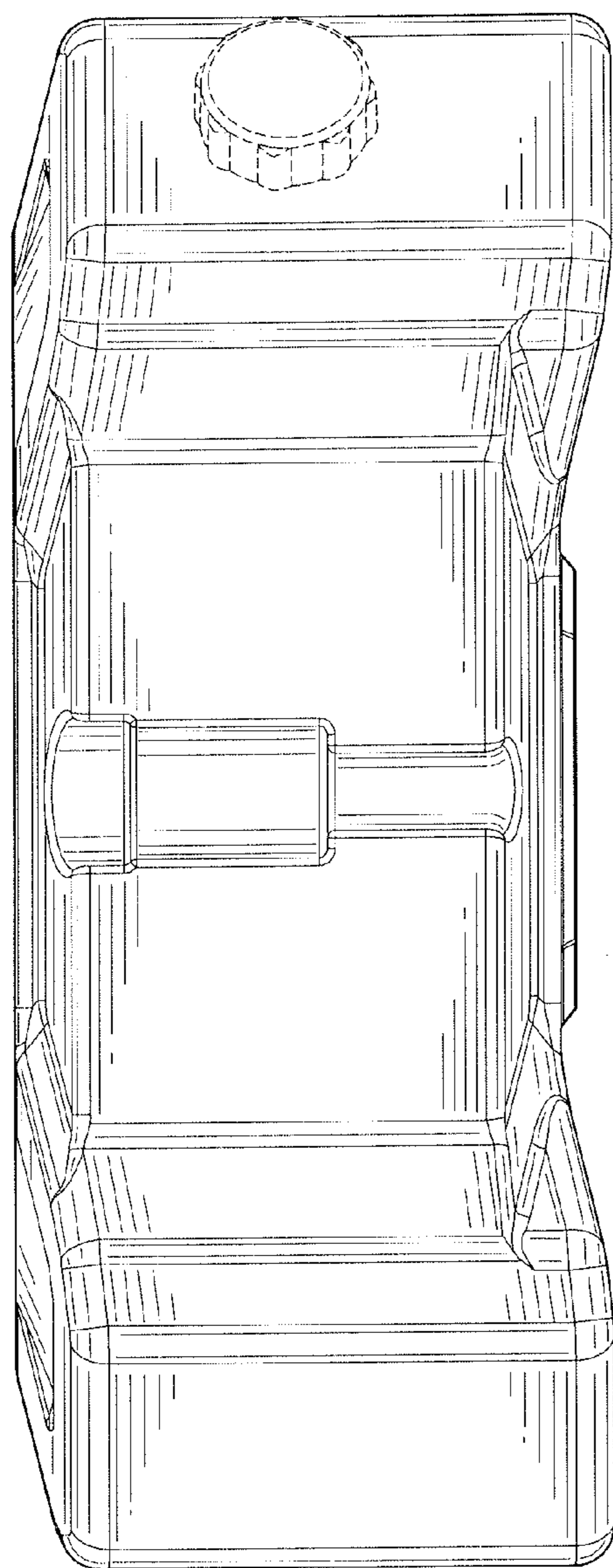


FIG. 3

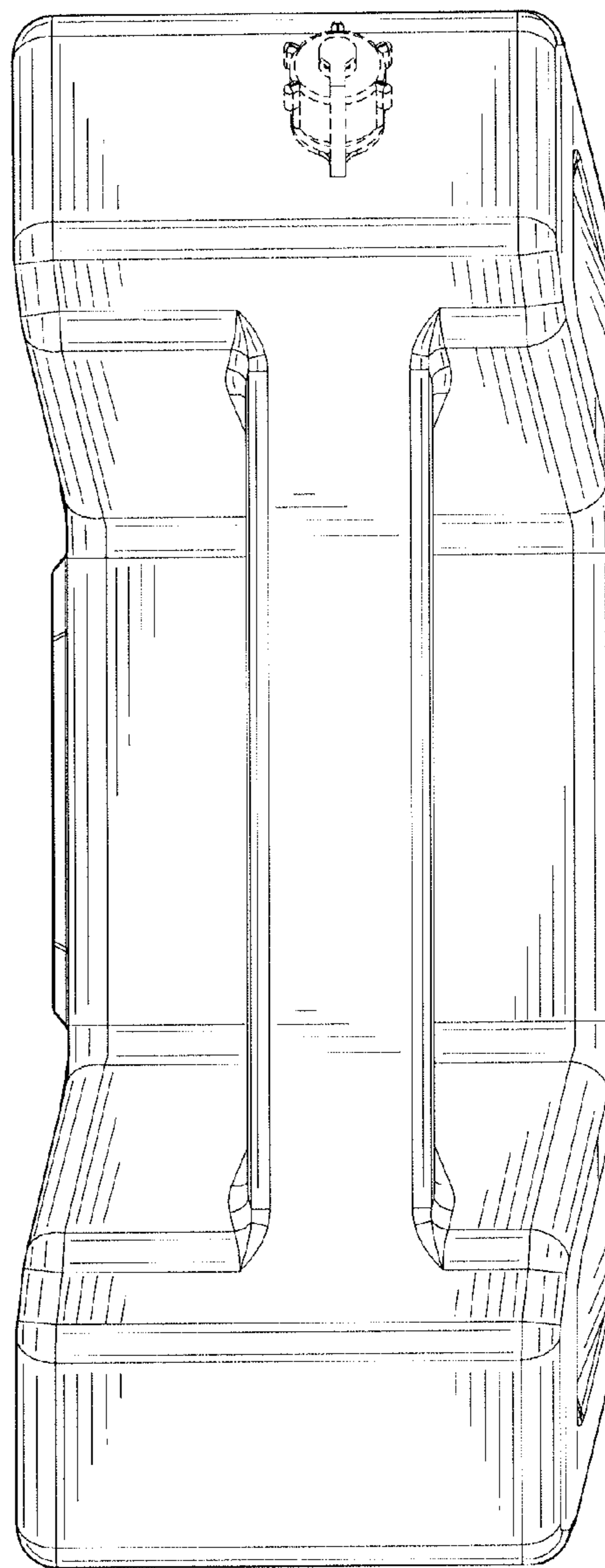


FIG. 4

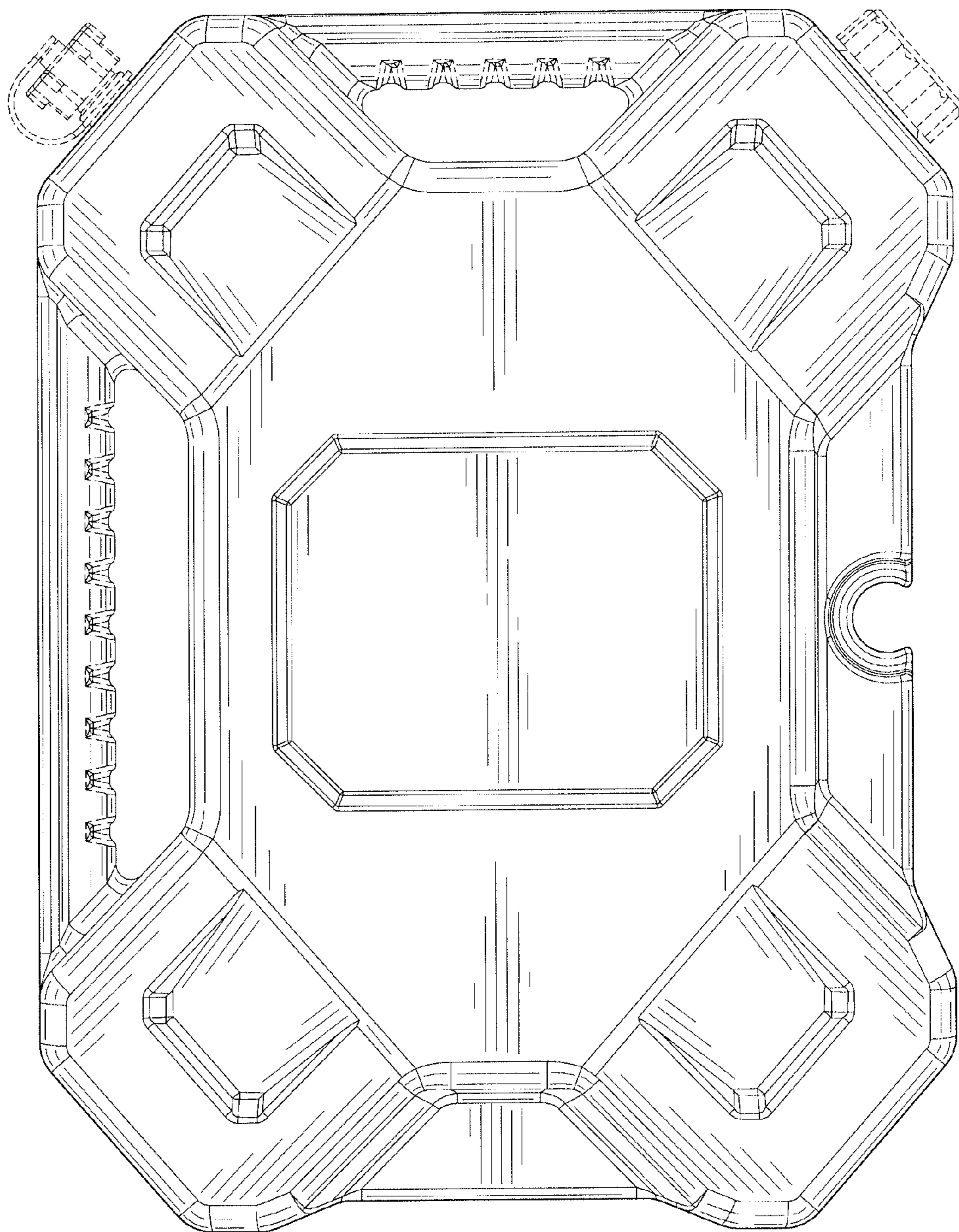


FIG. 5

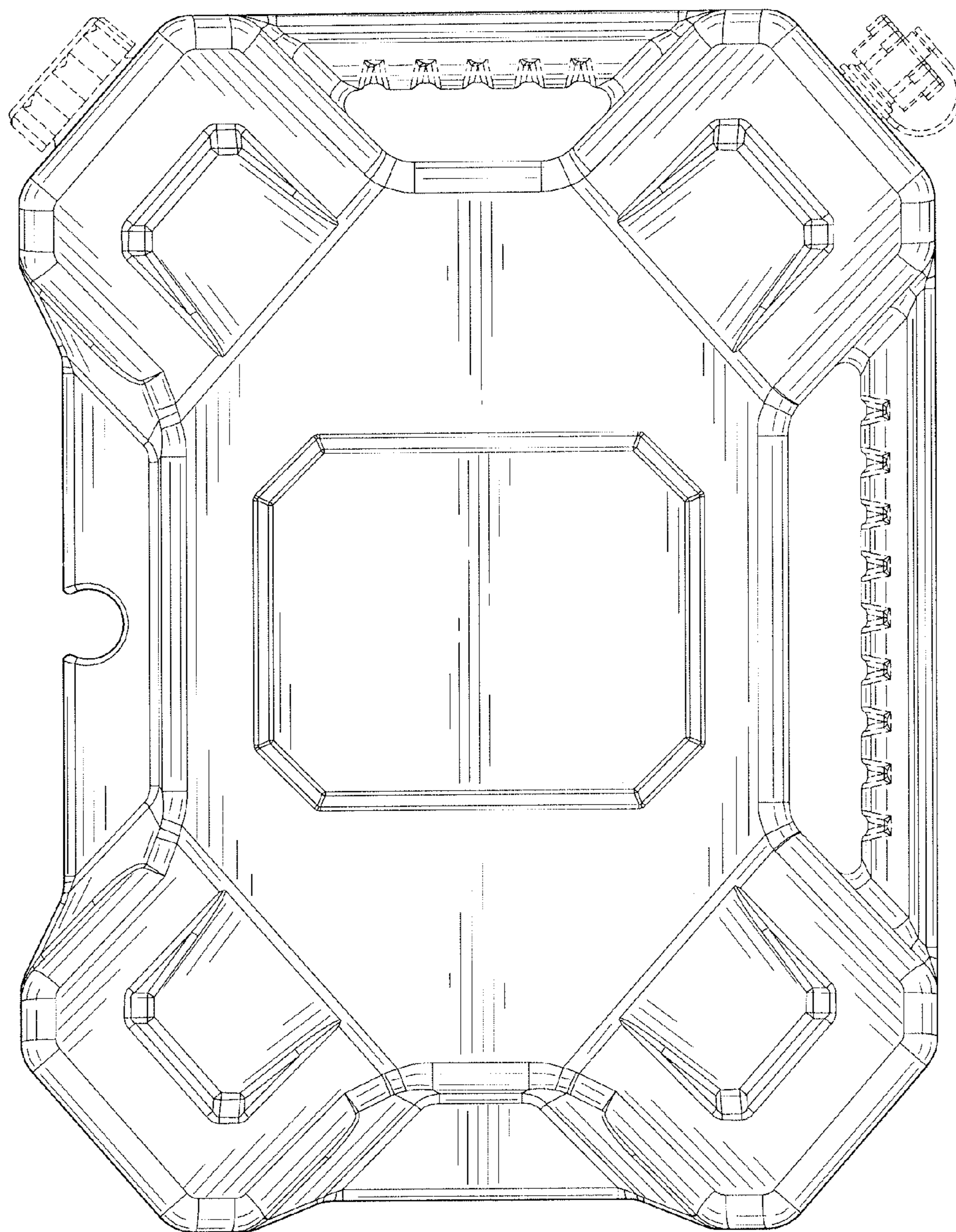


FIG. 6

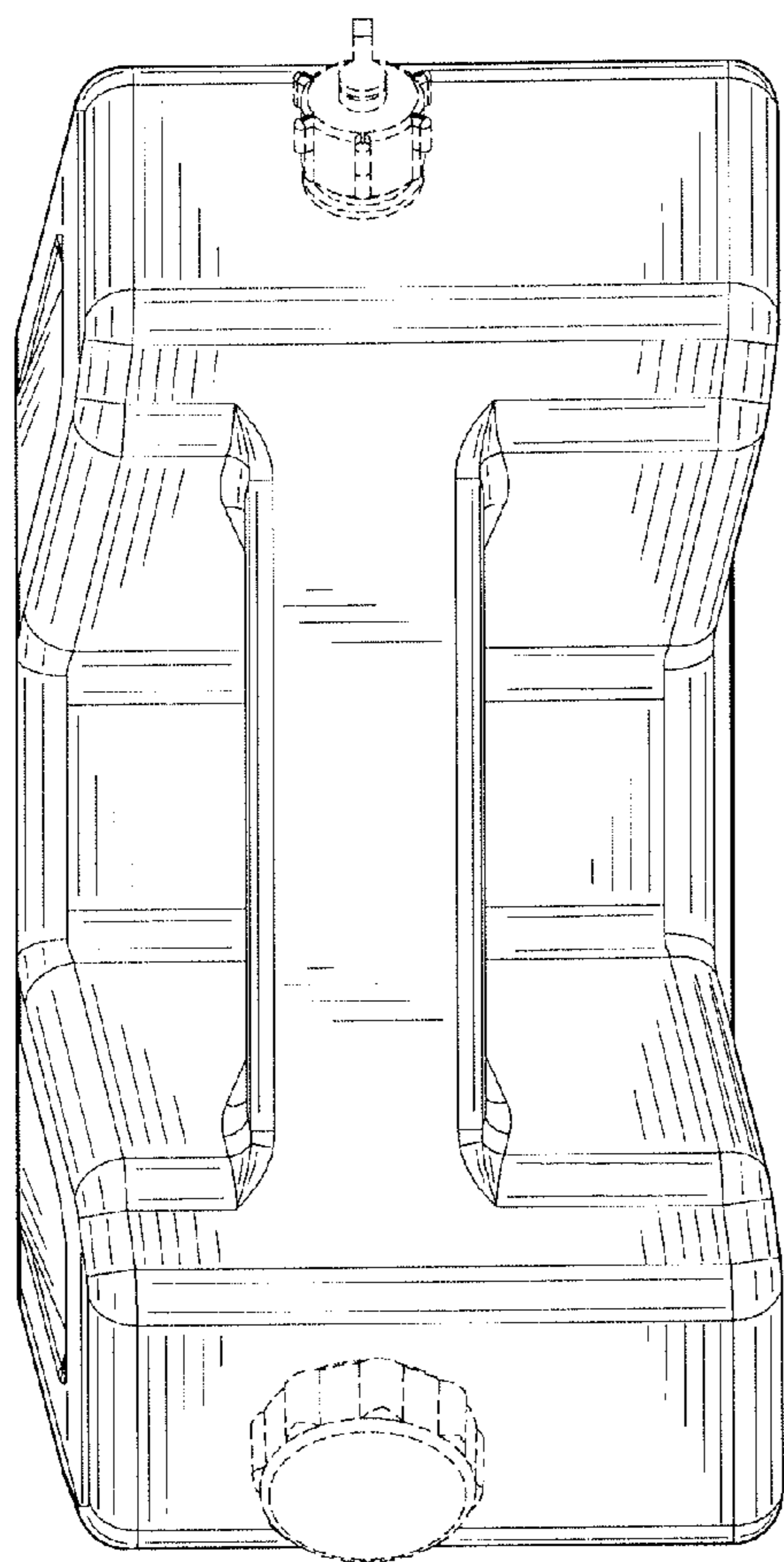


FIG. 7

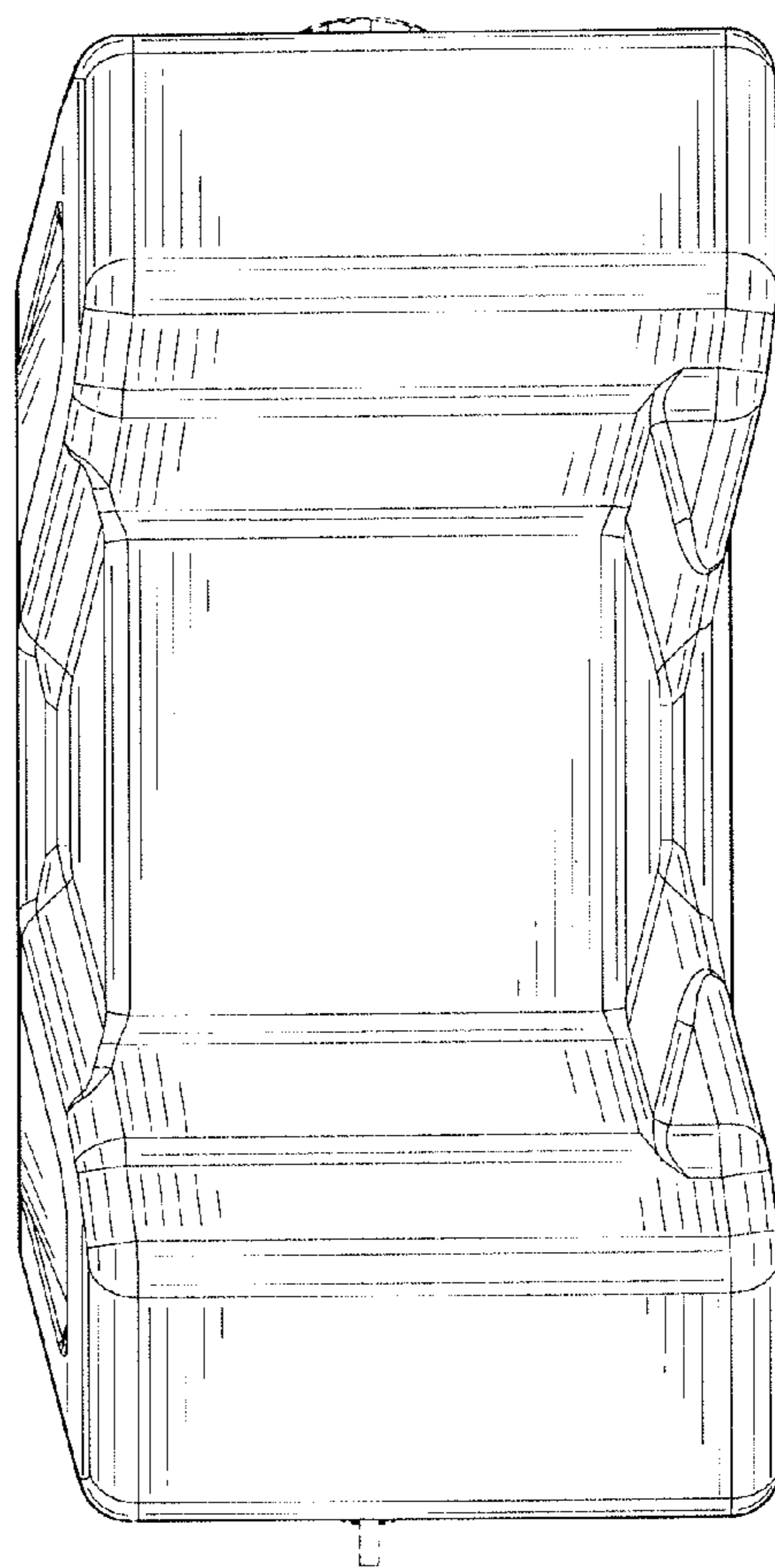


FIG. 8