



US00D761105S

(12) **United States Design Patent**
Wisniewski et al.

(10) **Patent No.:** **US D761,105 S**
(45) **Date of Patent:** **** Jul. 12, 2016**

(54) **CLOSURE**

(71) Applicant: **AptarGroup, Inc.**, Crystal Lake, IL
(US)
(72) Inventors: **John M. Wisniewski**, Waukesha, WI
(US); **Katie Karabon**, Milwaukee, WI
(US)
(73) Assignee: **AptarGroup, Inc.**, Crystal Lake, IL
(US)

(**) Term: **14 Years**

(21) Appl. No.: **29/494,160**

(22) Filed: **Jun. 18, 2014**

(51) **LOC (10) Cl.** **09-07**

(52) **U.S. Cl.**
USPC **D9/449**

(58) **Field of Classification Search**
USPC D7/392.1, 396.2; D9/435, 436, 440,
D9/443, 445, 446, 447, 448, 450, 452, 453,
D9/454

CPC B65D 47/32; B65D 47/243; B65D 83/28;
B65D 43/0212; B65D 55/024; B65D 47/0809;
B65D 2251/105

See application file for complete search history.

(56) **References Cited**

U.S. PATENT DOCUMENTS

D226,555 S * 3/1973 Weber D9/446
D240,716 S * 7/1976 Hegi D9/440
D286,027 S * 10/1986 Waher D9/435
D335,449 S * 5/1993 Appla D9/447
D470,052 S * 2/2003 Klutts D9/447
D476,232 S * 6/2003 Maus D9/435
D531,031 S * 10/2006 Lussier D9/447

D609,091 S * 2/2010 Dubach D9/438
D743,255 S * 11/2015 Niggemyer D9/435
D744,842 S * 12/2015 Llewellyn D9/449
D744,843 S * 12/2015 Llewellyn D9/449
2009/0139952 A1* 6/2009 Raman B65D 77/283
215/229
2014/0360968 A1* 12/2014 Barth B65D 41/34
215/44

* cited by examiner

Primary Examiner — Robert M Spear

(74) *Attorney, Agent, or Firm* — Wood, Phillips, Katz, Clark & Mortimer

(57) **CLAIM**

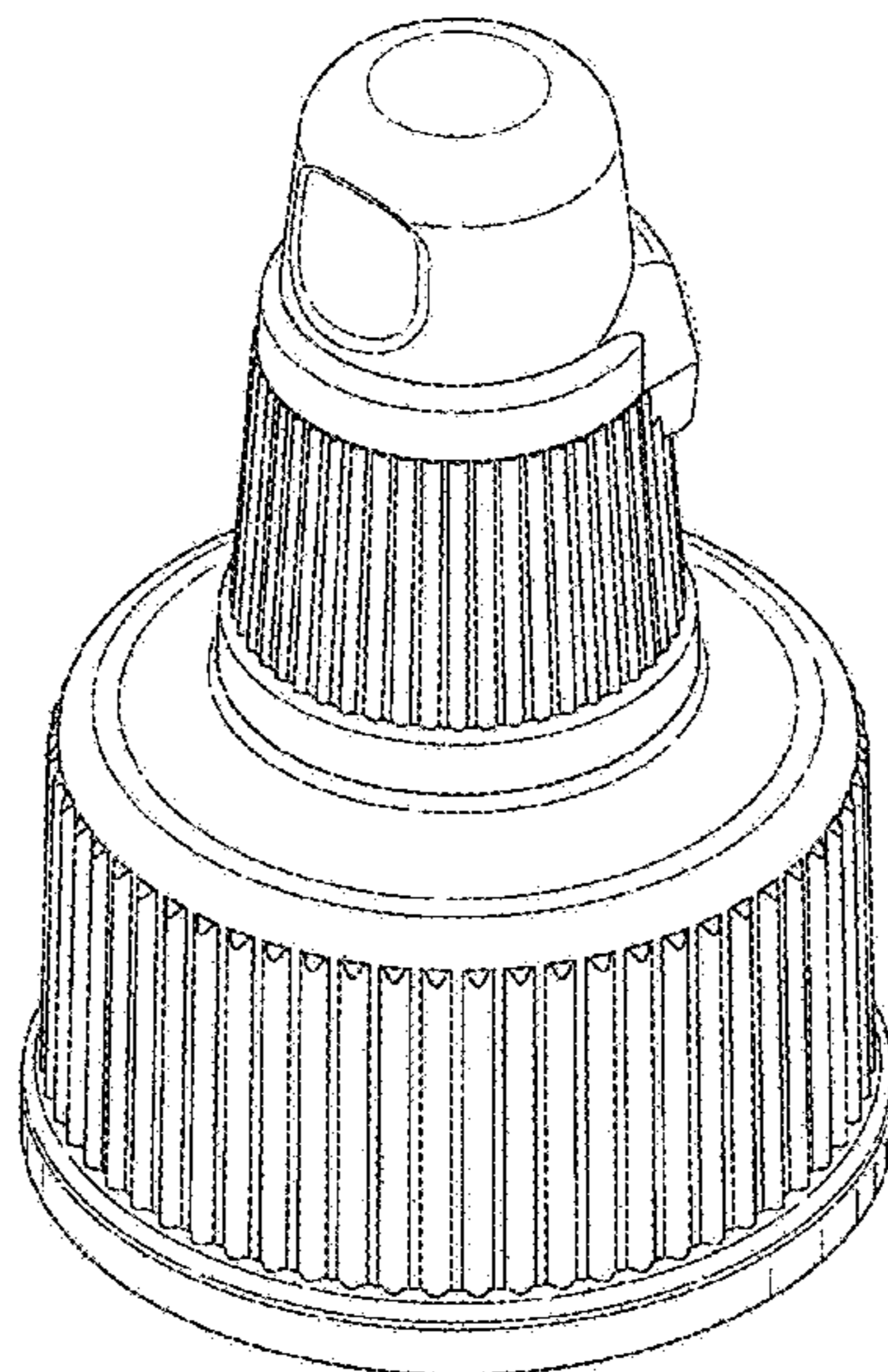
The ornamental design for a closure, as shown and described.

DESCRIPTION

FIG. 1 is an isometric view taken from the top front and right side of a closure in the closed condition;
FIG. 2 is another isometric view thereof rotated 180° from the view shown in FIG. 1;
FIG. 3 is an isometric view thereof taken from the top front and left side;
FIG. 4 is an isometric view thereof rotated 180° from the view shown in FIG. 3;
FIG. 5 is a top plan view thereof;
FIG. 6 is a front elevational view thereof;
FIG. 7 is a rear elevational view thereof; and,
FIG. 8 is a right side elevational view thereof, the left side elevational view thereof being a mirror image.
The undisclosed bottom view is unornamented, is not visible to the consumer when the closure is installed on a container (not shown), and forms no part of the claimed ornamental design.

In the drawings, the broken lines depict environmental subject matter only and form no part of the claimed design.

1 Claim, 8 Drawing Sheets



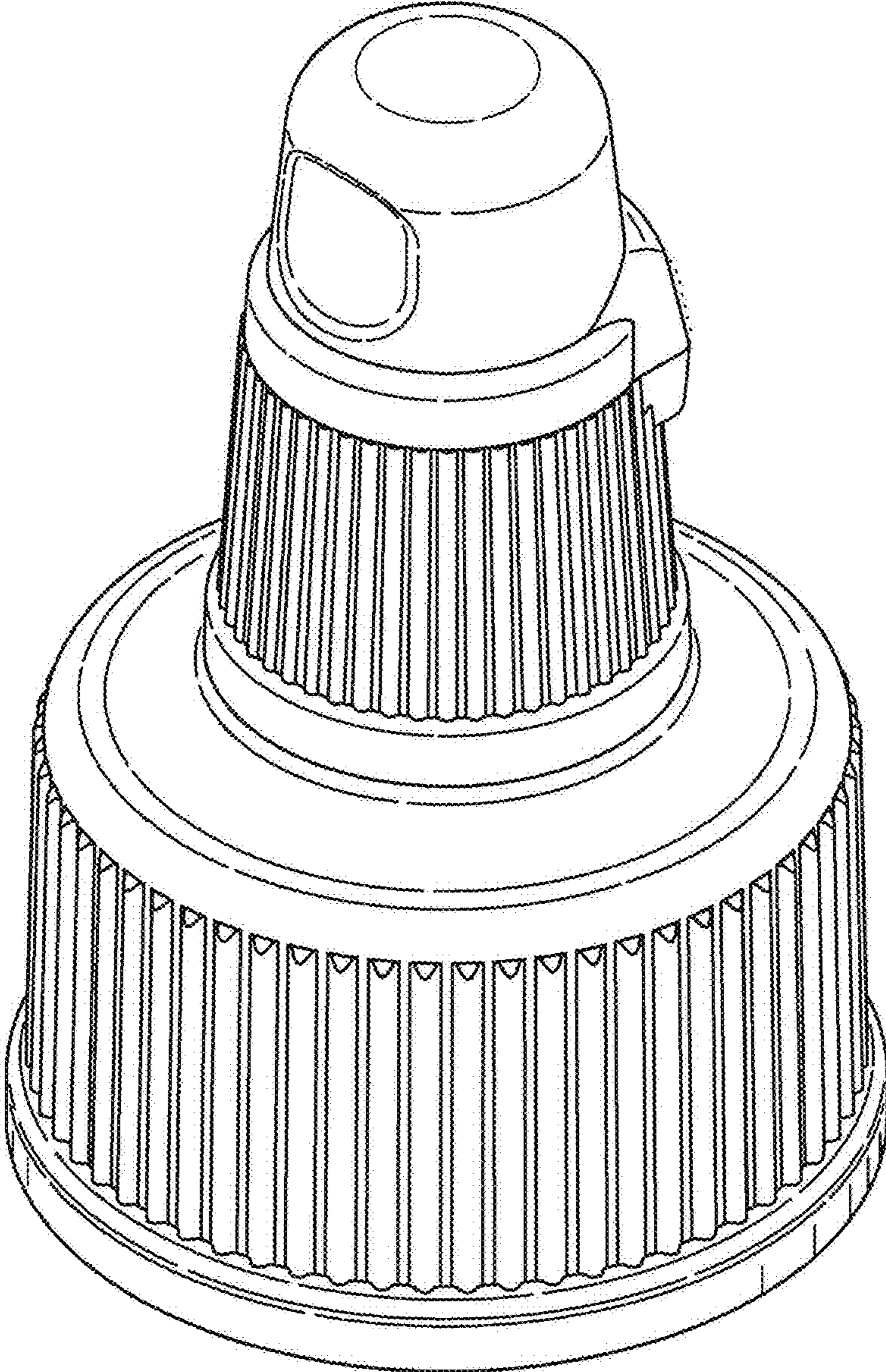


FIG. 1

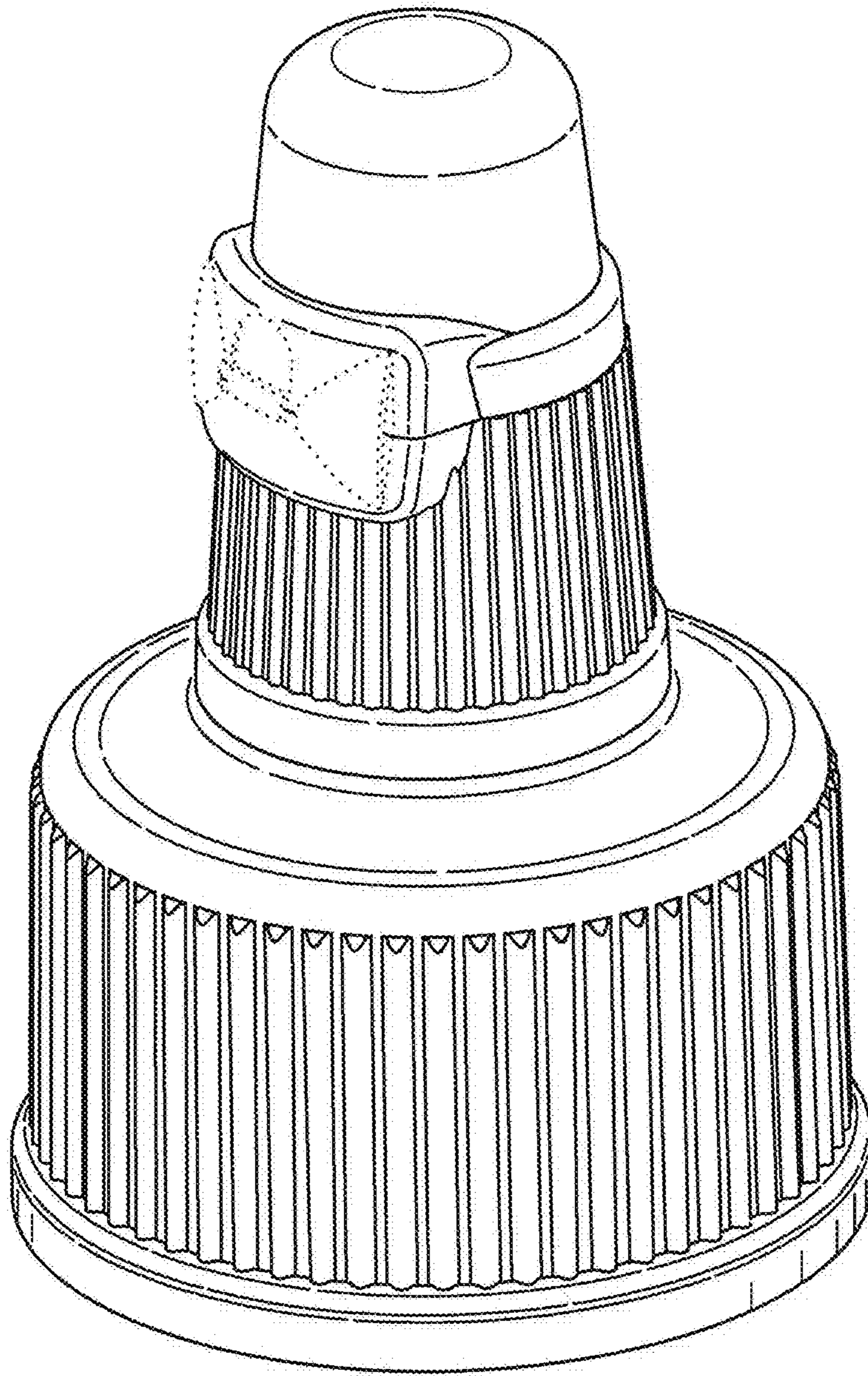


FIG. 2

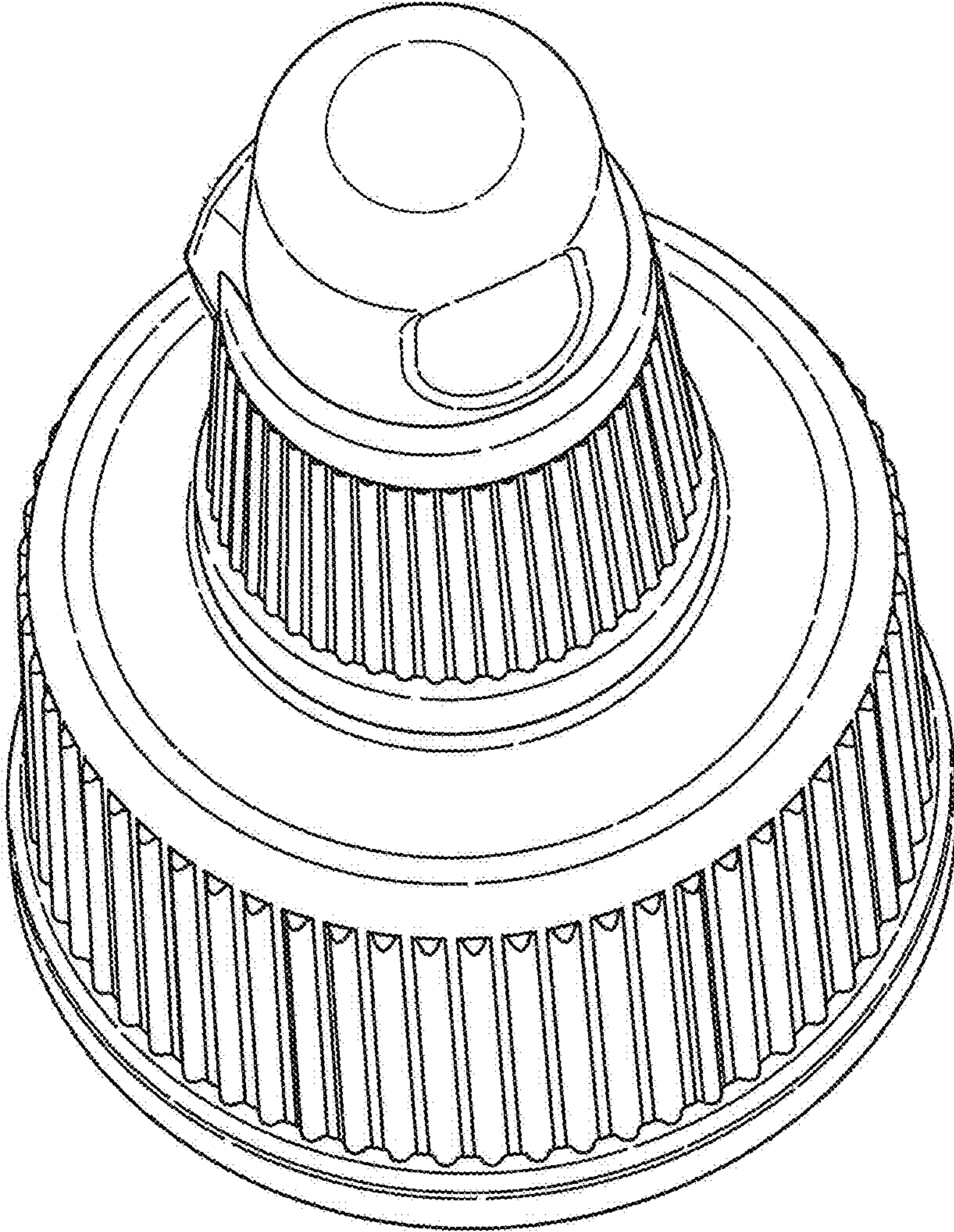


FIG. 3

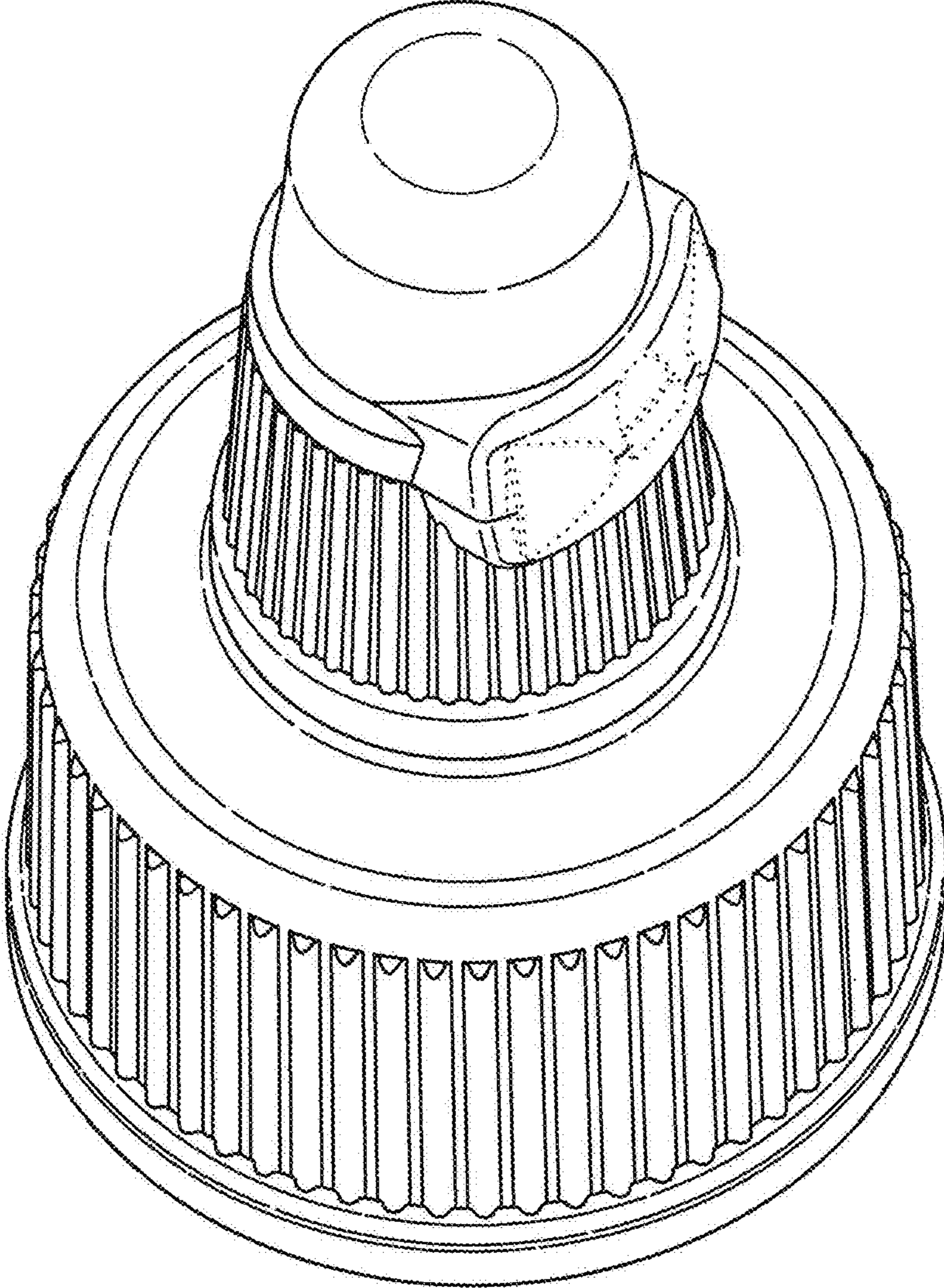


FIG. 4

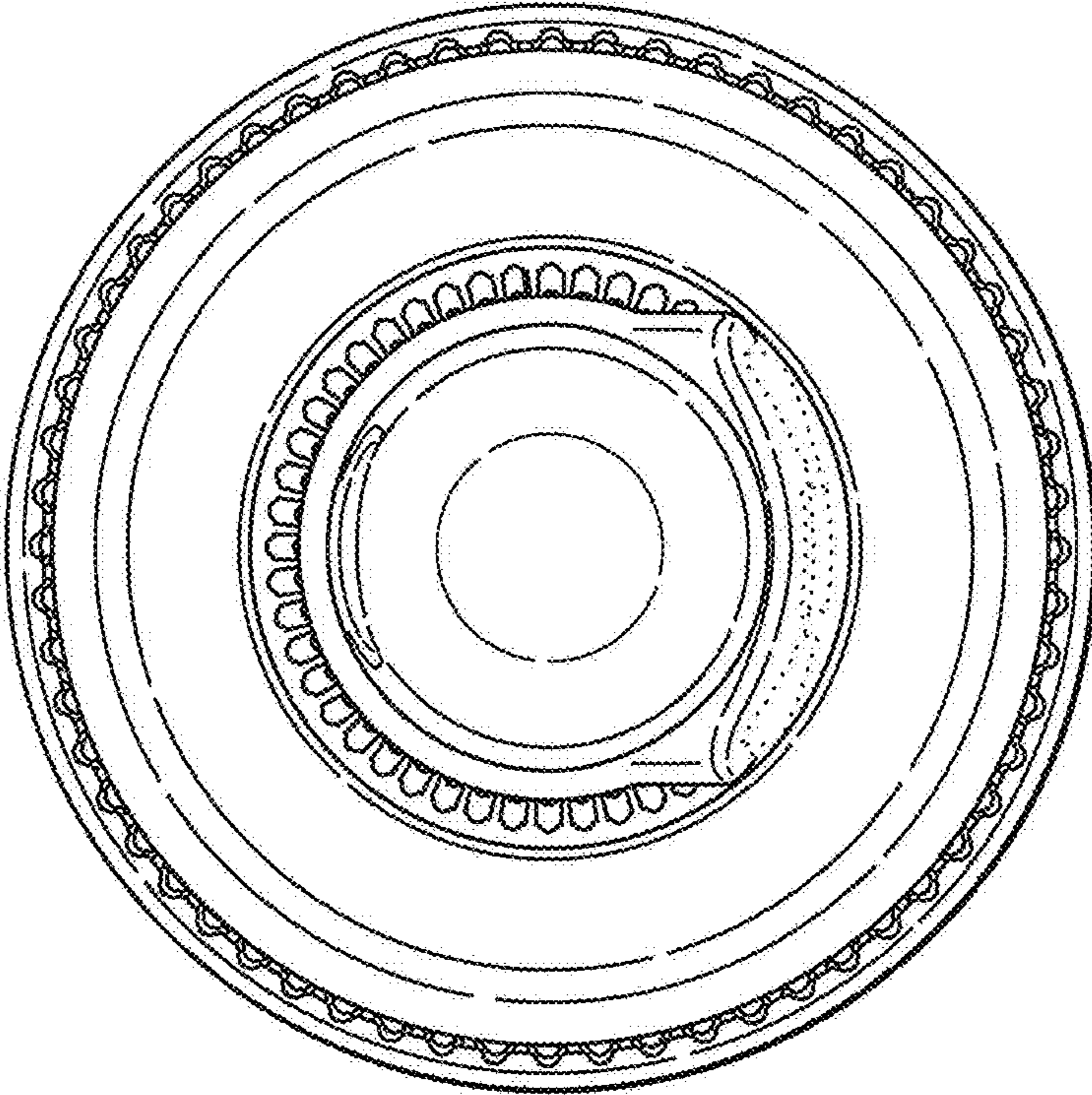


FIG. 5

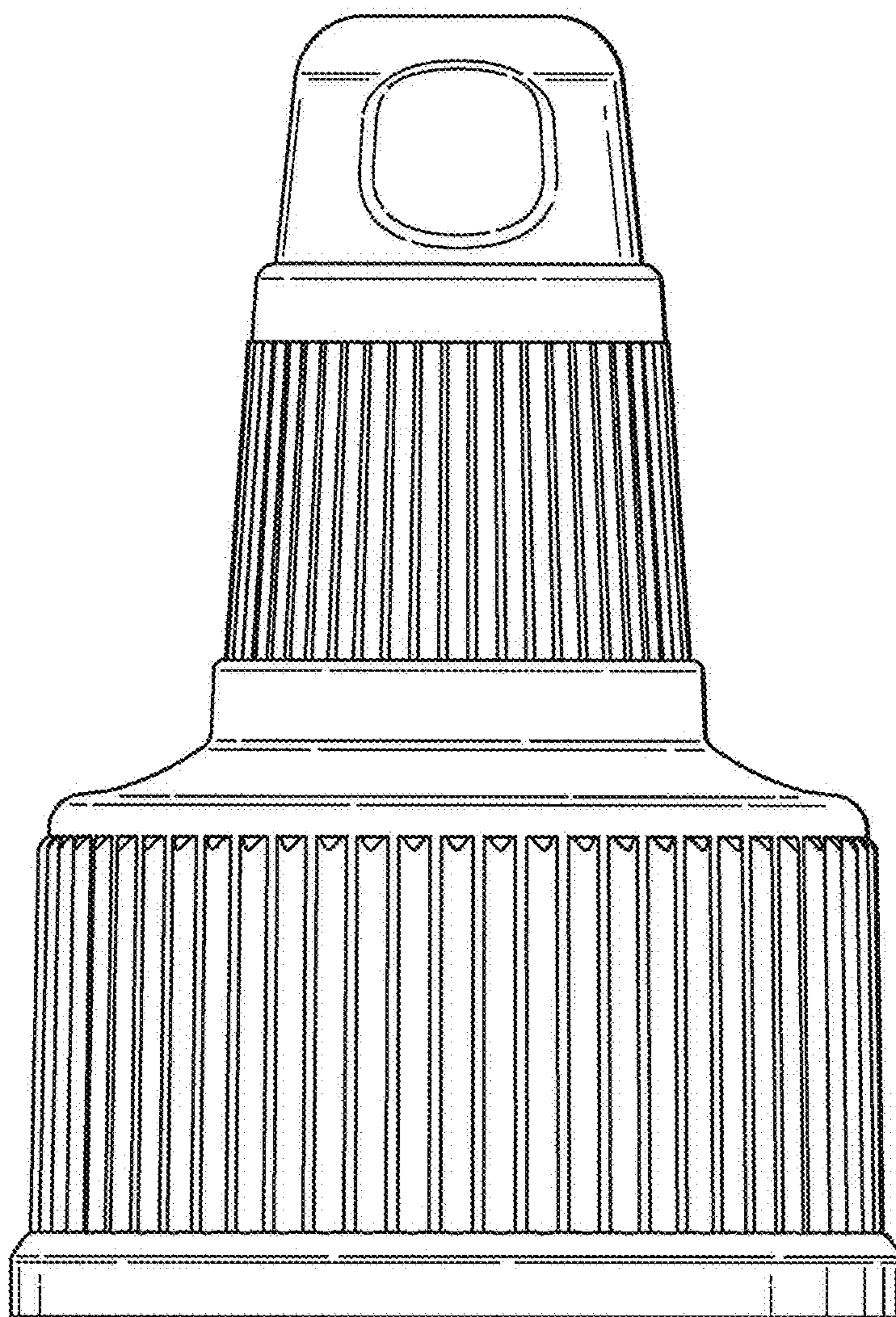


FIG. 6

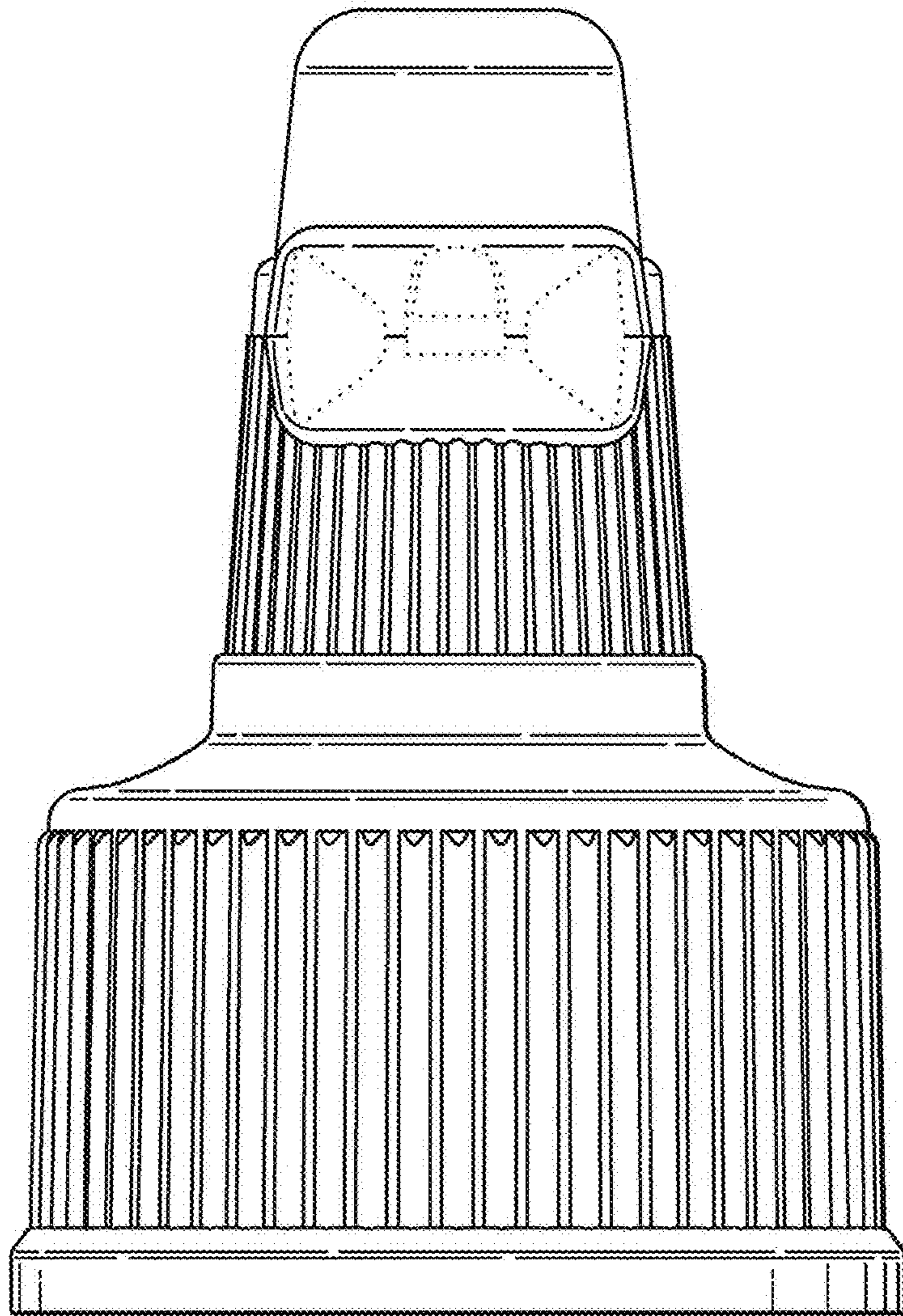


FIG. 7

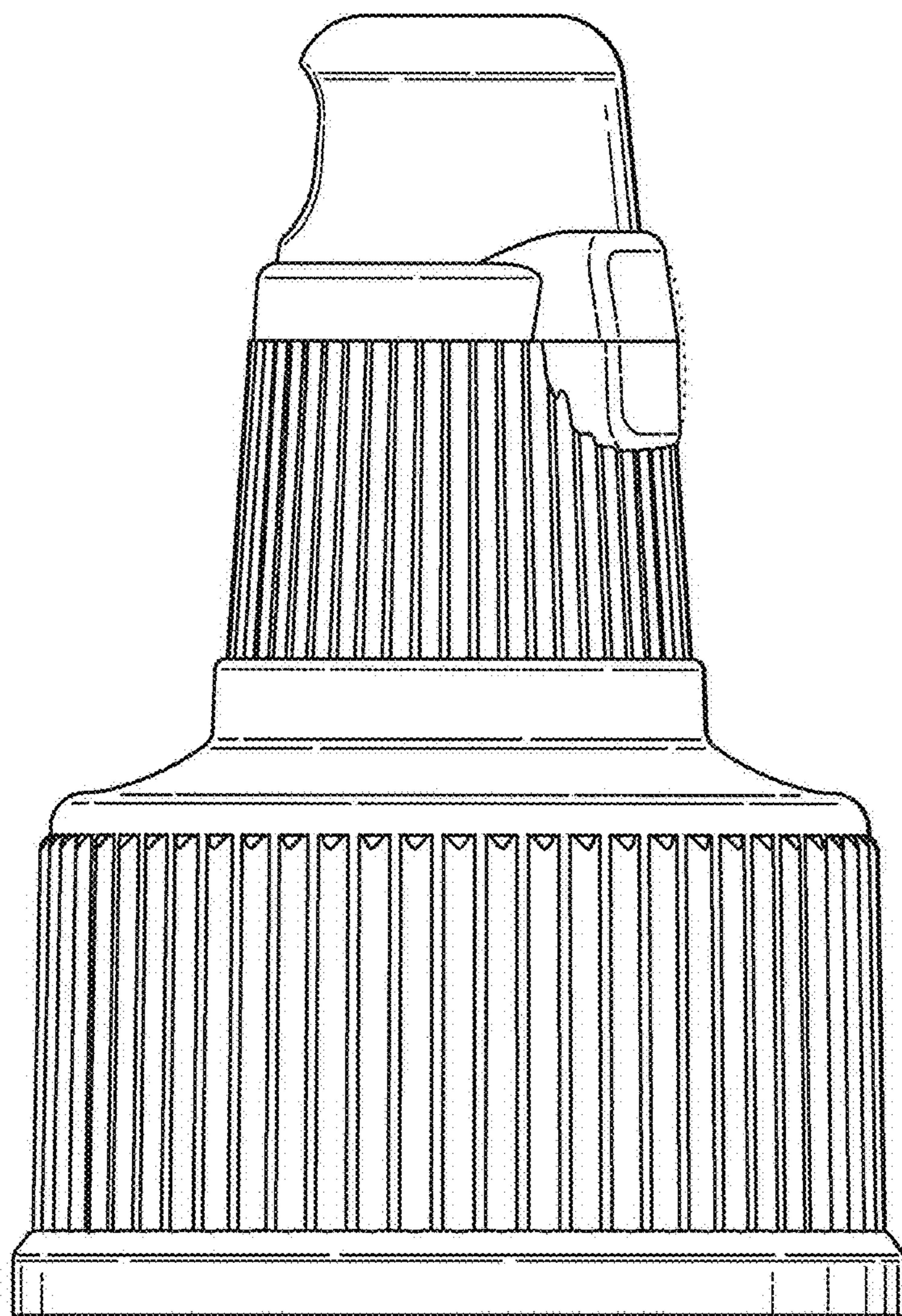


FIG. 8