



US00D761103S

(12) **United States Design Patent**
Lebon

(10) **Patent No.:** **US D761,103 S**
(45) **Date of Patent:** **** Jul. 12, 2016**

(54) **CONTAINER**

(71) Applicant: **Clariant Productions (France) SAS,**
Trosly Breuil (FR)

(72) Inventor: **Jacquy Lebon,** Challands (FR)

(73) Assignee: **Clariant Production (France) SAS,**
Trosly Breuil (FR)

(**) Term: **14 Years**

(21) Appl. No.: **29/490,108**

(22) Filed: **May 6, 2014**

(30) **Foreign Application Priority Data**

Nov. 7, 2013 (EM) 002340752

(51) **LOC (10) Cl.** **09-07**

(52) **U.S. Cl.**
USPC **D9/447**

(58) **Field of Classification Search**
USPC D7/300, 316, 387, 396.2, 397, 510;
D8/352, 399; D9/420, 428, 429,
D9/434-436, 440, 443, 439, 444-447, 449,
D9/450-454, 456, 499, 503, 504, 549, 715,
D9/717, 718, 728, 738, 741; D23/260,
D23/269, 390; D24/224; 99/275; 215/252;
220/212, 371, 530, 608, 711, 713, 839;
426/394
CPC A47J 31/0689; B29C 45/14
See application file for complete search history.

(56) **References Cited**

U.S. PATENT DOCUMENTS

1,841,691 A * 1/1932 Wilson B60K 15/03504
220/371
D279,651 S 7/1985 Freeman
4,550,844 A 11/1985 Lininger

D291,971 S * 9/1987 Smith D9/447
4,981,230 A 1/1991 Marshall et al.
D401,115 S 11/1998 Huang
6,056,136 A 5/2000 Taber et al.
D427,069 S 6/2000 Carter
D473,791 S * 4/2003 Loris D9/438
D527,812 S * 9/2006 Brown D23/390
D530,205 S 10/2006 Lohrman

(Continued)

FOREIGN PATENT DOCUMENTS

WO D067982-001 4/2006
WO D069747-001 2/2008
WO D070355-002 7/2008

OTHER PUBLICATIONS

U.S. Appl. No. 29/471,208, filed Oct. 29, 2013, Logel et al.
(Continued)

Primary Examiner — Robert M Spear
Assistant Examiner — Darcey E Heflin
(74) *Attorney, Agent, or Firm* — Knobbe, Martens, Olson &
Bear LLP

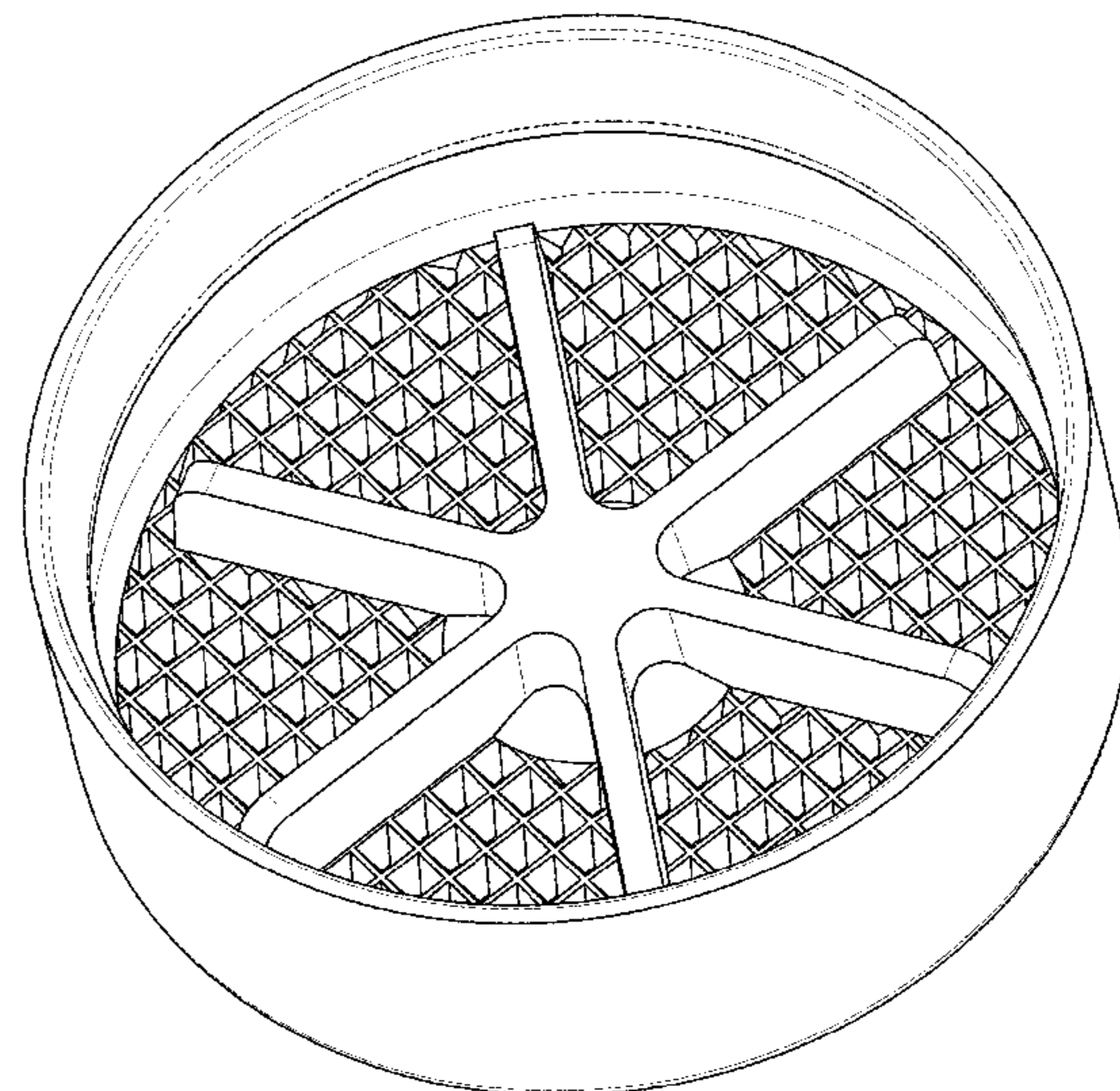
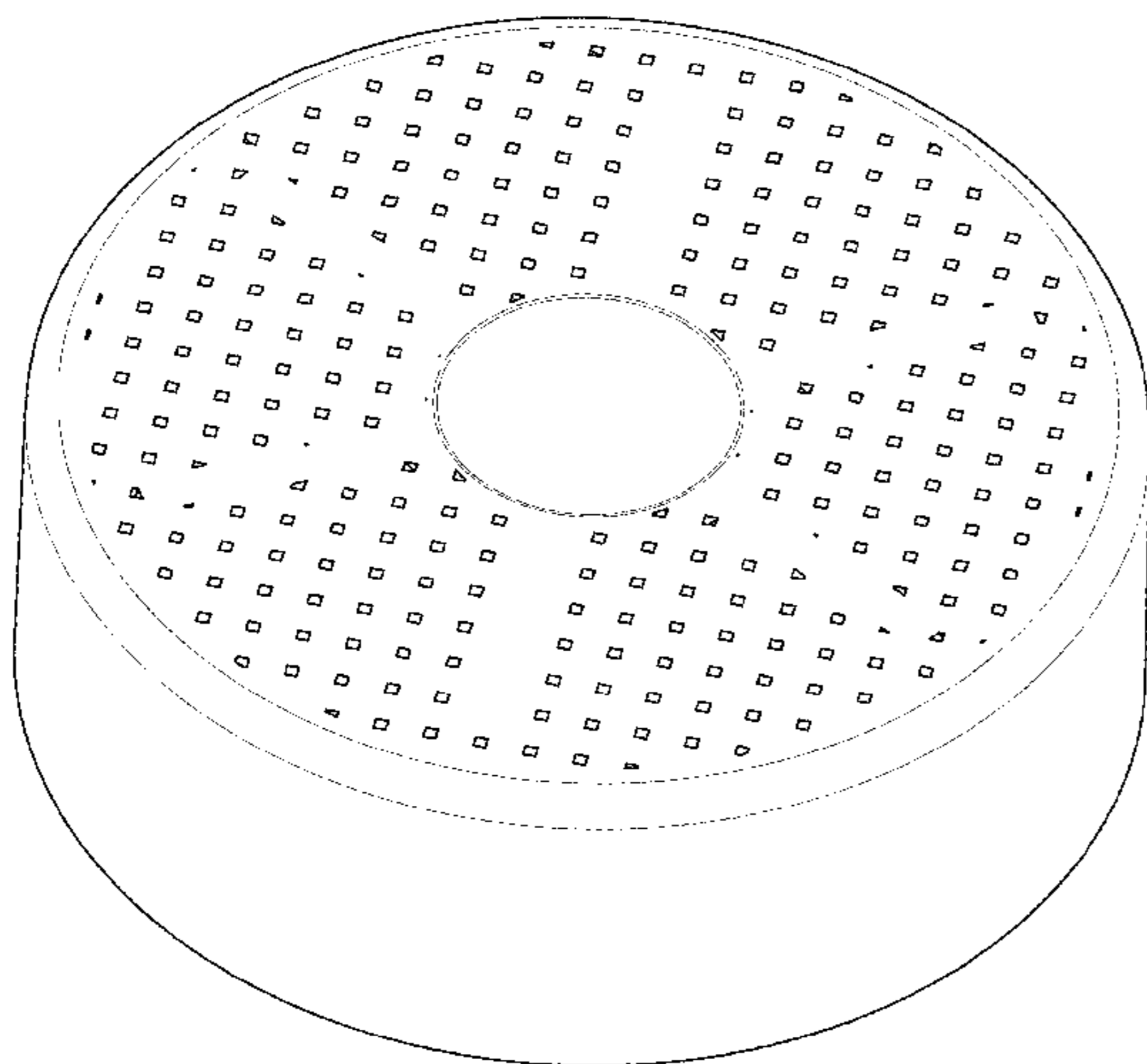
(57) **CLAIM**

The ornamental design for a container, as shown and described.

DESCRIPTION

FIG. 1 is a side view of a container;
FIG. 2 is a top view of the design of FIG. 1;
FIG. 3 is a bottom view of the design of FIG. 1;
FIG. 4 is a cross sectional view of the design of FIG. 2, in the direction of line 4-4;
FIG. 5 is a cross sectional view of the design of FIG. 3, in the direction of line 5-5;
FIG. 6 is a top perspective view of the design of FIG. 2; and,
FIG. 7 is a bottom perspective view of the design of FIG. 3.

1 Claim, 7 Drawing Sheets



(56)

References Cited

U.S. PATENT DOCUMENTS

D547,602 S * 7/2007 Yamasaki D7/387
 D553,981 S * 10/2007 Harre D9/435
 D561,582 S * 2/2008 Nottingham D9/434
 D576,257 S * 9/2008 Rattenbury D23/260
 D599,655 S 9/2009 Friebe et al.
 D604,608 S 11/2009 Lourenco
 D610,008 S 2/2010 Baughmann
 D637,903 S * 5/2011 Ghiotti D9/428
 D641,628 S 7/2011 Baughmann
 D644,337 S 8/2011 Belfance et al.
 D644,739 S 9/2011 Belfance et al.
 D644,740 S 9/2011 John et al.
 D653,734 S * 2/2012 Sisk D23/269
 D654,366 S 2/2012 Presche et al.
 D673,246 S * 12/2012 Lee D23/260
 D677,567 S * 3/2013 Groves D9/444
 D694,100 S 11/2013 Schneider et al.

D729,010 S 5/2015 Logel et al.
 2005/0252878 A1 11/2005 Babcock
 2007/0186779 A1* 8/2007 Fung A47J 31/0689
 99/275
 2010/0224646 A1 9/2010 Incorvia et al.
 2010/0282783 A1 11/2010 Baughmann et al.

OTHER PUBLICATIONS

U.S. Appl. No. 29/490,099, filed May 6, 2014, Lebon.
 U.S. Appl. No. 29/490,104, filed May 6, 2014, Lebon.
 U.S. Appl. No. 29/489,583, filed Apr. 30, 2014, Logel et al.
 U.S. Appl. No. 29/503,018, filed Sep. 22, 2014, Bois.
 U.S. Appl. No. 29/503,016, filed Sep. 22, 2014, Bois.
 U.S. Appl. No. 29/506,432, filed Oct. 15, 2014, Logel et al.
 U.S. Appl. No. 29/506,437, filed Oct. 15, 2014, Logel et al.
 U.S. Appl. No. 29/507,653, filed Oct. 29, 2014, Logel et al.
 U.S. Appl. No. 29/512,222, filed Dec. 17, 2014, Bois.
 U.S. Appl. No. 29/518,762, filed Feb. 26, 2015, Lebon.

* cited by examiner

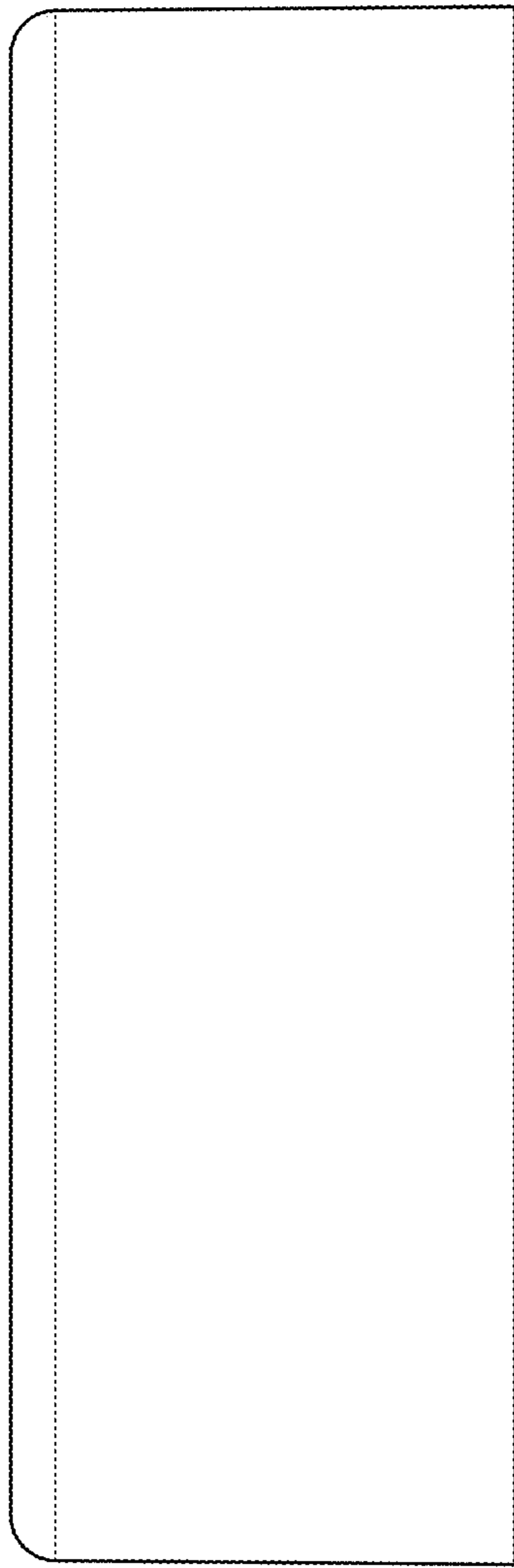


FIG. 1

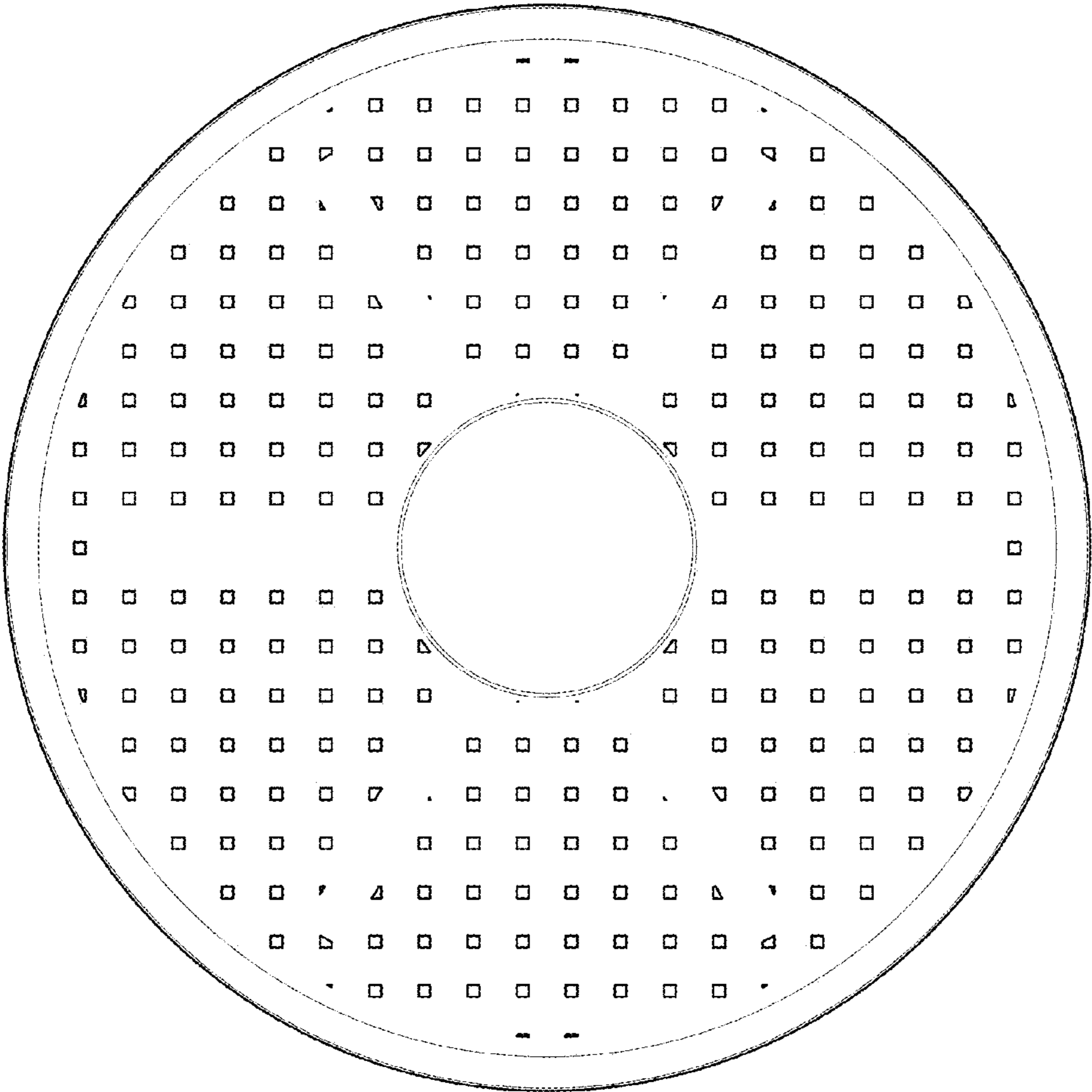


FIG. 2

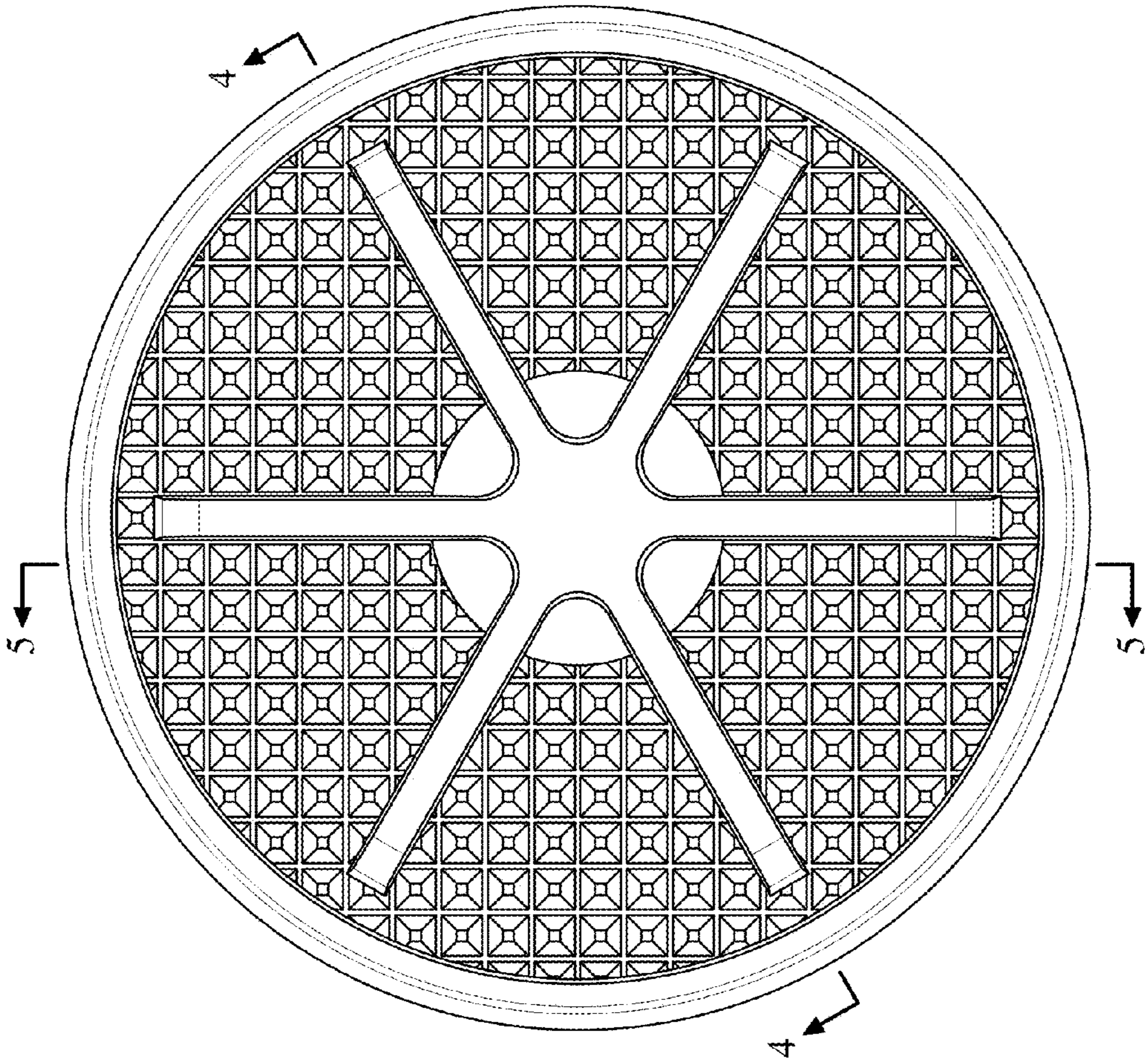


FIG. 3

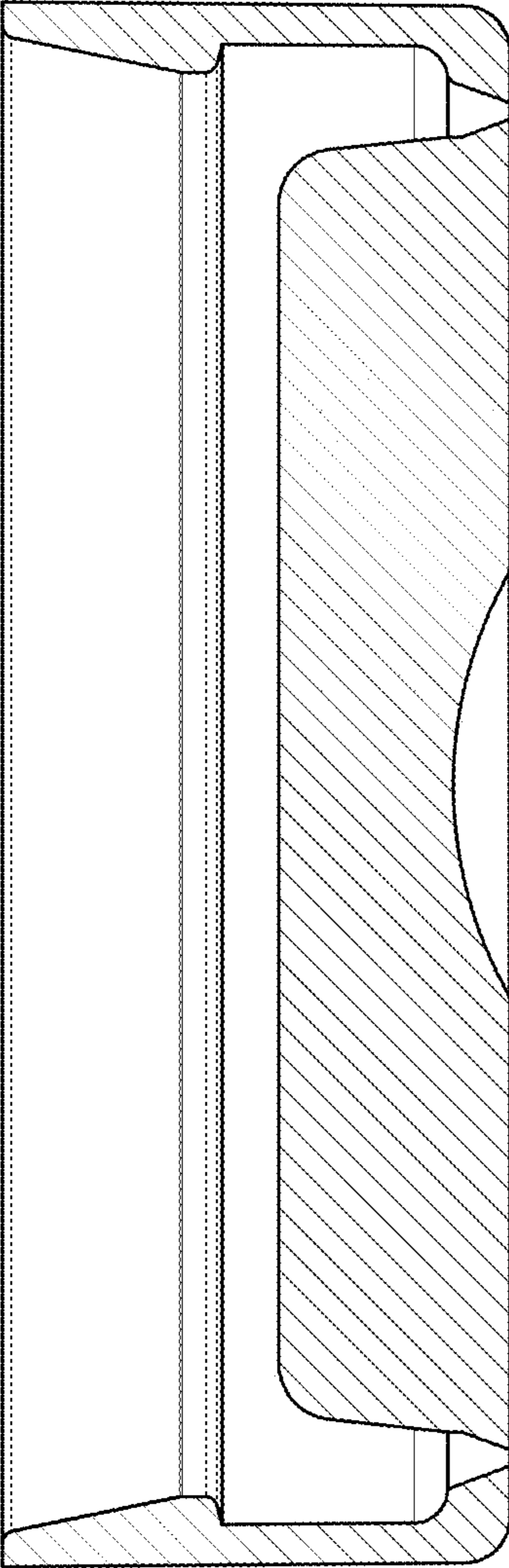


FIG. 4

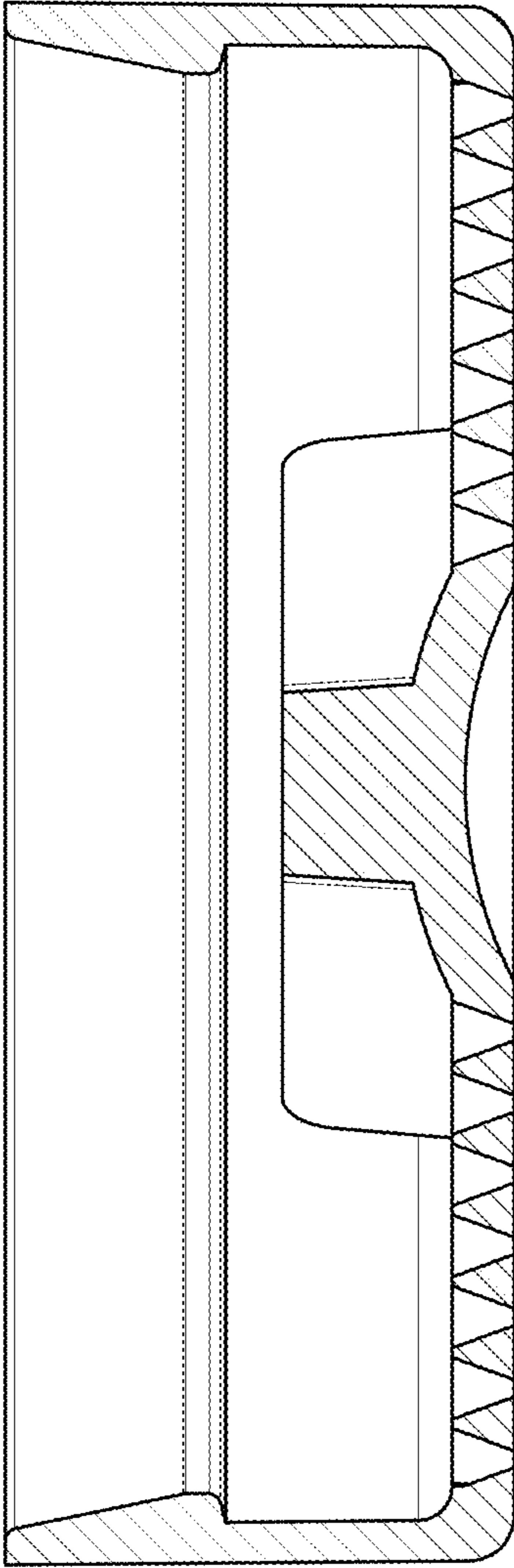


FIG. 5

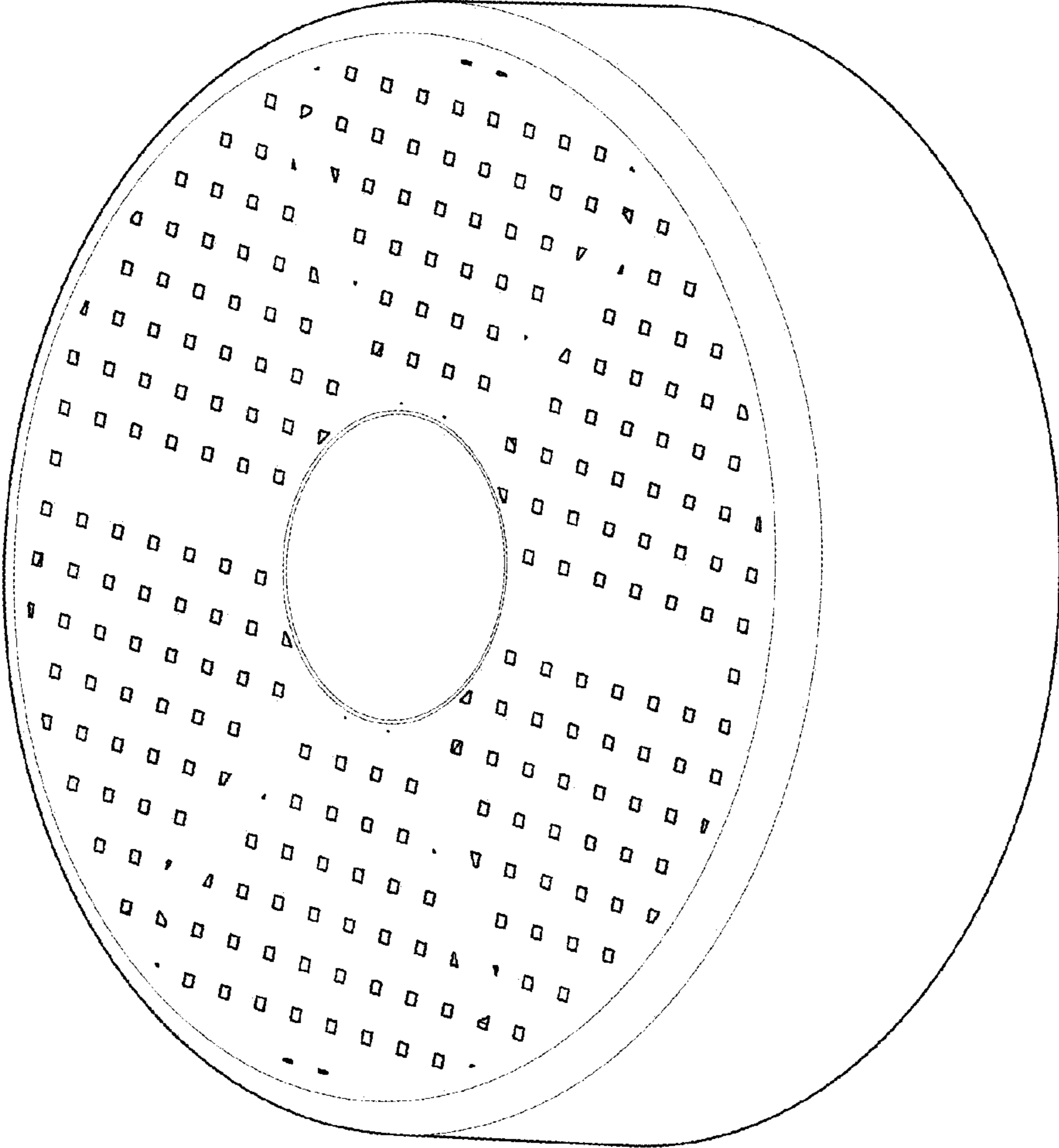


FIG. 6

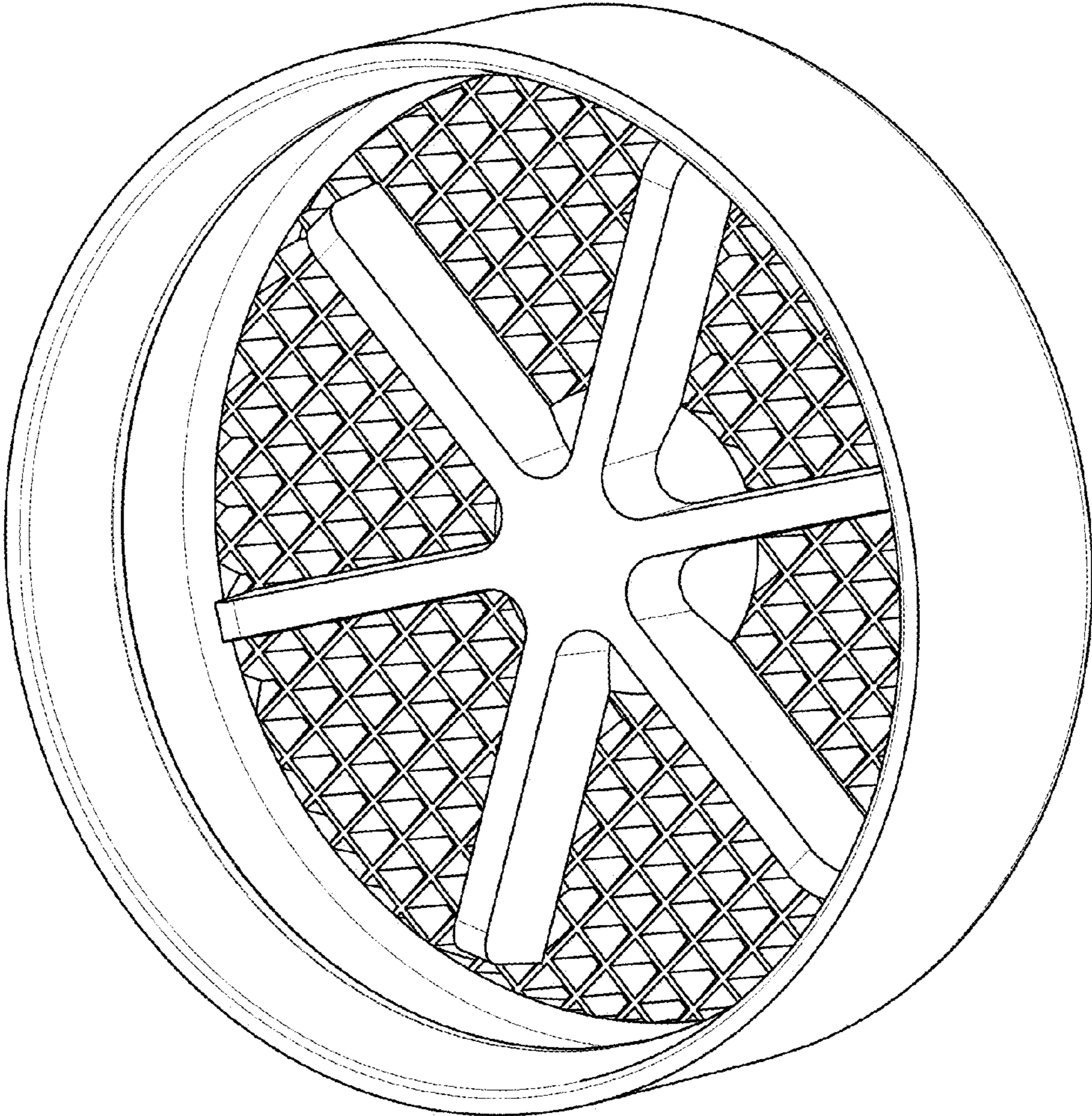


FIG. 7