



US00D761102S

(12) **United States Design Patent**  
**Hagl**

(10) **Patent No.:** **US D761,102 S**  
(45) **Date of Patent:** **\*\* Jul. 12, 2016**

(54) **HYGIENE CAP**

(71) Applicant: **Peter Hagl**, Stallikon (CH)

(72) Inventor: **Peter Hagl**, Stallikon (CH)

(73) Assignee: **VASEMA DIAGNOSTICS AG**, Zürich (CH)

(\*\*) Term: **14 Years**

(21) Appl. No.: **29/469,976**

(22) Filed: **Oct. 16, 2013**

(30) **Foreign Application Priority Data**

Apr. 17, 2013	(EM)	002222075-0007
Apr. 17, 2013	(EM)	002222075-0008
Apr. 17, 2013	(EM)	002222075-0009
Apr. 17, 2013	(EM)	002222075-0010
Apr. 17, 2013	(EM)	002222075-0011
Apr. 17, 2013	(EM)	002222075-0012

(51) **LOC (10) Cl.** ..... **09-01**

(52) **U.S. Cl.**  
USPC ..... **D9/445**

(58) **Field of Classification Search**  
USPC ..... D9/434, 436, 454, 499; 215/10;  
220/380, 781  
CPC ..... B65D 47/46; B65D 47/56; B65D 41/62  
See application file for complete search history.

(56) **References Cited**

**U.S. PATENT DOCUMENTS**

D189,557 S *	1/1961	Soffer	.....	D9/453
D194,716 S *	2/1963	Edell	.....	D9/436
D204,783 S *	5/1966	Johnson	.....	D7/531
4,170,316 A *	10/1979	LaBarbera	.....	220/799
D276,700 S *	12/1984	Brown et al.	.....	D9/436
4,624,378 A *	11/1986	Sawicki	.....	215/230

D289,379 S *	4/1987	DeVaughn	.....	D9/452
D307,111 S *	4/1990	Green	.....	D9/741
D311,330 S *	10/1990	Hamamura	.....	D9/428
D331,013 S *	11/1992	Hamamura	.....	D9/428
5,267,685 A *	12/1993	Sorensen	.....	206/503
D349,076 S *	7/1994	Weder et al.	.....	D11/164
D361,734 S *	8/1995	Weder et al.	.....	D11/164

(Continued)

*Primary Examiner* — Robert M Spear

(74) *Attorney, Agent, or Firm* — Henry M. Feiereisen LLC;  
Ursula B. Day

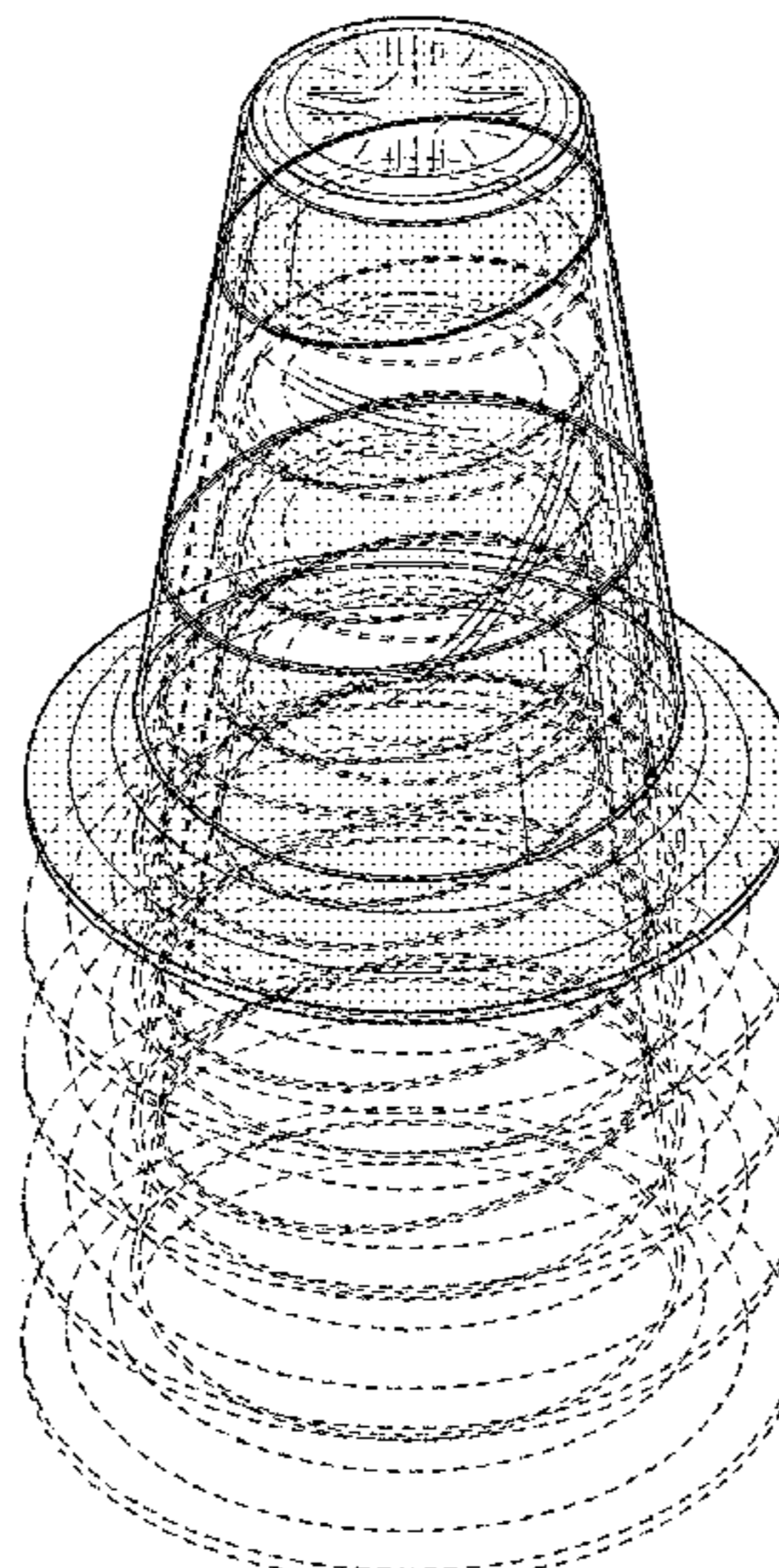
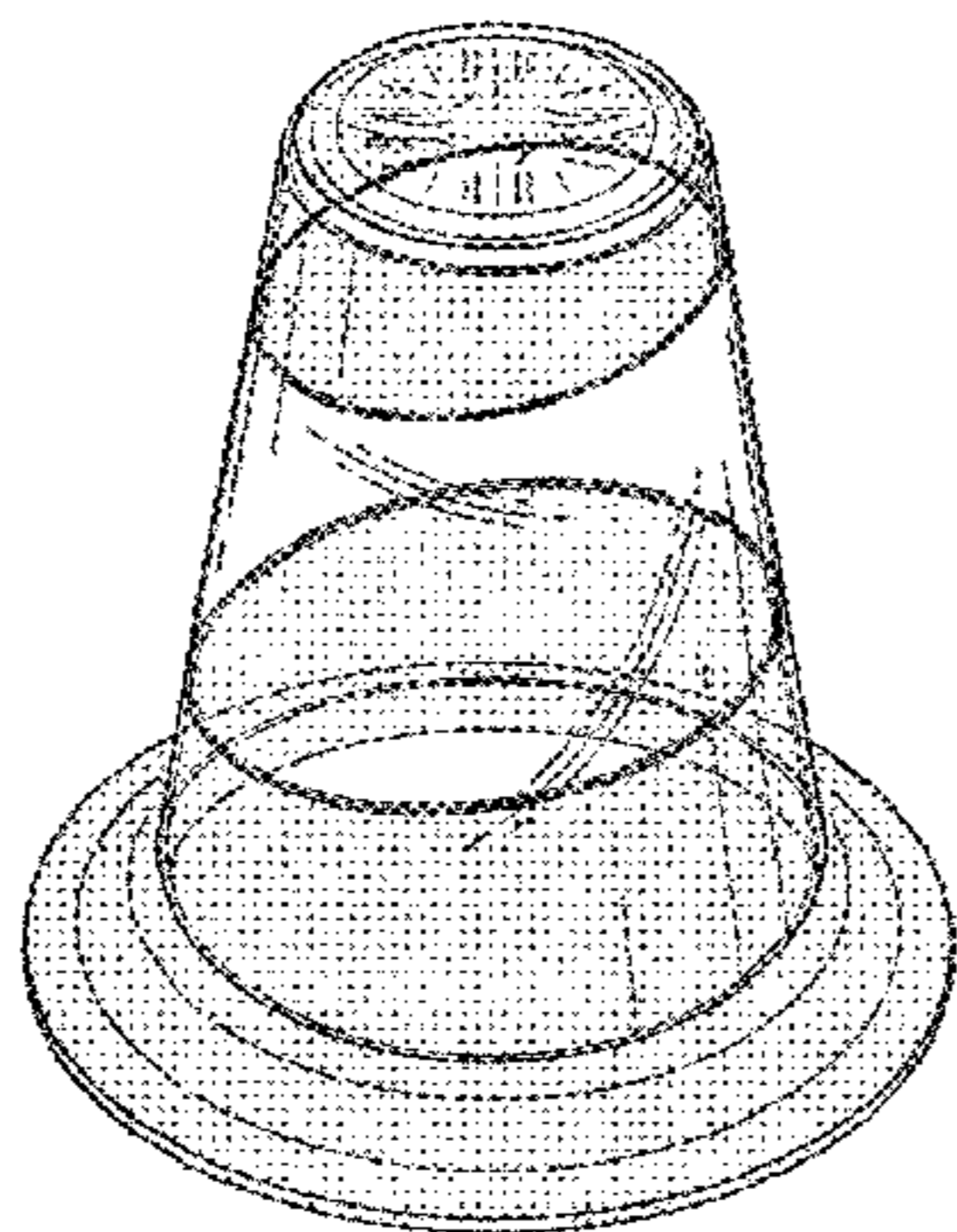
(57) **CLAIM**

The ornamental design for a hygiene cap, as shown and described.

**DESCRIPTION**

FIG. 1 is a front elevational view showing my new design; FIG. 2 is a left side elevational view thereof, the right side being a mirror image thereof; FIG. 3 is a rear elevational view thereof; FIG. 4 is a front elevational view of the same design as FIG. 1, but showing the soft top bulged outward; FIG. 5 is a top plan view thereof; FIG. 6 is a bottom plan view thereof; and FIG. 7 is a perspective view of thereof; FIG. 8 is a front elevational view of my new design shown as part of a stack; FIG. 9 is a side elevational view of the stack of FIG. 8; FIG. 10 is a rear elevational view of the stack of FIG. 8; FIG. 11 is a front elevational view of the stack of FIG. 8 showing the soft top bulged outward; FIG. 12 is a top plan view of the stack of FIG. 8; FIG. 13 is a bottom plan view of the stack of FIG. 8; and, FIG. 14 is a top front perspective view of the stack of FIG. 8. In the drawings, the broken lines are for the purposes of illustrating environment only and form no part of the claimed design.

**1 Claim, 5 Drawing Sheets**



(56)

References Cited

U.S. PATENT DOCUMENTS

D365,518 S *	12/1995	Wysocki	.....	D9/445
D386,410 S *	11/1997	Mahlmann	.....	D9/445
D410,874 S *	6/1999	Zastudil	.....	D12/606
D447,949 S *	9/2001	Richardson	.....	D9/448
6,528,105 B1 *	3/2003	Gerhart et al.	.....	426/394
D511,385 S *	11/2005	Lieberman et al.	.....	D24/197
7,140,504 B1 *	11/2006	Baron	.....	215/6
D552,992 S *	10/2007	Spencer	.....	D9/454
D584,150 S *	1/2009	Gibson et al.	.....	D9/453
D595,537 S *	7/2009	Mansfield et al.	.....	D7/396.1
D615,400 S *	5/2010	Usui et al.	.....	D9/454
D624,412 S *	9/2010	Jenkins	.....	D9/445
D641,624 S *	7/2011	Mongeon et al.	.....	D9/444
D649,051 S *	11/2011	Mongeon et al.	.....	D9/444
D658,984 S *	5/2012	Pauser et al.	.....	D9/435
D707,555 S *	6/2014	Vogel et al.	.....	D9/436
2003/0111468 A1 *	6/2003	Kao	.....	220/212
2007/0058692 A1 *	3/2007	Huang et al.	.....	374/209
2009/0050595 A1 *	2/2009	Lackey	.....	215/10

\* cited by examiner

FIG. 1

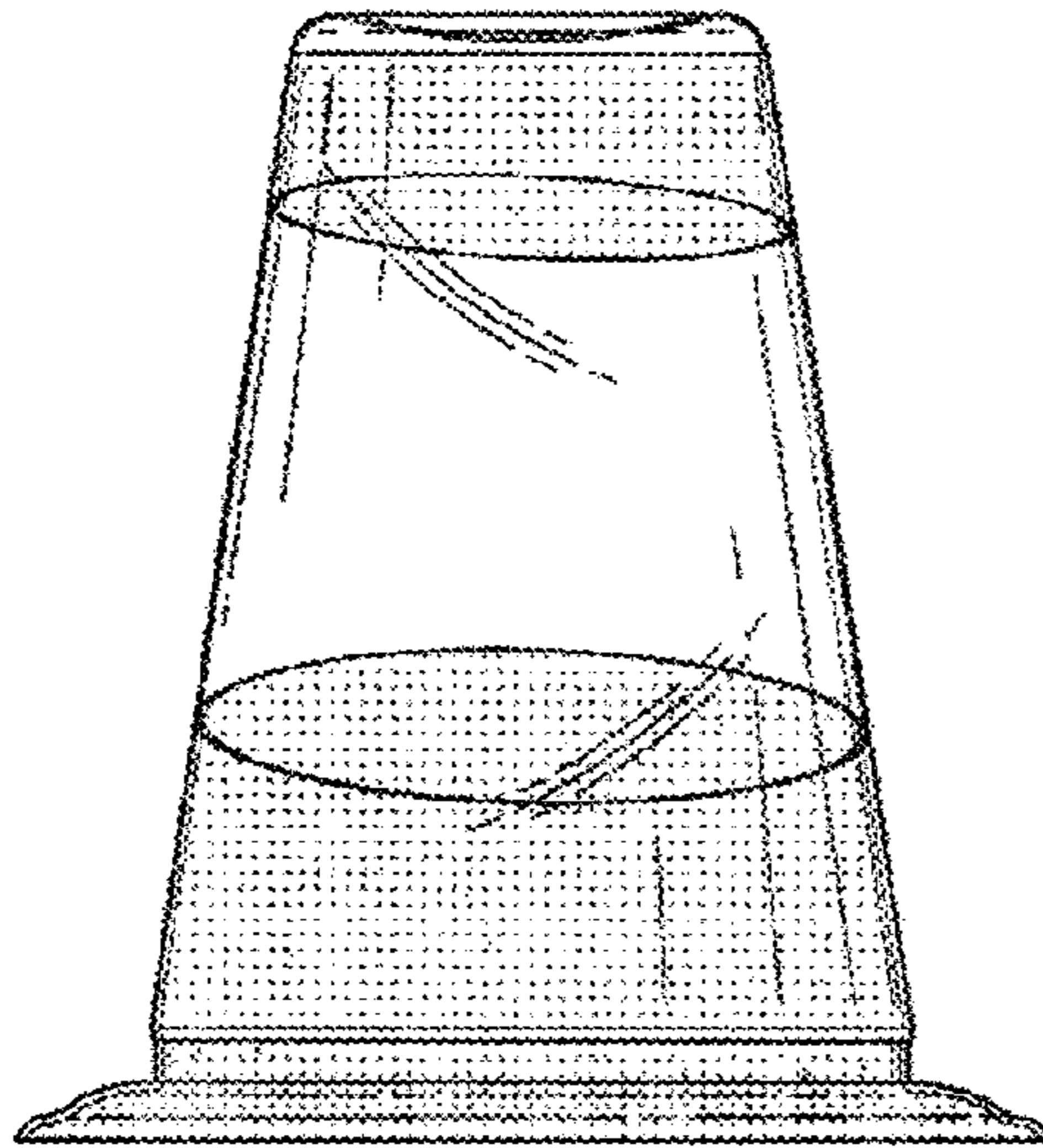


FIG. 2

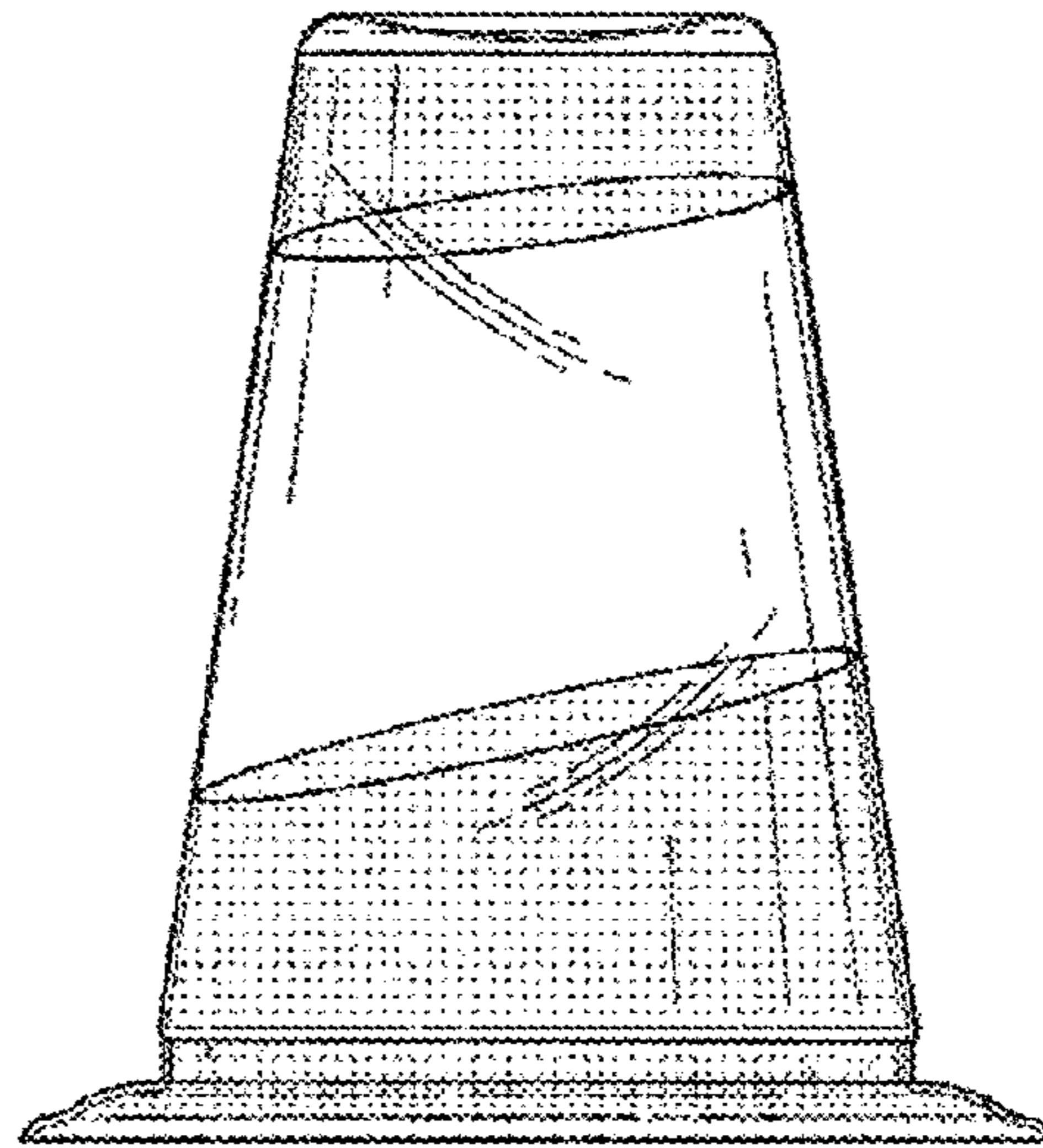


FIG. 3

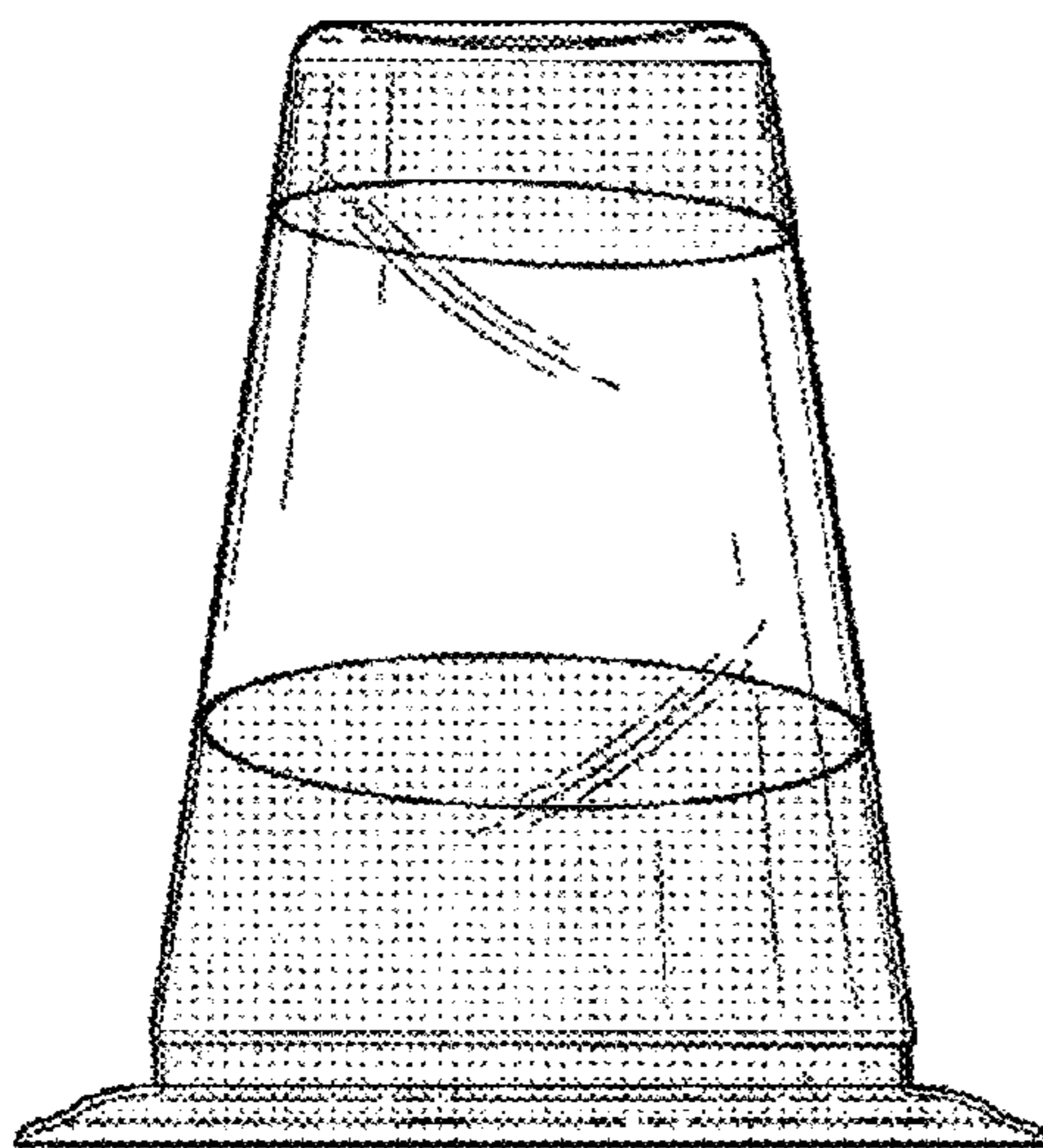


FIG. 4

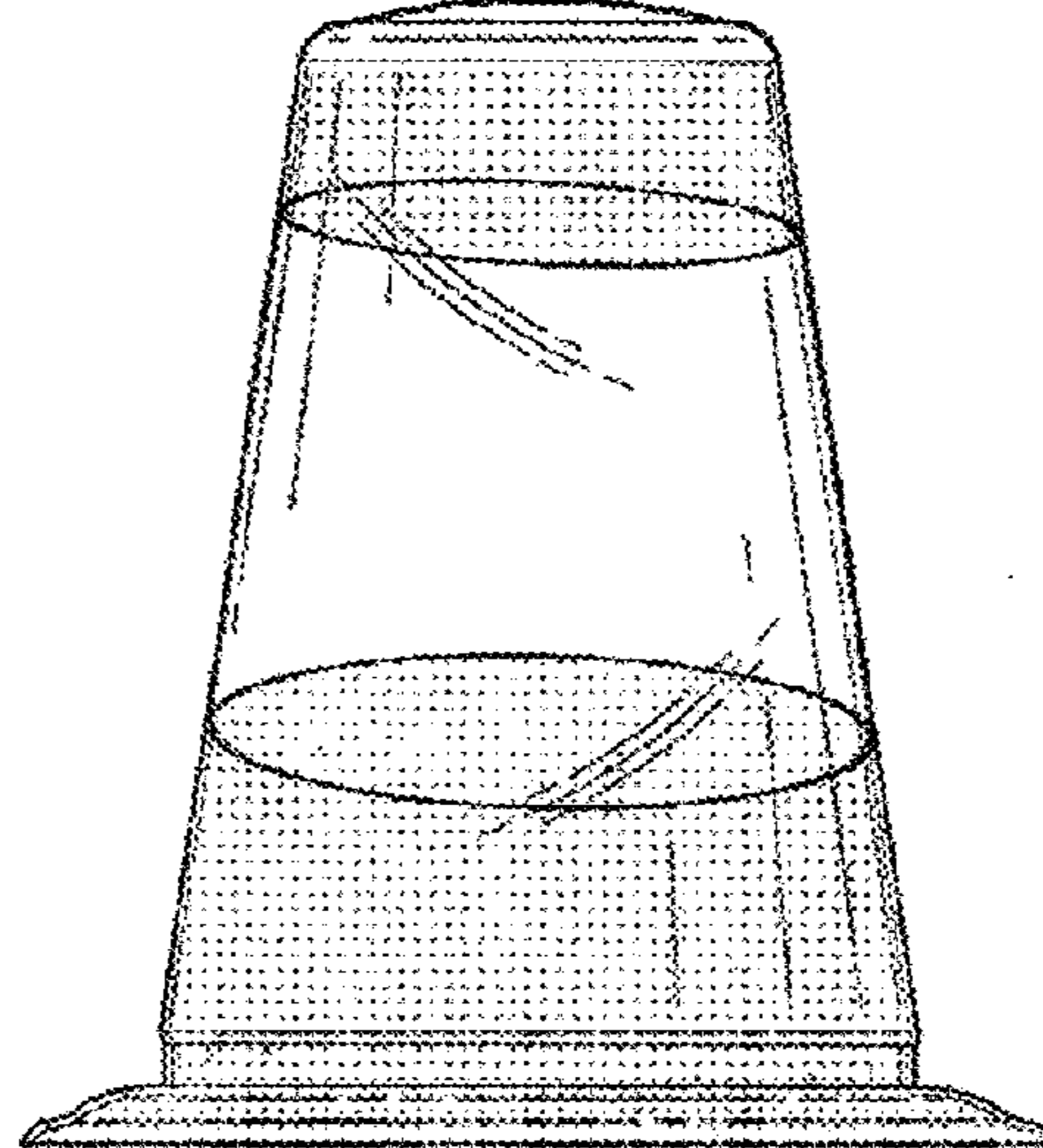


FIG. 5

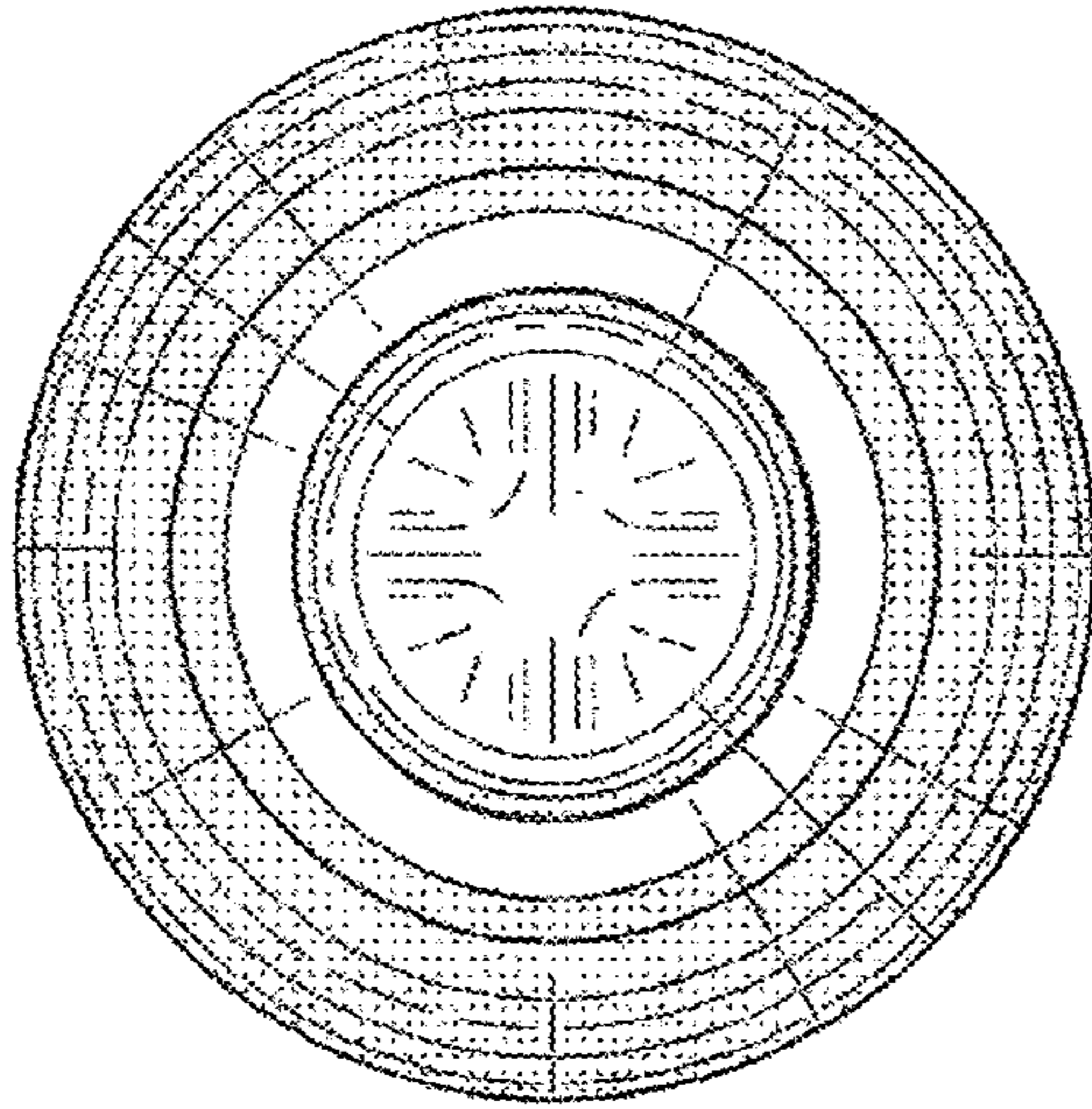


FIG. 6

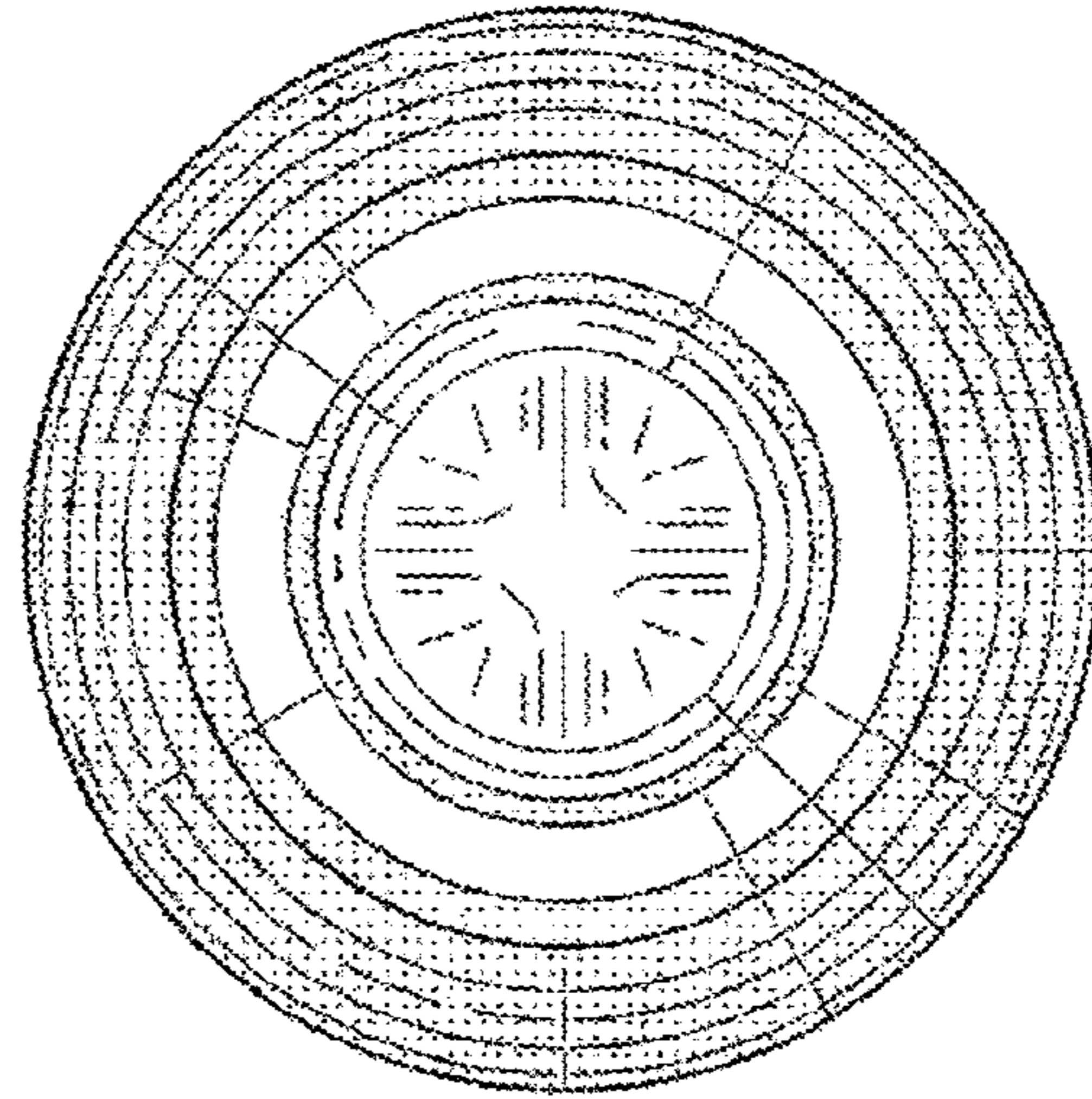


FIG. 7

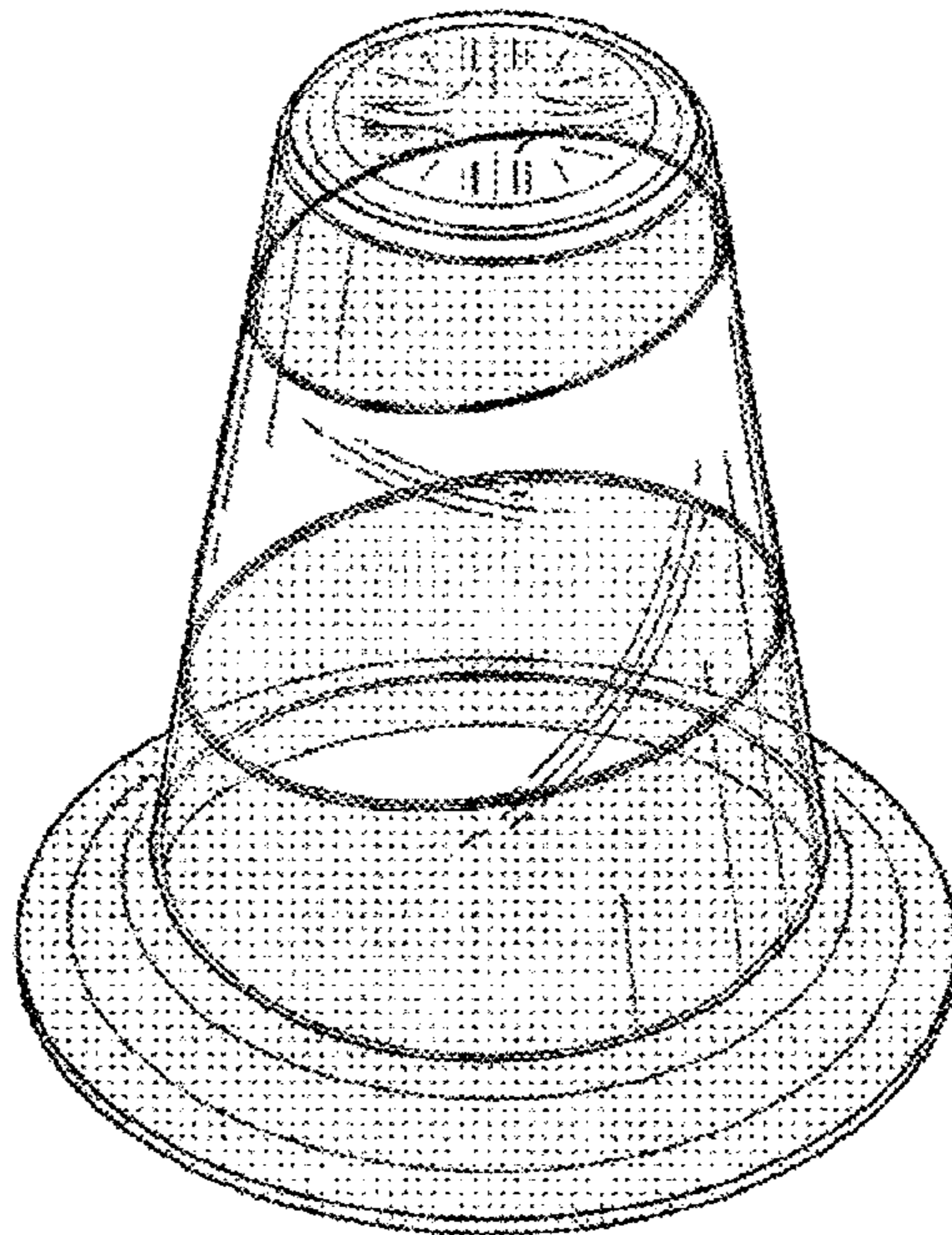


FIG. 8

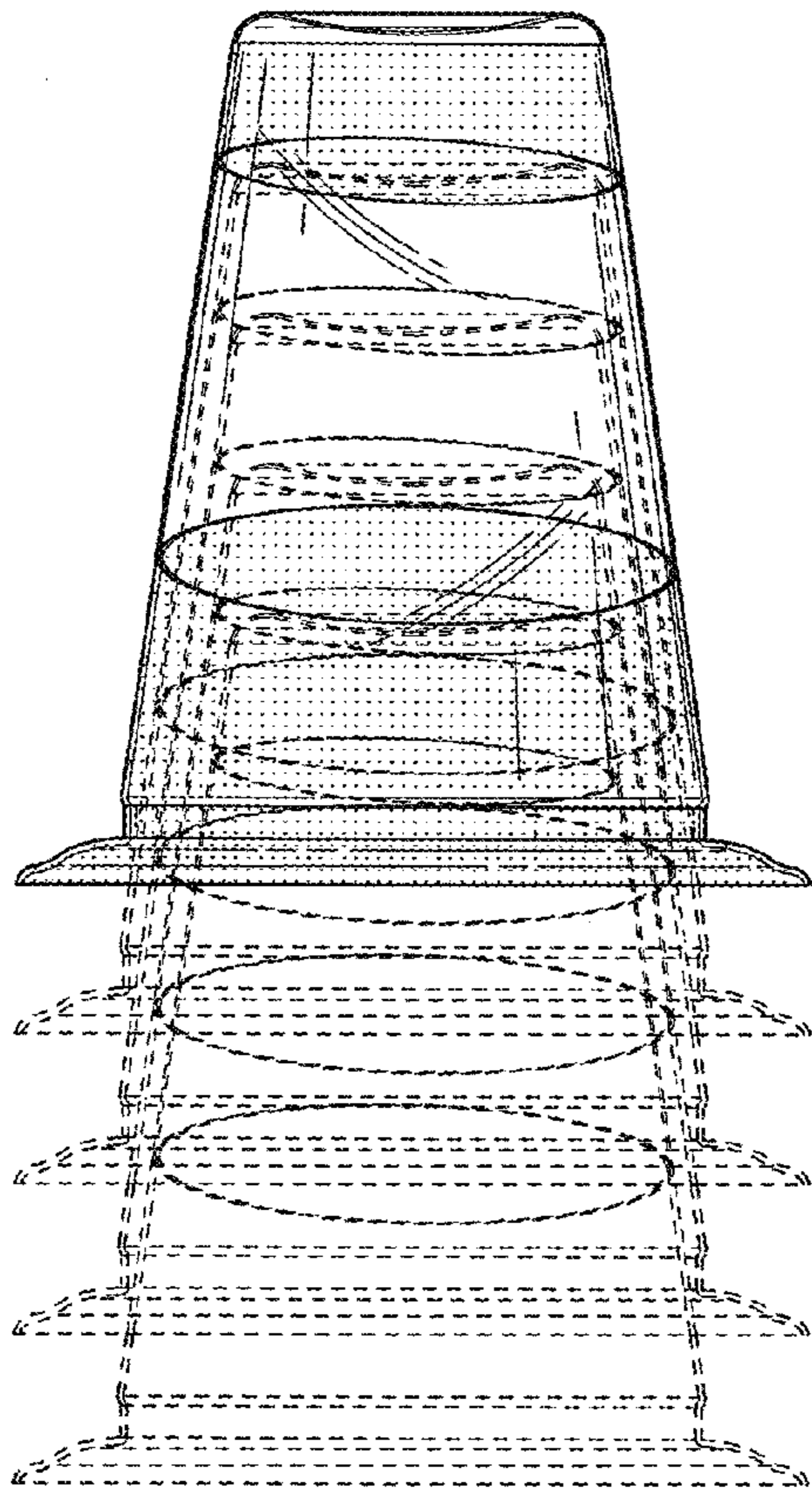


FIG. 9

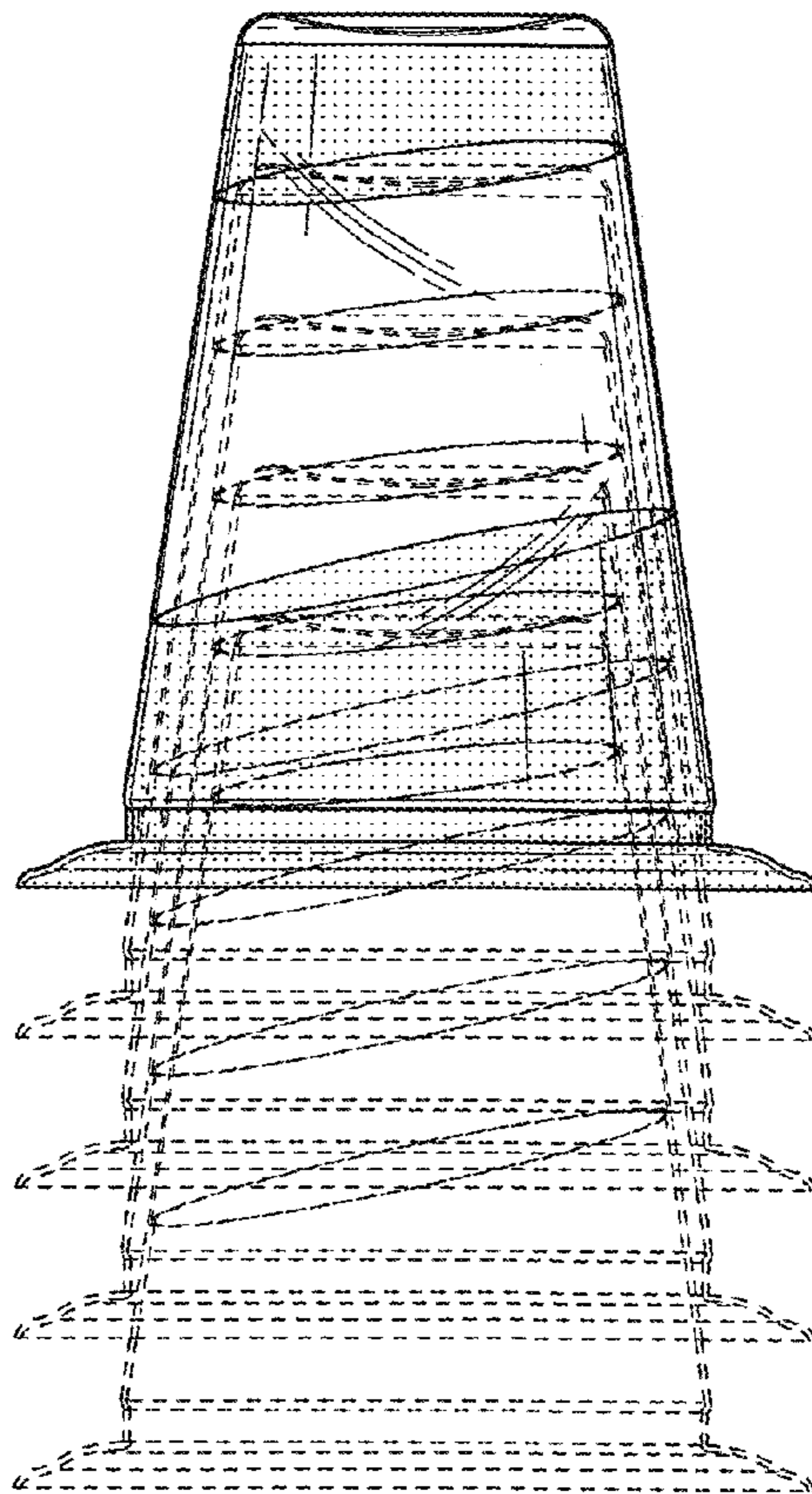


FIG. 10

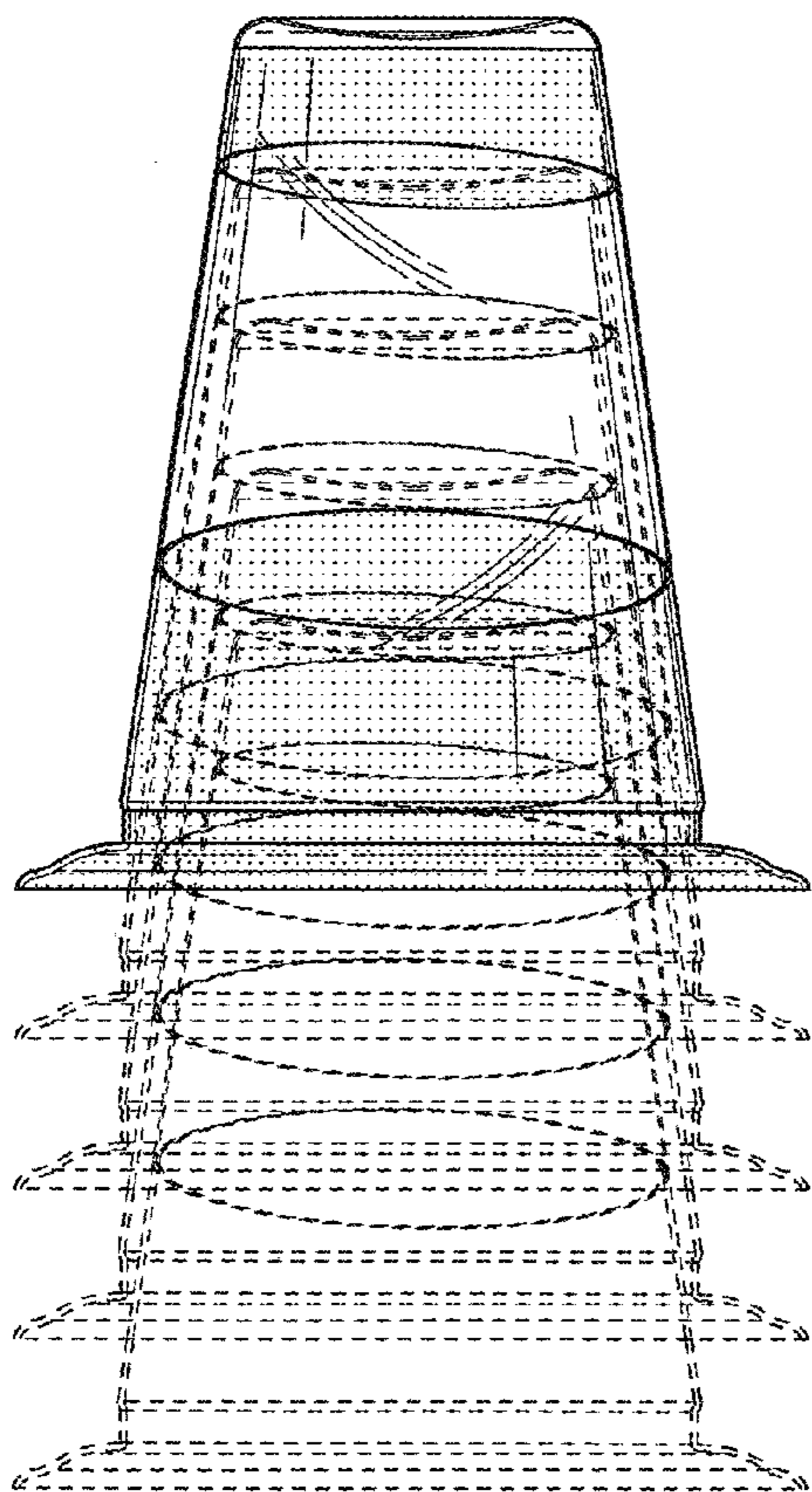


FIG. 11

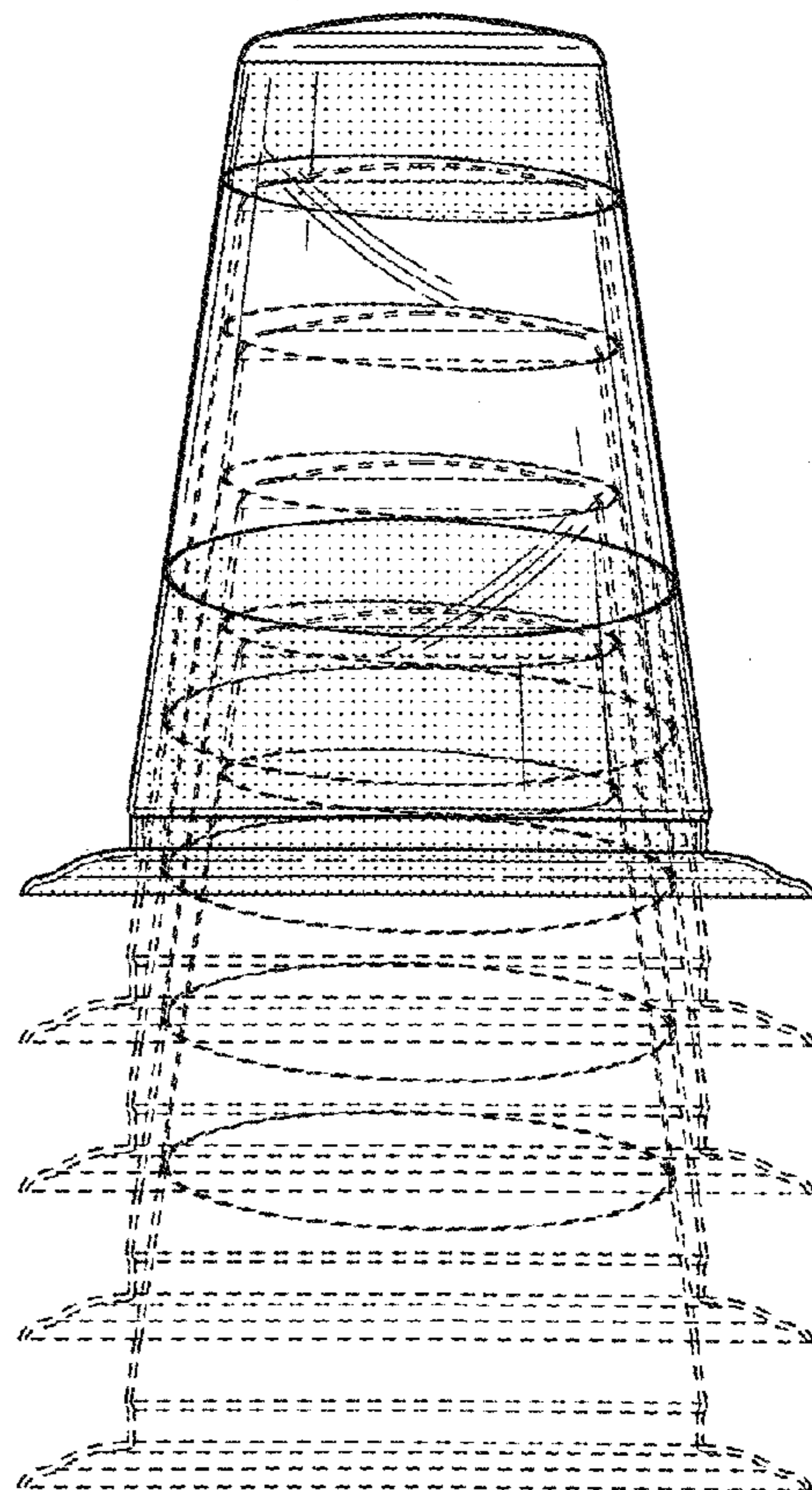


FIG. 12

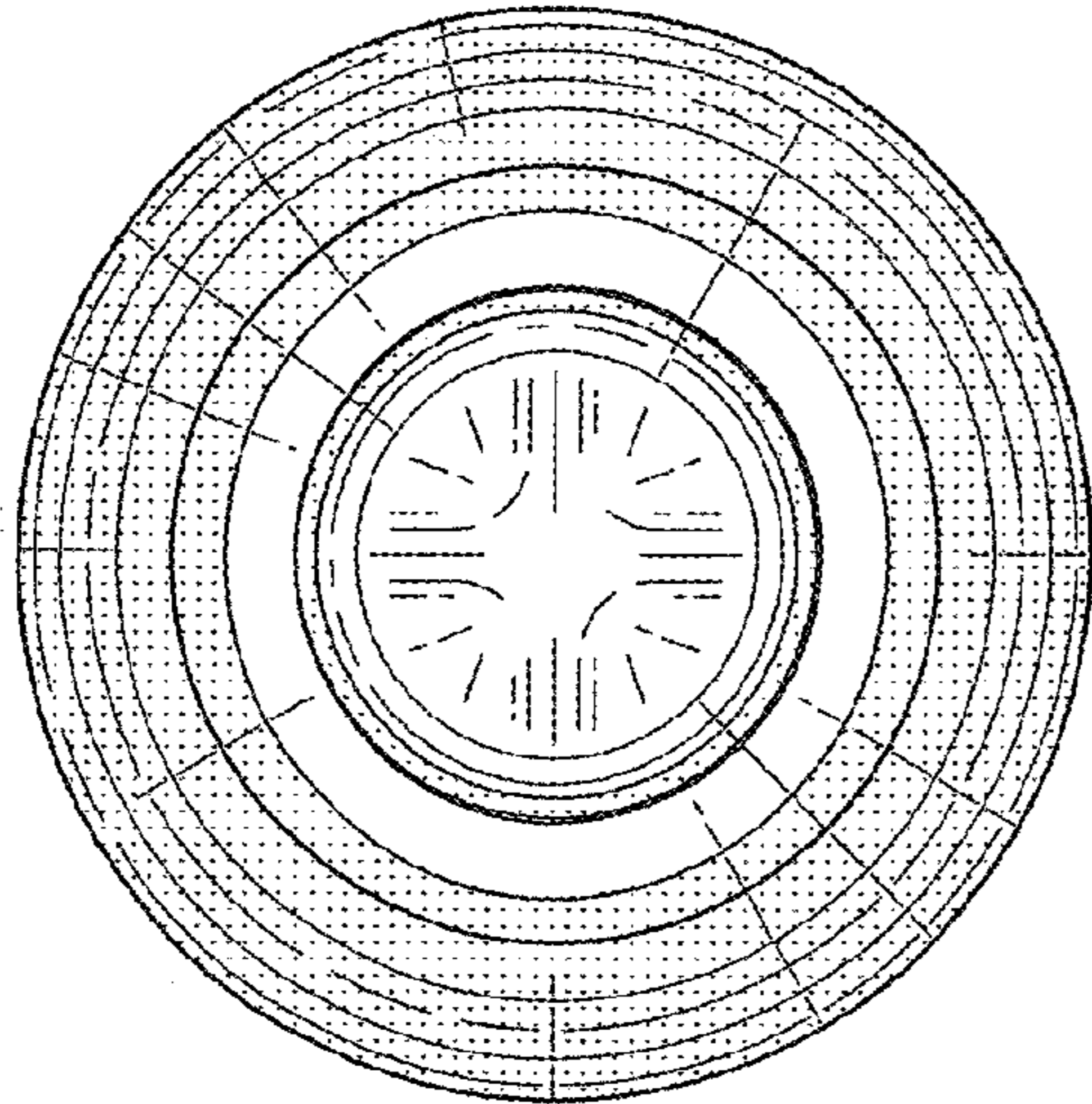


FIG. 13

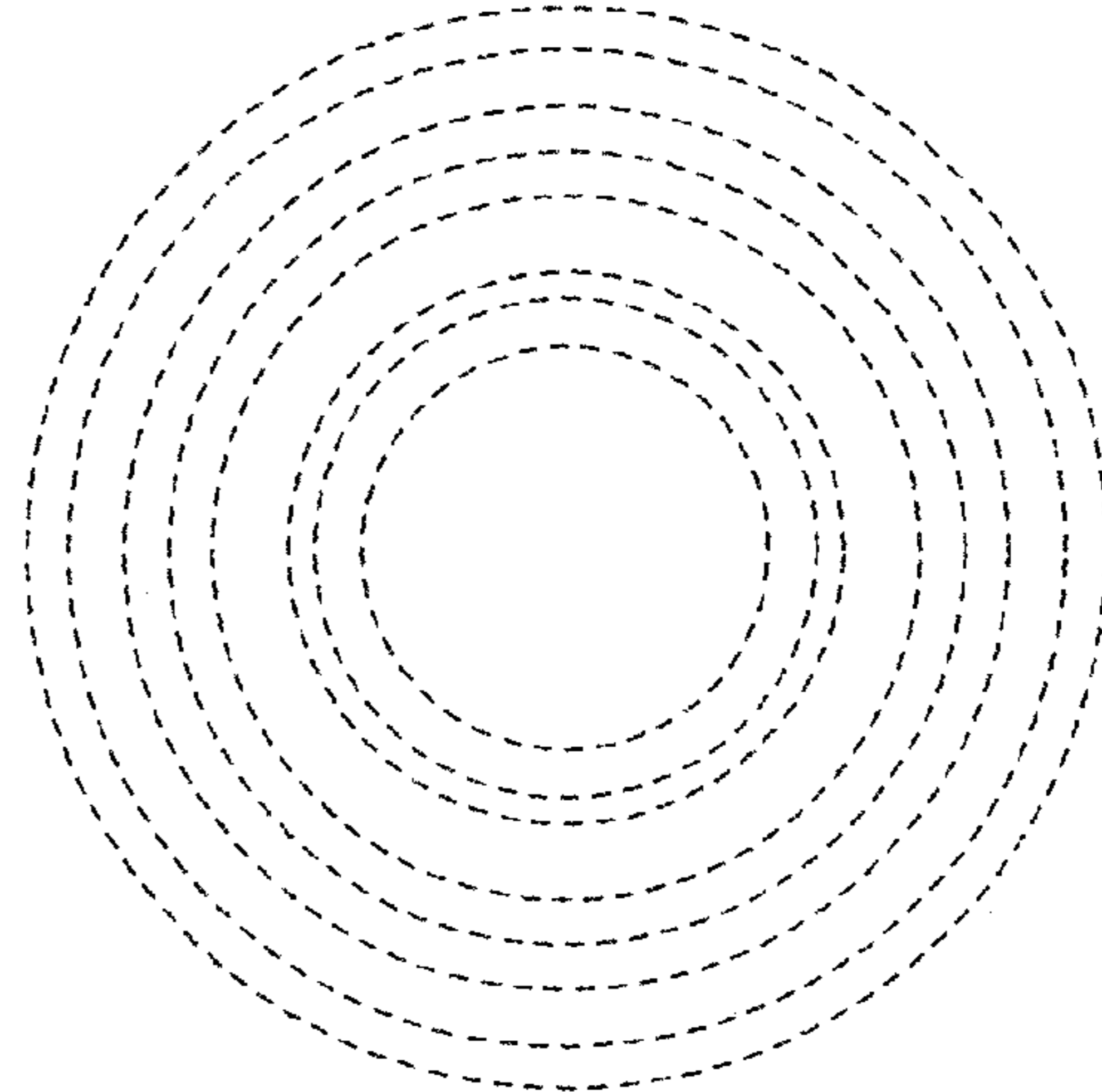


FIG. 14

