

US00D761101S

(12) **United States Design Patent**
Seo et al.

(10) **Patent No.:** **US D761,101 S**
(45) **Date of Patent:** **** Jul. 12, 2016**

(54) **BRACKET FOR FIXING A SPRINKLER**

D708,053 S * 7/2014 Marini D24/127
D737,131 S * 8/2015 Frandsen D8/356
D750,957 S * 3/2016 Cuvo D8/396

(71) Applicant: **Dongwoo Flexible metal tube Co., Ltd.**, Namyangju-si (KR)

* cited by examiner

(72) Inventors: **Myung-yul Seo**, Namyangju-si (KR);
Sung-ho Shin, Suwon-si (KR)

Primary Examiner — Ralf Seifert
(74) *Attorney, Agent, or Firm* — Antonio Ha & U.S. Patent, LLC

(**) Term: **15 Years**

(57) **CLAIM**

(21) Appl. No.: **29/531,780**

The ornamental design for a bracket for fixing a sprinkler, as shown and described.

(22) Filed: **Jun. 30, 2015**

DESCRIPTION

(51) **LOC (10) Cl.** **08-08**

(52) **U.S. Cl.**
USPC **D8/396**

(58) **Field of Classification Search**
USPC D8/394, 395, 396, 382, 72, 354, 356,
D8/355, 73, 371; 248/68.1, 74.3, 62;
285/420
CPC F16L 23/08; F16L 3/085; F16L 3/221;
F16L 3/137; F16L 3/08; E21F 17/02; Y10S
248/913
See application file for complete search history.

FIG. 1 is a perspective view of the ornamental design of the present invention;
FIG. 2 is a front view of the ornamental design of the present invention;
FIG. 3 is a rear view of the ornamental design of the present invention;
FIG. 4 is a left side view of the ornamental design of the present invention;
FIG. 5 is a right side view of the ornamental design of the present invention;
FIG. 6 is a top view of the ornamental design of the present invention;
FIG. 7 is a bottom view of the ornamental design of the present invention;
FIG. 8 is a first reference view of the ornamental design of the present invention; and,
FIG. 9 is a second reference view of the ornamental design of the present invention.

(56) **References Cited**

U.S. PATENT DOCUMENTS

7,191,988 B2 * 3/2007 Kim F16L 3/085
248/229.2
7,207,527 B2 * 4/2007 Opperthausen F16L 59/135
248/55
D580,262 S * 11/2008 Eason D17/22

1 Claim, 9 Drawing Sheets

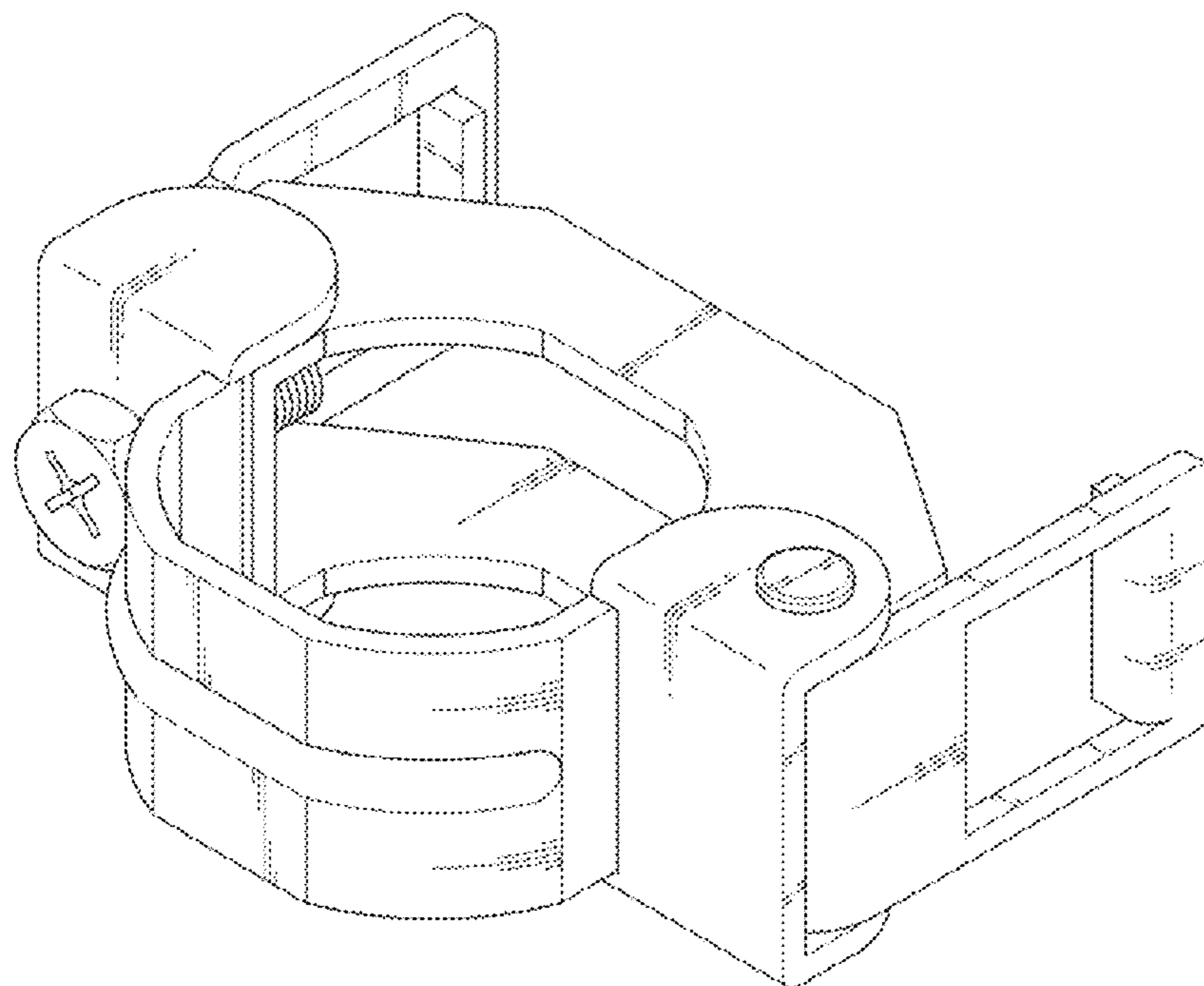


Fig. 1

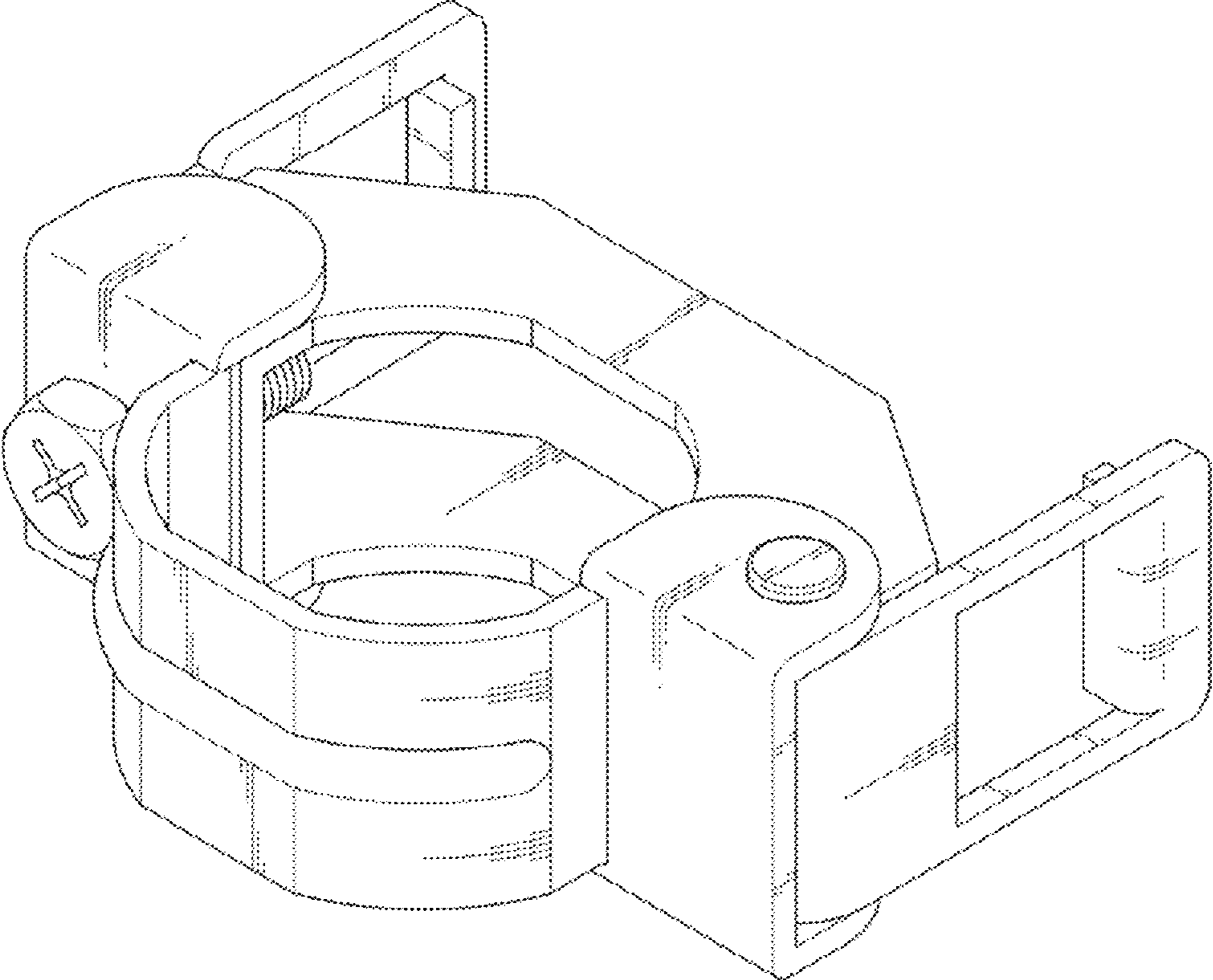


Fig. 2

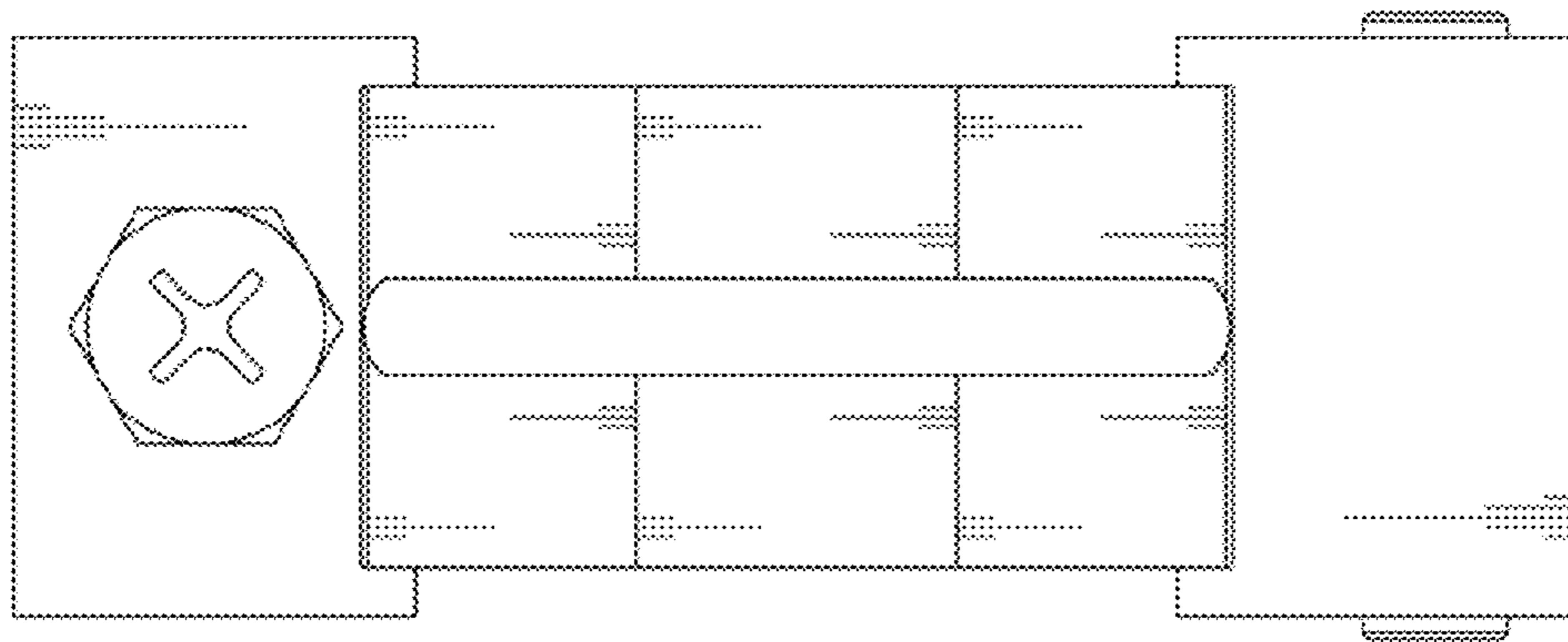


Fig. 3

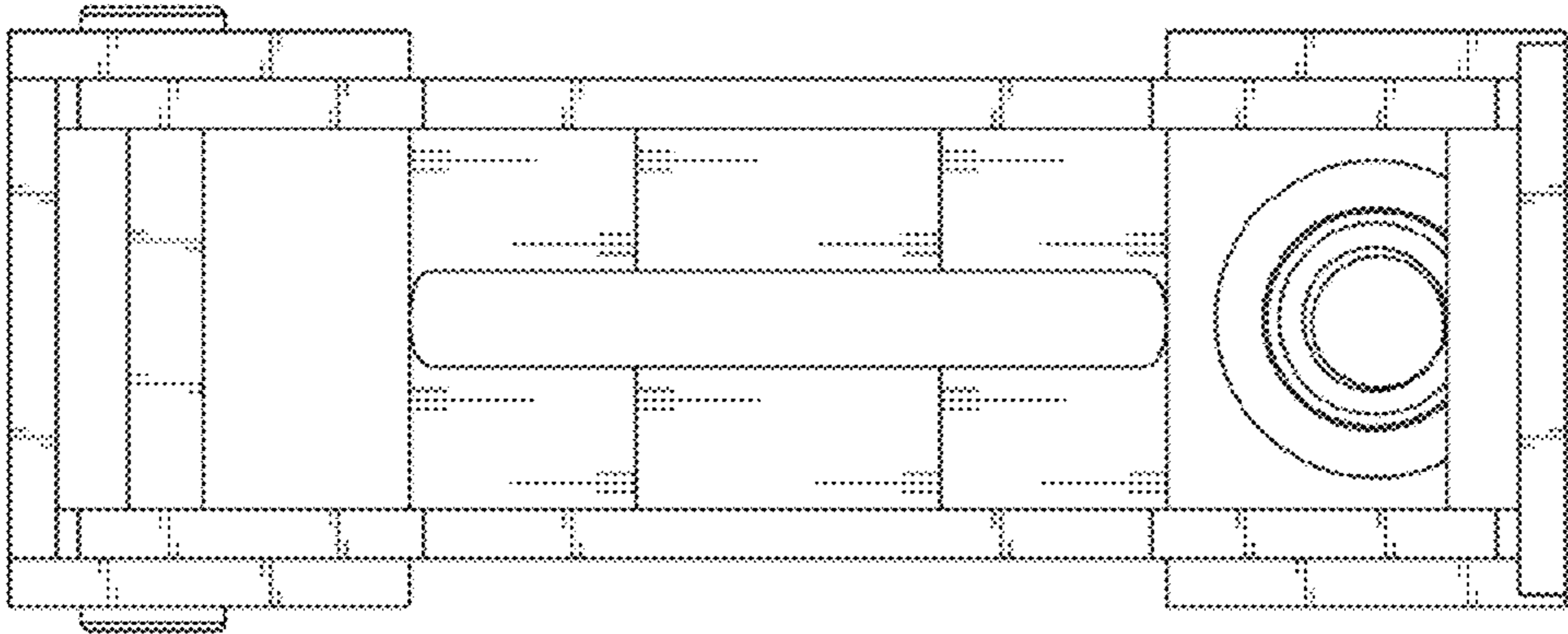


Fig. 4

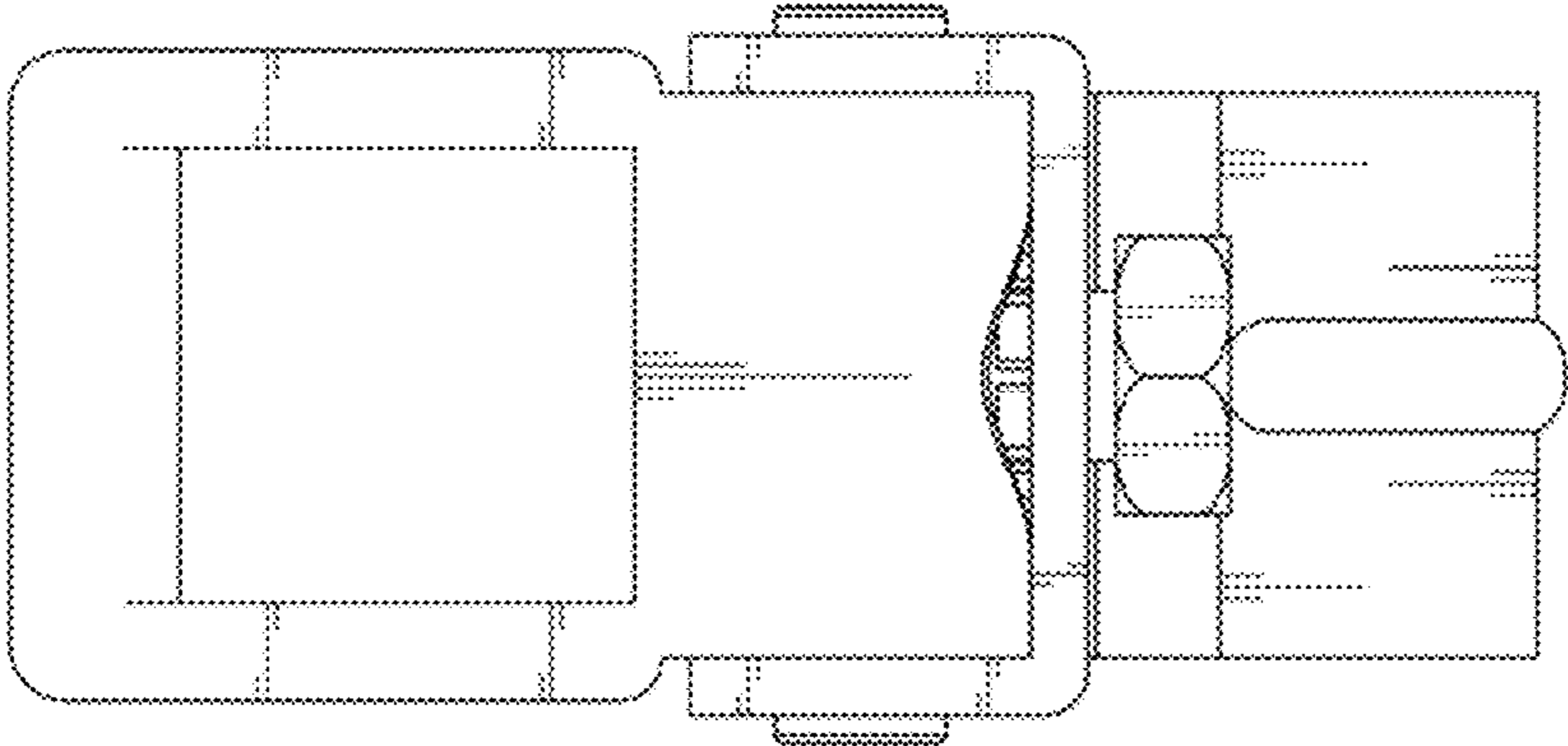


Fig. 5

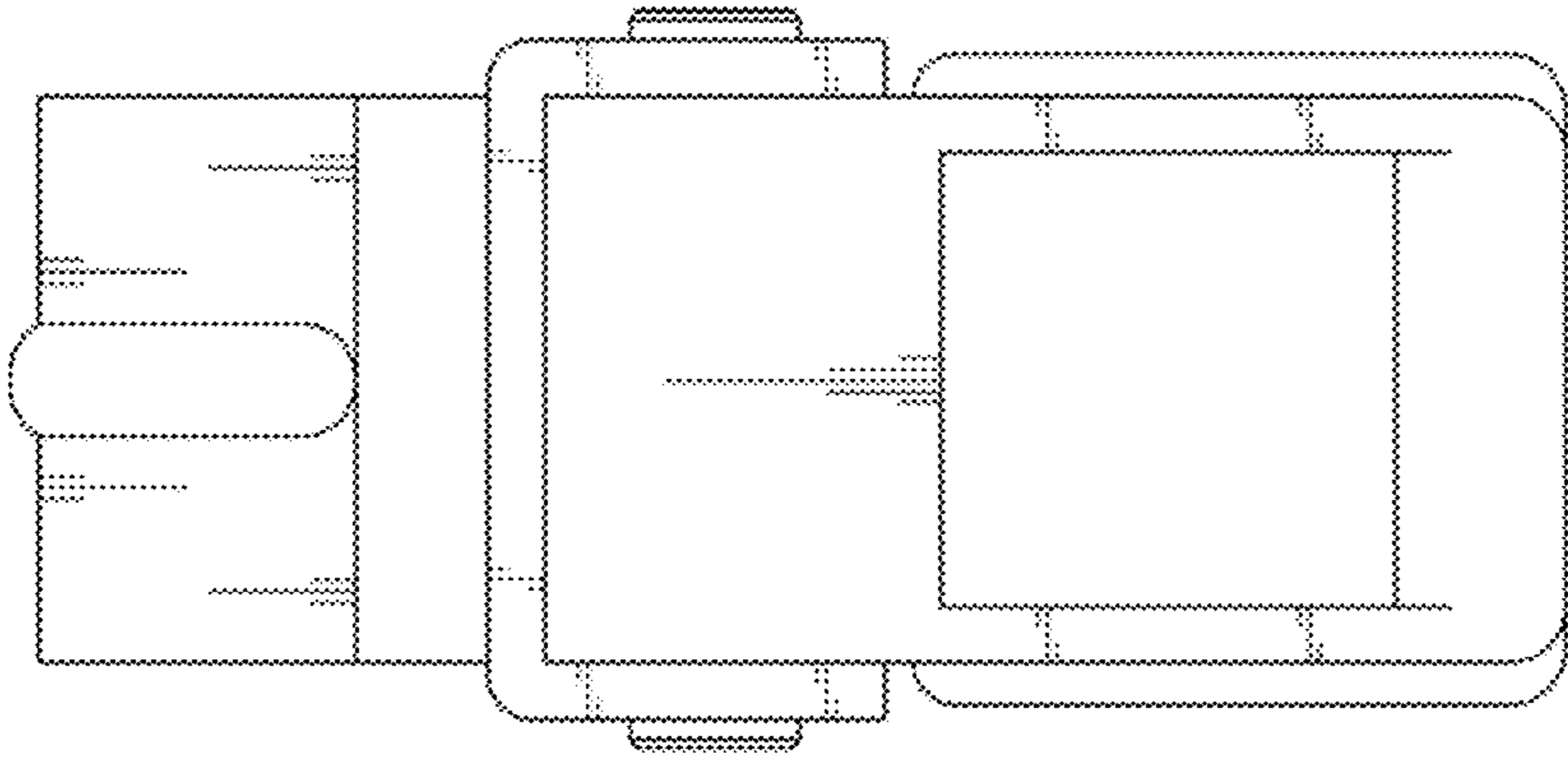


Fig. 6

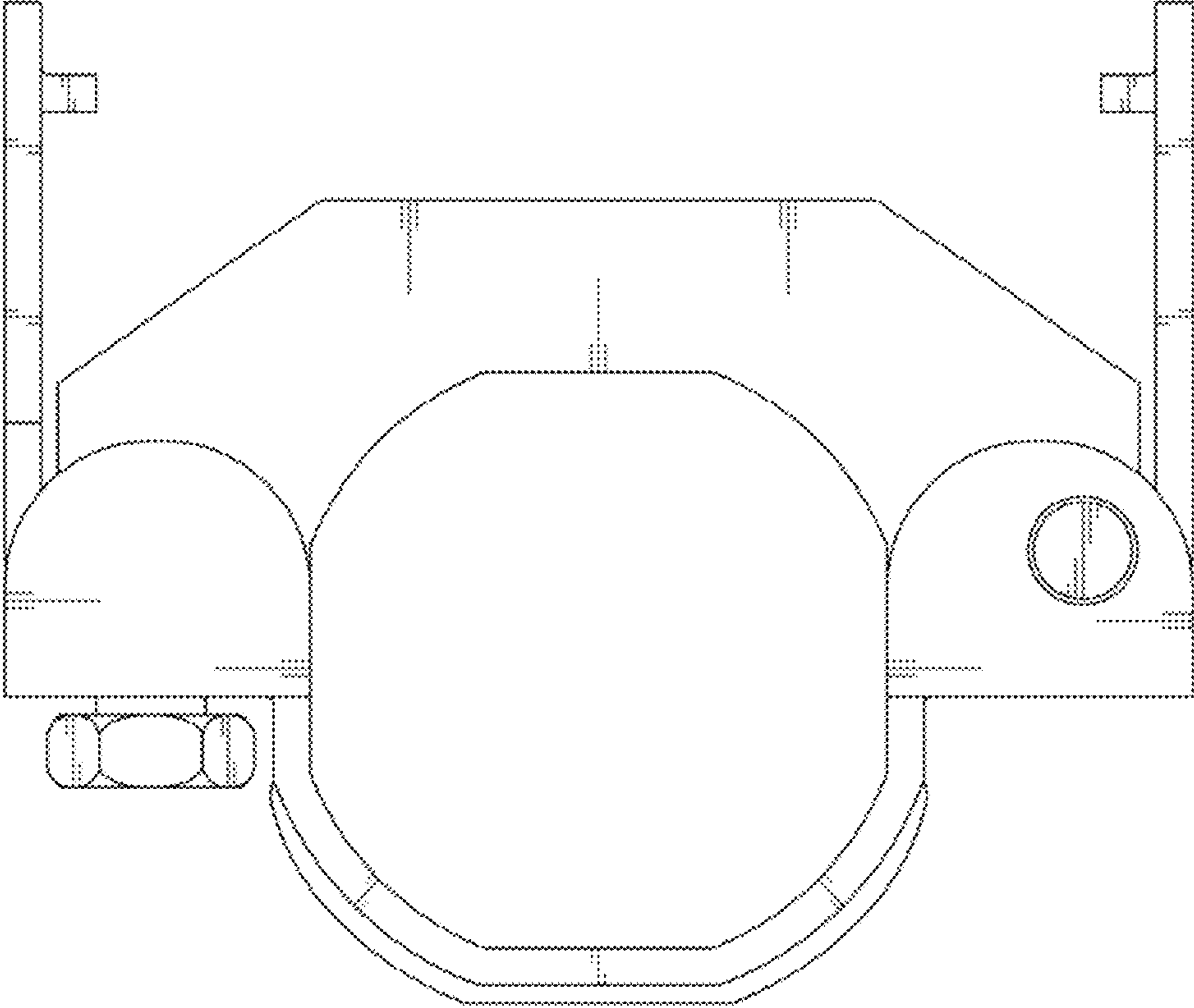


Fig. 7

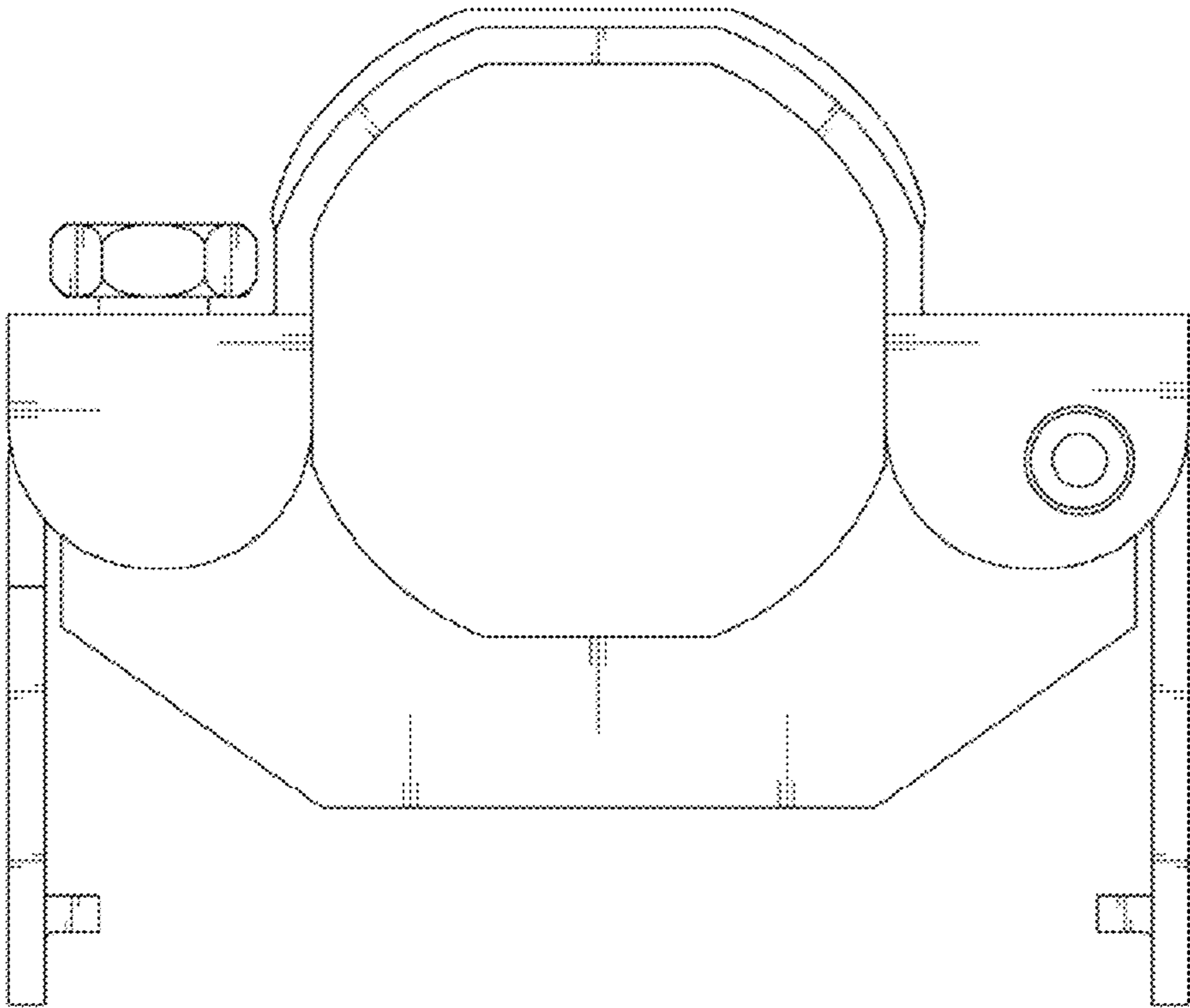


Fig. 8

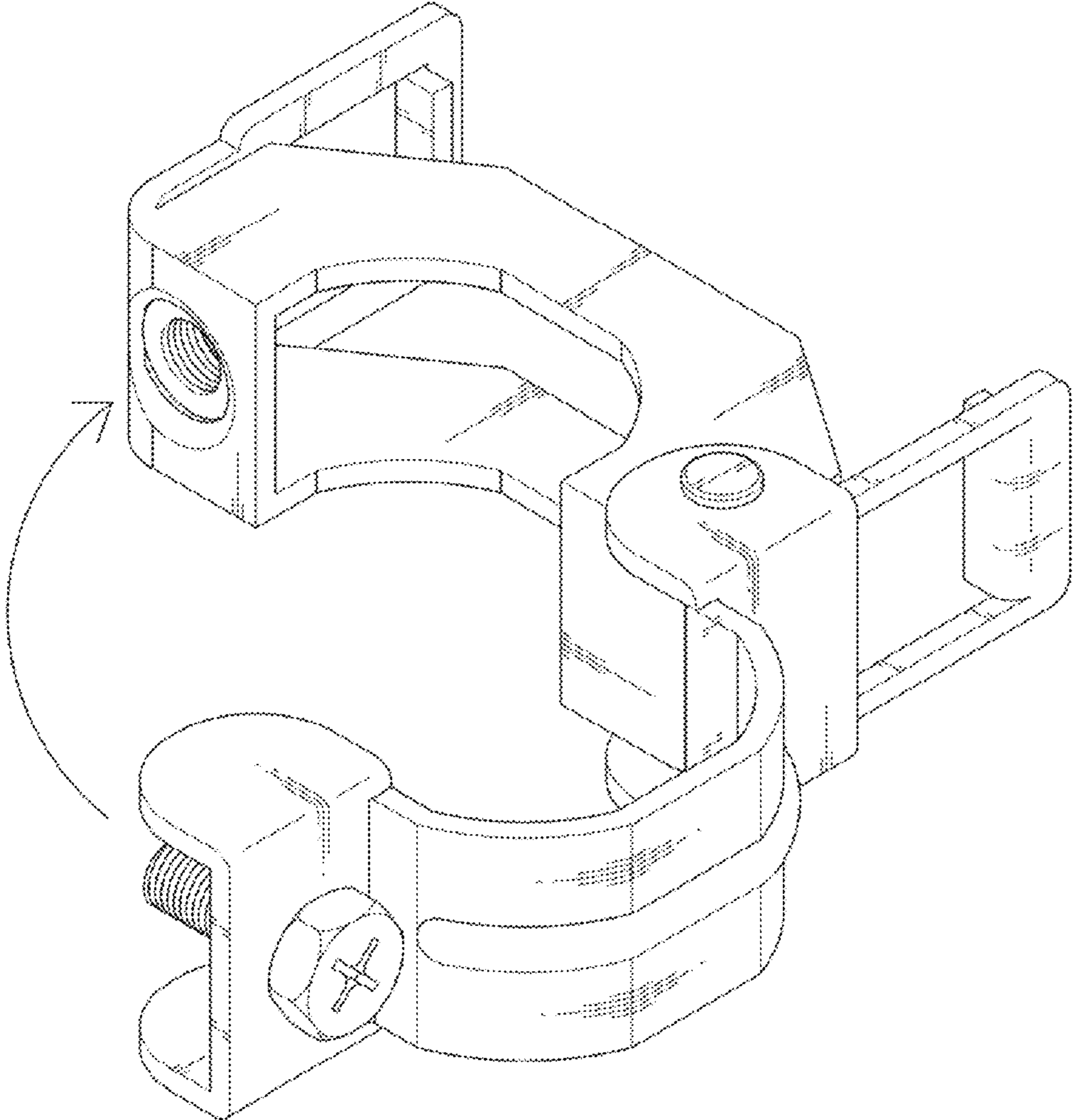


Fig. 9

