



US00D761100S

(12) **United States Design Patent**  
**Divers et al.**

(10) **Patent No.:** **US D761,100 S**  
(45) **Date of Patent:** **\*\* Jul. 12, 2016**

(54) **LINE CLAMP**

(71) Applicant: **DSR Fasteners, Inc.**, Sultan, WA (US)

(72) Inventors: **Tim Divers**, Sultan, WA (US); **Jacob Strain**, Sultan, WA (US)

(73) Assignee: **DSR Fasteners, Inc.**, Sultan, WA (US)

(\*\*) Term: **14 Years**

(21) Appl. No.: **29/518,392**

(22) Filed: **Feb. 23, 2015**

(51) **LOC (10) Cl.** ..... **08-08**

(52) **U.S. Cl.**  
USPC ..... **D8/396**

(58) **Field of Classification Search**  
USPC ..... D8/394–396, 349–356, 373, 400;  
D24/138  
CPC ..... H01R 11/11; H01R 11/281; F16L 23/036;  
F16L 3/13; F16L 3/1058; E04B 2/74; E04B  
2/7442

See application file for complete search history.

(56) **References Cited**

**U.S. PATENT DOCUMENTS**

- 2,990,830 A \* 7/1961 Hett ..... A61B 1/00188  
600/163
- 3,216,685 A \* 11/1965 Raymond ..... F16B 2/245  
248/316.7
- 3,369,653 A \* 2/1968 Edwards ..... G03B 21/323  
206/406
- D271,618 S \* 11/1983 Nishigaki ..... D16/134
- D272,473 S \* 1/1984 Larsson ..... D25/133
- D285,044 S \* 8/1986 Mockett ..... D8/349
- D309,857 S \* 8/1990 Fenton ..... D8/367
- 4,952,107 A \* 8/1990 Dupree ..... F16B 41/002  
411/103
- D313,340 S \* 1/1991 Stathis ..... D8/356
- D318,412 S \* 7/1991 Williams ..... D8/356
- 5,299,842 A \* 4/1994 Marks ..... F16L 23/036  
285/325
- D362,176 S \* 9/1995 Solbeck ..... D8/382

- D375,890 S \* 11/1996 Takai ..... D8/380
- D498,414 S \* 11/2004 Yoneoka ..... D8/382
- 7,241,235 B2 \* 7/2007 Caruso ..... A63B 63/004  
273/400
- D556,017 S \* 11/2007 Hutter, III ..... D8/354
- D621,695 S \* 8/2010 Van Solkema ..... D8/400
- D684,036 S \* 6/2013 Topping ..... D8/356
- D695,591 S \* 12/2013 Ackerman ..... D8/349
- D700,501 S \* 3/2014 Ackerman ..... D8/349

(Continued)

**FOREIGN PATENT DOCUMENTS**

- EM 000007919-0002 \* 7/2003
- JP D1453526 \* 10/2012
- KR 300716955.0000 \* 11/2013

**OTHER PUBLICATIONS**

Allstar Line Clamps | Allstar Performance, online, website copyright 2016, <http://www.jegs.com/p/Allstar-Performance/Allstar-Line-Clamps/1738728/10002/-1>, [site visited Jan. 28, 2016 7:33:10 PM].\*

(Continued)

*Primary Examiner* — John Windmuller  
*Assistant Examiner* — John R Yeh  
(74) *Attorney, Agent, or Firm* — Mark D. Miller

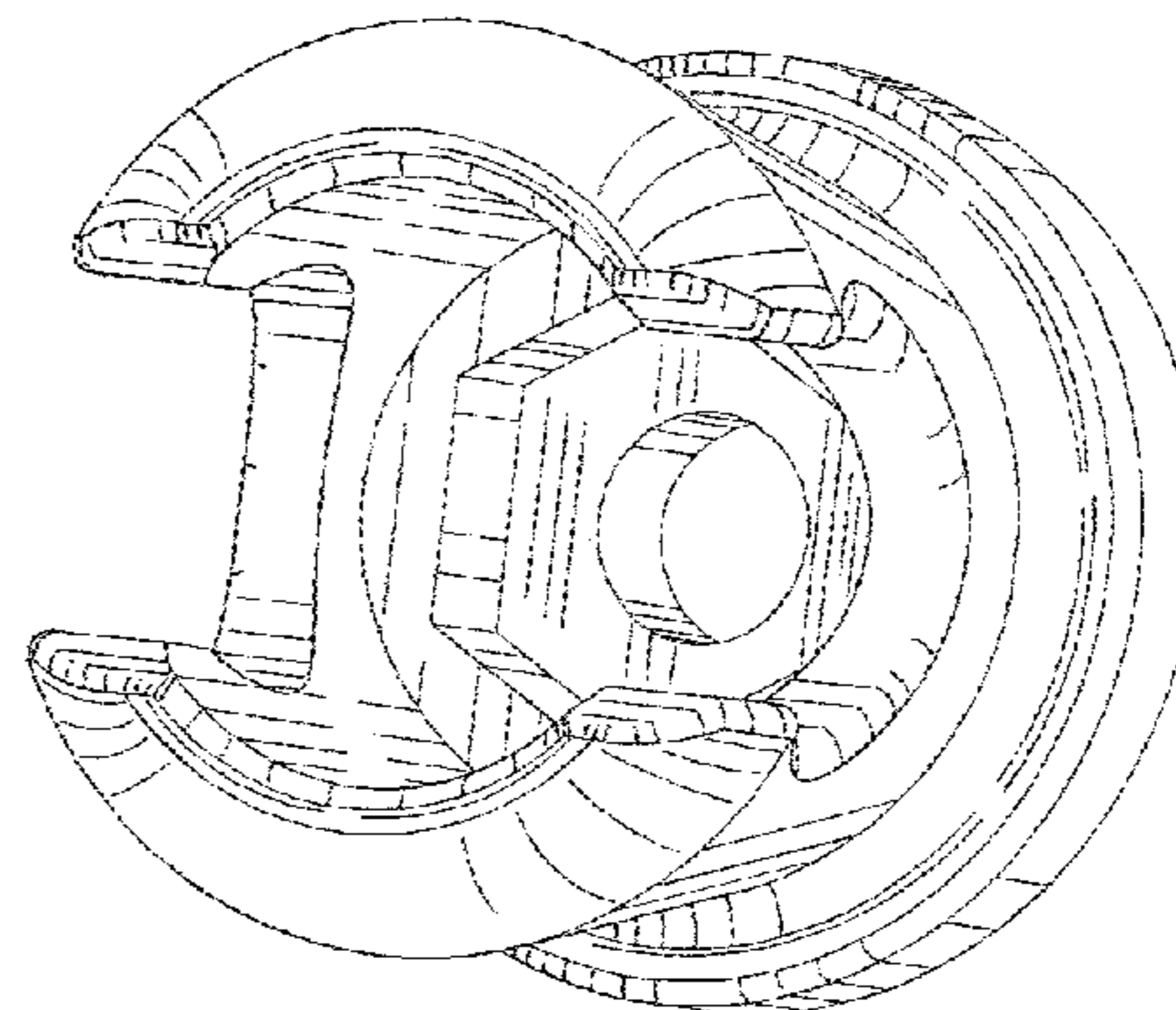
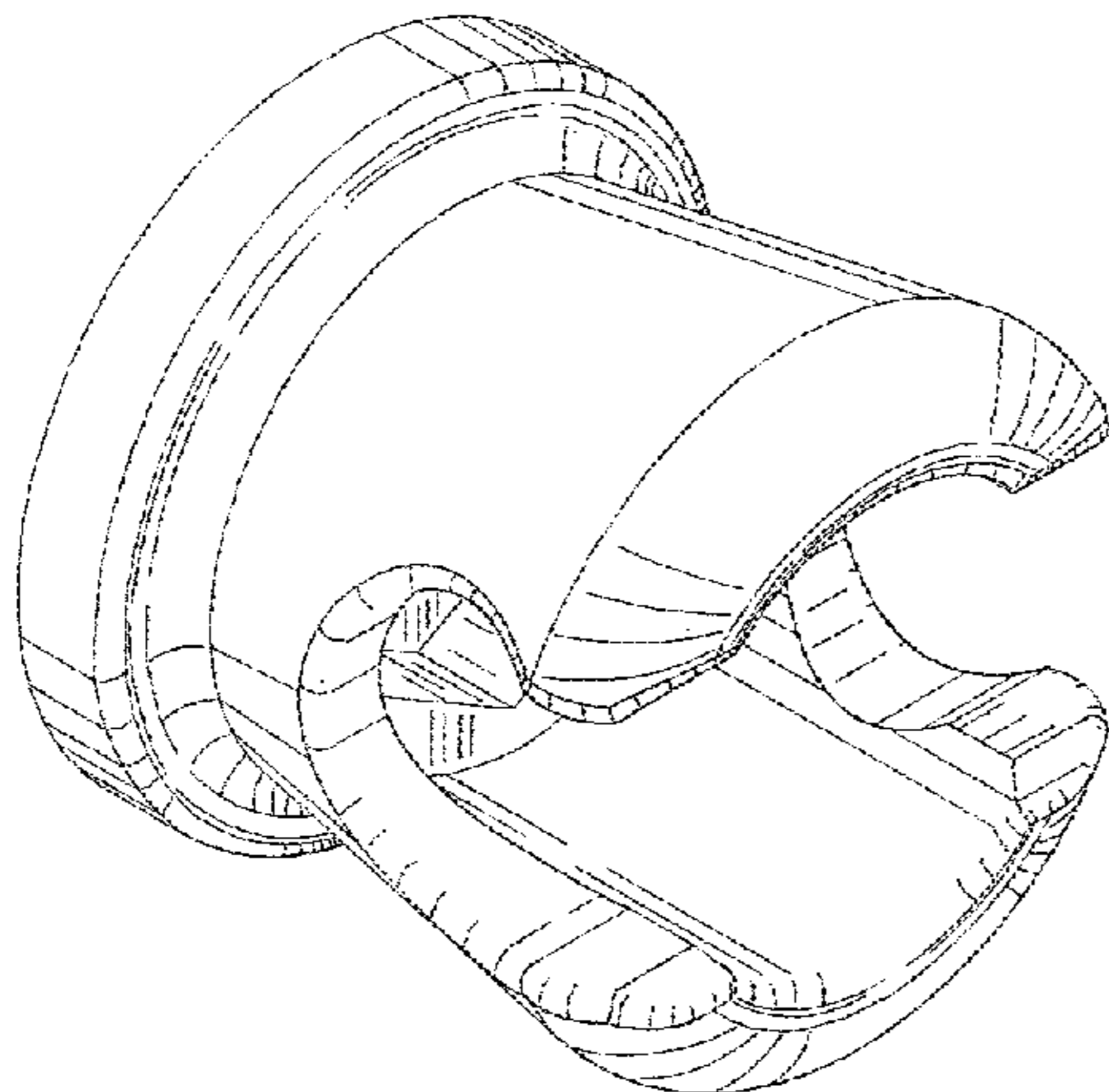
(57) **CLAIM**

We claim the ornamental design for a line clamp, as shown and described.

**DESCRIPTION**

FIG. 1 is a front perspective view of a line clamp showing our new design;  
FIG. 2 is a different front perspective thereof;  
FIG. 3 is a left side elevational view thereof;  
FIG. 4 is a top plan view thereof;  
FIG. 5 is a right side elevational view thereof;  
FIG. 6 is a front elevational view thereof;  
FIG. 7 is a bottom plan view thereof; and,  
FIG. 8 is a rear elevational view thereof.

**1 Claim, 3 Drawing Sheets**



(56)

**References Cited**

U.S. PATENT DOCUMENTS

D701,451 S *	3/2014	Momiyama	.....	D8/382
D714,531 S *	10/2014	Guglielmo	.....	D2/946
D720,123 S *	12/2014	Frydlewski	.....	D2/946
D737,413 S *	8/2015	Drury	.....	D23/262
2015/0323101 A1 *	11/2015	Hobson	.....	F16L 3/1058 248/67.5

OTHER PUBLICATIONS

Web Site NotchHead Line Clamps (<https://www.notchead.com/line-clamps.html>) (Apr. 16, 2014).

NotchHead Fasteners Facebook page (Mar. 24, 2014).

Web Site—Pex Universe.com; Snap-in Clips for 3/4" Pex Tubing (80/bag) (<http://www.pexuniverse.com/3-4-snap-in-clips-pex-copper-cpvc>).

Web Site—PH PlumbingHelp CA Plumbing made easy ([http://www.plumbinghelp.ca/pipe\\_hangers.php](http://www.plumbinghelp.ca/pipe_hangers.php)).

Web Site—ECAS 2CV Parts; Clip, plastic, to hold fuel and/or brake pipe or original and Ecas chassis (<http://www.ecas2cvparts.co.uk/>

clip-plastic-hold-fuel-andor-brake-pipe-original-ecas-chassis-p-1493.html).

Web Site—BRITCAR; NTC9543L—Brake Pipe Clip Single RRC/DIS ([http://www.brit-car.co.uk/product.php/89184/3640/brake\\_pipe\\_clip\\_single\\_rrc\\_dis](http://www.brit-car.co.uk/product.php/89184/3640/brake_pipe_clip_single_rrc_dis)).

Web Site—BilletsSpecialties; Line Clamps (<http://www.billetspecialties.com/clamps-and-hardware/line-clamps/>).

Web Site—Inline Tube.com The Brake Plumbing Experts; Hold tight Brake & Fuel line clips (<http://inlinetube.com/clips%20brake%20&%20fuel/clips.htm>).

Web Site—Atlantic British Ltd.; Fuel Line Clip Double (<http://www.roverparts.com/Parts/ESR1373>).

Web Site—Andy's Auto Sports; Saab 9-3 Brake Lines ([http://www.andysautosport.com/brake\\_lines/saab\\_9-3.html](http://www.andysautosport.com/brake_lines/saab_9-3.html)).

Web Site—auto consumables.com; Twin Brake Line / Cable Holder, Max Cable Diameter 6.5mm, to fit 6mm Hole (<http://www.autoconsumables.com/twin-brake-line--cable-holder-max-cable-diameter-65mm-to-fit-6mm-hole-381-p.asp>).

Web Site—New Line Hose & Fittings; HAB-Spacer—Airbrake Hose Separator Clamp (<http://www.new-line.com/hose/auto/airbrake/airbrake-hose-separator-clamp>).

\* cited by examiner

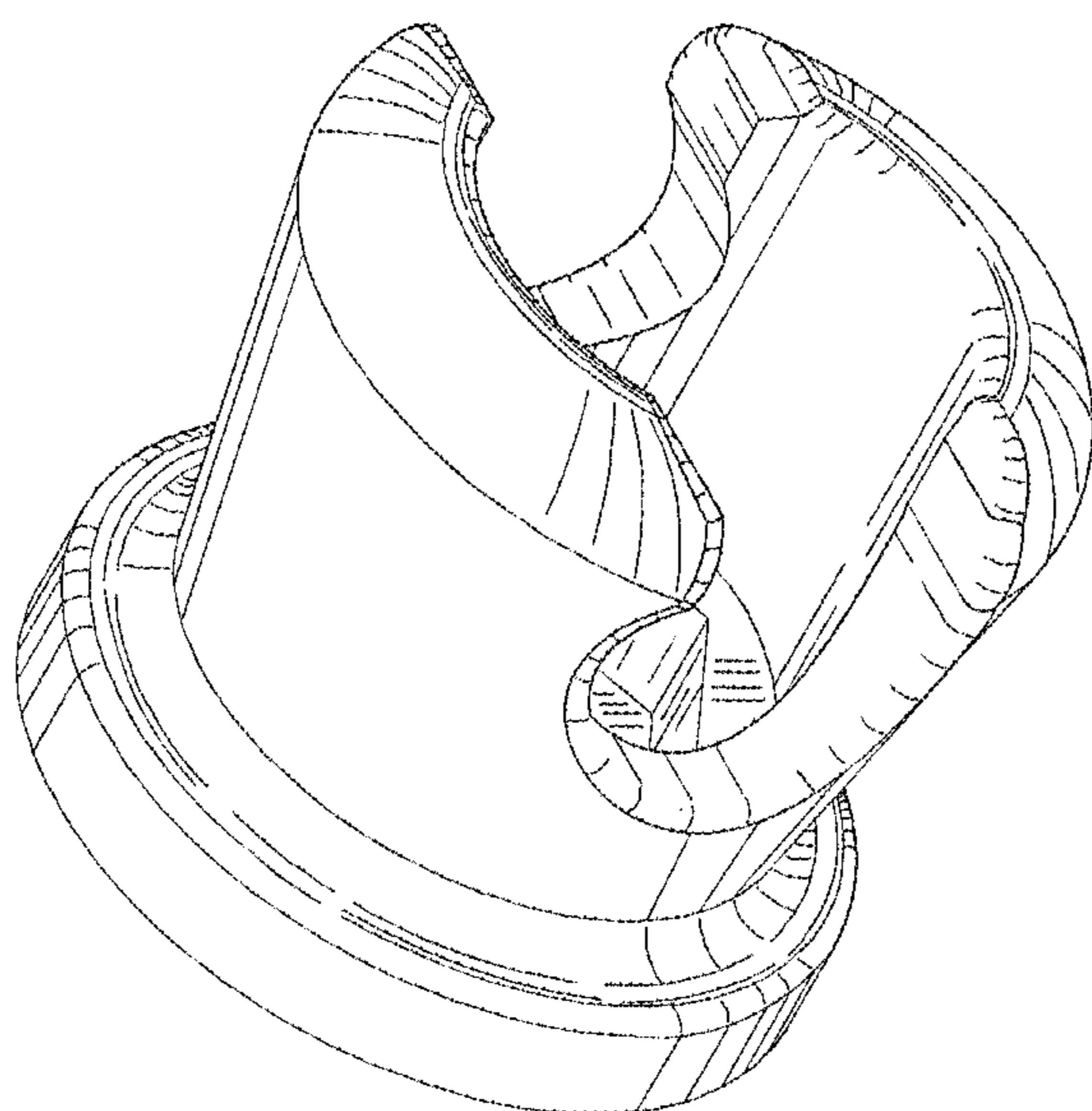


FIG. 1

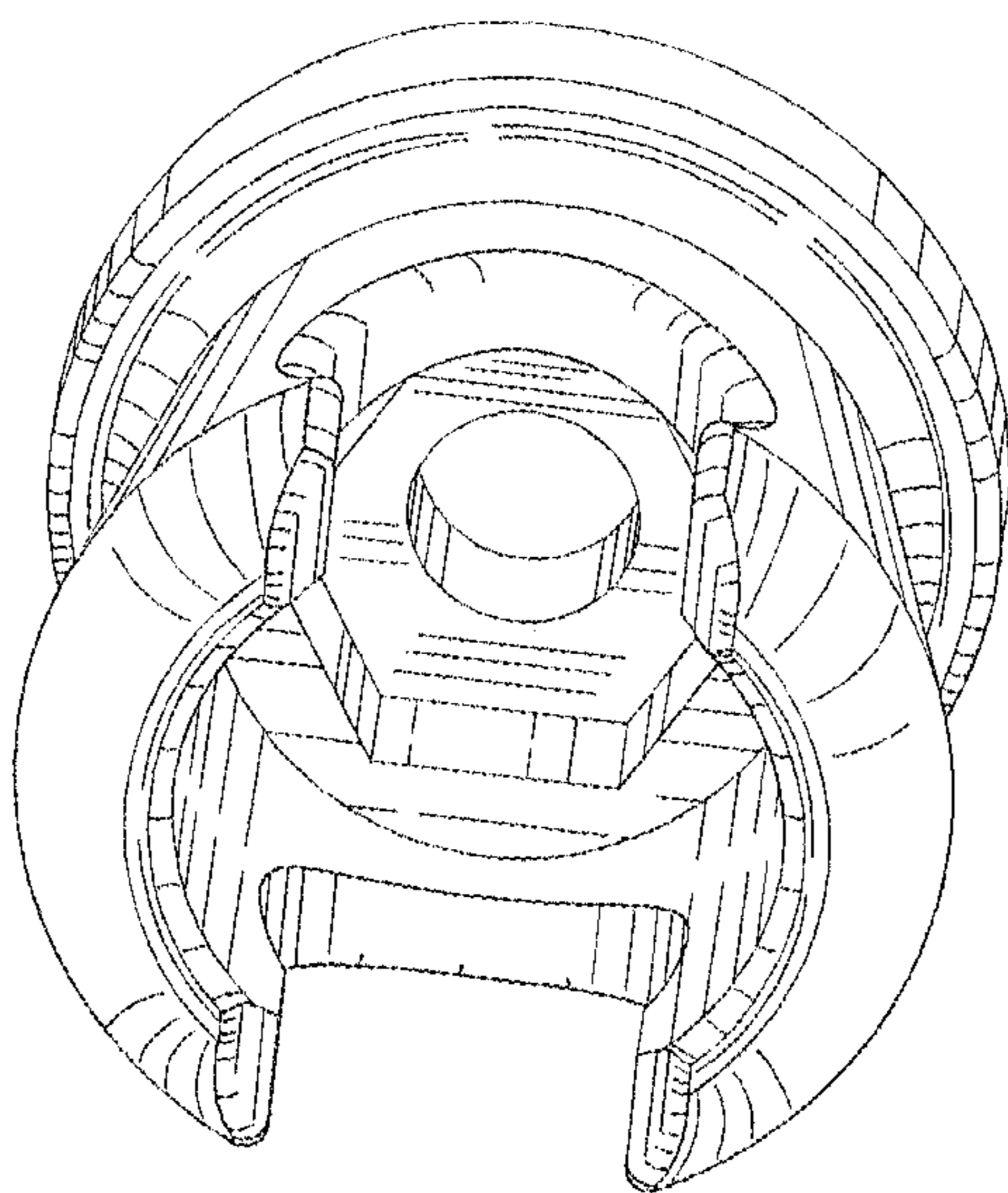


FIG. 2

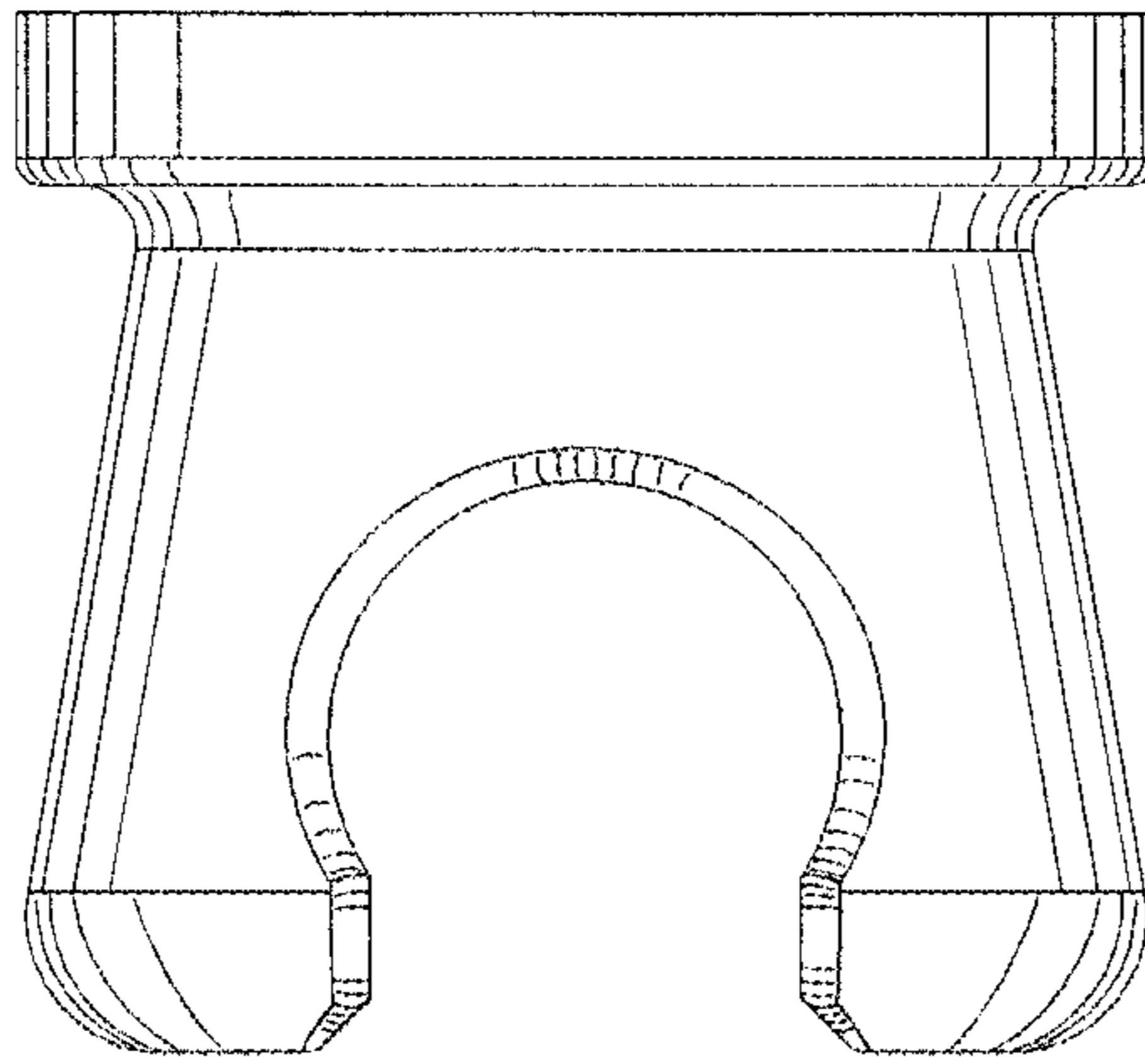


FIG. 5

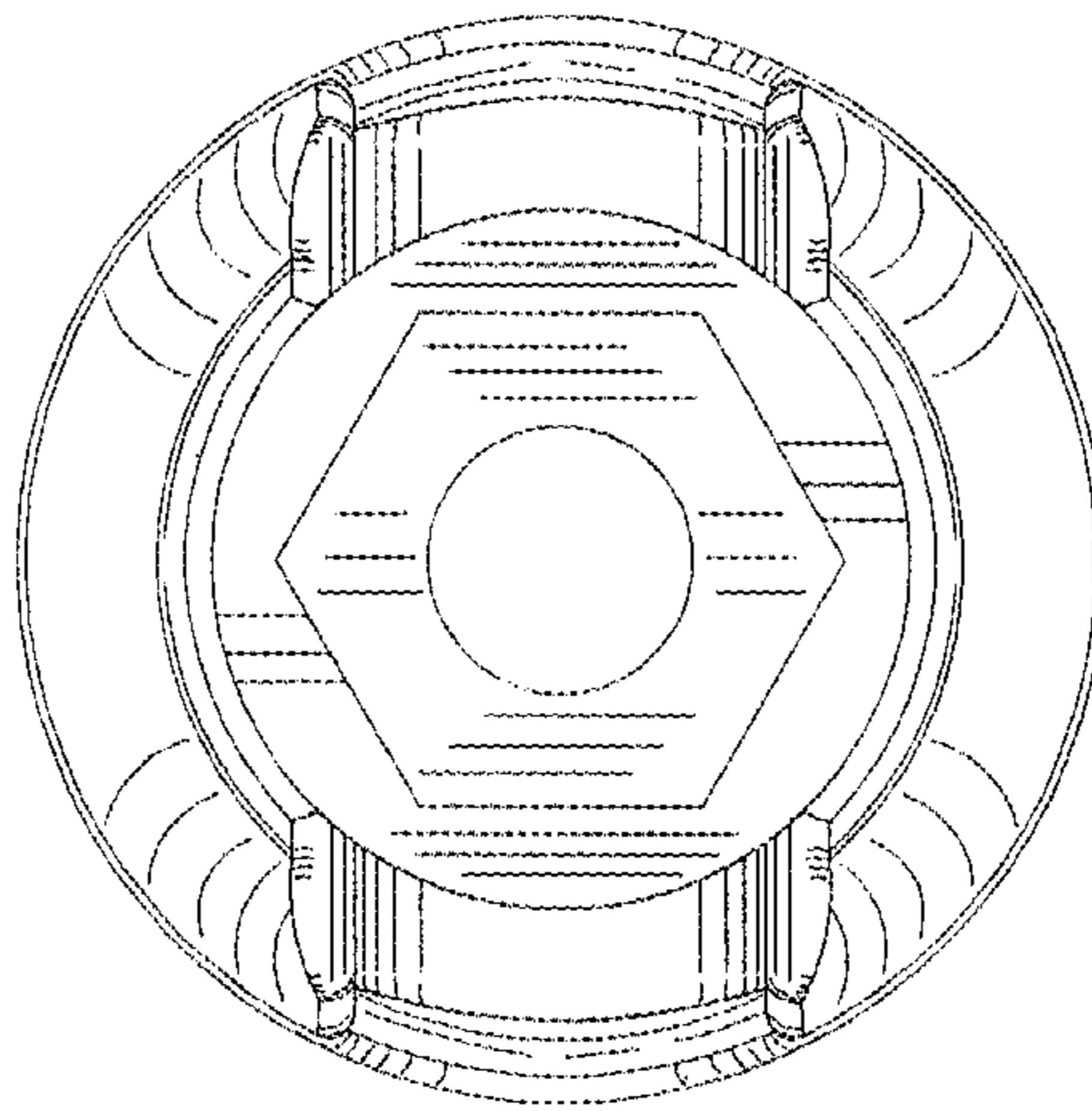


FIG. 4

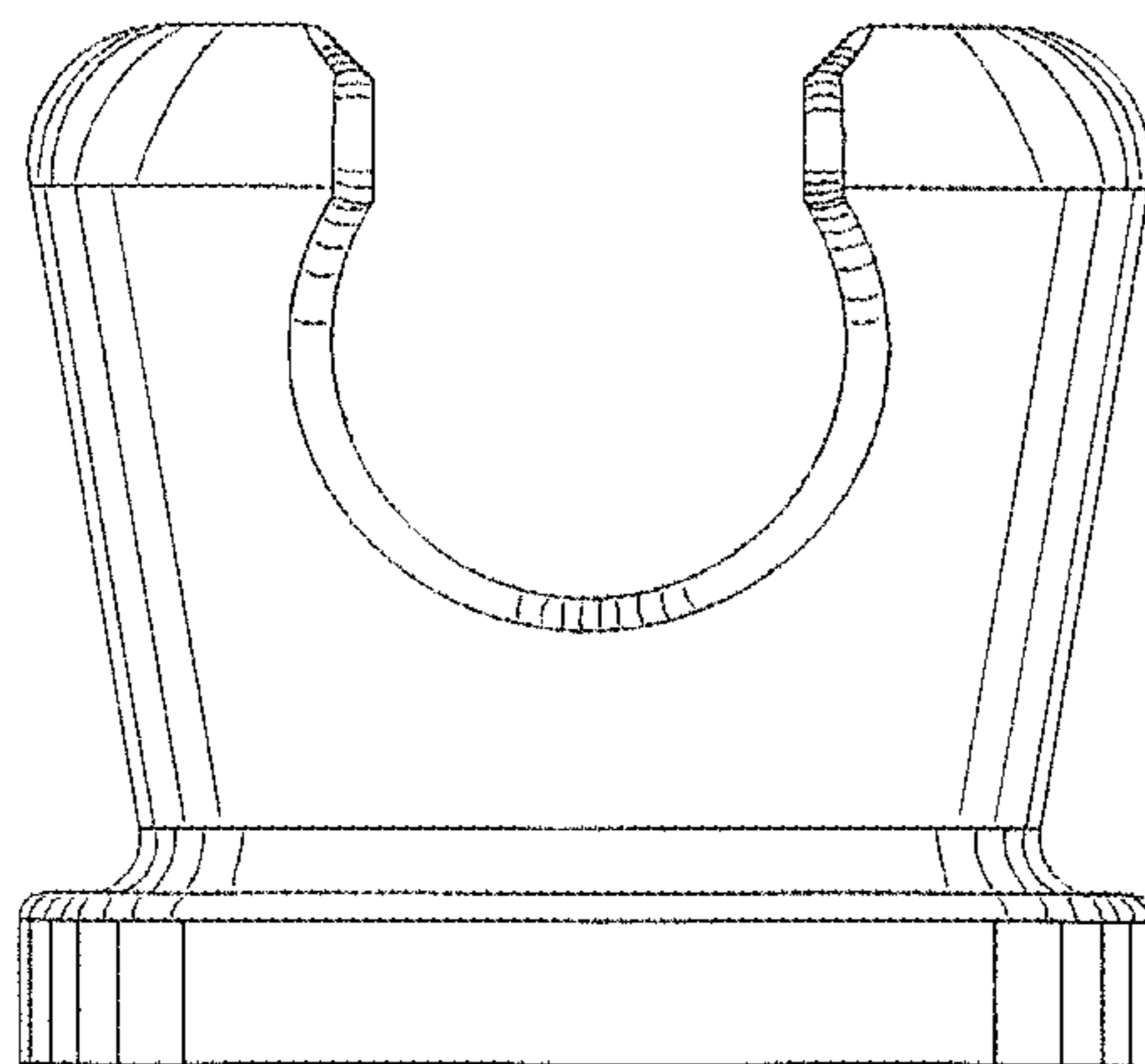


FIG. 3

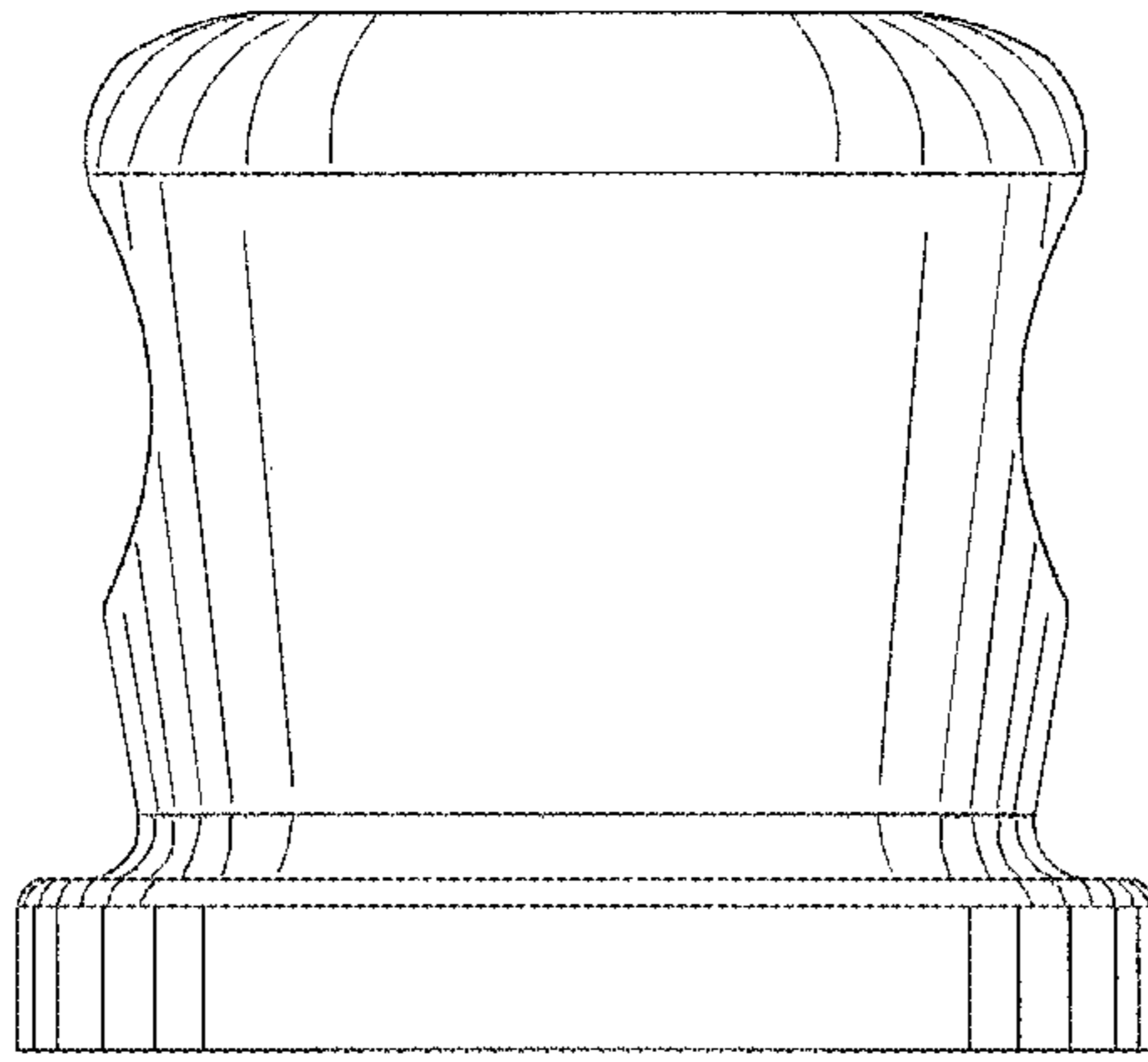


FIG. 8

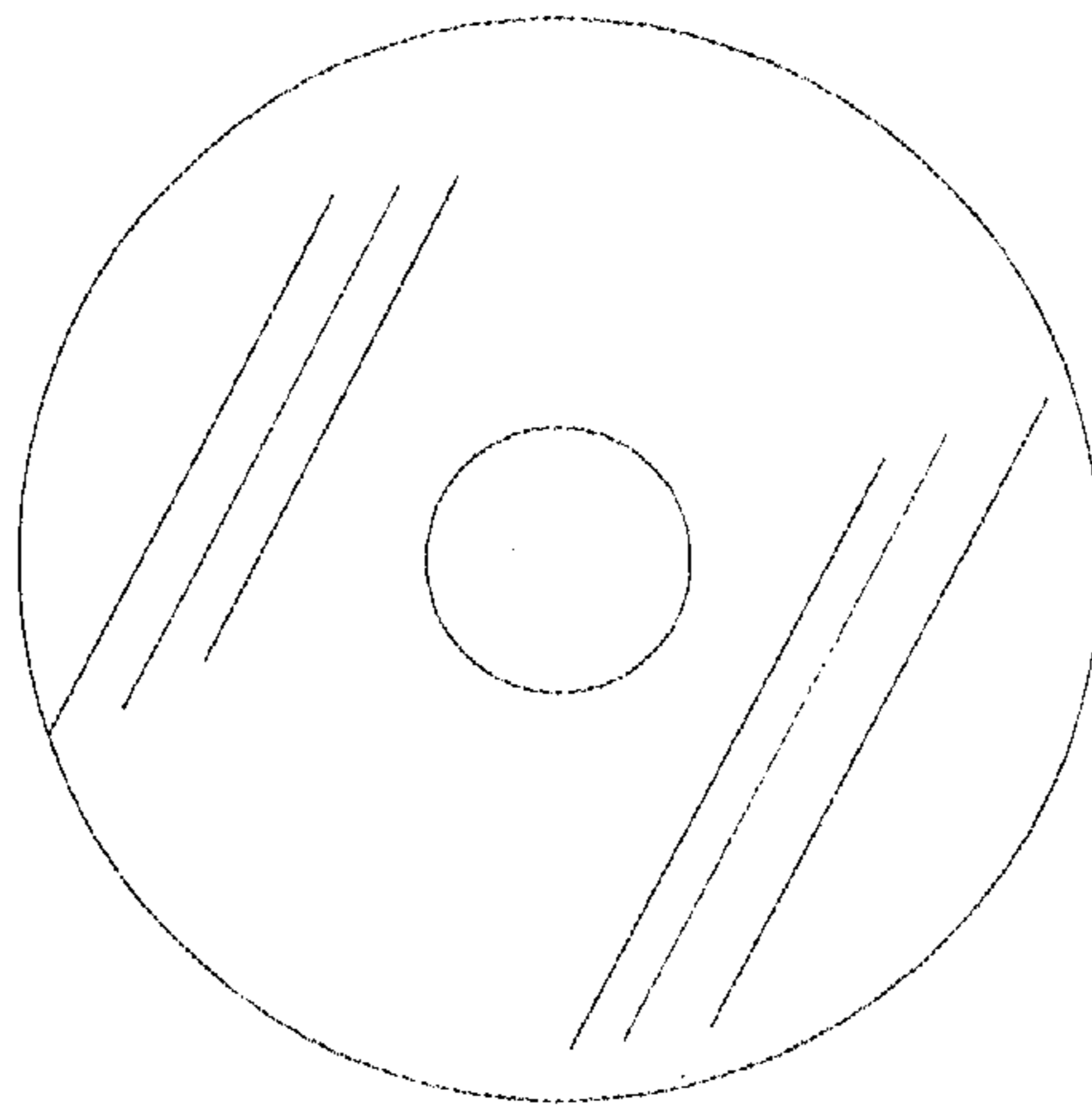


FIG. 7

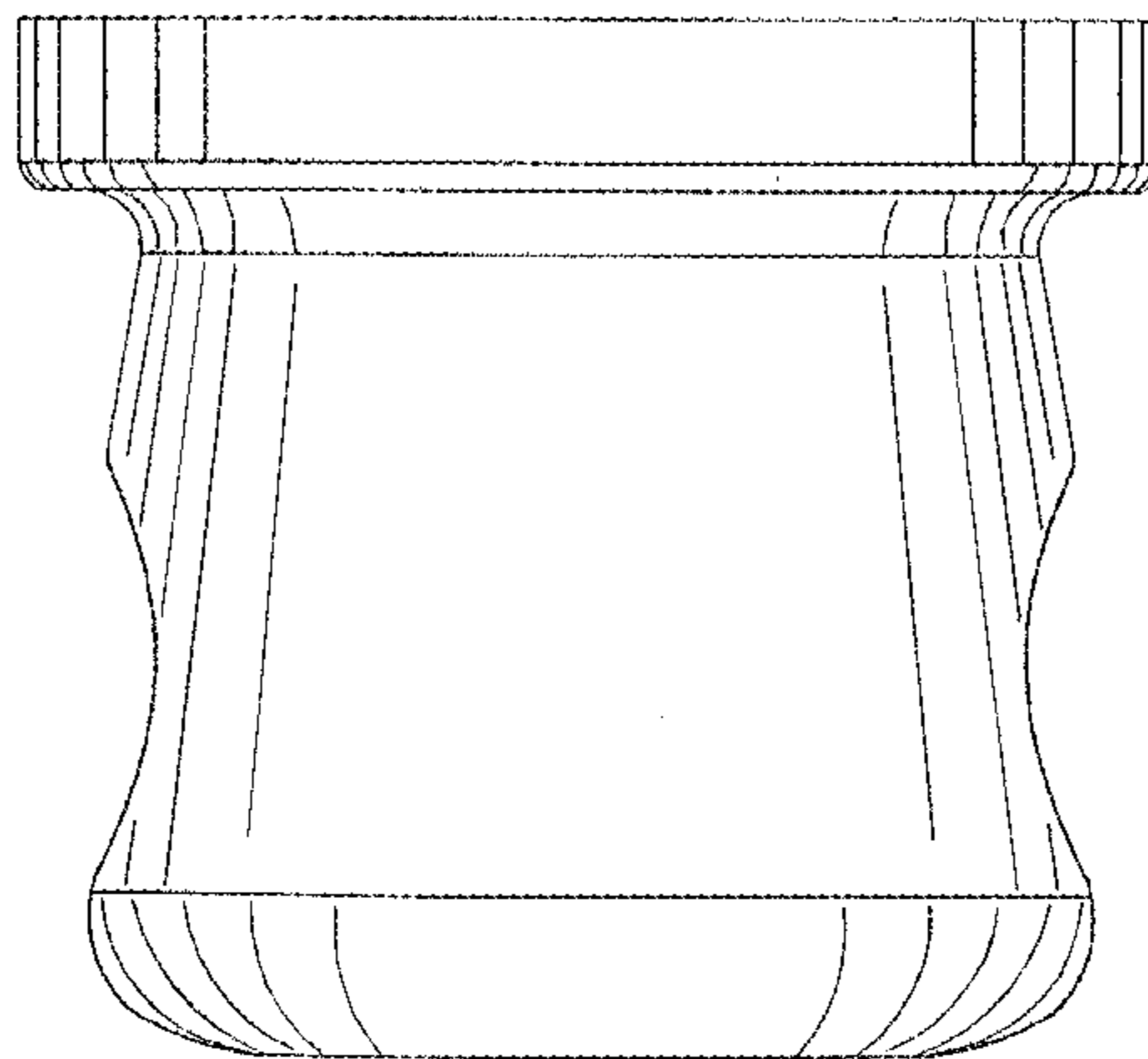


FIG. 6