



US00D761099S

(12) **United States Design Patent**
Seo et al.

(10) **Patent No.:** **US D761,099 S**
(45) **Date of Patent:** **** Jul. 12, 2016**

(54) **BRACKET FOR FIXING A SPRINKLER**

D513,171 S * 12/2005 Richardson D25/133
D522,834 S * 6/2006 Lalancette D8/396
D735,024 S * 7/2015 Liu D8/394
D749,940 S * 2/2016 Hermle D8/394

(71) Applicant: **Dongwoo Flexible metal tube Co., Ltd.**, Namyangju-si (KR)

* cited by examiner

(72) Inventors: **Myung-yul Seo**, Namyangju-si (KR);
Sung-ho Shin, Suwon-si (KR)

Primary Examiner — Ralf Seifert

(**) Term: **15 Years**

(74) *Attorney, Agent, or Firm* — Antonio Ha & U.S. Patent, LLC

(21) Appl. No.: **29/531,781**

(22) Filed: **Jun. 30, 2015**

(57) **CLAIM**

The ornamental design for a bracket for fixing a sprinkler, as shown and described.

(51) **LOC (10) Cl.** **08-08**

(52) **U.S. Cl.**

USPC **D8/394**

DESCRIPTION

(58) **Field of Classification Search**

USPC D8/394, 395, 396, 382, 72, 354, 356,
D8/355, 73, 371; 248/68.1, 74.3, 62;
285/420

CPC F16L 23/08; F16L 3/085; F16L 3/221;
F16L 3/137; F16L 3/08; E21F 17/02; Y10S
248/913

See application file for complete search history.

FIG. 1 is a perspective view of the ornamental design of the present invention;
FIG. 2 is a front view of the ornamental design of the present invention;
FIG. 3 is a rear view of the ornamental design of the present invention;
FIG. 4 is a left side view of the ornamental design of the present invention;
FIG. 5 is a right side view of the ornamental design of the present invention;
FIG. 6 is a top view of the ornamental design of the present invention; and,
FIG. 7 is a bottom view of the ornamental design of the present invention.

(56) **References Cited**

U.S. PATENT DOCUMENTS

4,483,334 A * 11/1984 Murray A61B 17/60
403/391
6,105,216 A * 8/2000 Opperthausen F16L 3/24
24/279
D484,399 S * 12/2003 Arthur D8/394

1 Claim, 7 Drawing Sheets

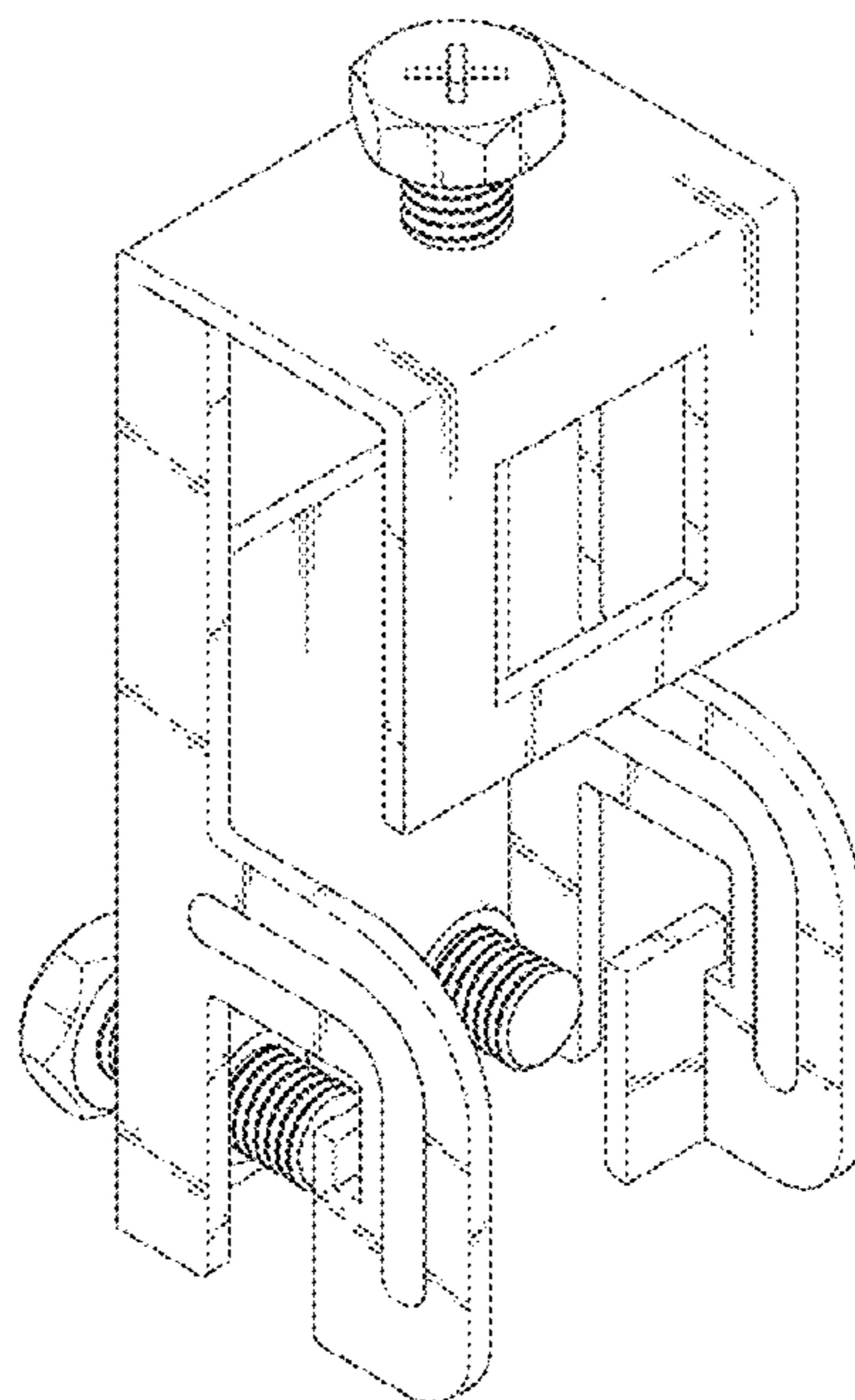


Fig. 1

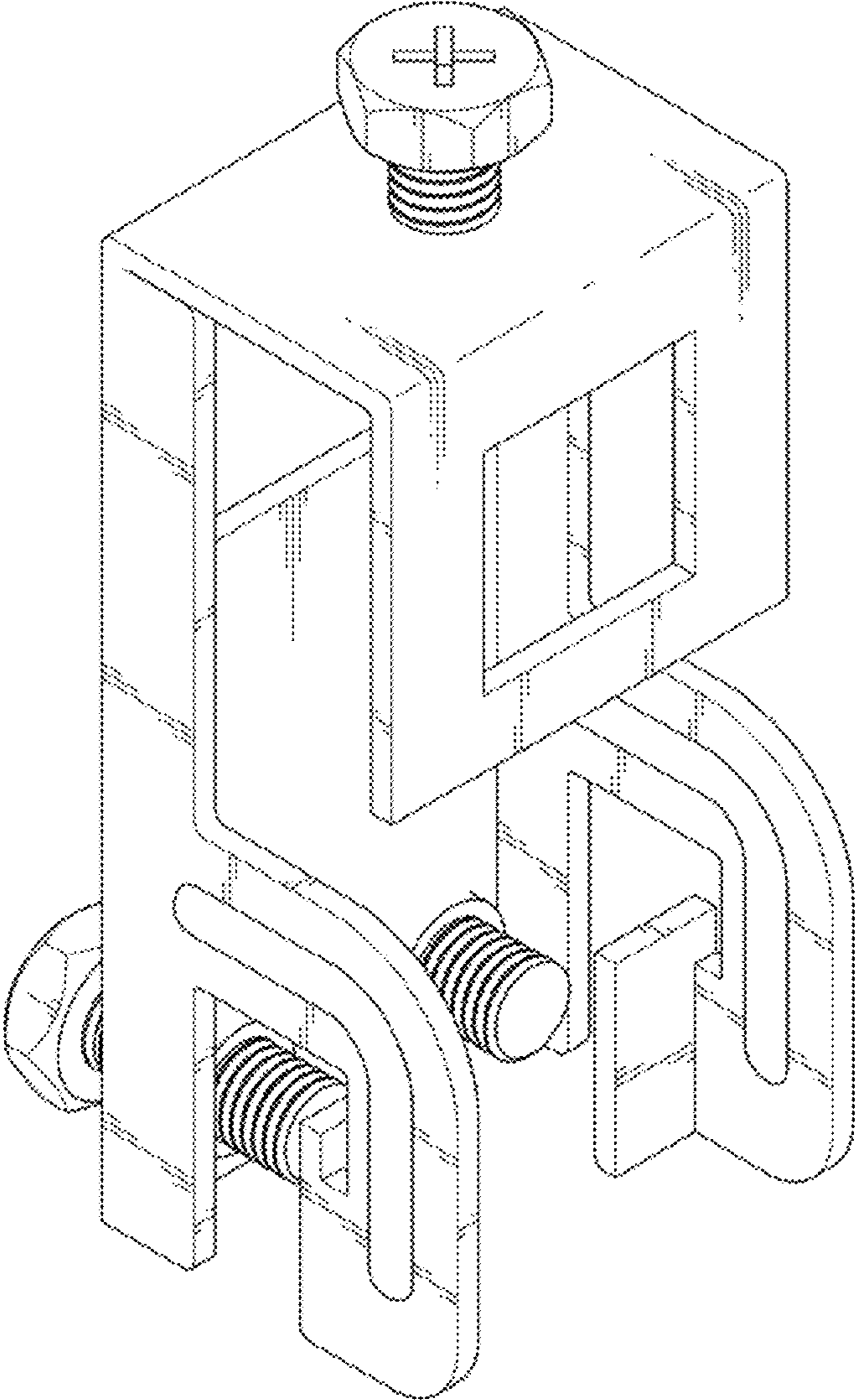


Fig. 2

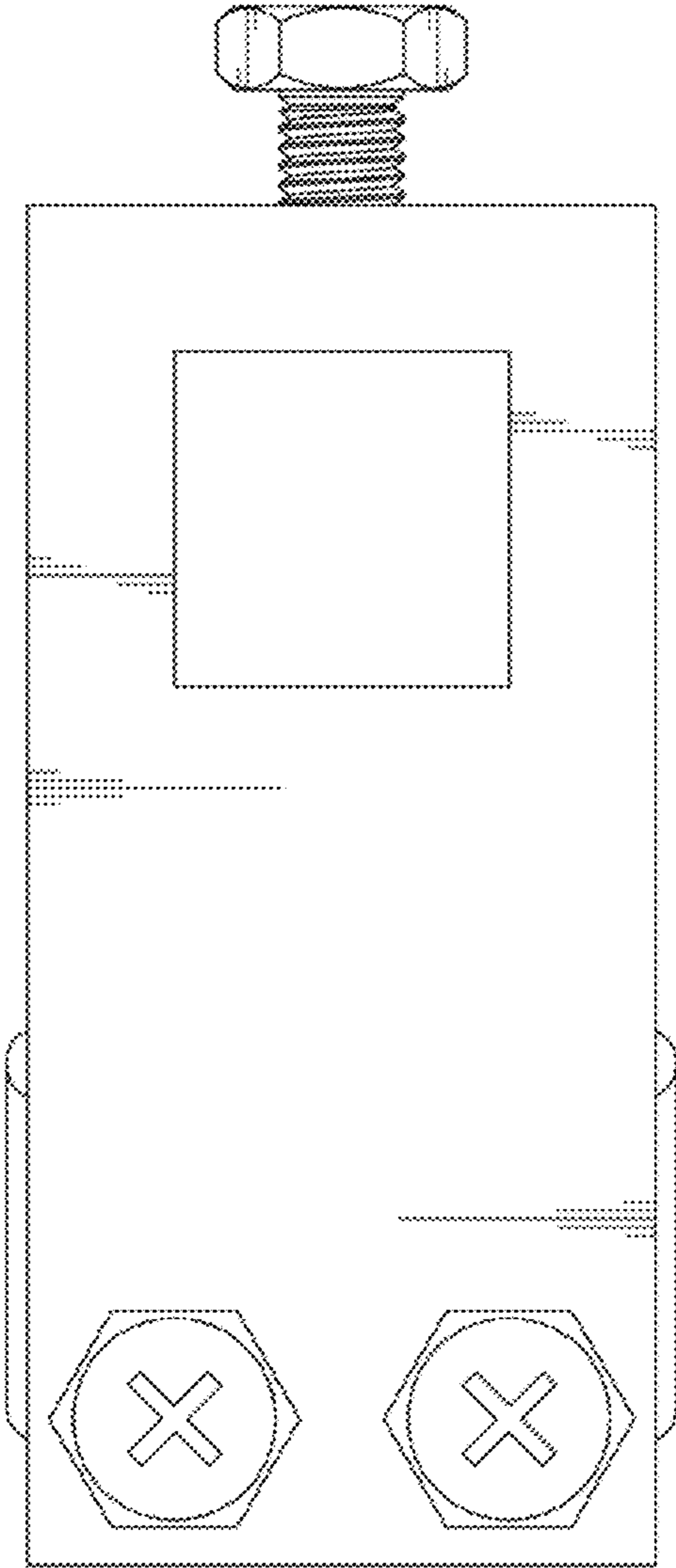


Fig. 3

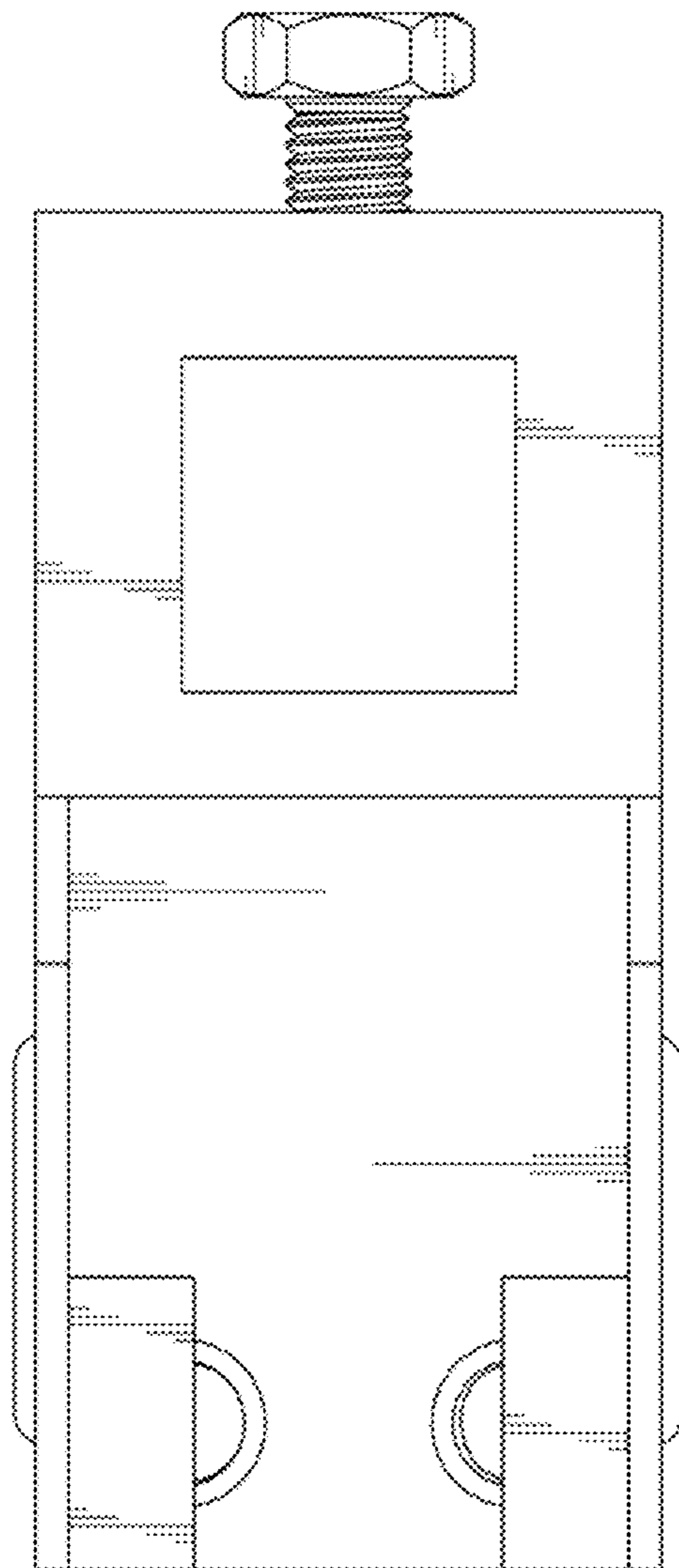


Fig. 4

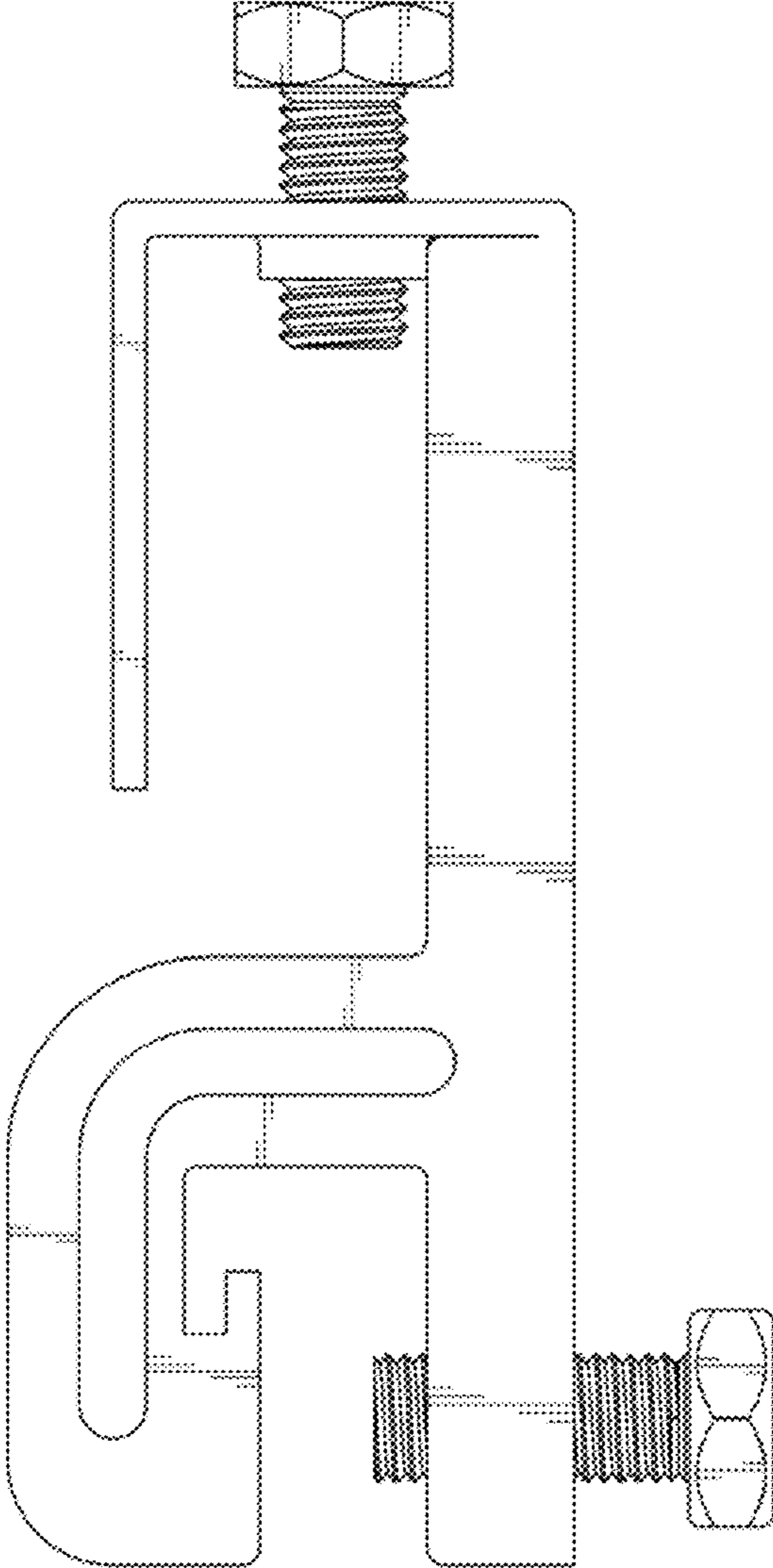


Fig. 5

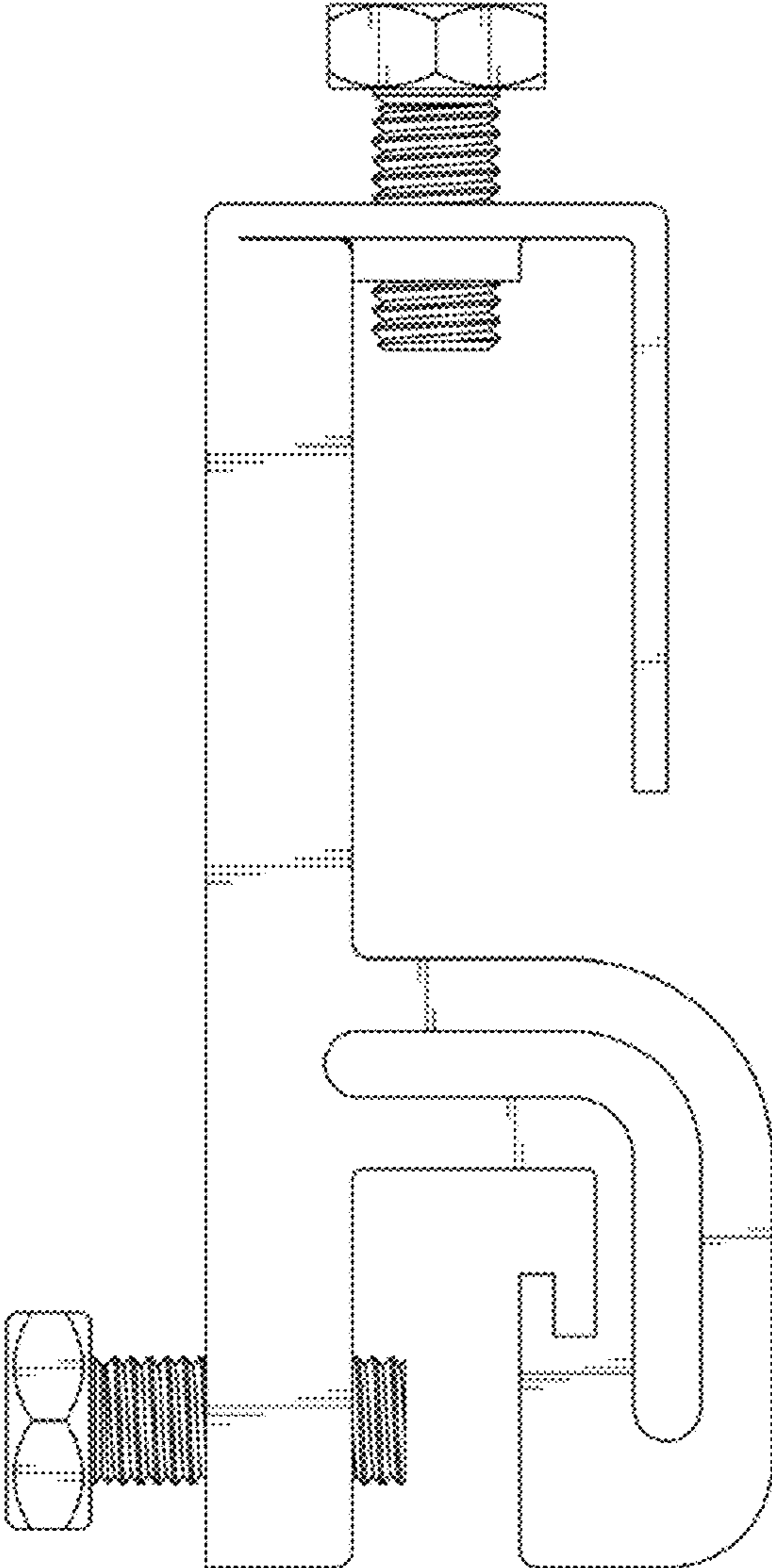


Fig. 6

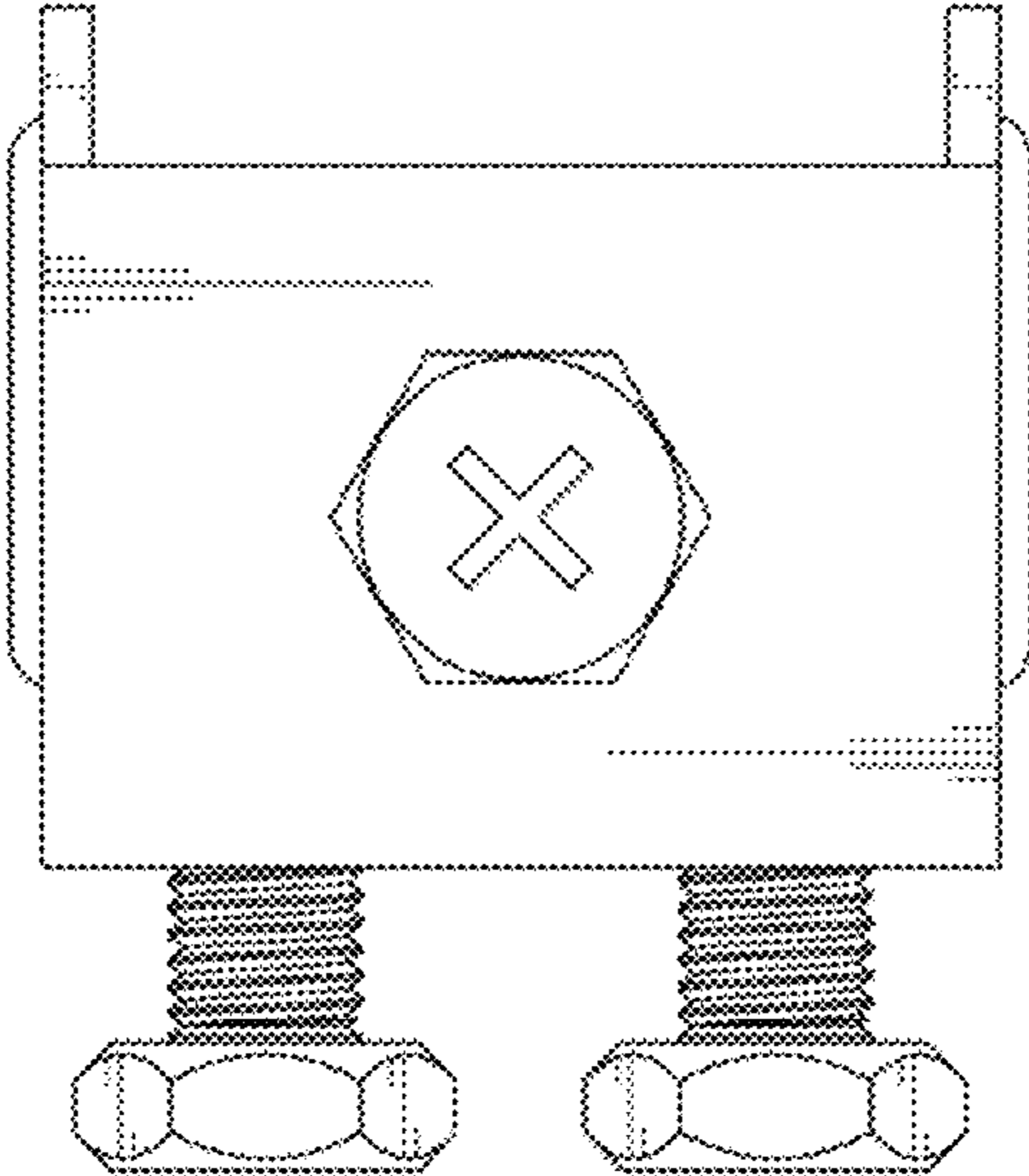


Fig. 7

