



US00D761098S

(12) **United States Design Patent**
Votel et al.

(10) **Patent No.:** **US D761,098 S**
(45) **Date of Patent:** **** Jul. 12, 2016**

- (54) **SUCTION CUP GRABBER**
- (71) Applicant: **Tenacious Holdings, Inc.**, St. Paul, MN (US)
- (72) Inventors: **Thomas Votel**, Sunfish Lake, MN (US);
Nate Bohmbach, Lakeville, MN (US);
Jeffery Popowski, Roseville, MN (US)
- (73) Assignee: **Tenacious Holdings, Inc.**, St. Paul, MN (US)
- (**) Term: **14 Years**
- (21) Appl. No.: **29/522,597**
- (22) Filed: **Apr. 1, 2015**
- (51) **LOC (10) Cl.** **08-08**
- (52) **U.S. Cl.**
USPC **D8/394**
- (58) **Field of Classification Search**
USPC D8/394, 395, 396, 382, 72, 354, 356,
D8/355, 73, 371; 248/68.1, 74.3, 62;
285/420; 24/336, 341, 297; 439/758
CPC F16L 23/08; F16L 3/085; F16L 3/221;
F16L 3/137; F16L 3/08; E21F 17/02; Y10S
248/913; A44B 21/00
See application file for complete search history.

- D308,263 S * 5/1990 Cook D26/140
- 4,957,117 A 9/1990 Wysham
- 5,164,545 A 11/1992 Kreinberg et al.
- D331,462 S 12/1992 Kraus et al.
- 5,325,868 A 7/1994 Kimmelstiel
- 5,423,331 A 6/1995 Wysham
- D368,169 S * 3/1996 Coker D6/315
- 5,687,458 A * 11/1997 Coker A45F 5/02
24/336
- 6,030,349 A 2/2000 Wilson et al.
- 6,631,538 B1 10/2003 Carr
- 6,872,192 B2 3/2005 Nash et al.
- D522,851 S 6/2006 Votel
- 7,073,231 B2 * 7/2006 Draggoo B60R 13/0206
24/297
- 7,144,378 B2 12/2006 Arnott
- D537,328 S 2/2007 Votel
- 7,213,307 B2 * 5/2007 Votel A45F 5/004
24/336
- 7,322,851 B2 1/2008 Brookmire
- 7,503,119 B2 3/2009 Schmode
- D622,584 S * 8/2010 Byron D8/395
- D625,996 S * 10/2010 Witty D8/396

(Continued)

Primary Examiner — Ralf Seifert
(74) *Attorney, Agent, or Firm* — Skaar Ulbrich Macari, P.A.

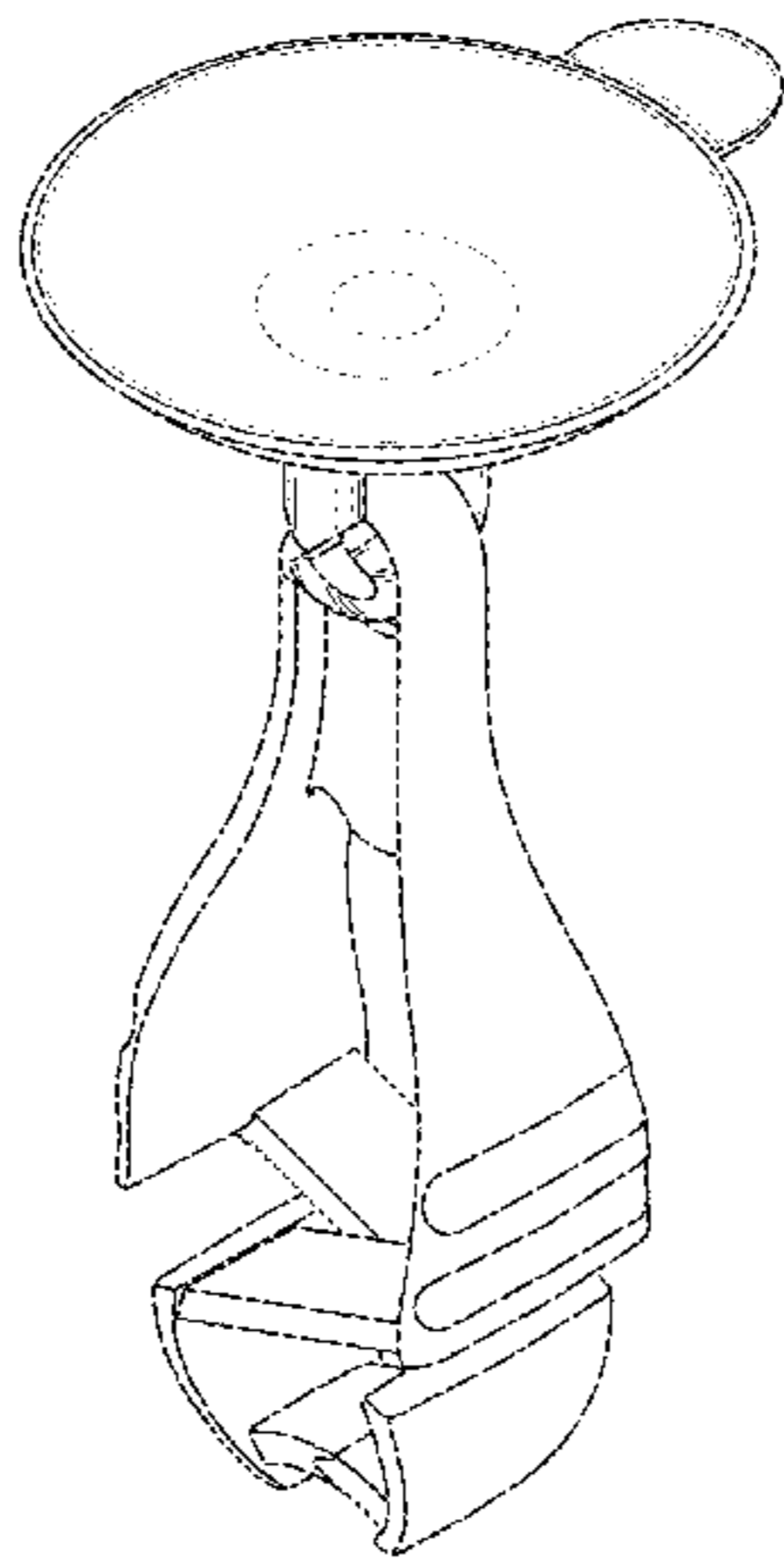
(57) **CLAIM**
We claim the ornamental design for a suction cup grabber, as shown and described.

DESCRIPTION

FIG. 1 is a perspective view of our suction cup grabber invention.
FIG. 2 is a front elevation view of thereof.
FIG. 3 is a rear elevation view thereof.
FIG. 4 is a side elevation view thereof.
FIG. 5 is a side elevation view thereof.
FIG. 6 is a top plan view thereof; and,
FIG. 7 is a bottom plan view thereof.
The broken lines in the drawings illustrate features of the article to which the design is applied that form no part of the claim.

1 Claim, 7 Drawing Sheets

- (56) **References Cited**
U.S. PATENT DOCUMENTS
- 1,133,388 A 3/1915 Merrill
- 2,025,848 A 12/1935 Collis
- 2,922,209 A 1/1960 Longhi
- 3,043,902 A 7/1962 Klein
- 3,388,227 A 6/1968 Basso et al.
- 3,616,497 A 11/1971 Esposito, Jr.
- D249,927 S * 10/1978 Takahashi 47/6
- 4,429,852 A 2/1984 Tersteegen et al.
- 4,598,708 A 7/1986 Beranek
- 4,618,208 A 10/1986 Igarashi
- 4,765,335 A 8/1988 Schmidt et al.
- 4,829,999 A 5/1989 Auth



(56)

References Cited

U.S. PATENT DOCUMENTS

D640,923 S *	7/2011	Kim	D8/394	2006/0260132 A1	11/2006	Schmode
8,341,808 B2 *	1/2013	Vermillion	A45F 5/02 24/336	2007/0004991 A1	1/2007	Shelton
2003/0229297 A1	12/2003	Christensen et al.		2007/0178759 A1	8/2007	Brookmire
				2007/0219467 A1	9/2007	Clark et al.
				2007/0270755 A1	11/2007	Von Oepen et al.
				2009/0076417 A1	3/2009	Jones
				2010/0191152 A1	7/2010	Boutillette et al.

* cited by examiner

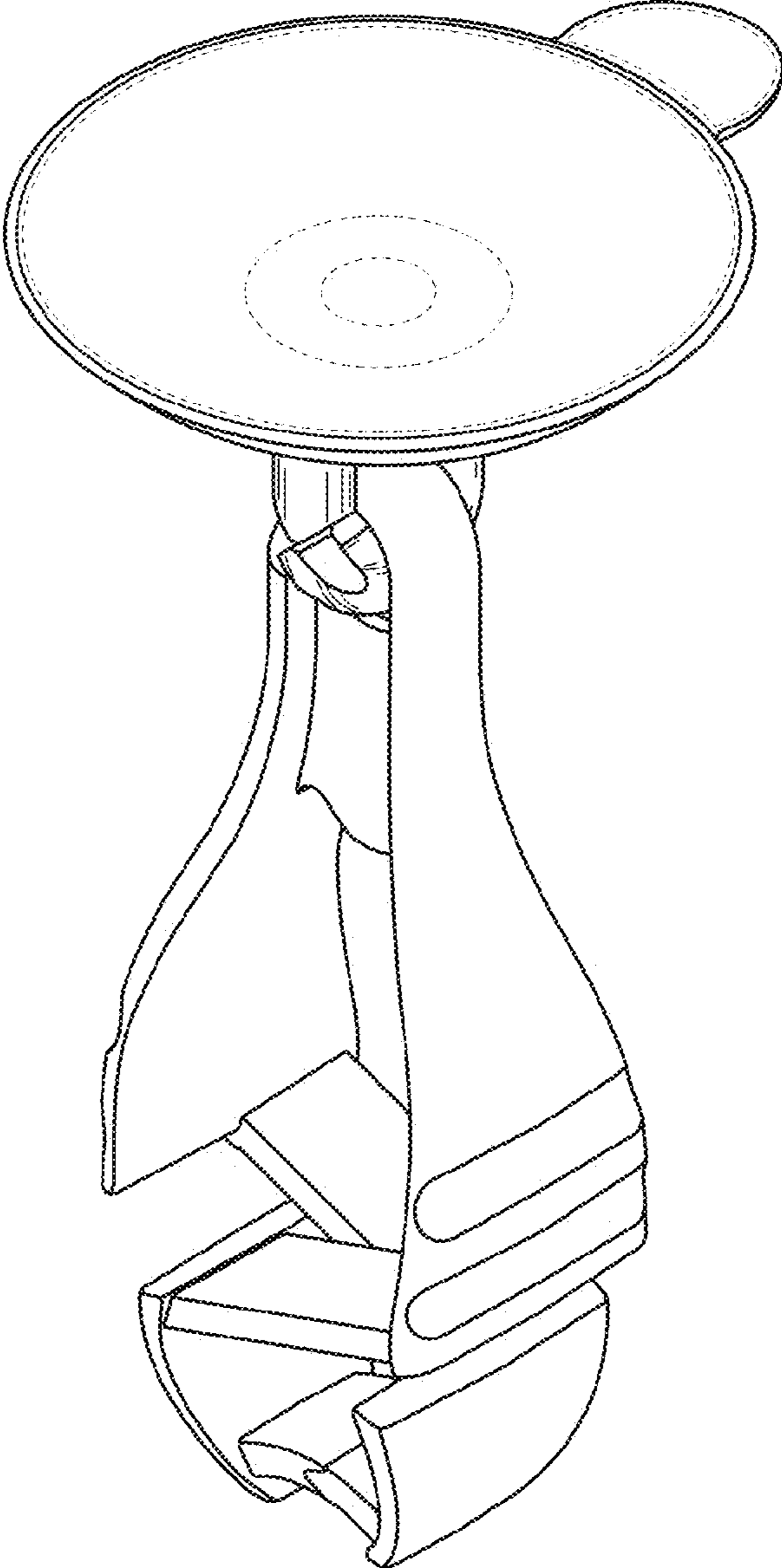


Fig. 1

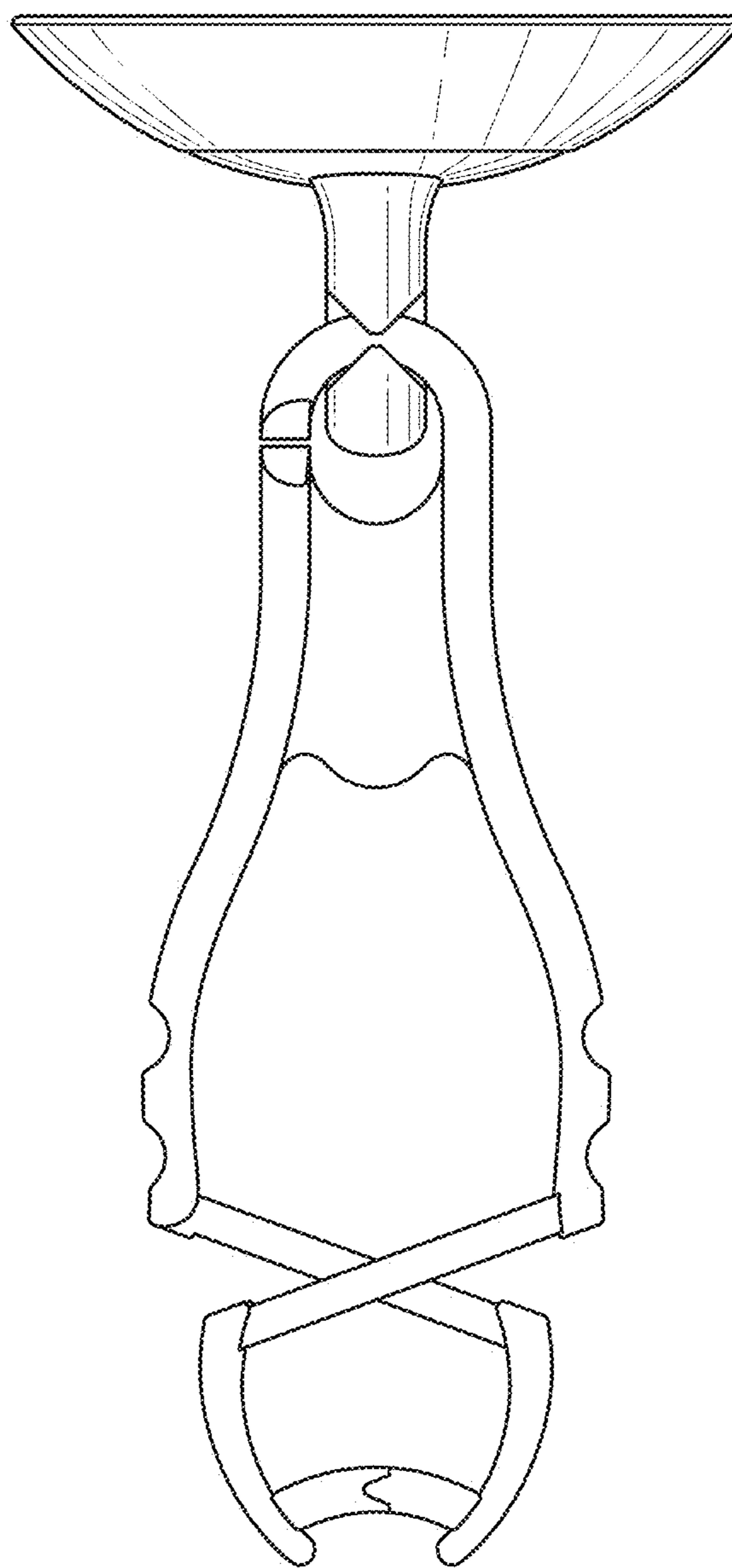


Fig. 2

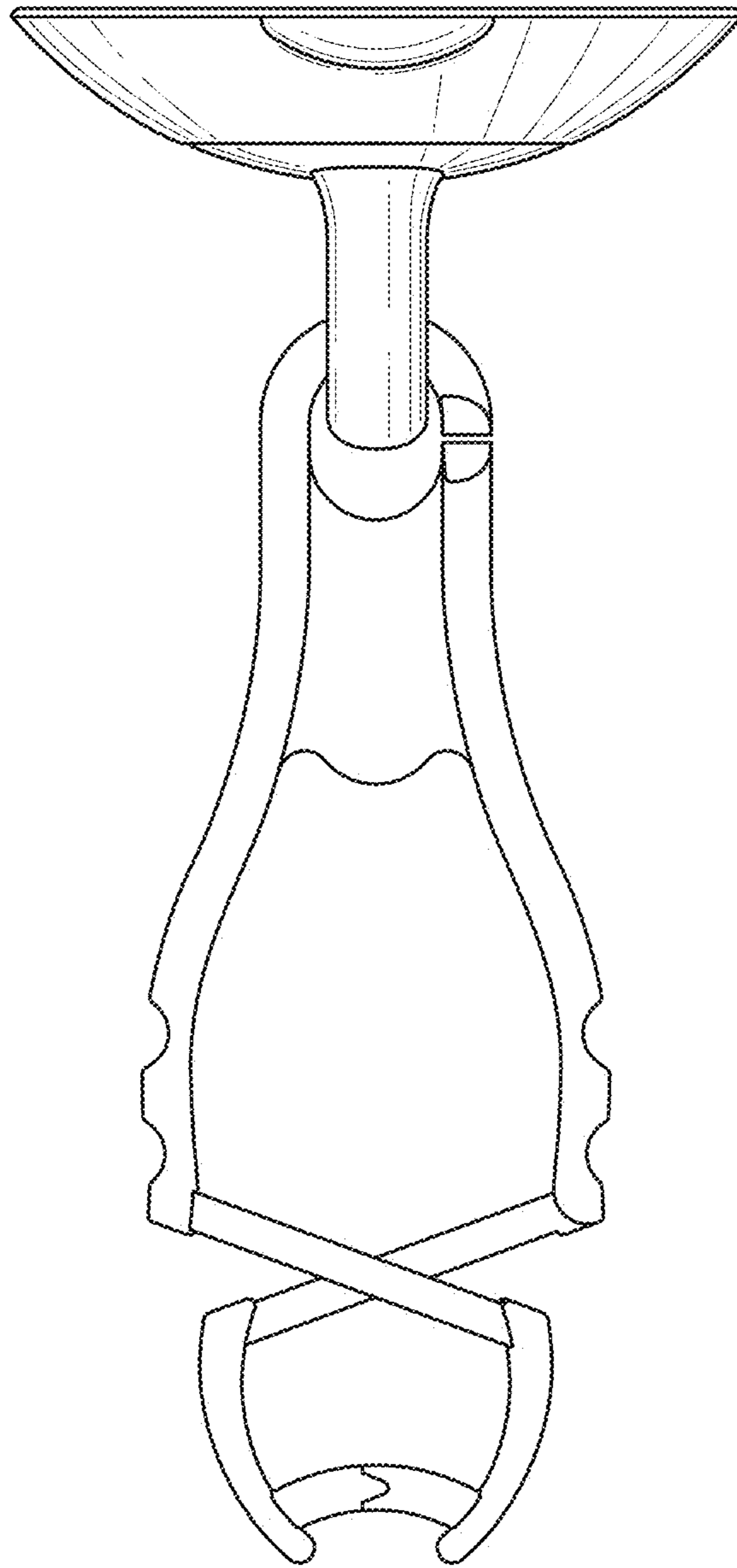


Fig. 3

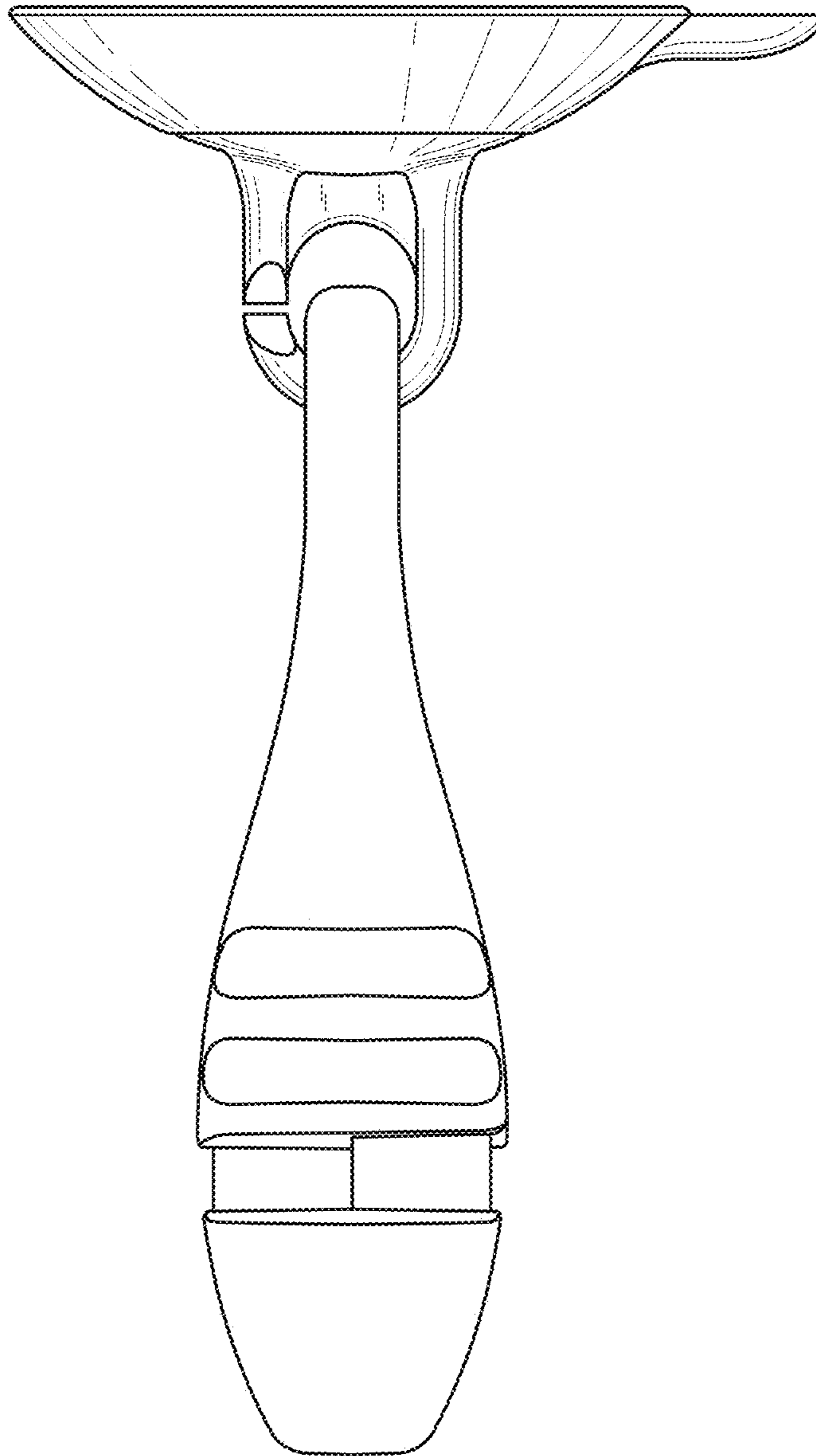


Fig. 4

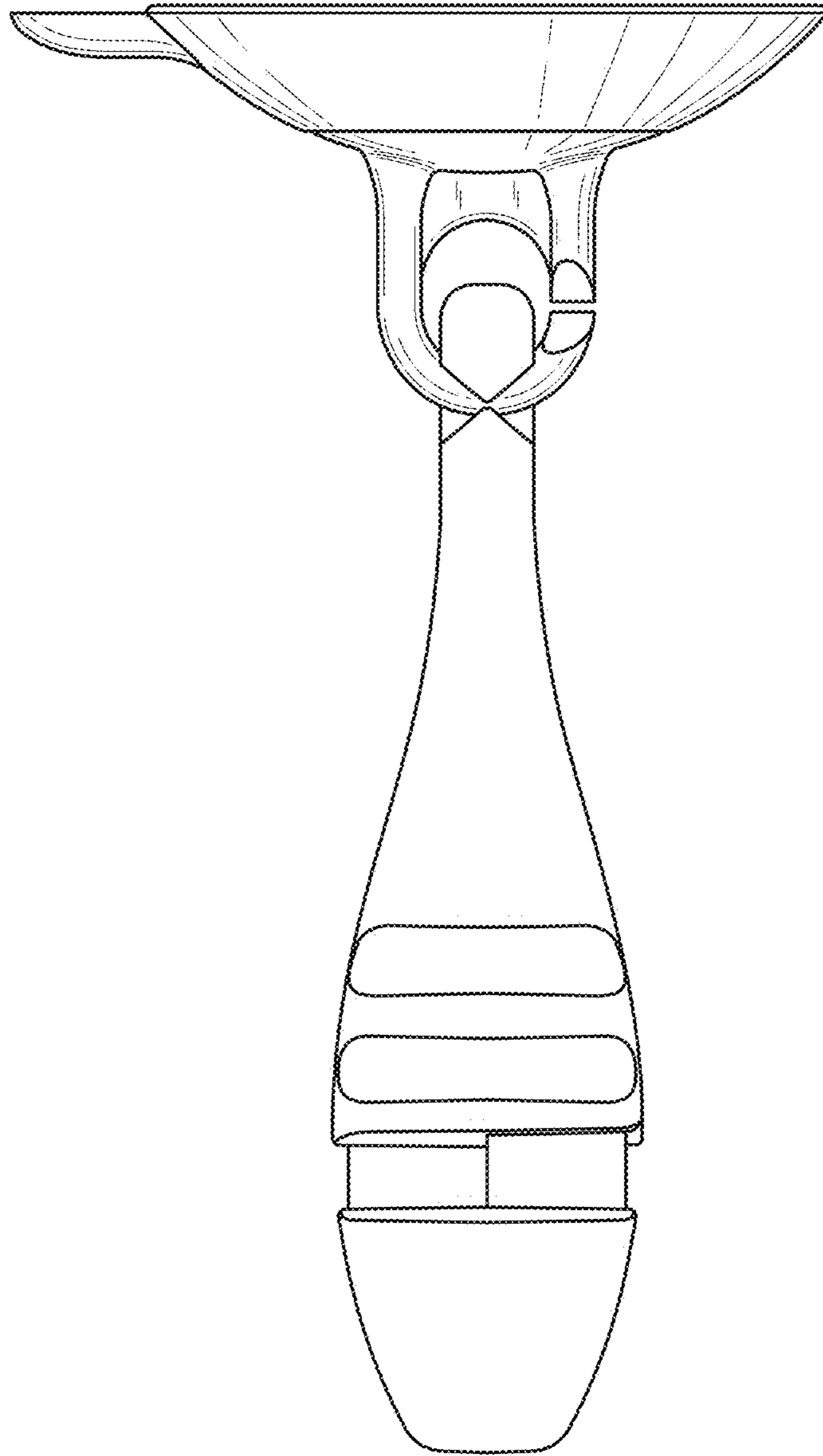


Fig. 5

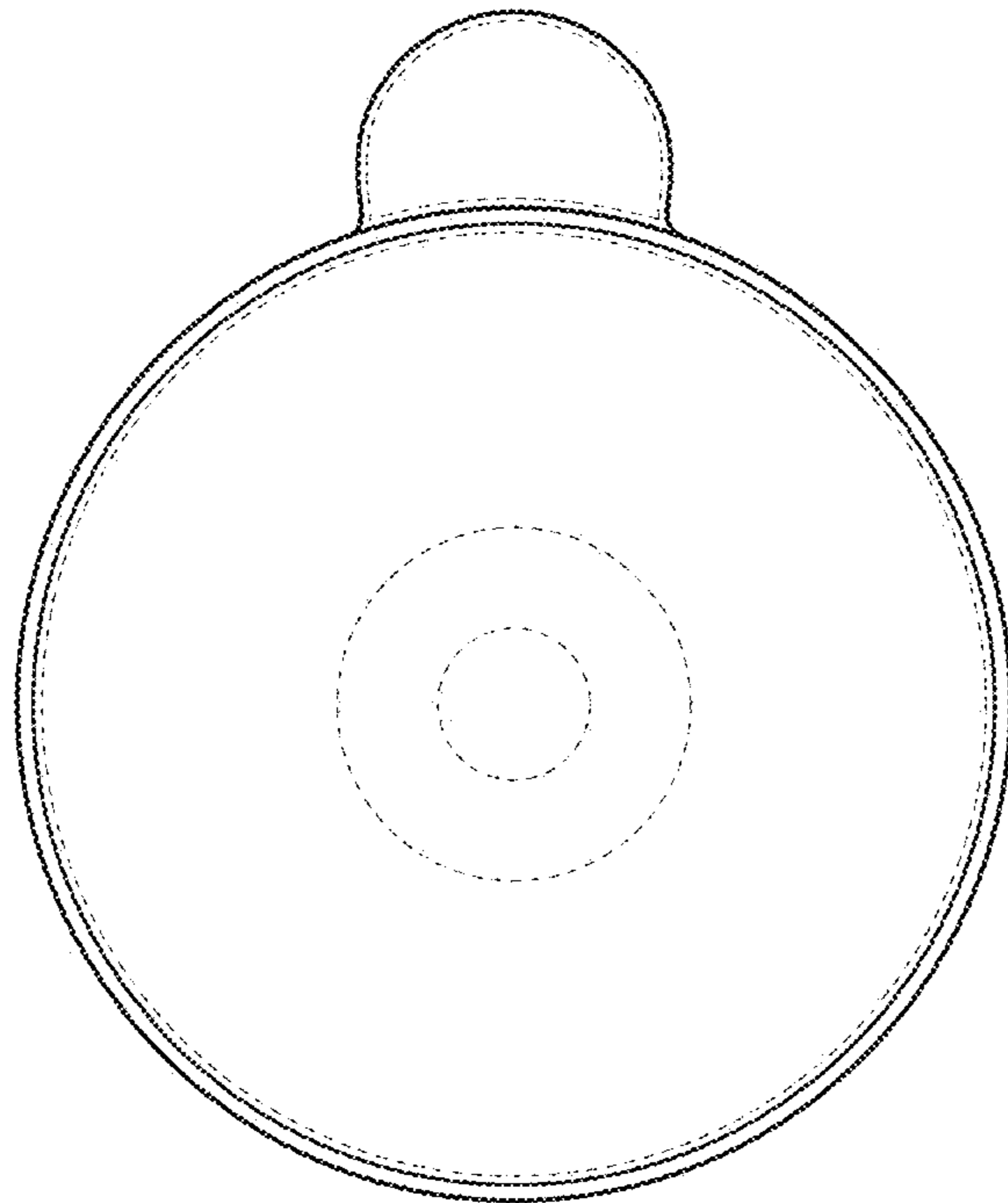


Fig. 6

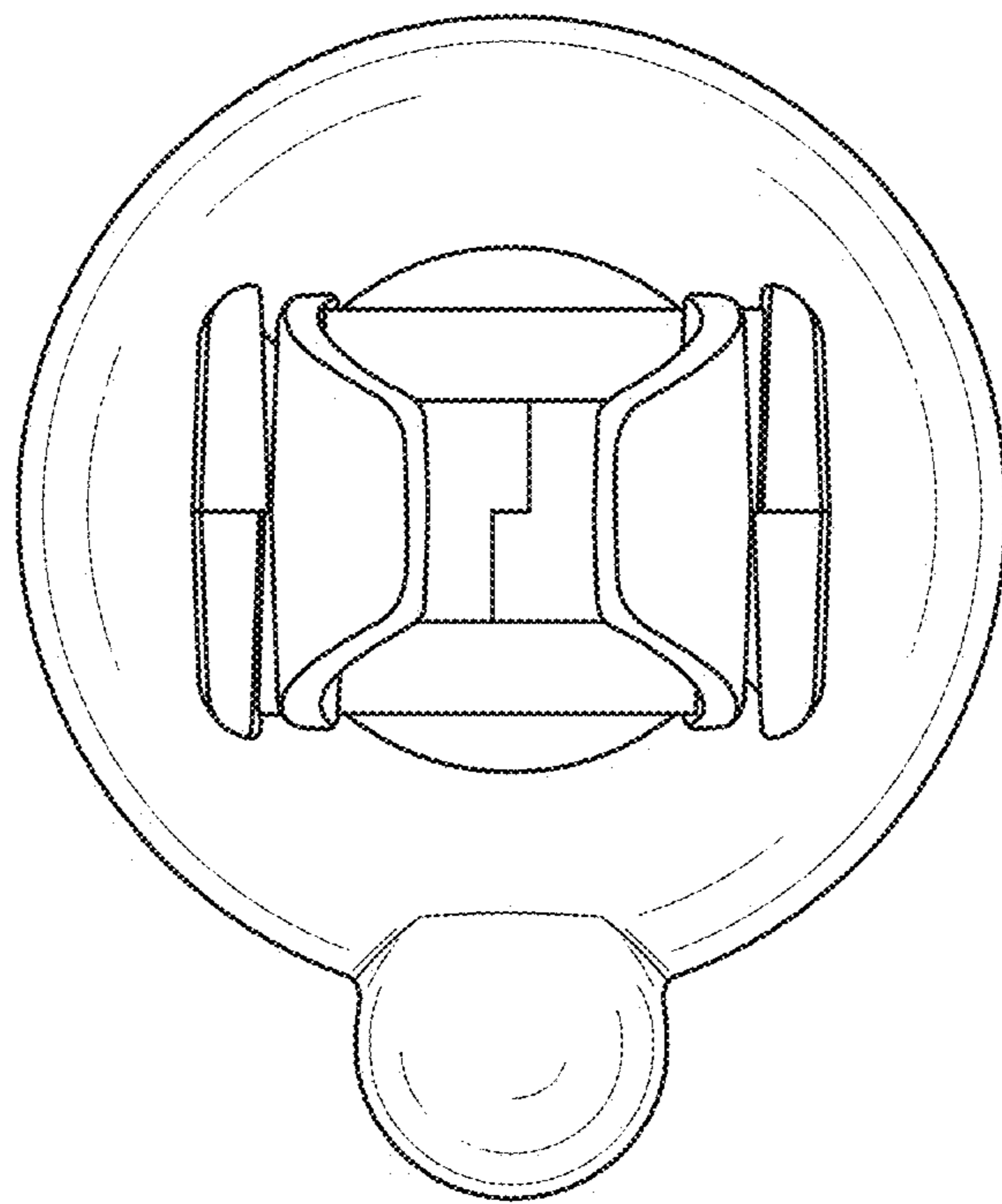


Fig. 7