



US00D761096S

(12) **United States Design Patent**  
**Pace et al.**

(10) **Patent No.:** **US D761,096 S**  
(45) **Date of Patent:** **\*\* Jul. 12, 2016**

(54) **CONNECTION MEMBER FOR A MODULAR SUPPORT FRAME**

(71) Applicant: **Revolution Display, LLC**, Glendale, CA (US)

(72) Inventors: **Vincent M. Pace**, Sherman Oaks, CA (US); **Patrick Campbell**, Canyon Country, CA (US)

(73) Assignee: **Revolution Display, LLC**, Glendale, CA (US)

(\*\*) Term: **14 Years**

(21) Appl. No.: **29/526,445**

(22) Filed: **May 8, 2015**

(51) **LOC (10) Cl.** ..... **08-08**

(52) **U.S. Cl.**  
USPC ..... **D8/382**

(58) **Field of Classification Search**  
USPC ..... D6/702; D8/349, 354, 380, 381, 382, D8/499; D14/314, 432, 451, 299; D25/68  
CPC ..... A47B 13/003; F16B 12/02; F16B 12/06; F16B 12/10; F16B 12/28; F16B 12/30; F16B 12/32; F16B 12/44; F16B 2012/443; F16B 2012/446; F16B 12/46; F16B 12/50; F16B 12/52

See application file for complete search history.

(56) **References Cited**

**U.S. PATENT DOCUMENTS**

- 484,708 A \* 10/1892 Gates ..... E02D 17/04 16/13
- D234,908 S \* 4/1975 Maslow ..... D8/381
- 4,030,846 A \* 6/1977 Flototto ..... F16B 12/24 403/231
- 5,291,643 A \* 3/1994 Boeglin ..... A47B 13/003 29/283
- 5,497,593 A \* 3/1996 Riesberg ..... E04B 5/12 403/232.1
- 6,205,739 B1 \* 3/2001 Newlin ..... E04B 1/19 52/645
- D447,045 S \* 8/2001 Hundley ..... D25/114

- 7,461,431 B2 \* 12/2008 Zoroufy ..... A47G 27/065 16/10
- D629,920 S \* 12/2010 Tezak ..... D25/114
- D687,698 S \* 8/2013 Machijima ..... D8/354
- D715,339 S \* 10/2014 Oetlinger ..... D15/138
- 2015/0043968 A1 \* 2/2015 Broughton ..... F16B 12/10 403/376

\* cited by examiner

*Primary Examiner* — Sheryl Lane

*Assistant Examiner* — Ieisha Price

(74) *Attorney, Agent, or Firm* — Downs Rachlin Martin PLLC

(57) **CLAIM**

The ornamental design for a connection member for a modular support frame, as shown and described.

**DESCRIPTION**

FIG. 1 is a perspective view of the first embodiment of a connection member for a modular support frame showing our new design;

FIG. 2 is a front view thereof;

FIG. 3 is a rear view thereof;

FIG. 4 is a side view thereof;

FIG. 5 is a second side view thereof;

FIG. 6 is a top view thereof;

FIG. 7 is a bottom view thereof;

FIG. 8 is a perspective view of the second embodiment of a connection member for a modular support frame showing our new design;

FIG. 9 is a front view thereof;

FIG. 10 is a rear view thereof;

FIG. 11 is a side view thereof;

FIG. 12 is a second side view thereof;

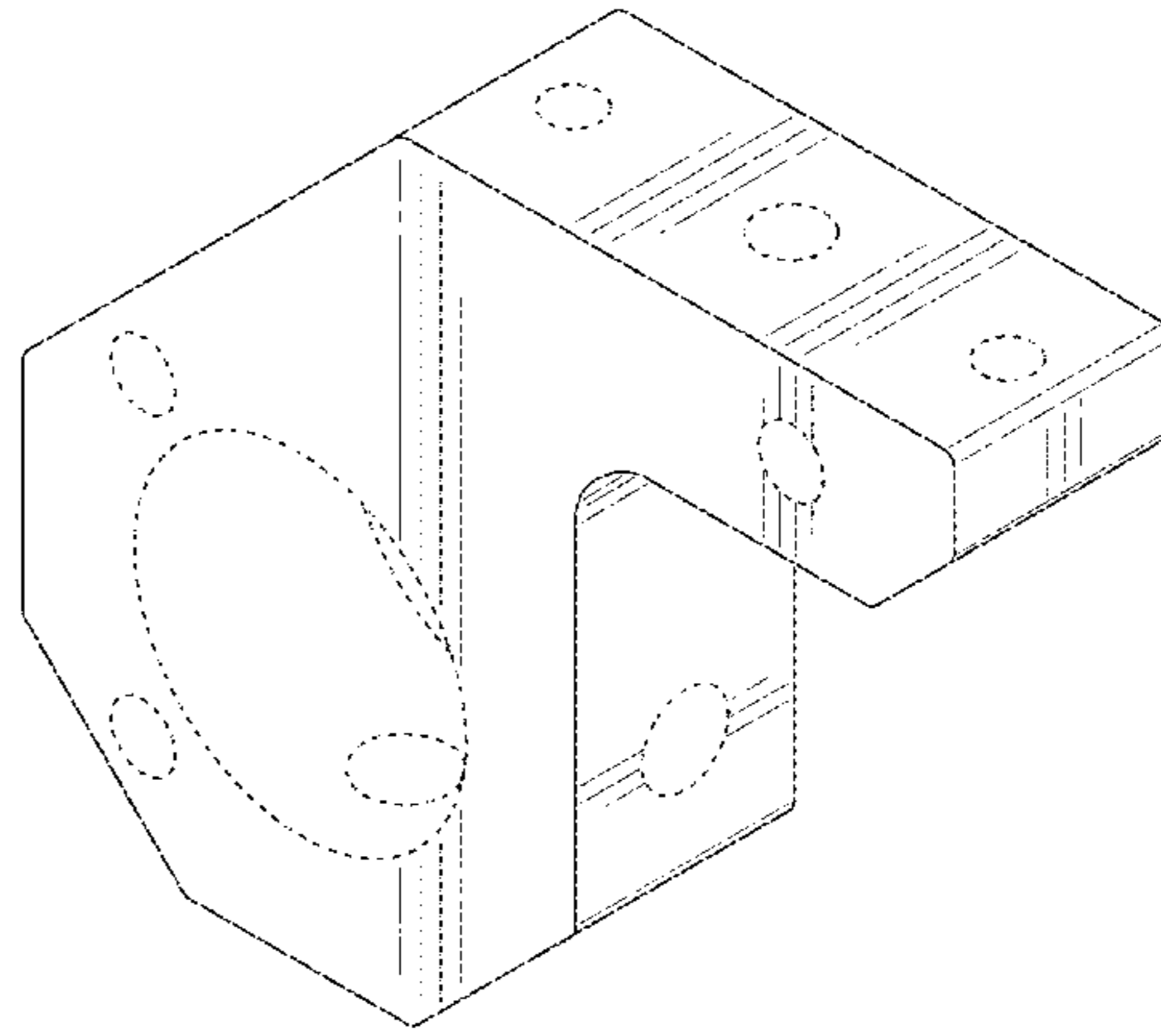
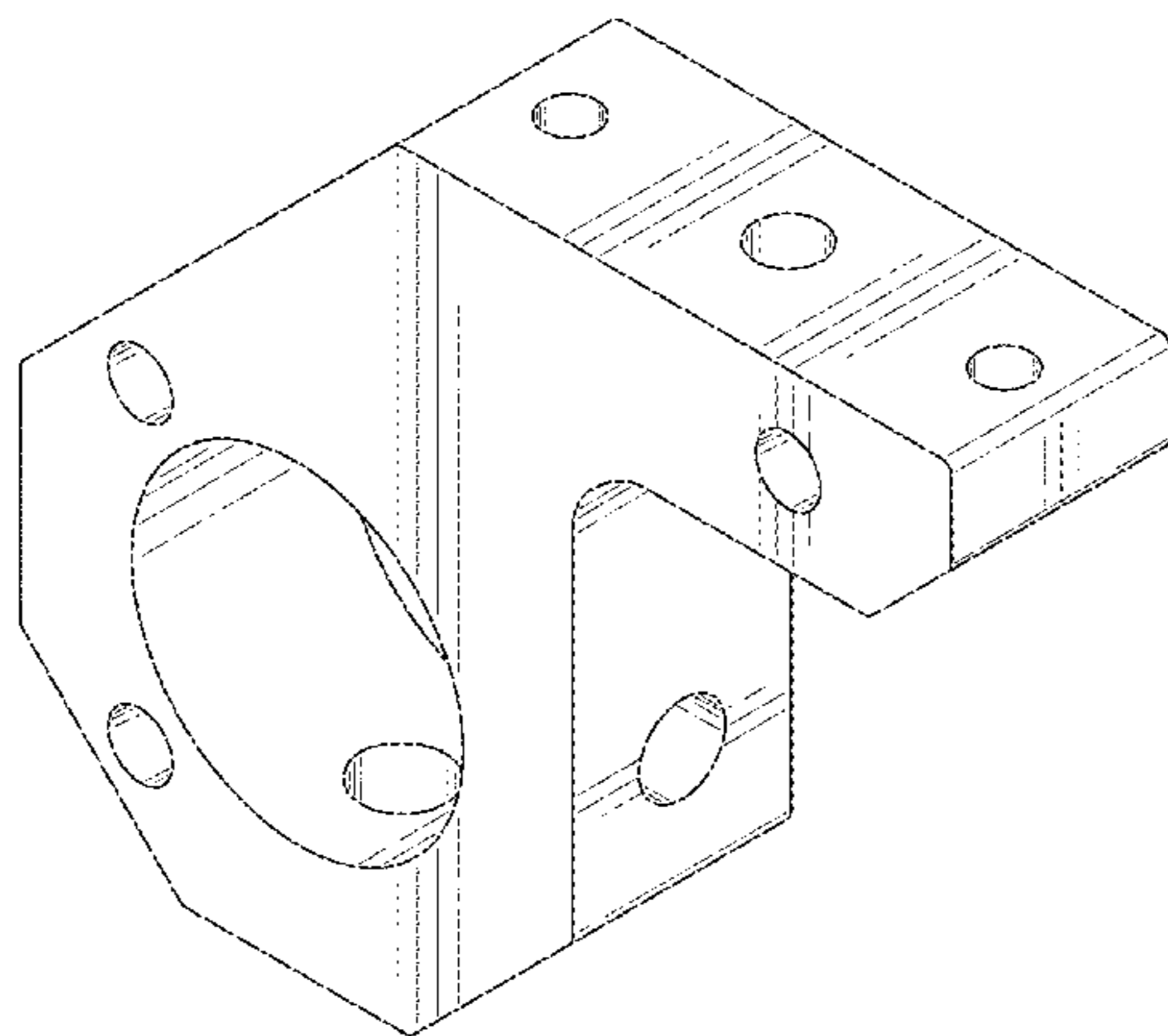
FIG. 13 is a top view thereof; and,

FIG. 14 is a bottom view thereof.

The broken lines in the drawings illustrate portions of the connection member for a modular support frame and form no part of the claimed design.

The shade lines in the Figures show contour and not surface ornamentation.

**1 Claim, 14 Drawing Sheets**



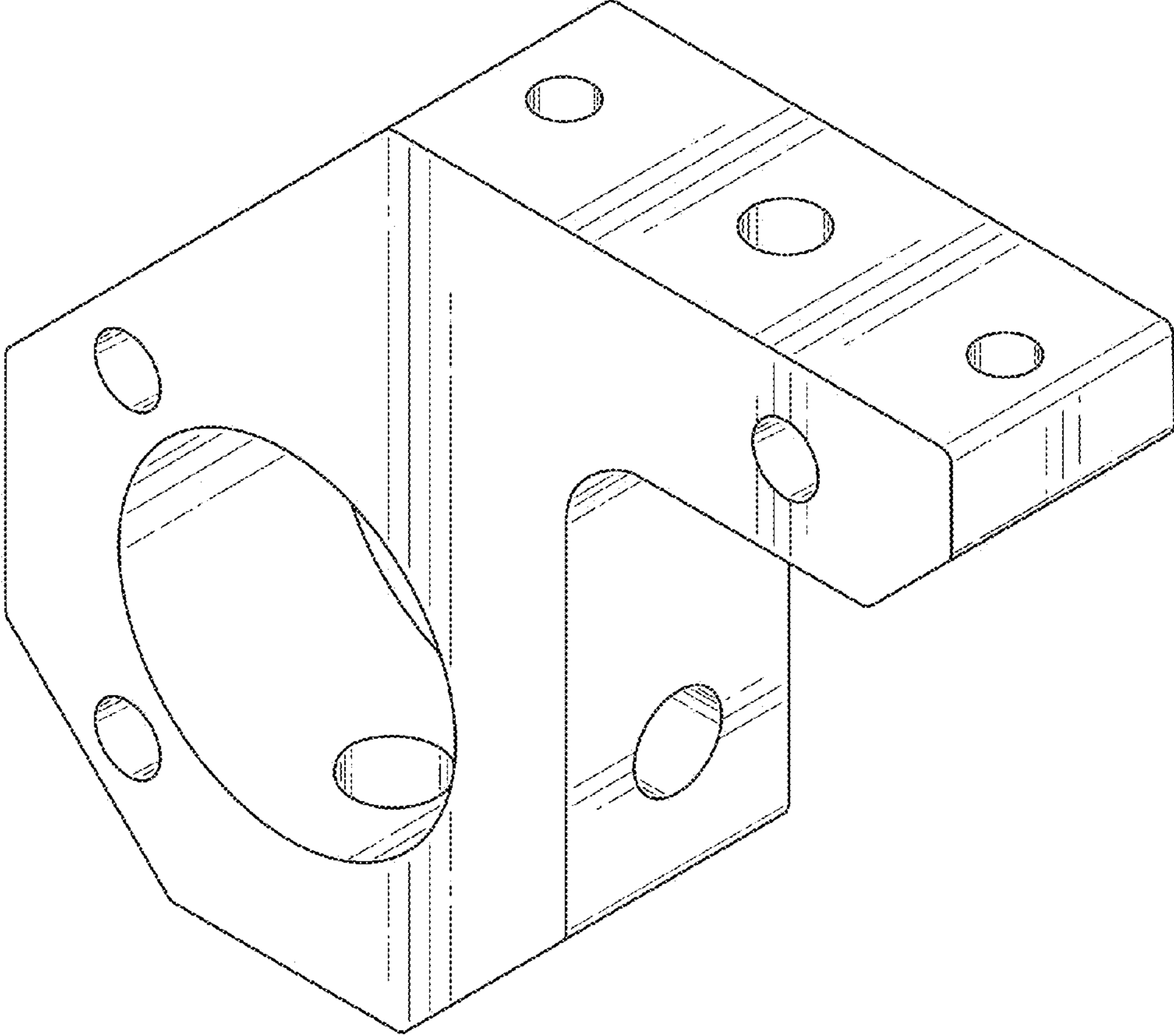


FIG. 1

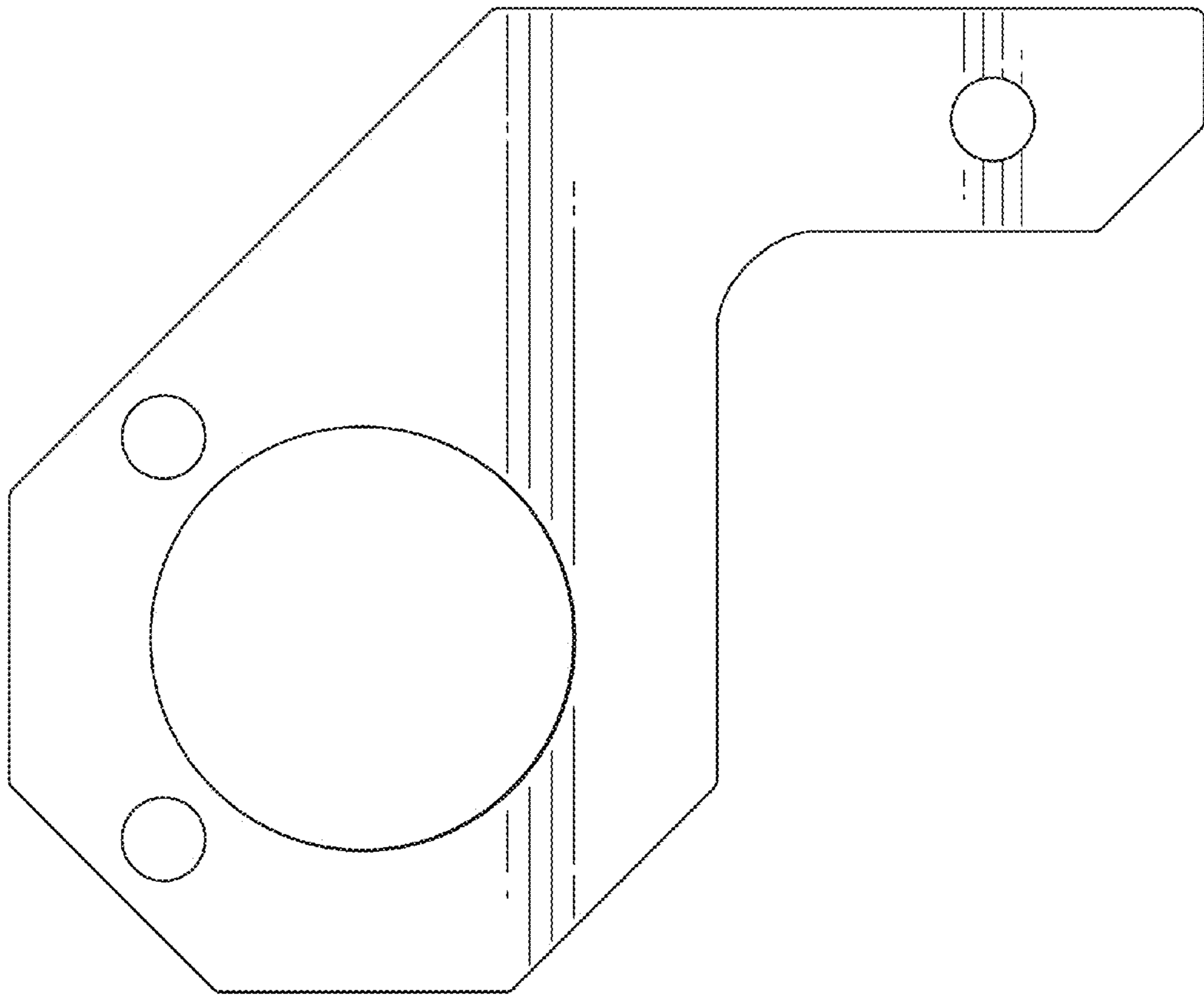


FIG. 2

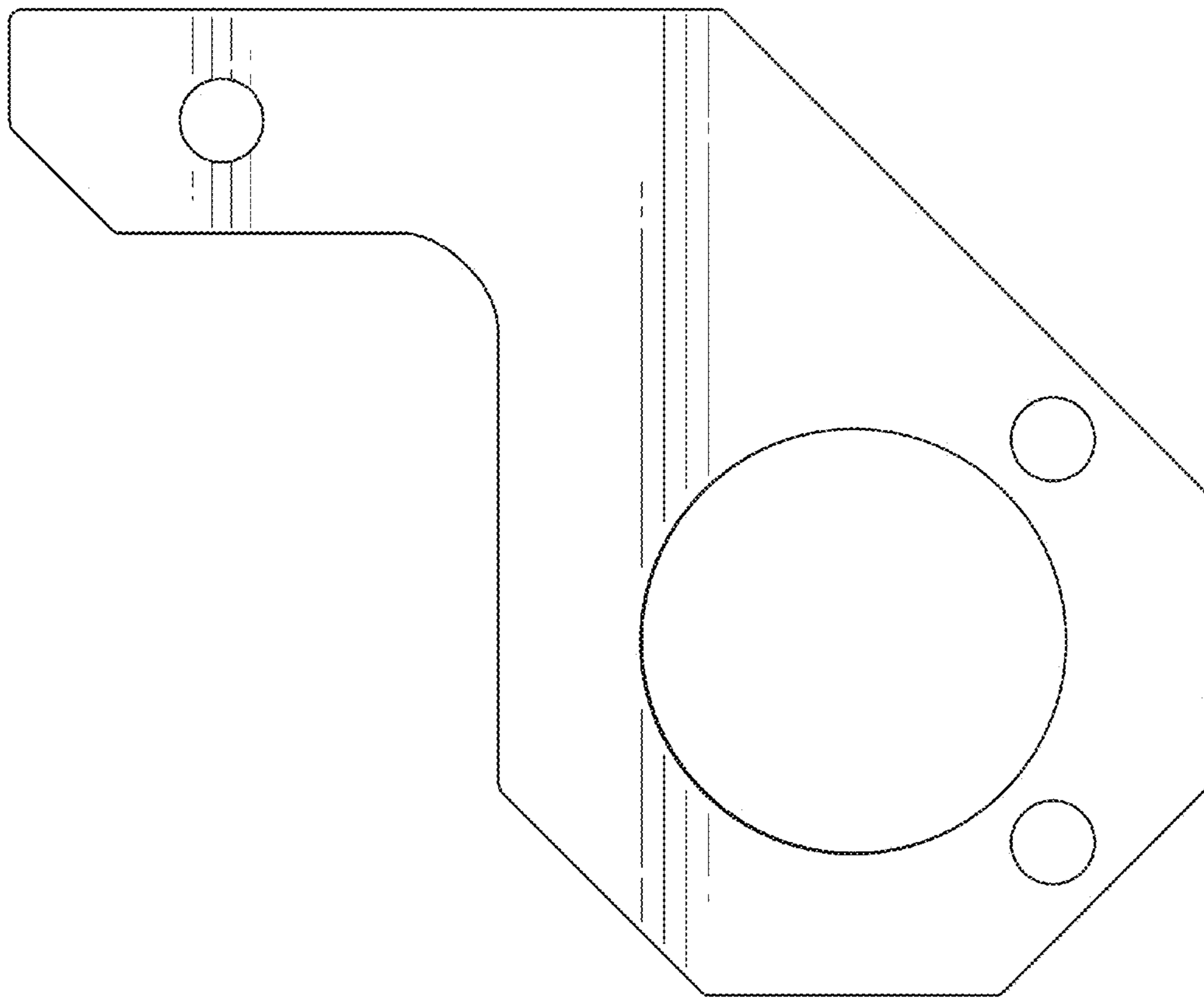


FIG. 3

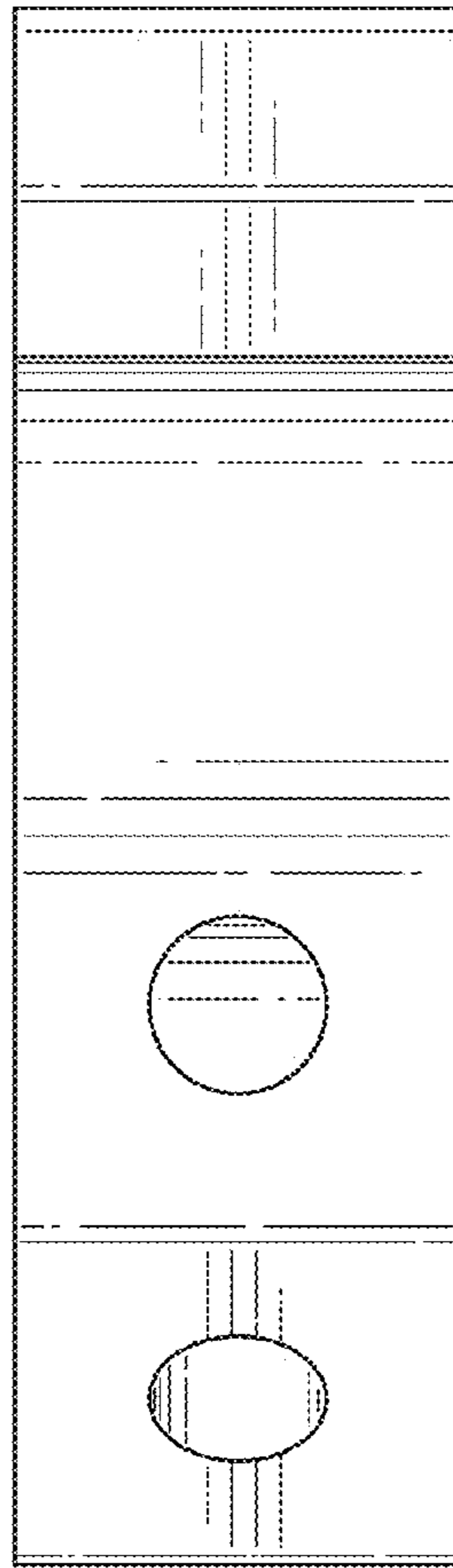


FIG. 4

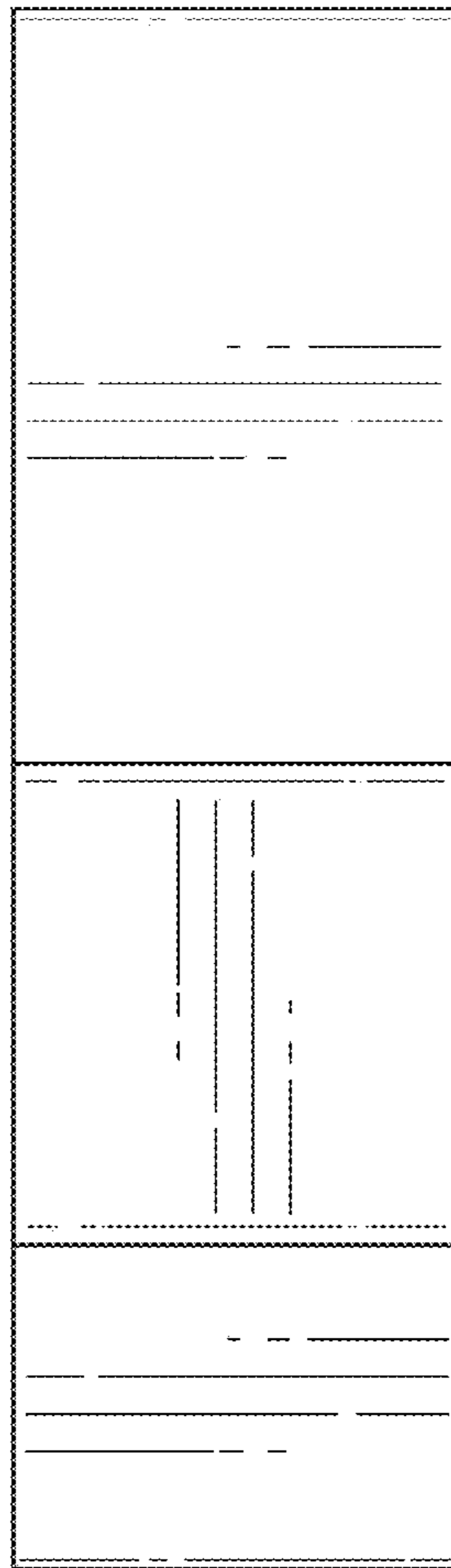


FIG. 5

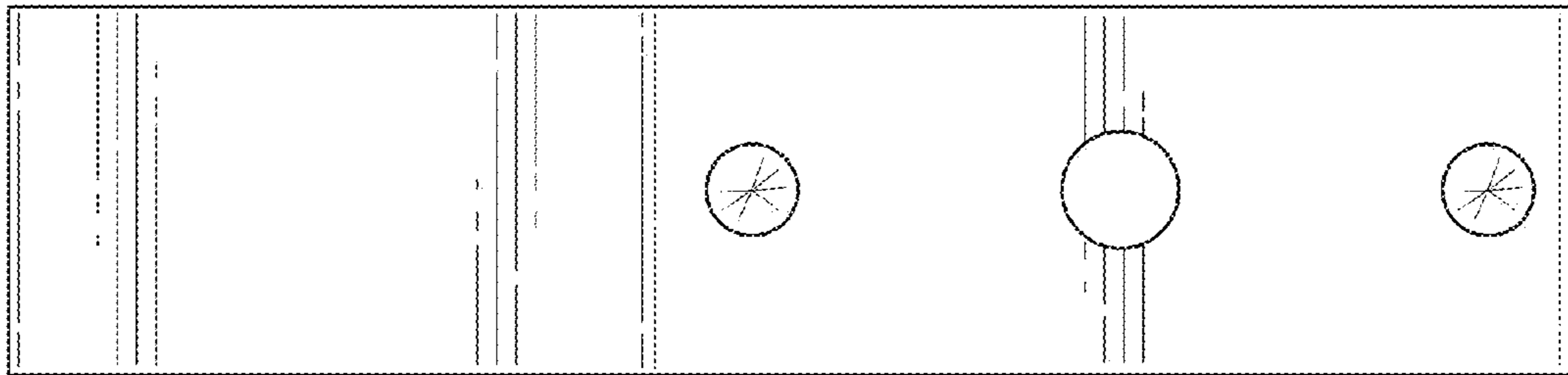


FIG. 6

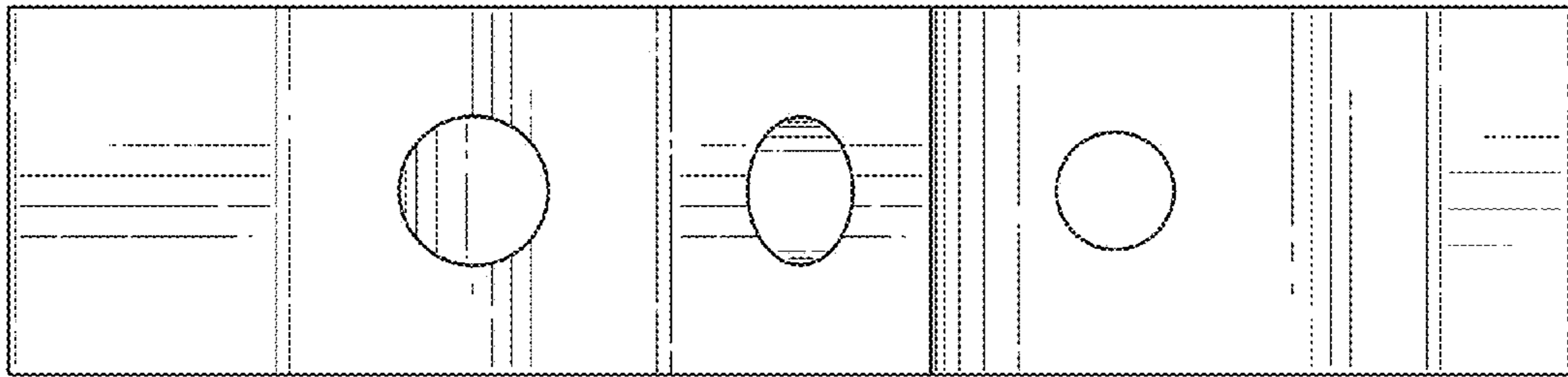


FIG. 7



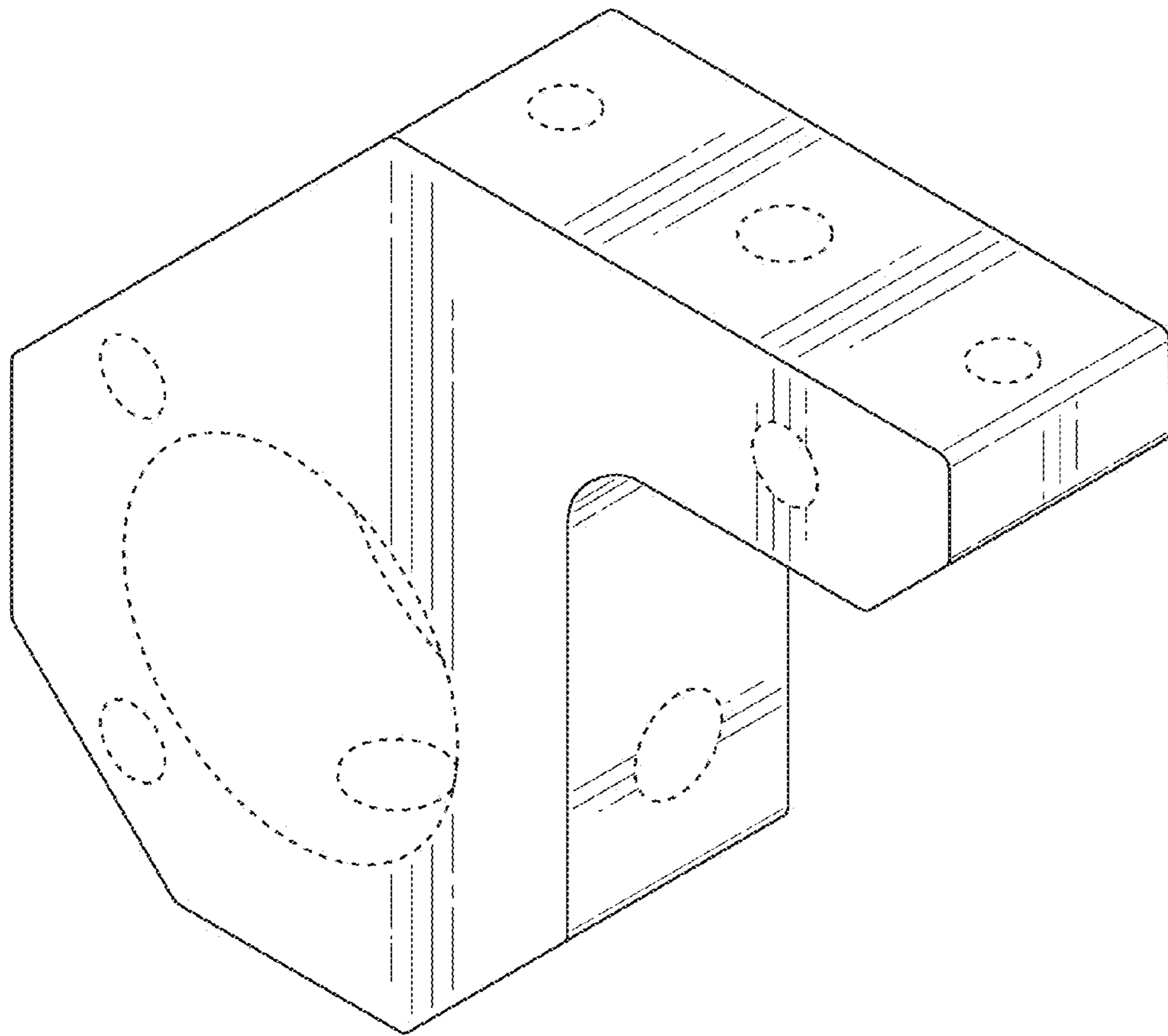


FIG. 8

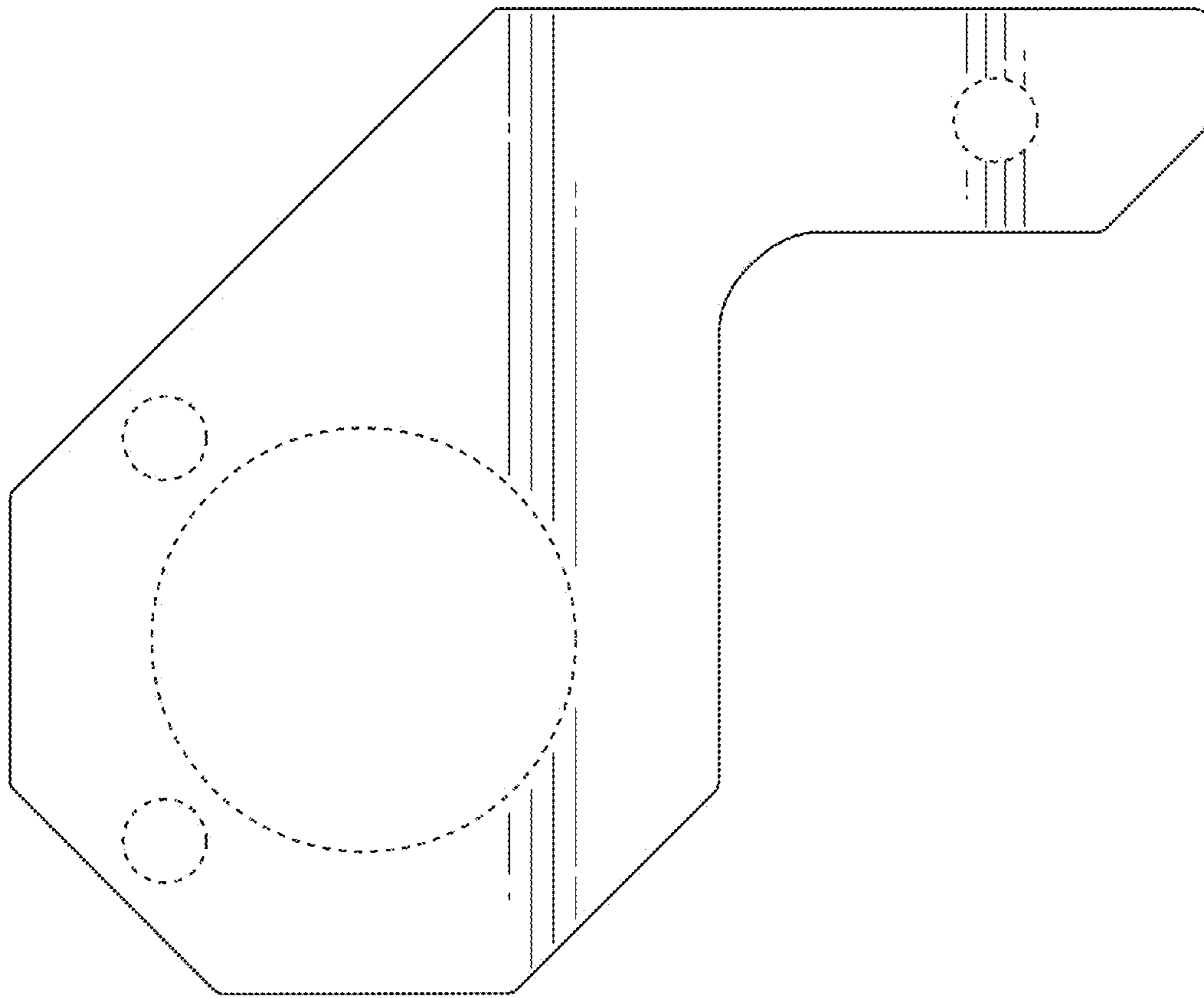


FIG. 9

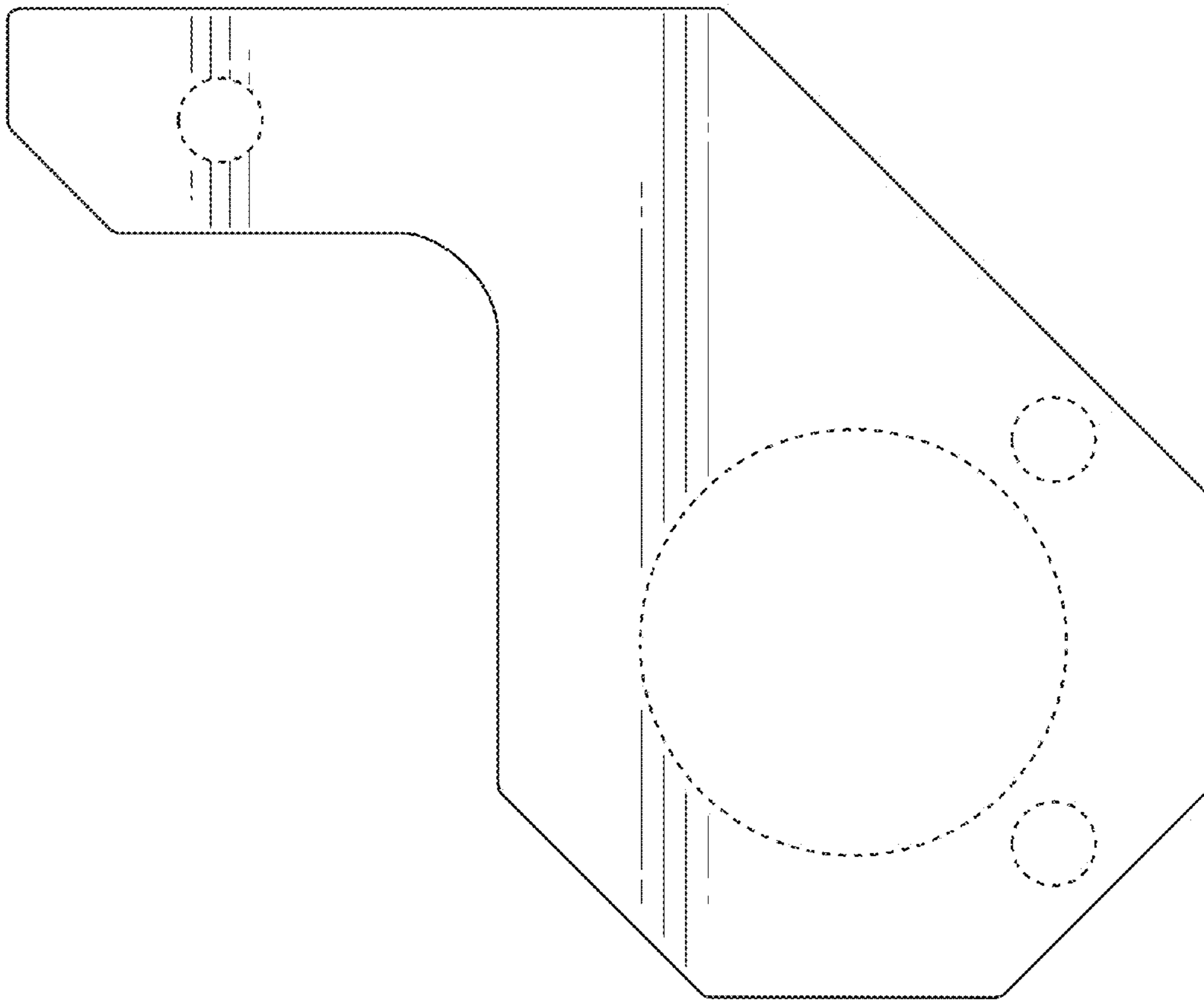


FIG. 10

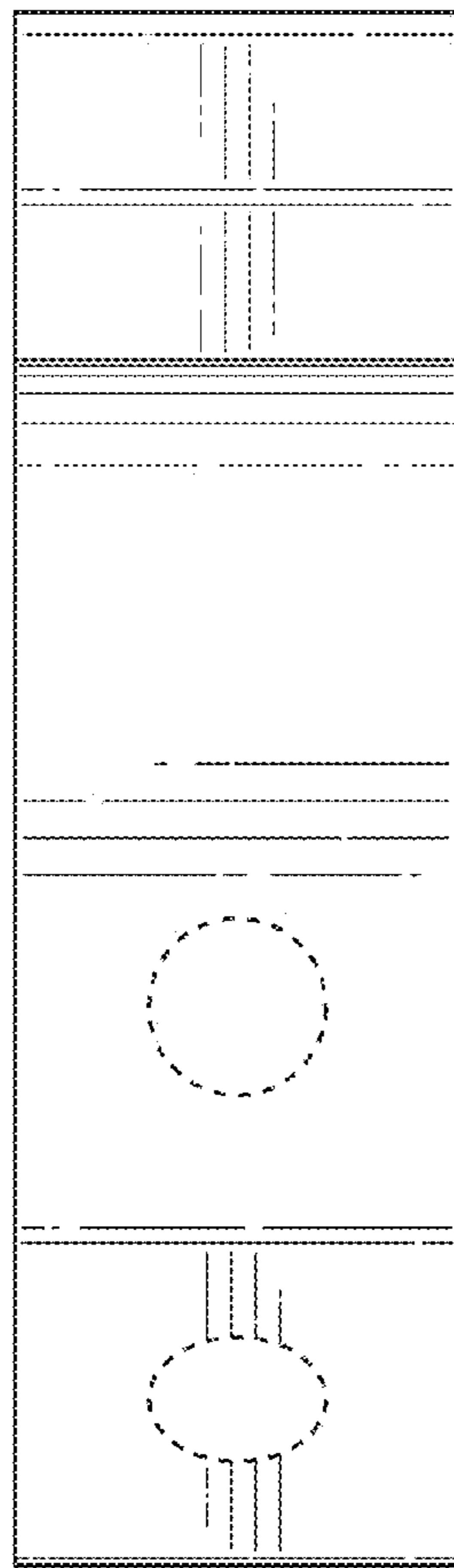


FIG. 11

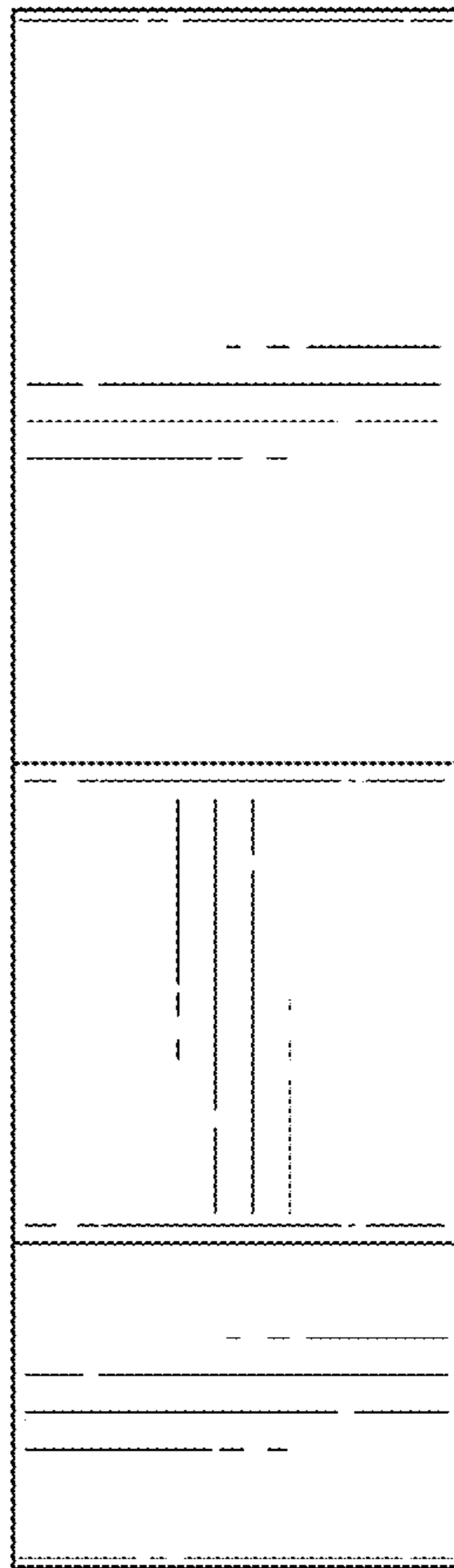


FIG. 12

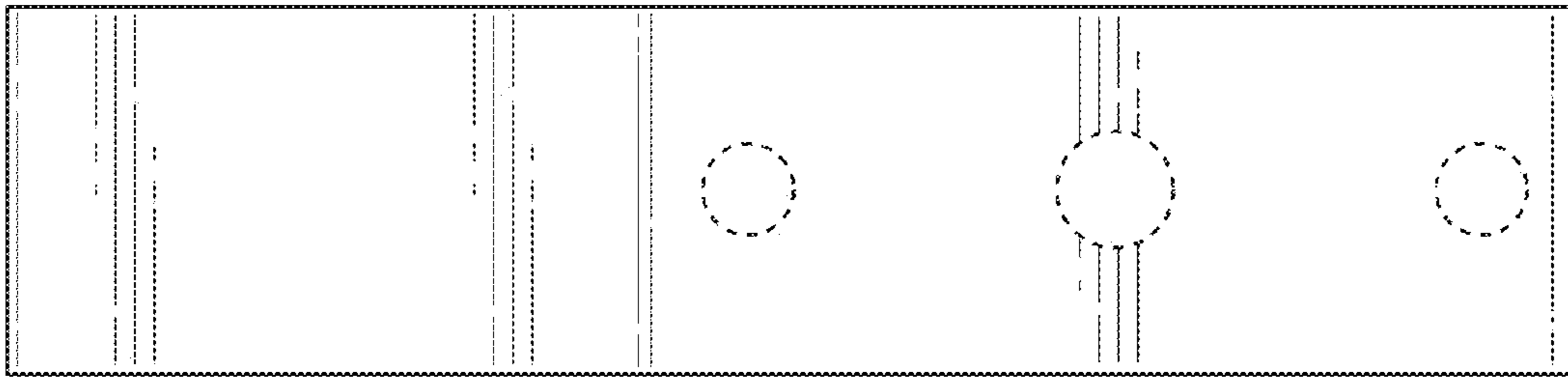


FIG. 13

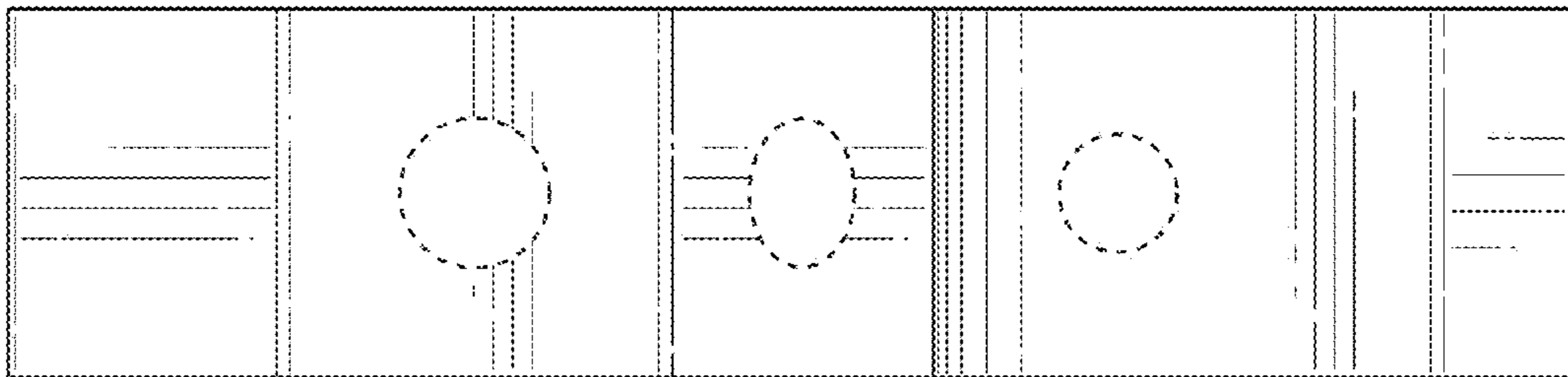


FIG. 14