



US00D761095S

(12) **United States Design Patent**
van der Hoeff et al.

(10) **Patent No.:** **US D761,095 S**
(45) **Date of Patent:** **** Jul. 12, 2016**

(54) **BOLT**
(71) Applicant: **Van der Hoeff Refractories B.V.**,
Limmen (NL)
(72) Inventors: **Jos van der Hoeff**, Limmen (NL); **John**
Koenders, Gouda (NL)
(73) Assignee: **VAN DER HOEFF REFRACTORIES**
B.V., Limmen (NL)
(**) Term: **14 Years**

5,882,053 A * 3/1999 Bekins E05B 1/003
292/336.3
5,964,558 A * 10/1999 Hartmann F16B 13/12
411/75
D451,789 S * 12/2001 Hsieh D13/179
D499,010 S * 11/2004 Velten D8/387
D604,234 S * 11/2009 Scott D12/604
D605,024 S * 12/2009 Cotton D8/302
D630,500 S * 1/2011 van Groesen D8/377
D631,736 S * 2/2011 You D8/387
D632,157 S * 2/2011 Le D8/306
D698,634 S * 2/2014 Oetlinger D8/387
2015/0117942 A1 * 4/2015 Carvalho F16D 1/033
403/337

(21) Appl. No.: **29/519,669**
(22) Filed: **Mar. 6, 2015**
(51) **LOC (10) Cl.** **08-08**
(52) **U.S. Cl.**
USPC **D8/382**
(58) **Field of Classification Search**
USPC D8/300, 305, 306, 307, 349, 382, 387,
D8/388, 391, 393, 397, 399; D23/262,
D23/265, 329, 386, 499; D12/106, 223;
D25/199
CPC F23M 5/04; F23M 5/08; F27D 1/12;
F27D 1/14; F27D 1/141; F27D 1/142; F27D
1/144; F27D 1/145; F27D 1/147; F27D 1/148;
F16B 5/0028; F16B 5/0032; F16B 5/0036;
F16B 5/0044; F16B 5/0052
See application file for complete search history.

FOREIGN PATENT DOCUMENTS

DE 102008033219 A1 1/2010
EP 1443269 A4 7/2006
EP 2149752 A1 12/2011
WO WO 2015187007 A1 * 12/2015 F23M 5/04

* cited by examiner

Primary Examiner — Sheryl Lane
Assistant Examiner — Ieisha Price
(74) *Attorney, Agent, or Firm* — Andrus Intellectual
Property Law, LLP

(57) **CLAIM**
The ornamental design for a bolt, as shown and described.

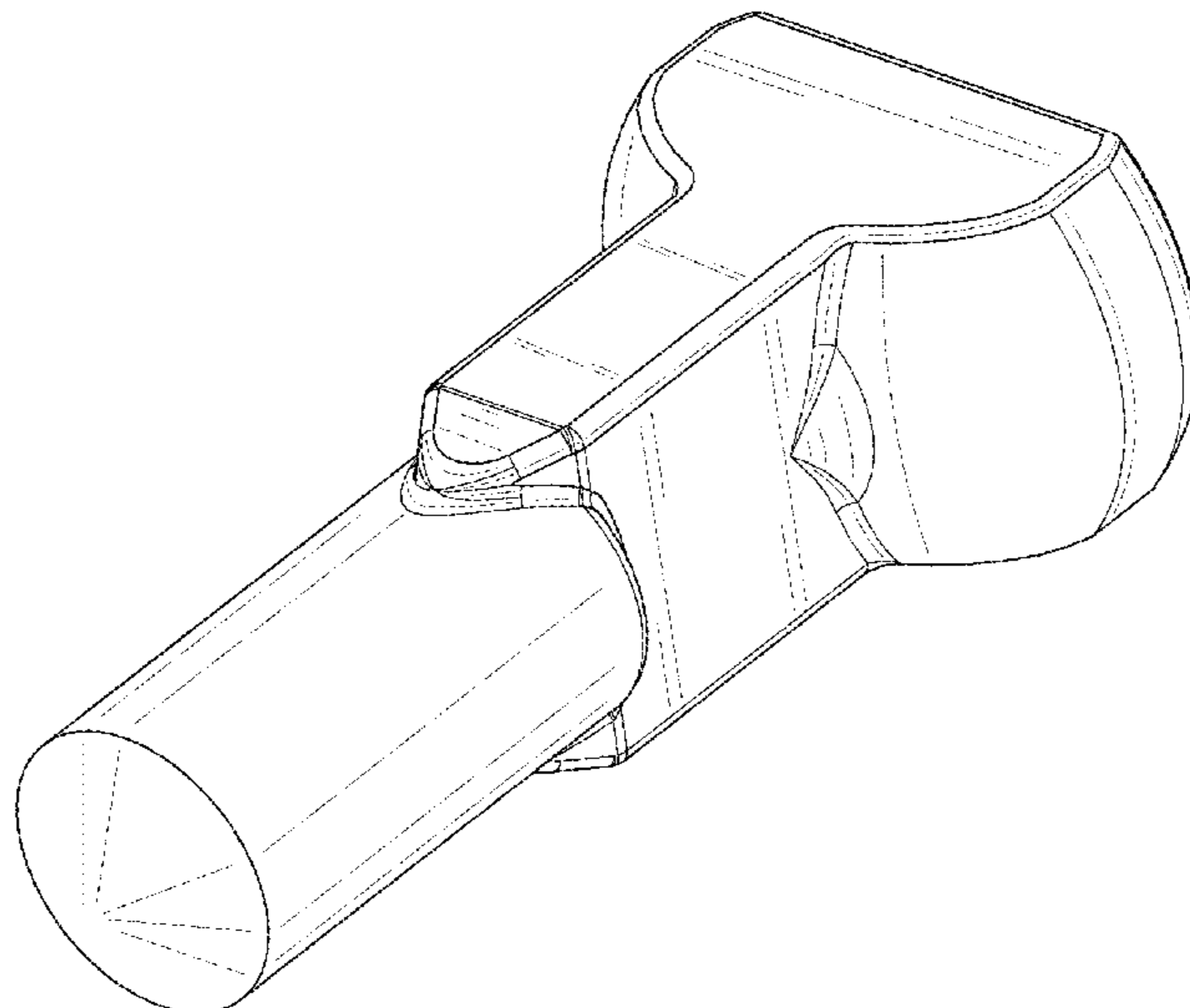
DESCRIPTION

FIG. 1 is a bottom perspective view of a bolt according to my
new and ornamental design;
FIG. 2 is a top perspective view thereof;
FIG. 3 is a front side view thereof, wherein a back side is a
mirror image;
FIG. 4 is a right side view thereof, wherein a left side is a
mirror image;
FIG. 5 is a bottom view thereof; and,
FIG. 6 is a top view thereof.

1 Claim, 5 Drawing Sheets

(56) **References Cited**
U.S. PATENT DOCUMENTS

D32,222 S * 2/1900 Klauss D23/386
D53,966 S * 10/1919 Holaday D8/387
D190,391 S * 5/1961 Cordova D8/341
D204,461 S * 4/1966 Volker D22/108
4,398,322 A * 8/1983 Ewen F16B 21/04
24/595.1
D354,432 S * 1/1995 Starman D8/382



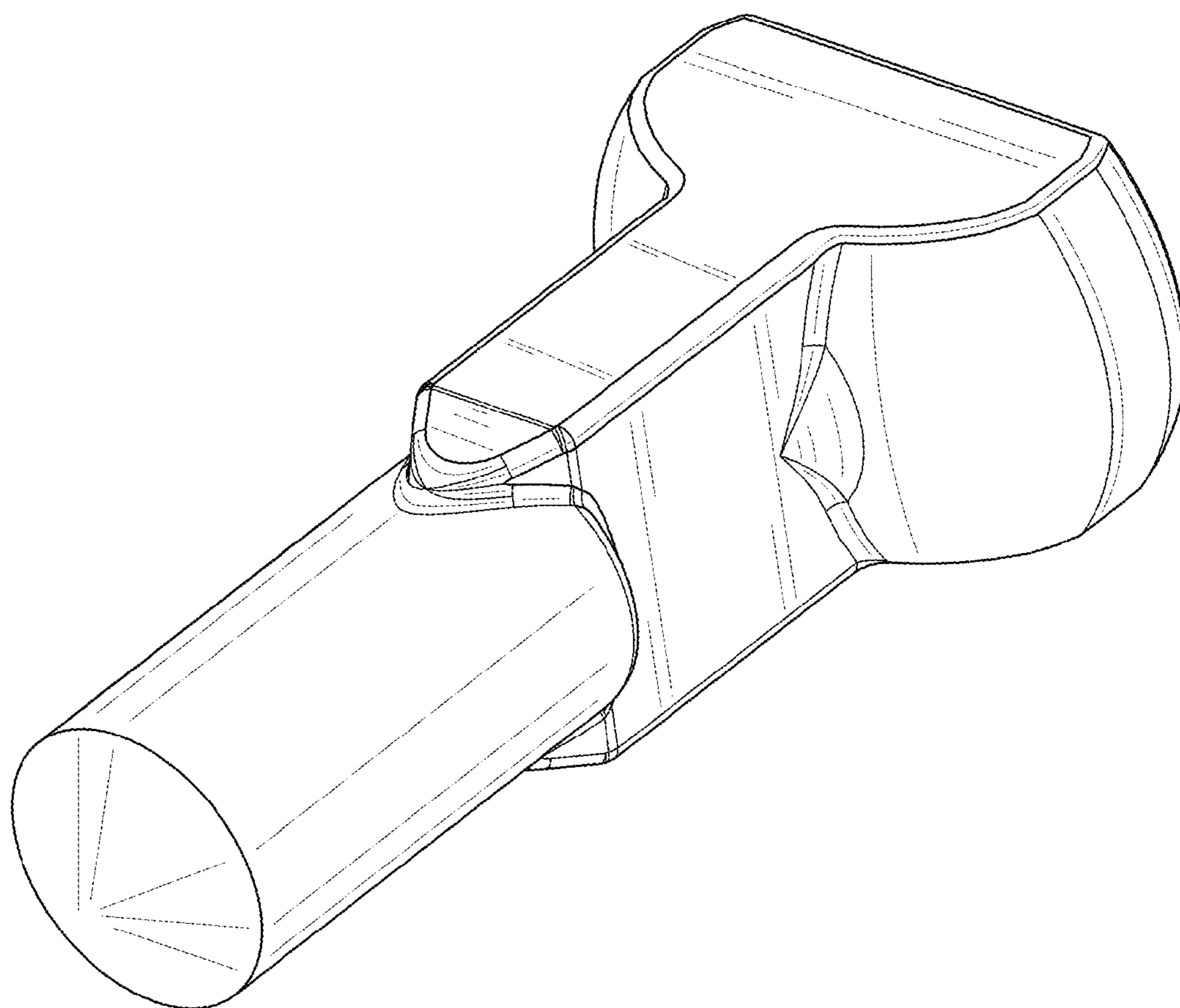


FIG. 1

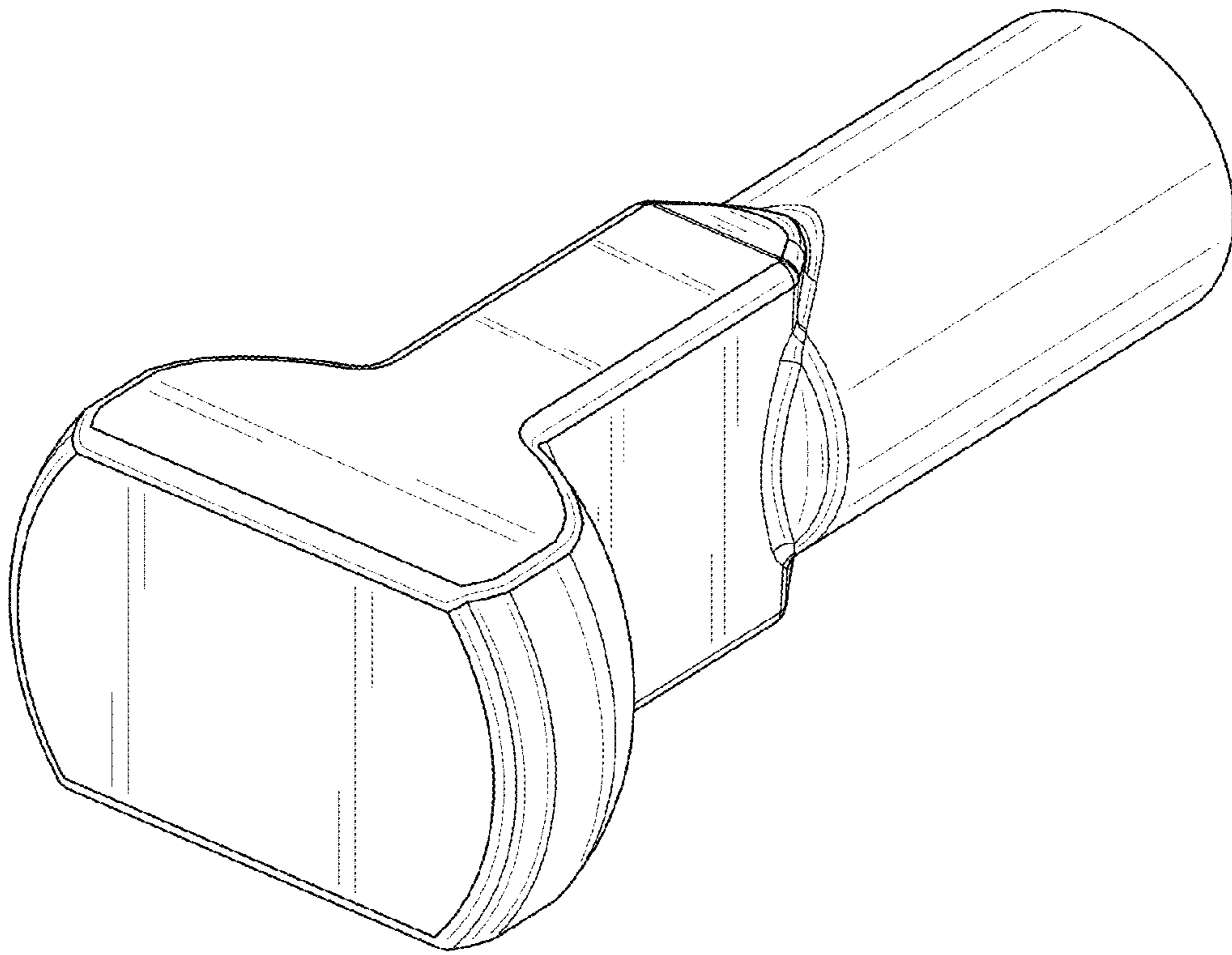


FIG. 2

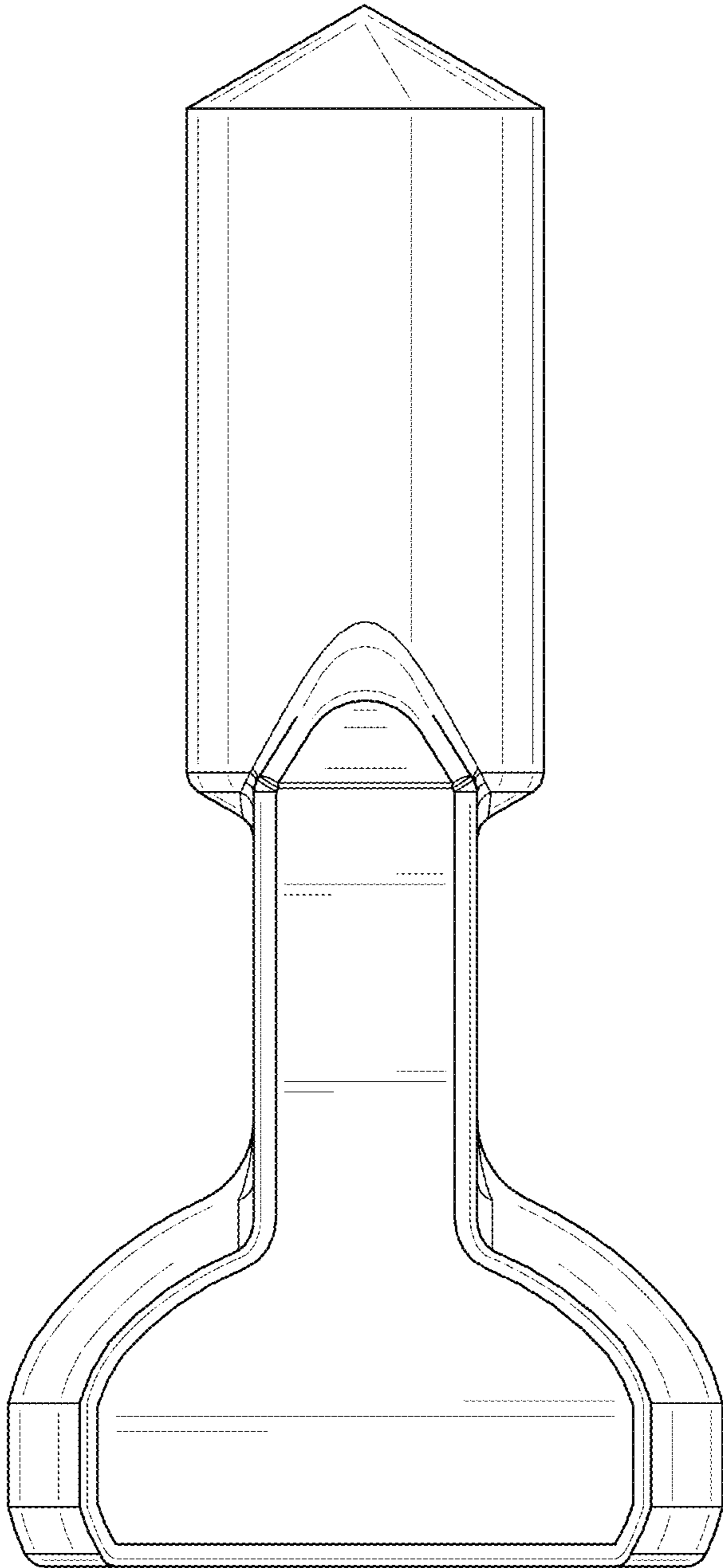


FIG. 3

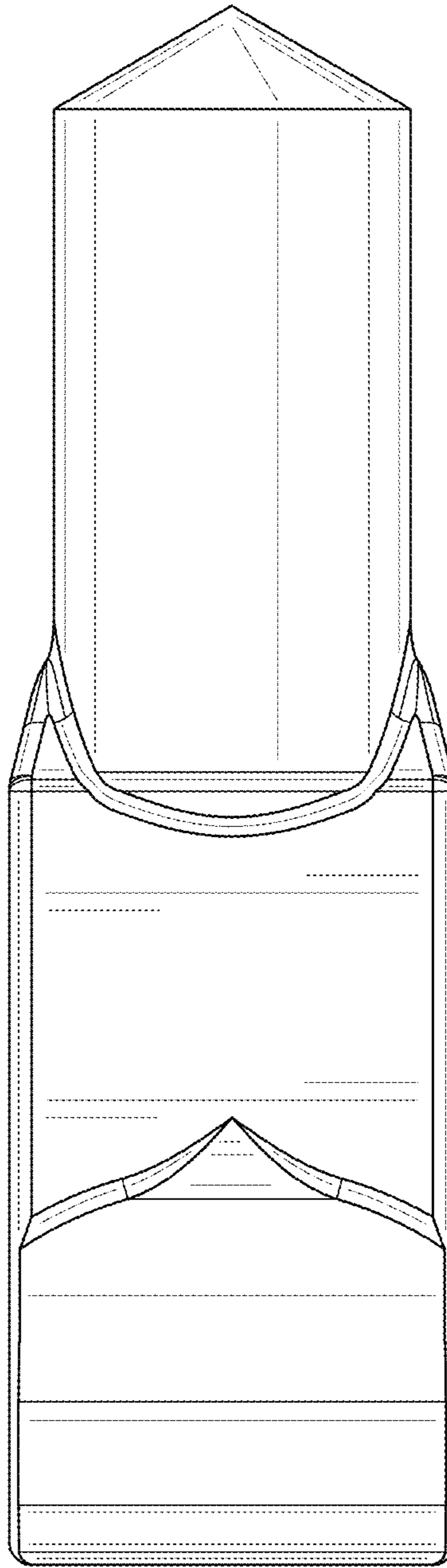


FIG. 4

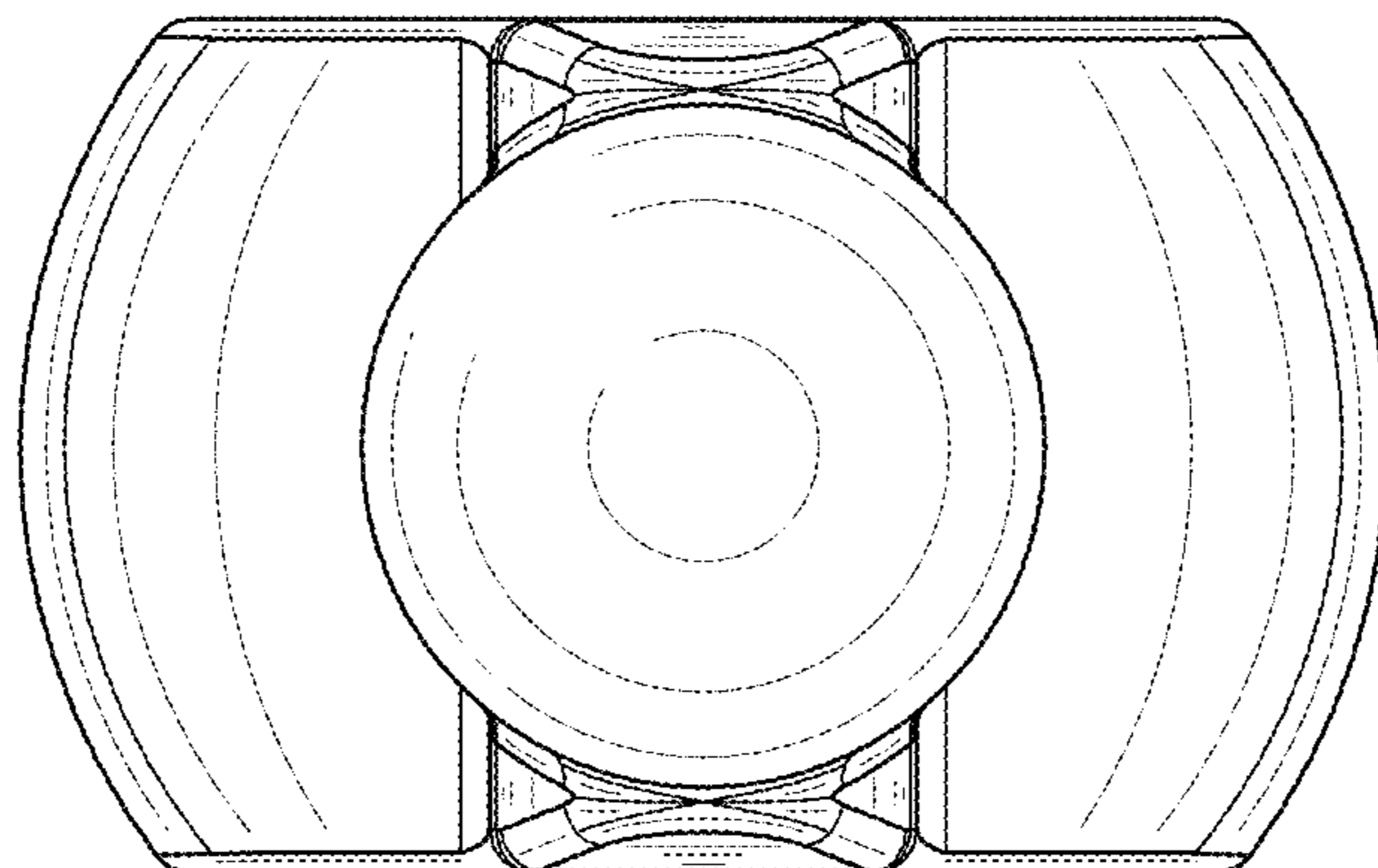


FIG. 5

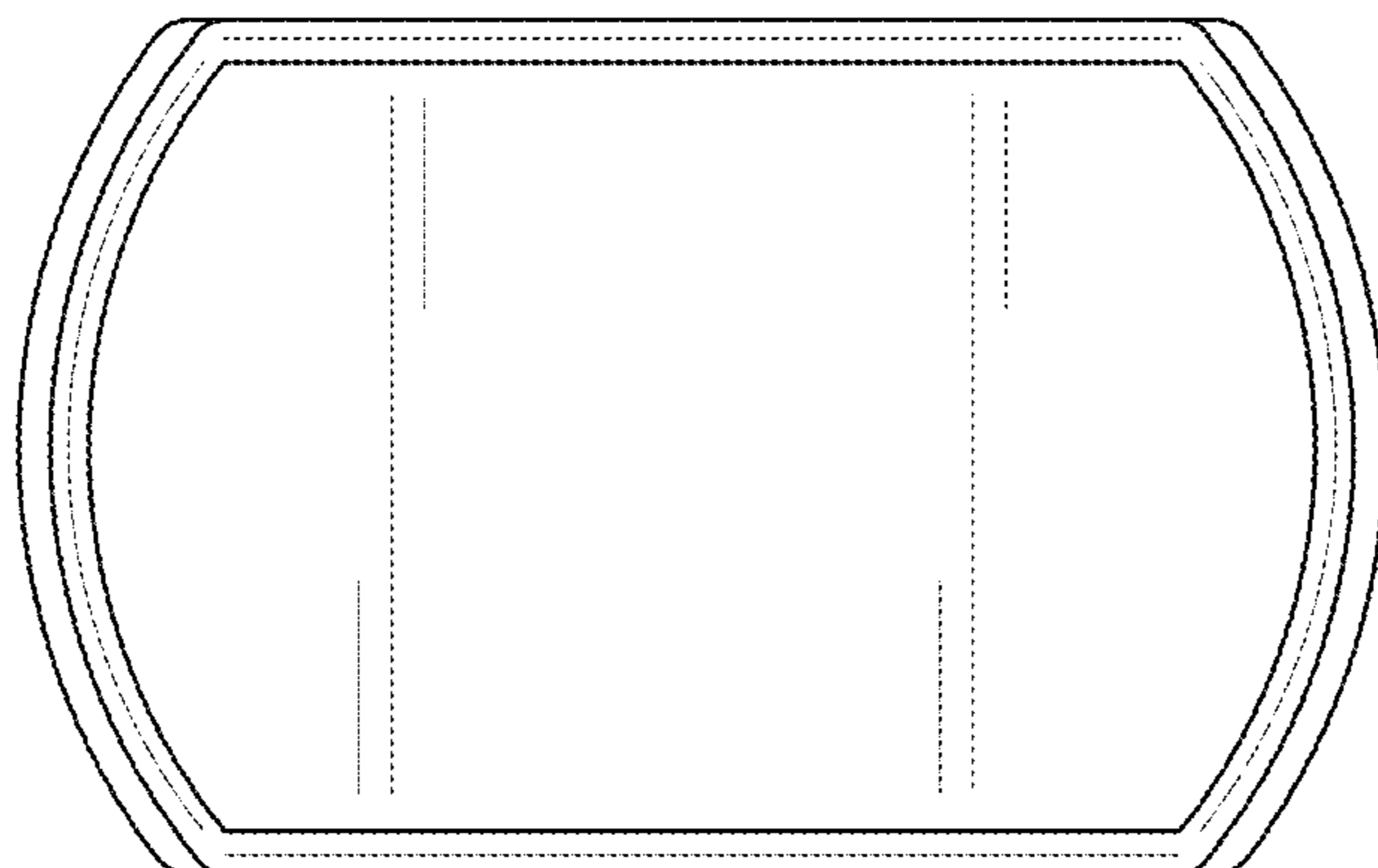


FIG. 6

UNITED STATES PATENT AND TRADEMARK OFFICE
CERTIFICATE OF CORRECTION

PATENT NO. : D761,095 S
APPLICATION NO. : 29/519669
DATED : July 12, 2016
INVENTOR(S) : van der Hoeff et al.

Page 1 of 1

It is certified that error appears in the above-identified patent and that said Letters Patent is hereby corrected as shown below:

[30] Foreign Application Priority Data:
Add -- 12/09/2014 (EU) 002536979-0001 --

Signed and Sealed this
Thirty-first Day of October, 2017



Joseph Matal
*Performing the Functions and Duties of the
Under Secretary of Commerce for Intellectual Property and
Director of the United States Patent and Trademark Office*