

US00D761093S

(12) **United States Design Patent**
Liu et al.

(10) **Patent No.:** **US D761,093 S**
(45) **Date of Patent:** **** Jul. 12, 2016**

(54) **ACCESSORY HOLDER**
(71) Applicant: **World Enterprise Group Inc.**, Miramar, FL (US)
(72) Inventors: **Anly Liu**, Doral, FL (US); **Hai Chen Liu**, Kaohsiung (TW)
(73) Assignee: **Axis Trade Unlimited Inc**, Doral, FL (US)

4,003,538 A * 1/1977 Frye A47G 1/17
24/265 H
D287,816 S * 1/1987 Chasen 248/205.3
D289,139 S * 4/1987 Chasen D6/323
D289,255 S * 4/1987 Chasen D6/323
D566,532 S * 4/2008 Wolff D8/367
7,407,142 B1 * 8/2008 Lopez A45D 44/16
248/205.2
D658,029 S * 4/2012 Fulkerson D8/301
D697,387 S * 1/2014 Starck D8/367
D715,624 S * 10/2014 Thompson D8/367
D734,133 S * 7/2015 Spindler D8/367

(**) Term: **14 Years**

* cited by examiner

(21) Appl. No.: **29/525,429**

Primary Examiner — Cynthia Underwood

(22) Filed: **Apr. 29, 2015**

(74) *Attorney, Agent, or Firm* — Clinton H. Wilkinson; Charles A. Wilkinson

(51) **LOC (10) Cl.** **08-05**

(52) **U.S. Cl.**
USPC **D8/367**

(57) **CLAIM**

The ornamental design for an accessory holder, as shown and described.

(58) **Field of Classification Search**
USPC D8/367, 354, 349, 389; 248/301, 302, 248/303, 304, 339; 24/132 R; D6/325
CPC A47G 1/00; F16B 2/00; A63B 27/00
See application file for complete search history.

DESCRIPTION

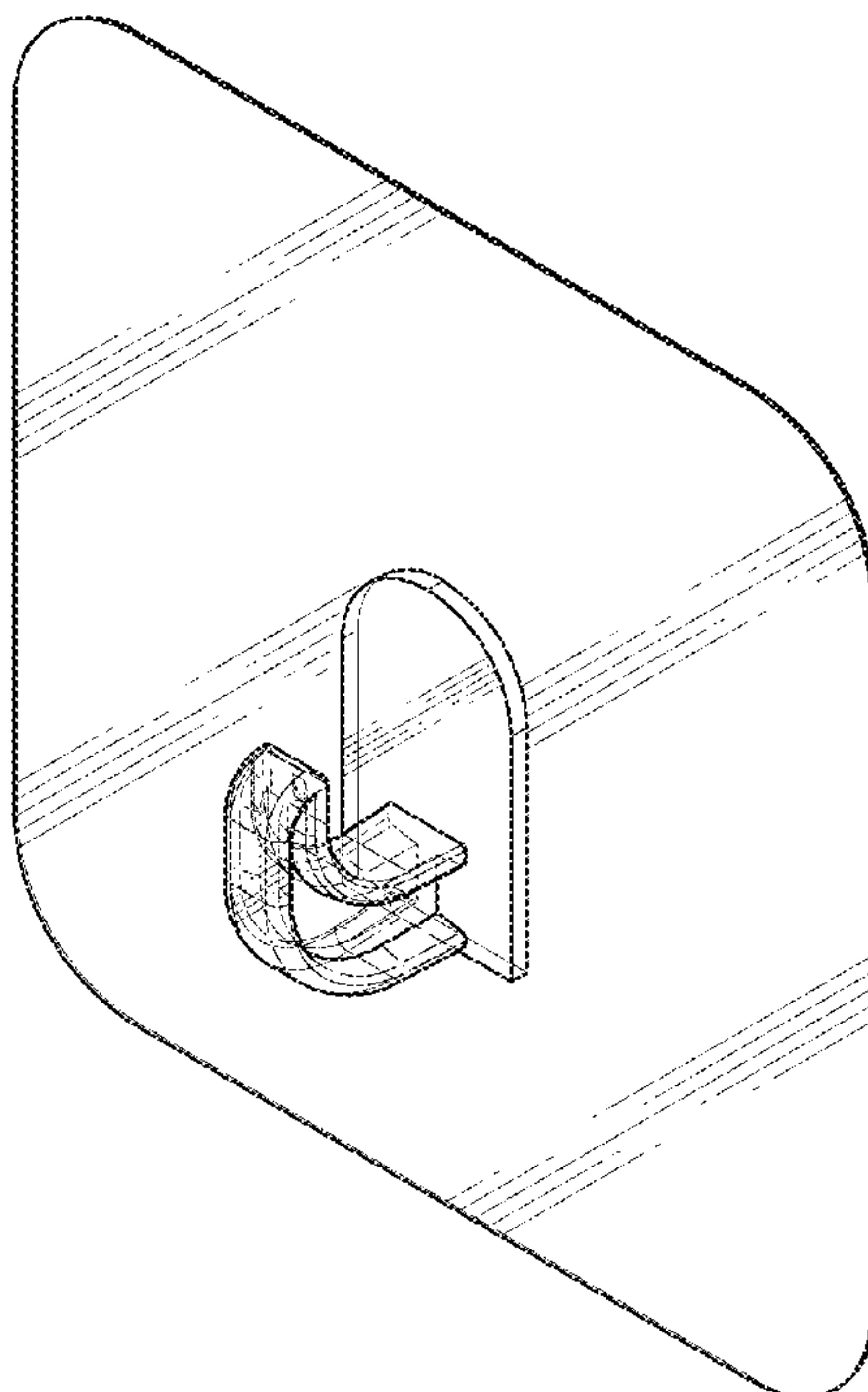
FIG. 1 is an isometric view of an accessory holder showing our new design;
FIG. 2 is a front elevational view thereof;
FIG. 3 is a right side elevational view thereof, in which the left side elevational view would be a mirror image;
FIG. 4 is a top elevational view thereof;
FIG. 5 is a bottom elevational view thereof; and,
FIG. 6 is a rear elevational view thereof.

(56) **References Cited**

U.S. PATENT DOCUMENTS

2,765,998 A * 10/1956 Engert A47G 1/17
248/205.3
3,637,181 A * 1/1972 Janssen A47G 1/17
156/320

1 Claim, 3 Drawing Sheets



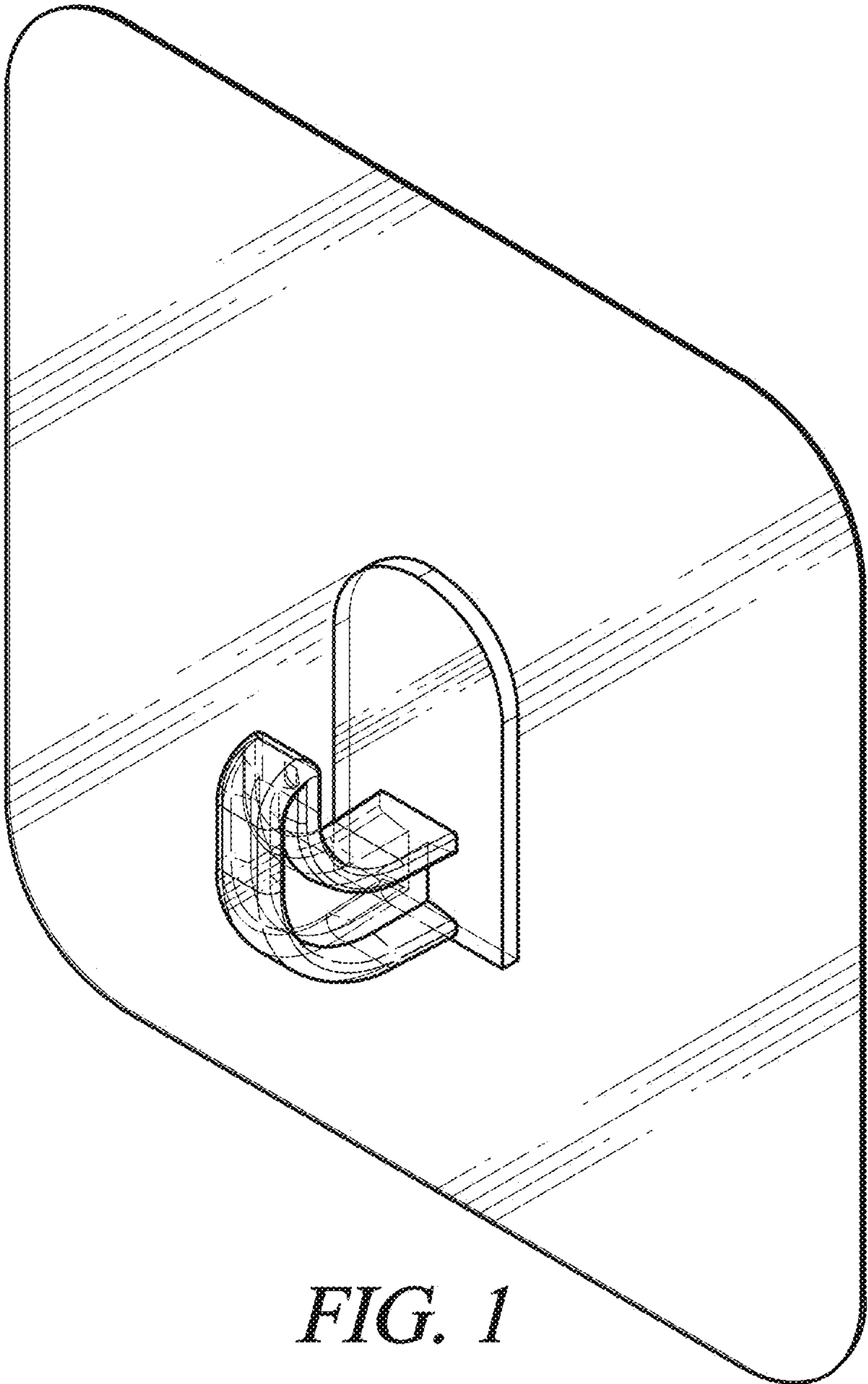


FIG. 1

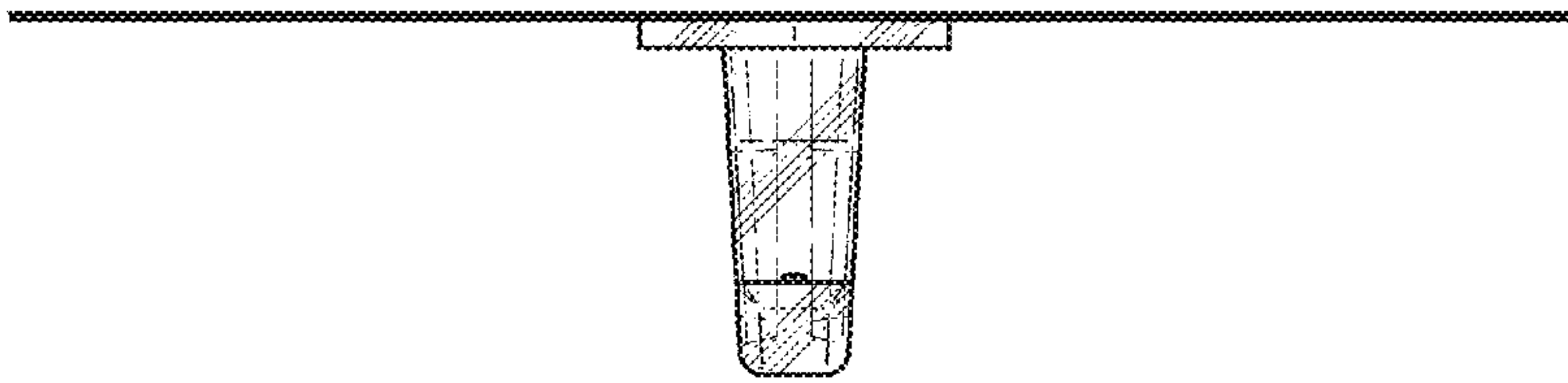


FIG. 4

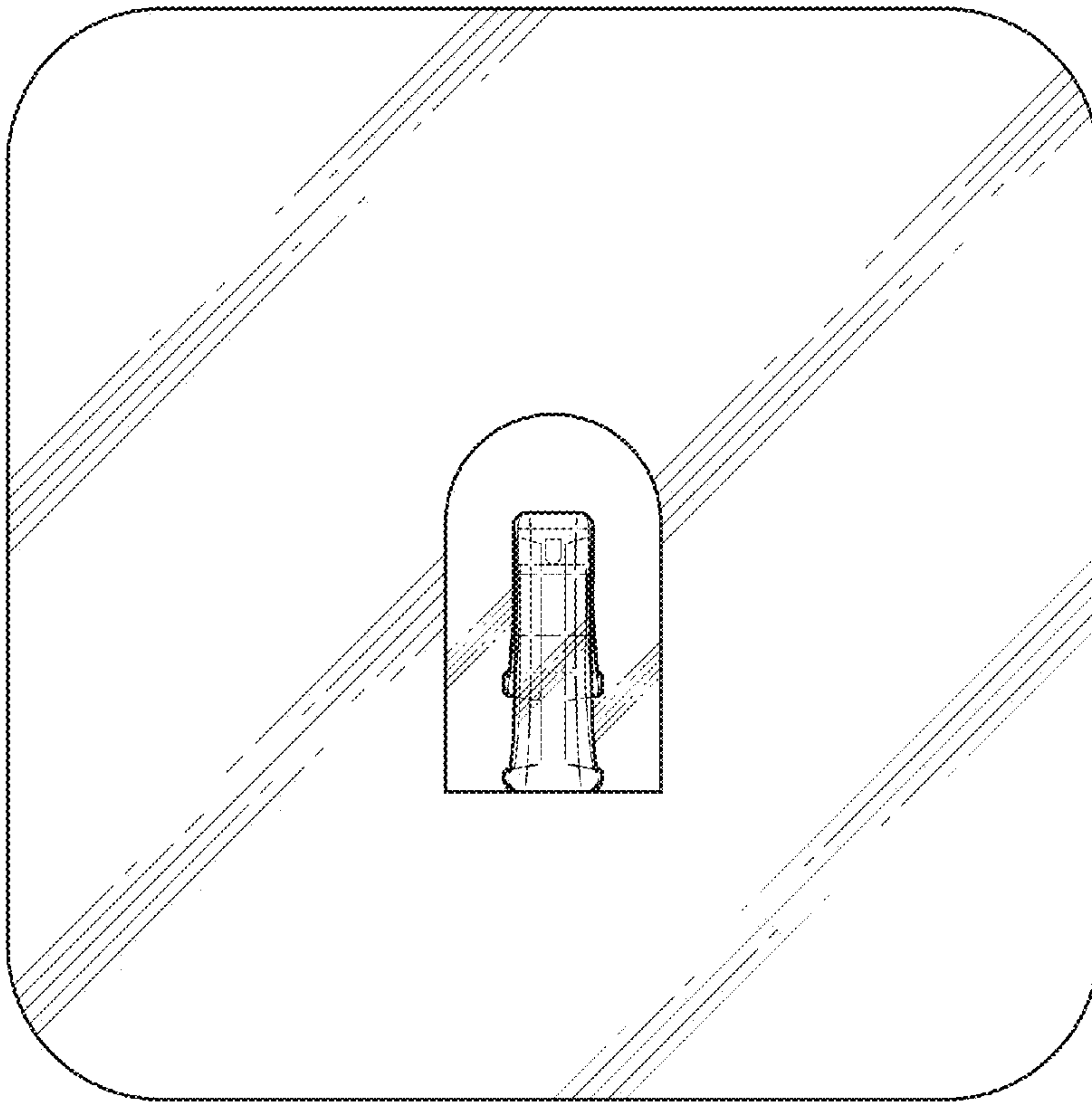


FIG. 2

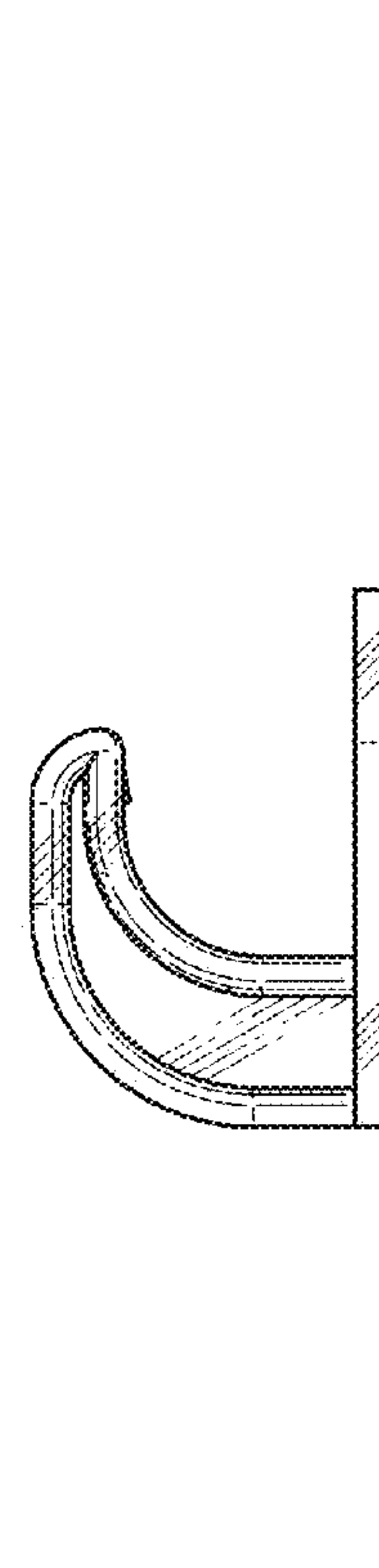


FIG. 3

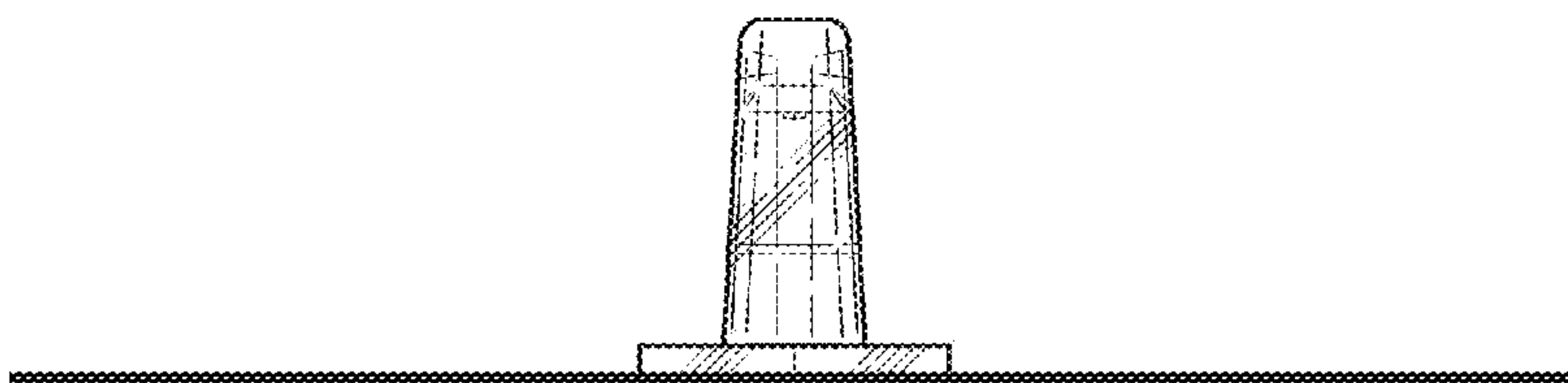


FIG. 5

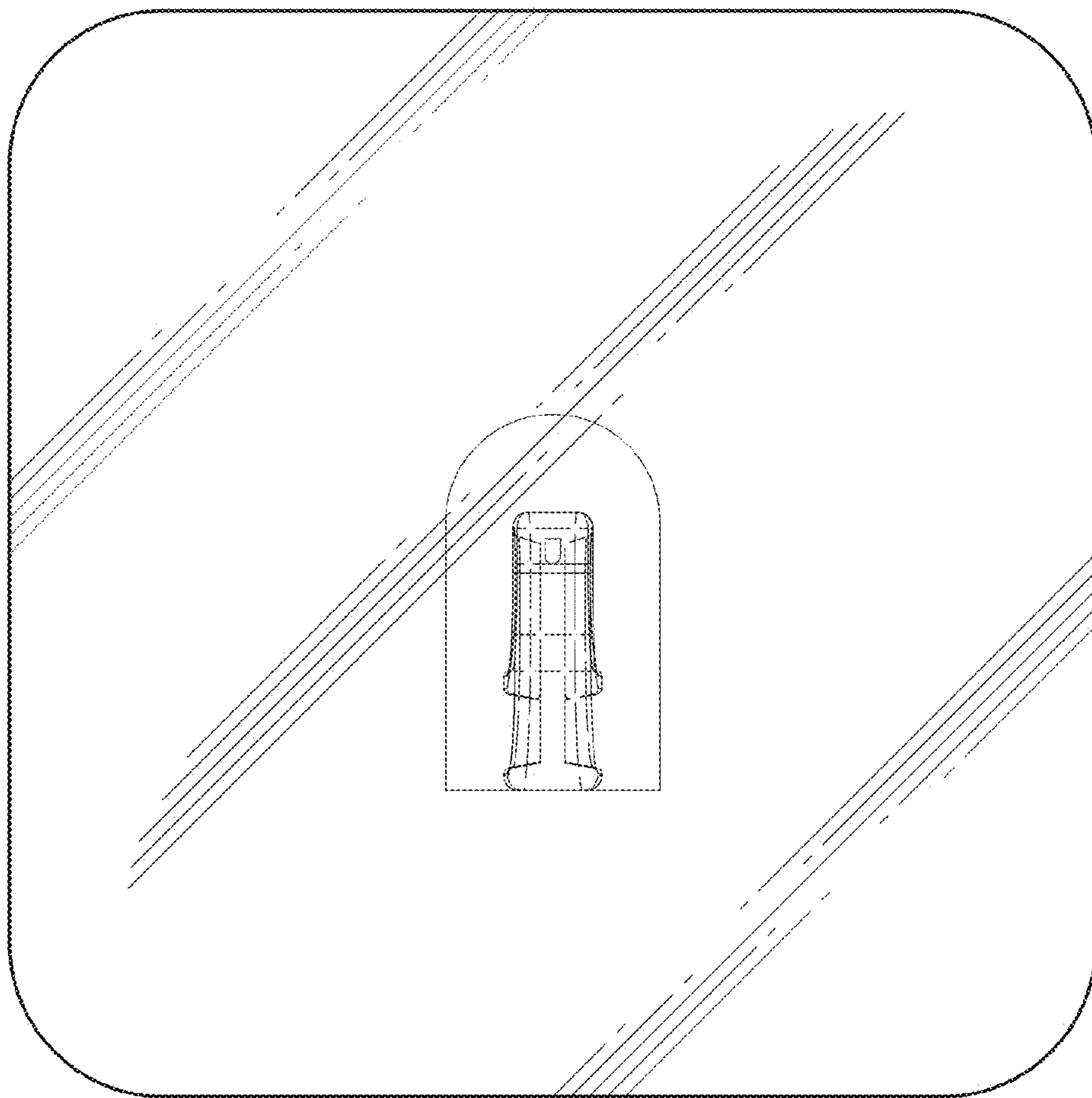


FIG. 6