

US00D761092S

(12) **United States Design Patent**  
**Fields**

(10) **Patent No.:** **US D761,092 S**  
(45) **Date of Patent:** **\*\* Jul. 12, 2016**

(54) **RING HOOK**

(71) Applicant: **Vanessa Nicole Fields**, Raymore, MO  
(US)

(72) Inventor: **Vanessa Nicole Fields**, Raymore, MO  
(US)

(73) Assignee: **Vanessa Nicole (Fields) Coussens**, Lees  
Summit, MO (US)

(\*\*) Term: **14 Years**

(21) Appl. No.: **29/445,687**

(22) Filed: **Feb. 14, 2013**

(51) **LOC (10) Cl.** ..... **08-05**

(52) **U.S. Cl.**  
USPC ..... **D8/367**

(58) **Field of Classification Search**  
USPC ..... D8/367, 354, 349, 366; D26/12, 113;  
362/121, 122, 457, 458, 806, 807  
CPC ..... A01C 1/00  
See application file for complete search history.

(56) **References Cited**

**U.S. PATENT DOCUMENTS**

D13,968	S	*	6/1883	Griswold	.....	D26/113
2,888,816	A	*	6/1959	Kanost	.....	431/126
3,390,889	A	*	7/1968	Grover	.....	277/440
D265,790	S	*	8/1982	Taylor	.....	D7/388
4,533,149	A	*	8/1985	Vater et al.	.....	277/499
D399,386	S	*	10/1998	Goodman	.....	D7/388
D401,006	S	*	11/1998	Edwards	.....	D26/147

D426,425	S	*	6/2000	Hermanski	.....	D7/400
D432,260	S	*	10/2000	Clinton	.....	D26/113
D464,867	S	*	10/2002	Samelson	.....	D8/367
D523,907	S	*	6/2006	Law	.....	D21/302
7,212,647	B2	*	5/2007	Kaneda et	.....	381/396
D551,018	S	*	9/2007	Goodman	.....	D7/388
D656,000	S	*	3/2012	Halleck	.....	D8/356
D668,941	S	*	10/2012	Taurins	.....	D8/370
D669,345	S	*	10/2012	Taurins	.....	D8/370
D677,559	S	*	3/2013	Taurins	.....	D8/367
D681,259	S	*	4/2013	Kong	.....	D26/113
D690,192	S	*	9/2013	Takakuwa et al.	.....	D8/396
D699,147	S	*	2/2014	Fissell	.....	D11/95
9,028,113	B1	*	5/2015	Giliberti	.....	362/318

\* cited by examiner

*Primary Examiner* — Cynthia Underwood

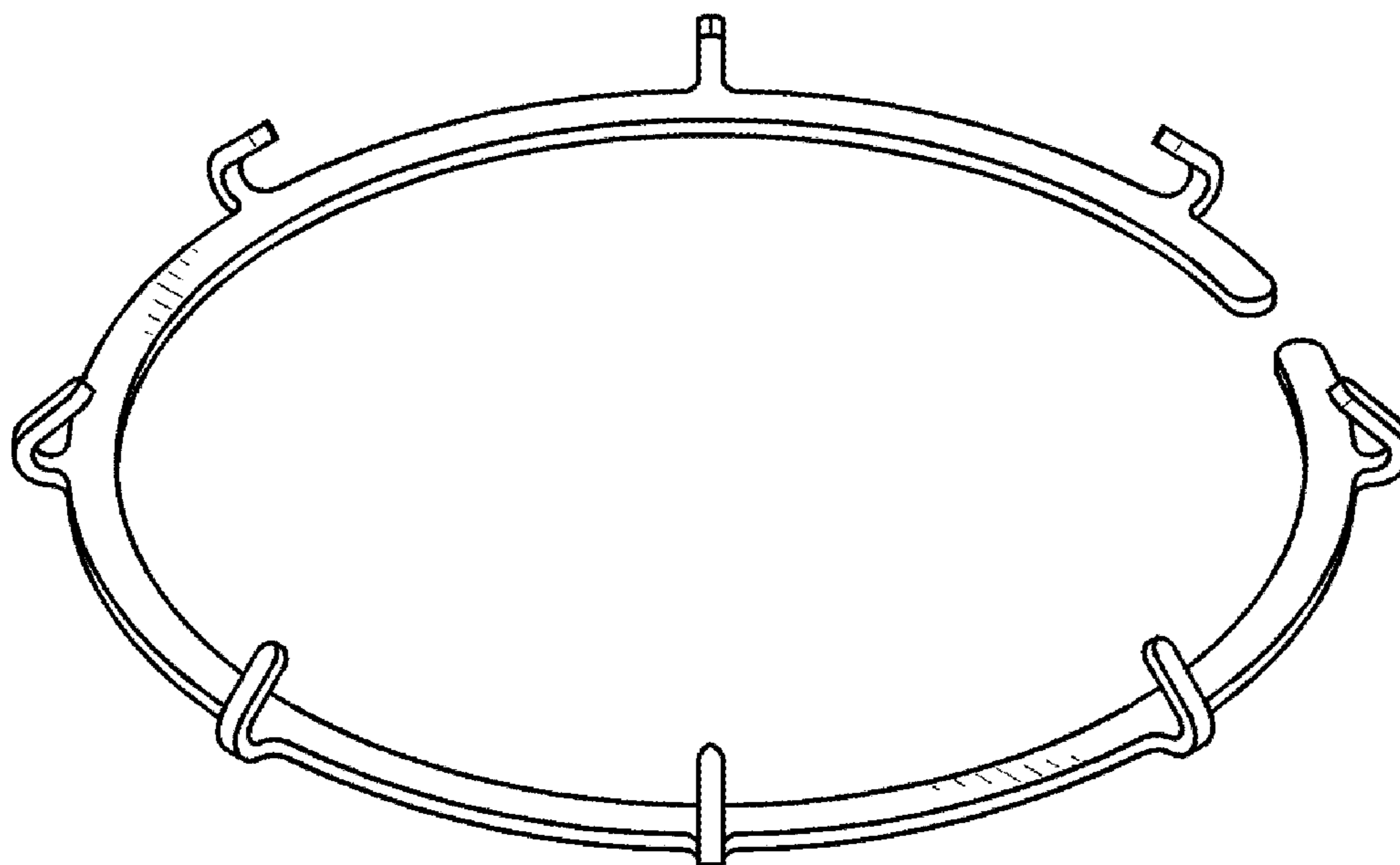
(57) **CLAIM**

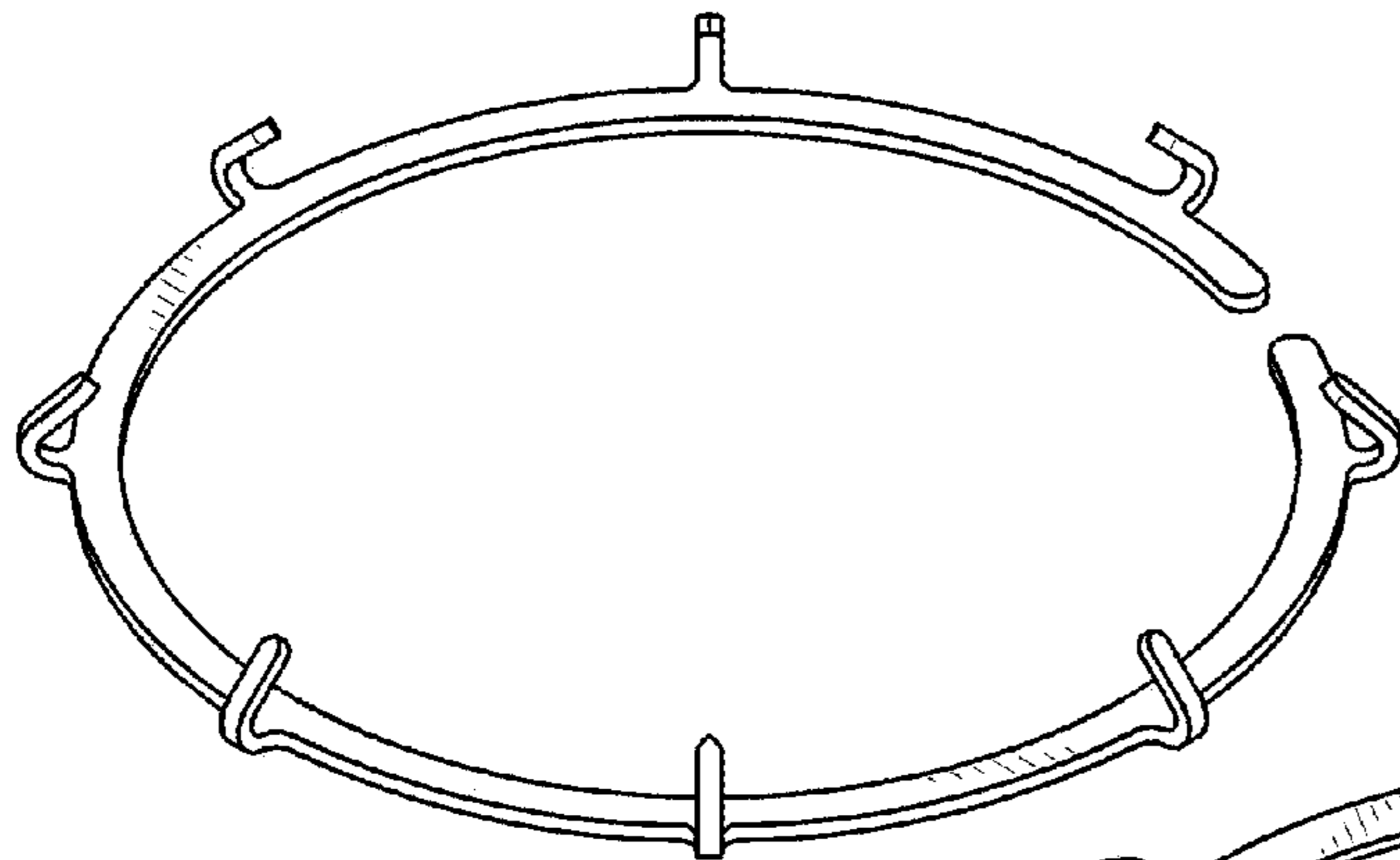
The ornamental design for a ring hook, as shown and described.

**DESCRIPTION**

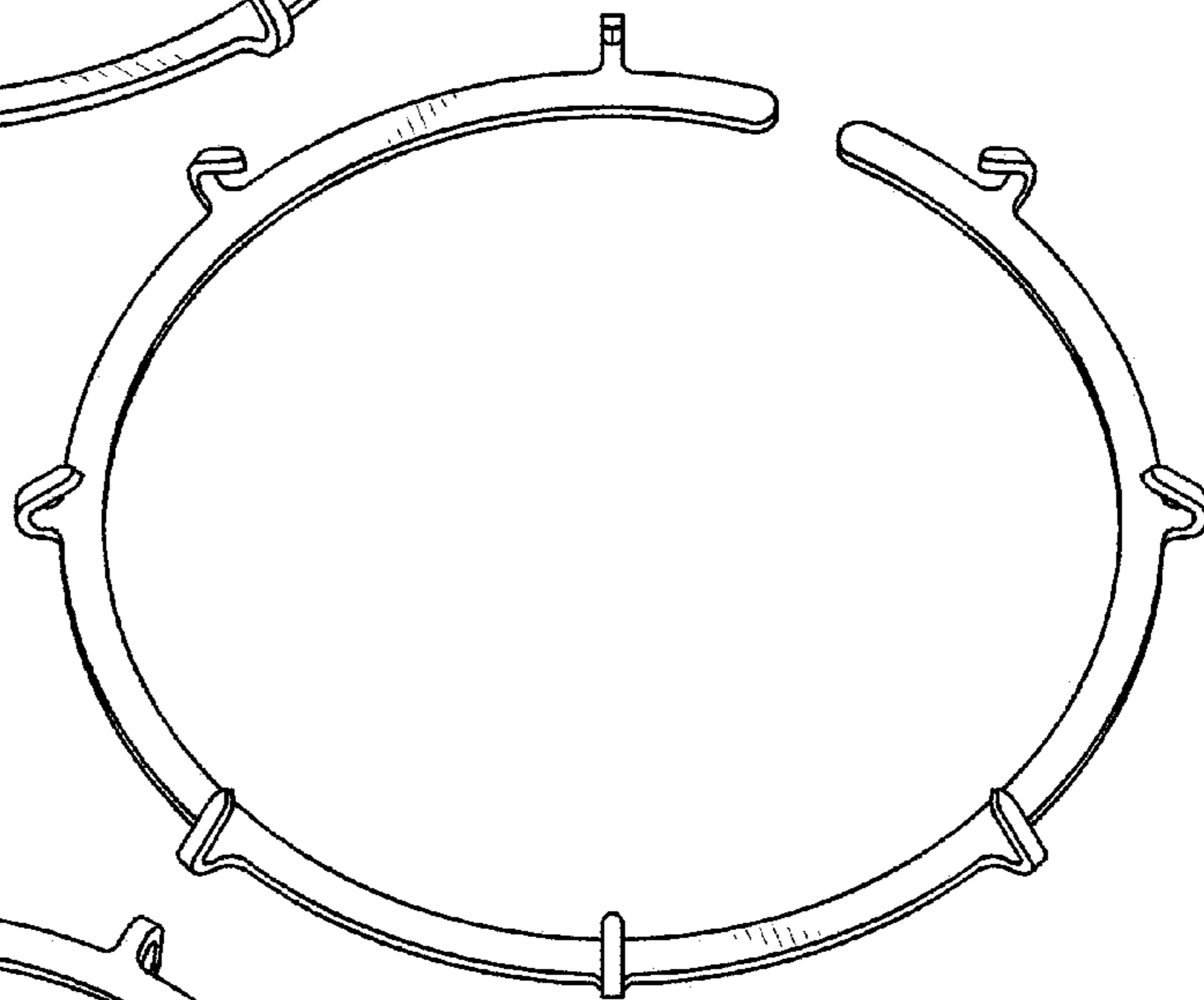
FIG. 1 is a perspective view of a ring hook.  
FIG. 2 is a top view of a ring hook.  
FIG. 3 is a bottom view of a ring hook.  
FIG. 4 is a top side perspective view of a ring hook.  
FIG. 5 is a bottom side perspective view of a ring hook.  
FIG. 6 is a left perspective view of a ring hook; and,  
FIG. 7 is a right perspective view of a ring hook.  
The broken line showing the new design in drawing FIG. 8 is for illustrative purposes only and forms no part of the claimed design.

**1 Claim, 2 Drawing Sheets**

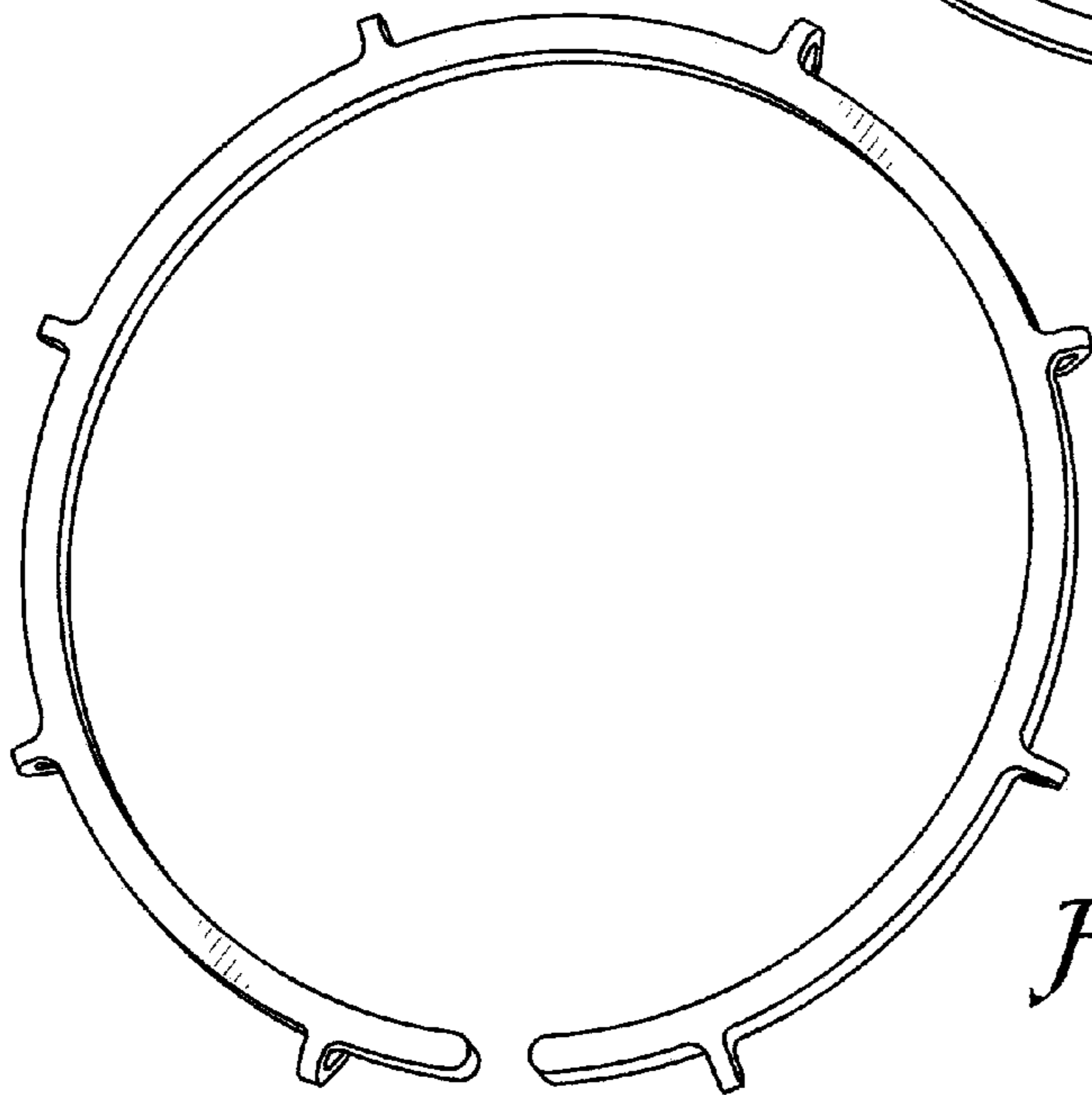




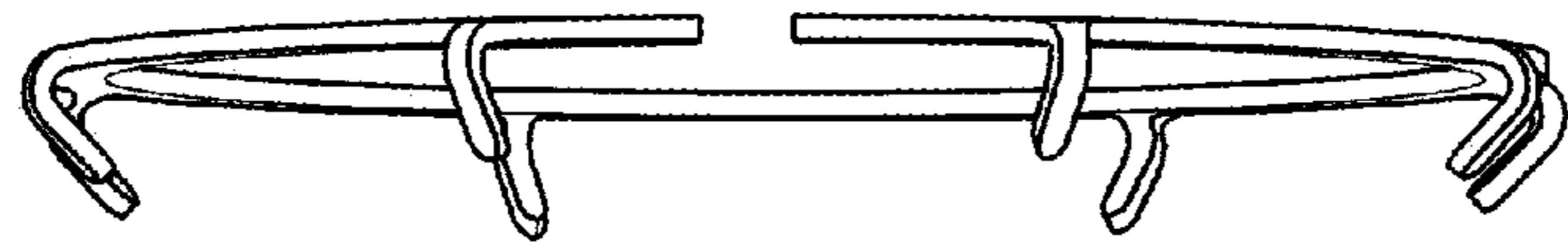
*FIG. 1*



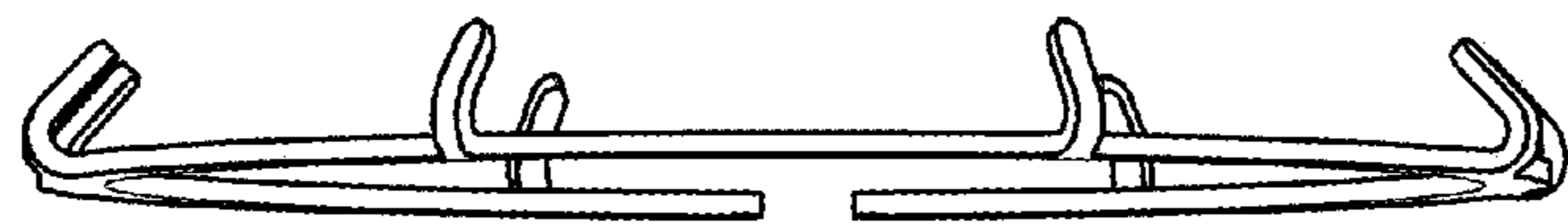
*FIG. 2*



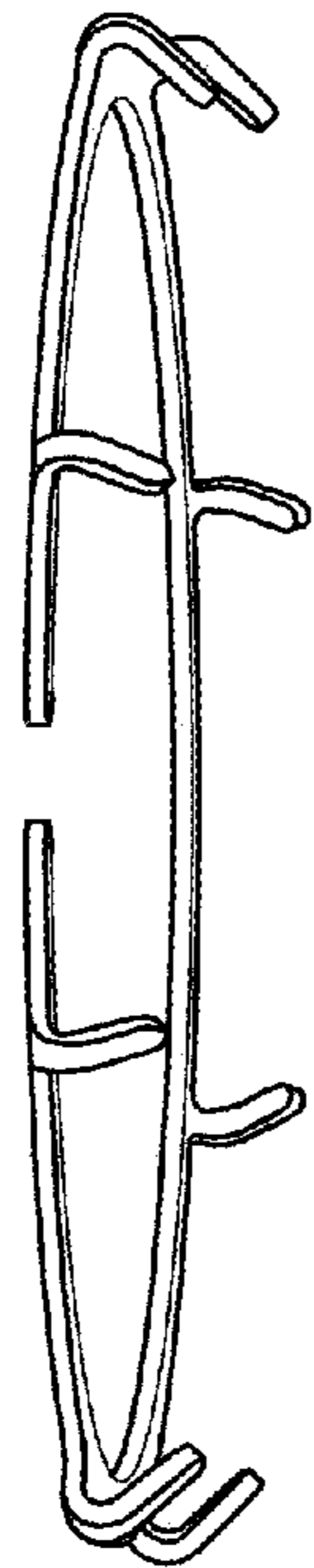
*FIG. 3*



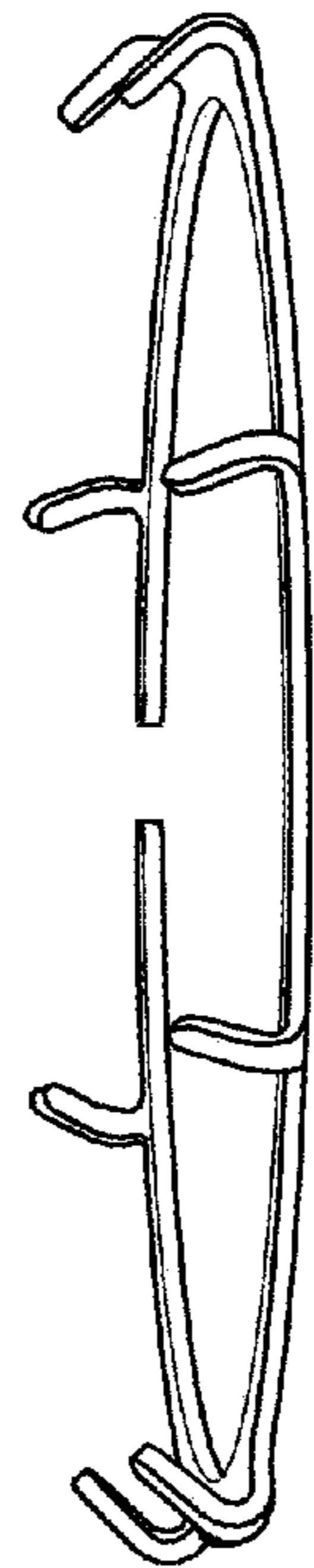
*FIG. 4*



*FIG. 5*



*FIG. 6*



*FIG. 7*