



US00D761089S

(12) **United States Design Patent**
Chen

(10) **Patent No.:** **US D761,089 S**
(45) **Date of Patent:** **** Jul. 12, 2016**

- (54) **MAGNETIC CABLE ORGANIZER**
- (71) Applicant: **Kevin F. Chen**, Irvine, CA (US)
- (72) Inventor: **Kevin F. Chen**, Irvine, CA (US)
- (**) Term: **14 Years**
- (21) Appl. No.: **29/516,172**
- (22) Filed: **Jan. 29, 2015**
- (51) **LOC (10) Cl.** **08-05**
- (52) **U.S. Cl.**
USPC **D8/356**
- (58) **Field of Classification Search**
USPC D8/356, 354, 349, 367; D11/218
CPC F16B 1/00; F16B 2/20; Y10T 24/45199;
B60N 2/26; F16G 1/00; H02G 3/24
See application file for complete search history.

8,910,347 B1 * 12/2014 Wilcox B65D 63/109
24/16 R
D729,045 S * 5/2015 Cavanaugh D8/356
D729,616 S * 5/2015 Rothbaum D8/356
D730,160 S * 5/2015 Rothbaum D8/356
D736,602 S * 8/2015 Rothbaum D8/356
2004/0167456 A1 * 8/2004 Kingsford A61B 5/02233
602/48
2009/0314515 A1 * 12/2009 Bevirt H01B 7/40
174/110 R

* cited by examiner

Primary Examiner — Cynthia Underwood
(74) *Attorney, Agent, or Firm* — Quickpatents, LLC; Kevin Prince

(57) **CLAIM**
I claim the ornamental design for a magnetic cable organizer, as shown and described.

DESCRIPTION

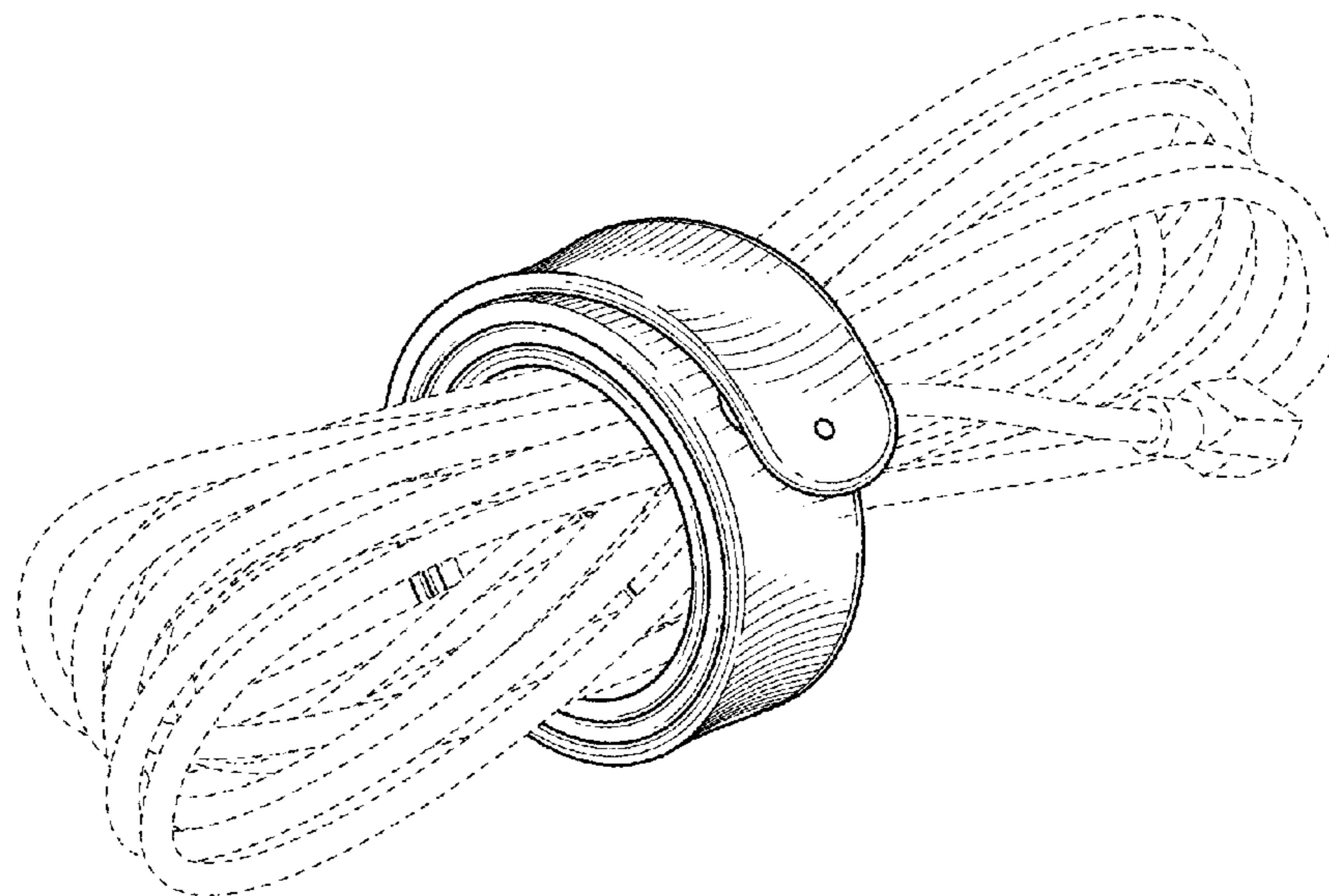
FIG. 1 is a perspective view of a magnetic cable organizer, showing my new design in a rolled configuration around a bundle of cables;
FIG. 2 is a perspective view thereof, shown rolled around a person's arm;
FIG. 3 is an alternate perspective view thereof;
FIG. 4 is a perspective view thereof, illustrated in an unrolled configuration;
FIG. 5 is a right-side elevational view of FIG. 4;
FIG. 6 is a left-side elevational view of FIG. 4;
FIG. 7 is a front elevational view of FIG. 4;
FIG. 8 is a rear elevational view of FIG. 4;
FIG. 9 is a top plan view of FIG. 4; and,
FIG. 10 is a bottom plan view of FIG. 4.
The broken lines showing a bundle of cables in FIG. 1 and a person's arm in FIG. 2 depict environmental matter and form no part of the claimed design.

(56) **References Cited**

U.S. PATENT DOCUMENTS

- 3,086,529 A * 4/1963 Munz A61B 17/1322
128/878
- 6,763,554 B1 * 7/2004 Torrey B65D 63/10
24/17 AP
- D511,450 S * 11/2005 Seth D20/22
- D636,659 S * 4/2011 Rothbaum D8/356
- D658,484 S * 5/2012 Wall D8/349
- D660,740 S * 5/2012 Cullen D11/3
- D666,076 S * 8/2012 Muratore D8/349
- 8,261,416 B2 * 9/2012 Rothbaum F16G 11/14
206/320
- D675,123 S * 1/2013 Nunez D11/3
- D676,733 S * 2/2013 Zach D8/323
- 8,453,899 B1 * 6/2013 Calkin A45F 5/02
224/675
- 8,458,864 B1 * 6/2013 Patton A61F 5/3792
24/16 R
- D693,992 S * 11/2013 Dinunzio D11/220
- D699,143 S * 2/2014 Xu D11/3
- D718,170 S * 11/2014 Aumiller D10/32

1 Claim, 5 Drawing Sheets



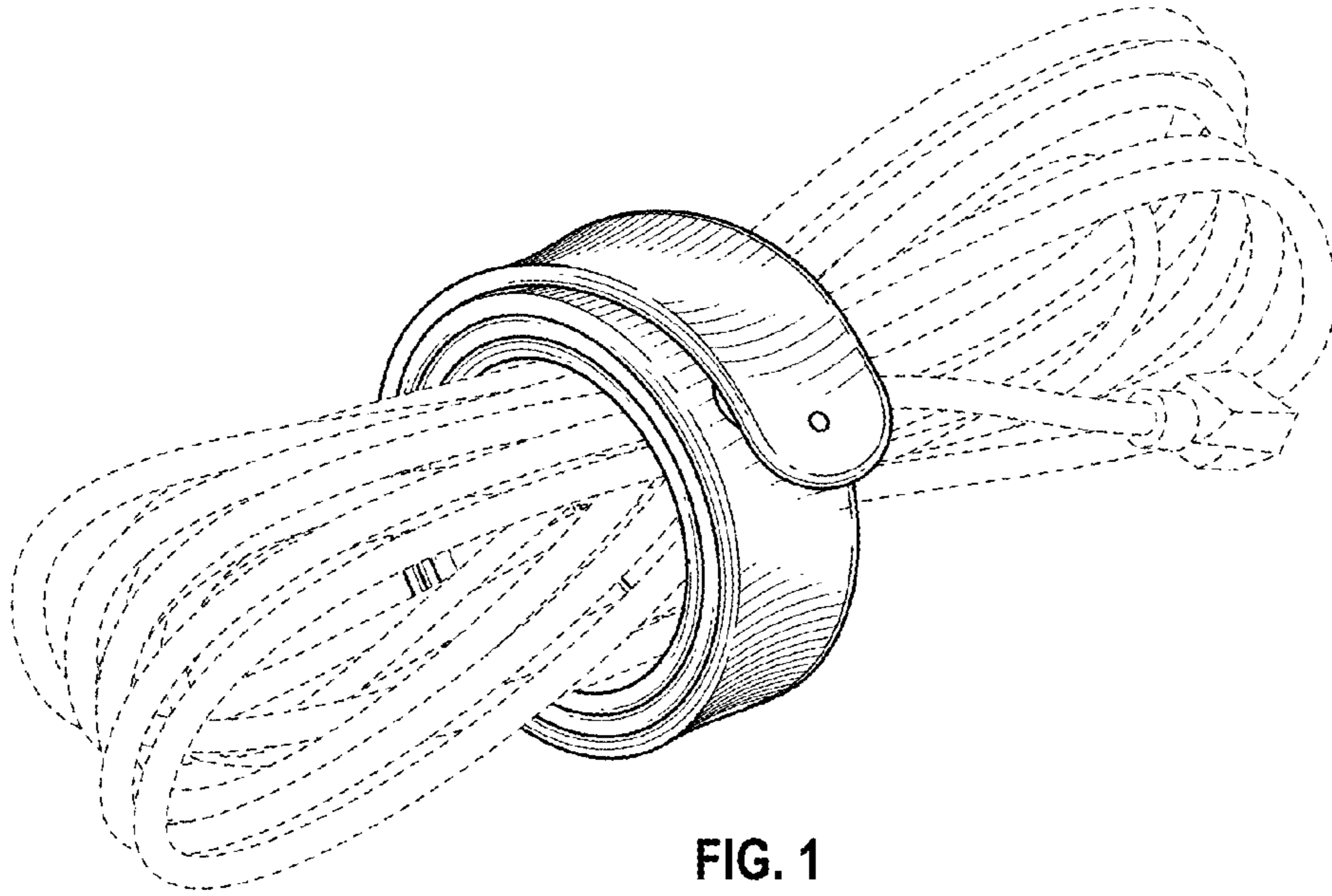


FIG. 1

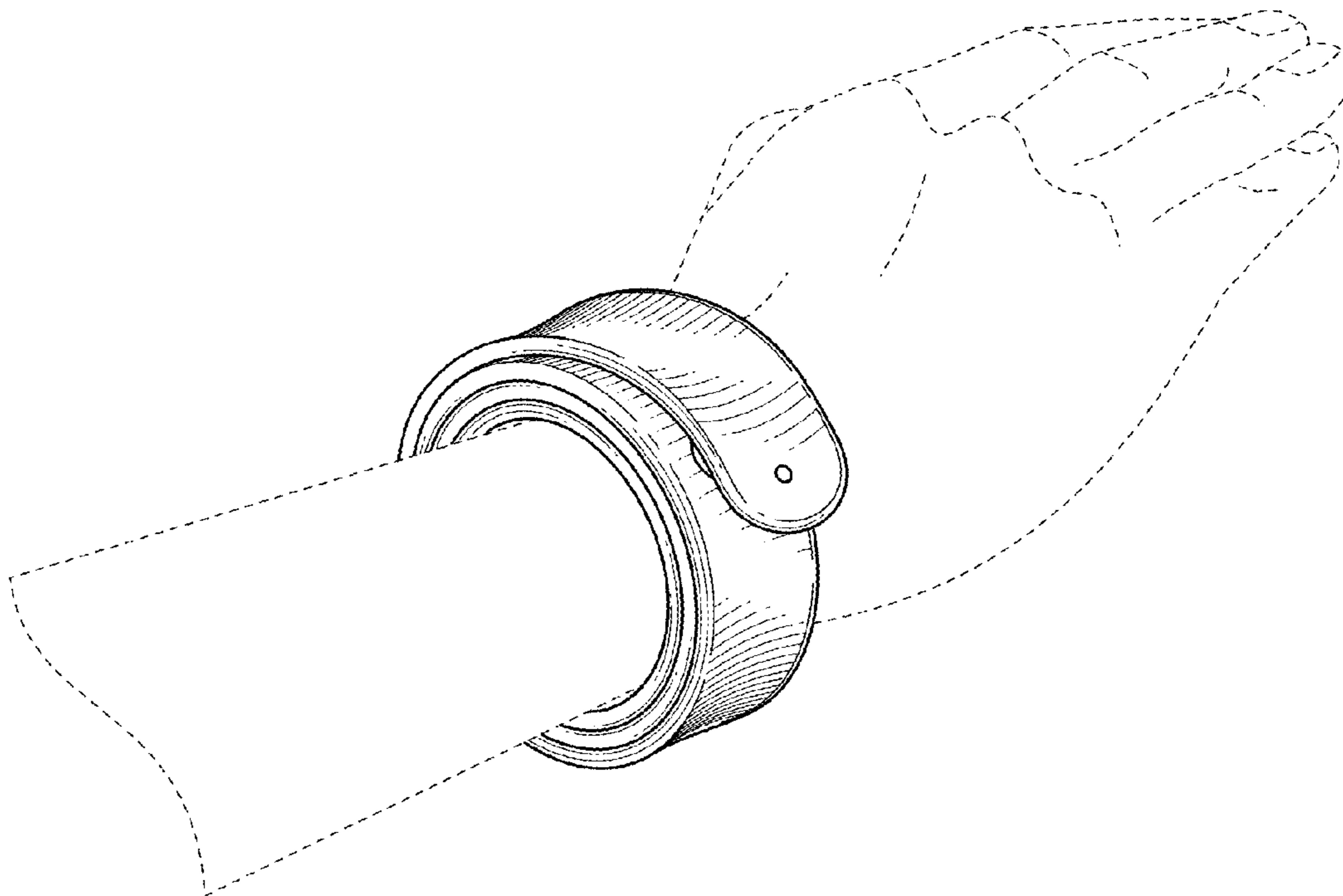


FIG. 2

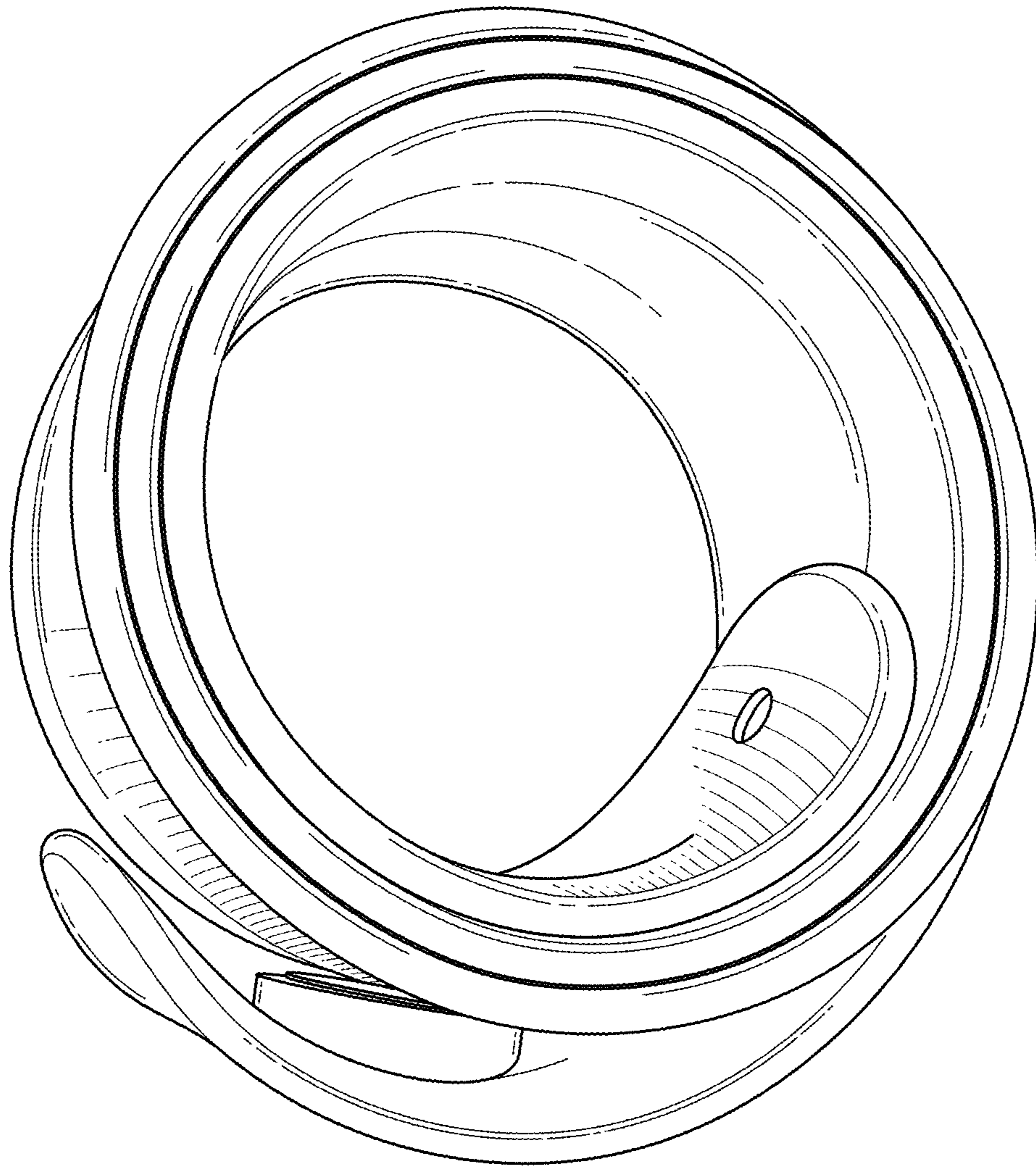


FIG. 3

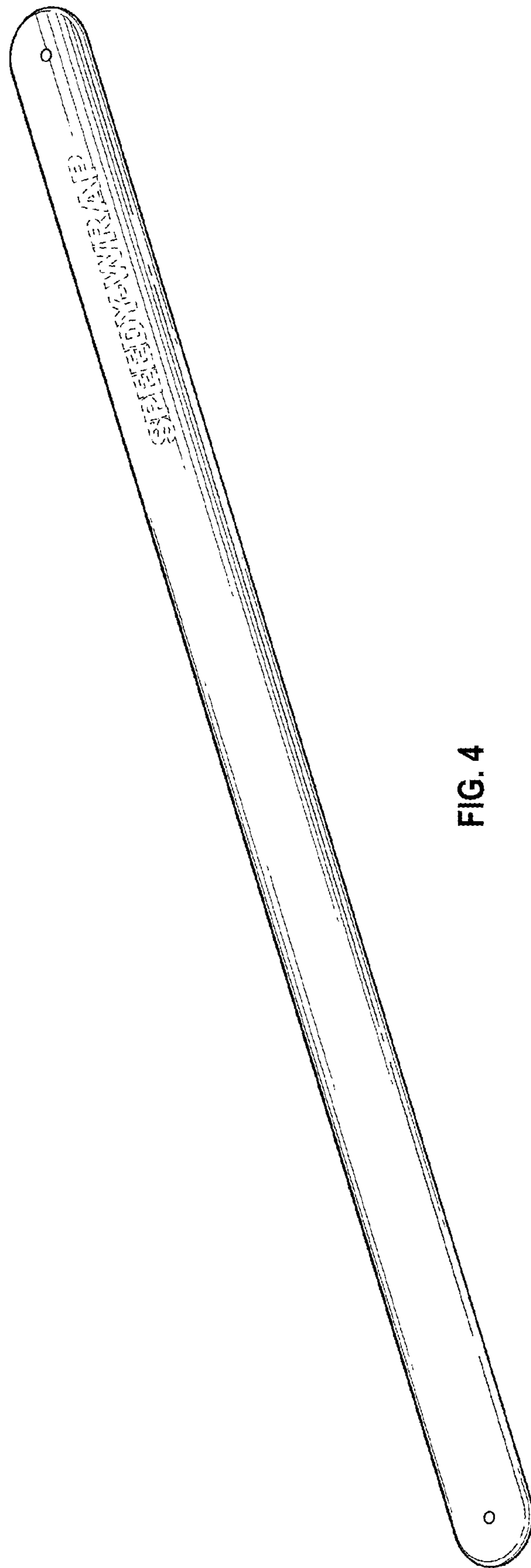


FIG. 4



FIG. 5

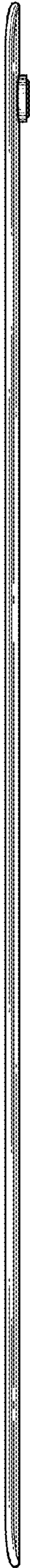


FIG. 6



FIG. 7



FIG. 8

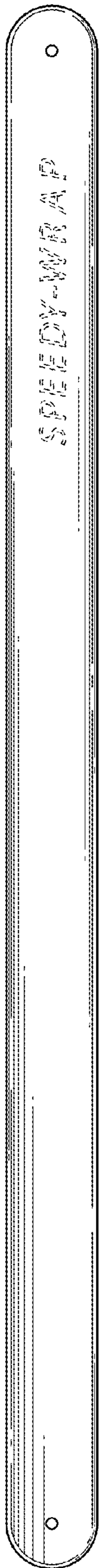


FIG. 9

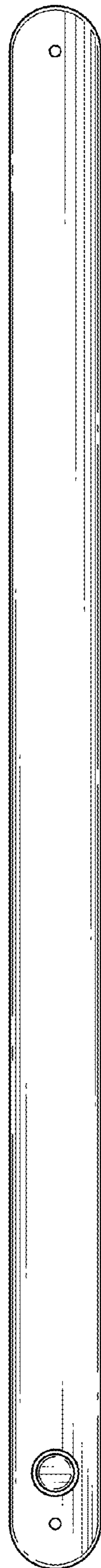


FIG. 10