

US00D761088S

(12) **United States Design Patent**
Leonard

(10) **Patent No.:** **US D761,088 S**
(45) **Date of Patent:** **** Jul. 12, 2016**

(54) **CONTAINER**

(71) Applicant: **Telebrands Corp.**, Fairfield, NJ (US)

(72) Inventor: **Cara Leonard**, Little Falls, NJ (US)

(73) Assignee: **Telebrands Corp.**, Fairfield, NJ (US)

(**) Term: **14 Years**

(21) Appl. No.: **29/516,126**

(22) Filed: **Jan. 29, 2015**

(51) **LOC (10) Cl.** **08-05**

(52) **U.S. Cl.**
USPC **D8/356**

(58) **Field of Classification Search**
USPC D8/356, 354, 349, 367; D11/218;
137/355.27
CPC F16B 1/00; F16B 2/20; Y10T 24/45199;
B60N 2/26; F16G 1/00; H02G 3/24
See application file for complete search history.

(56) **References Cited**

U.S. PATENT DOCUMENTS

2,334,141	A	11/1943	Zierden	
2,871,057	A	1/1959	Bernyk	
3,454,197	A	7/1969	Thompson	
D229,668	S *	12/1973	Boone	D8/358
3,776,262	A	12/1973	Fritsch	
4,588,083	A	5/1986	Hunt	
D330,322	S	10/1992	Wilson	
D372,420	S *	8/1996	Mendez	D8/356
5,564,566	A	10/1996	Lamb	
6,546,953	B1	4/2003	Kowalke	
D494,450	S *	8/2004	Schultz	D8/356
D512,904	S *	12/2005	Thaler	D8/356
D534,065	S *	12/2006	Andre	D14/205
D537,332	S *	2/2007	Nagle	D8/396
H2203	H *	10/2007	Borchardt	D8/396
D577,990	S *	10/2008	Andre	D14/205
D605,032	S *	12/2009	Bushey	D8/402
D632,030	S *	2/2011	Lumsden	D30/138
D635,447	S *	4/2011	Henry	D8/356
D648,685	S *	11/2011	Symons	D13/155

D652,710	S *	1/2012	Yokota	D8/356
D654,781	S *	2/2012	Tsai	D8/359
D659,243	S	5/2012	Sangha	
D665,652	S *	8/2012	Gilpatrick	D8/356
8,281,946	B1	10/2012	Broick	
D679,581	S *	4/2013	Liu	D8/395
D691,874	S *	10/2013	Ganski	D8/356
D691,877	S *	10/2013	Ganski	D8/356
8,544,496	B2	10/2013	Gilpatrick	
8,602,370	B2 *	12/2013	McKenzie	A47G 25/1442 248/215
8,631,964	B1	1/2014	Rael	
D708,052	S *	7/2014	Symons	D8/394
D709,359	S *	7/2014	Symons	D8/396
D711,725	S *	8/2014	Bainbridge	D8/356
8,793,842	B2 *	8/2014	Donovan	F16G 11/14 24/115 N
8,973,881	B2 *	3/2015	Mihajlovic	F21S 6/001 206/303
D733,509	S *	7/2015	Cornu	D7/667
D737,797	S *	9/2015	Roggenkamp	D14/205
D741,701	S *	10/2015	McNeil	D8/356
D741,807	S *	10/2015	Kim	D13/133
2010/0148018	A1 *	6/2010	Schoenau	F16L 5/14 248/74.4
2012/0032020	A1	2/2012	Penney	

* cited by examiner

Primary Examiner — Cynthia Underwood

(74) *Attorney, Agent, or Firm* — Cooper & Dunham, LLP

(57) **CLAIM**

The ornamental design for a container, as shown and described.

DESCRIPTION

FIG. 1 is a top perspective view of a container in accordance with the present design;
FIG. 2 is a bottom perspective view thereof;
FIG. 3 is a front view thereof;
FIG. 4 is a back view thereof;
FIG. 5 is a right side view thereof, the left side being a mirror image of the right side;
FIG. 6 is a top view thereof; and,
FIG. 7 is a bottom view thereof.

1 Claim, 6 Drawing Sheets

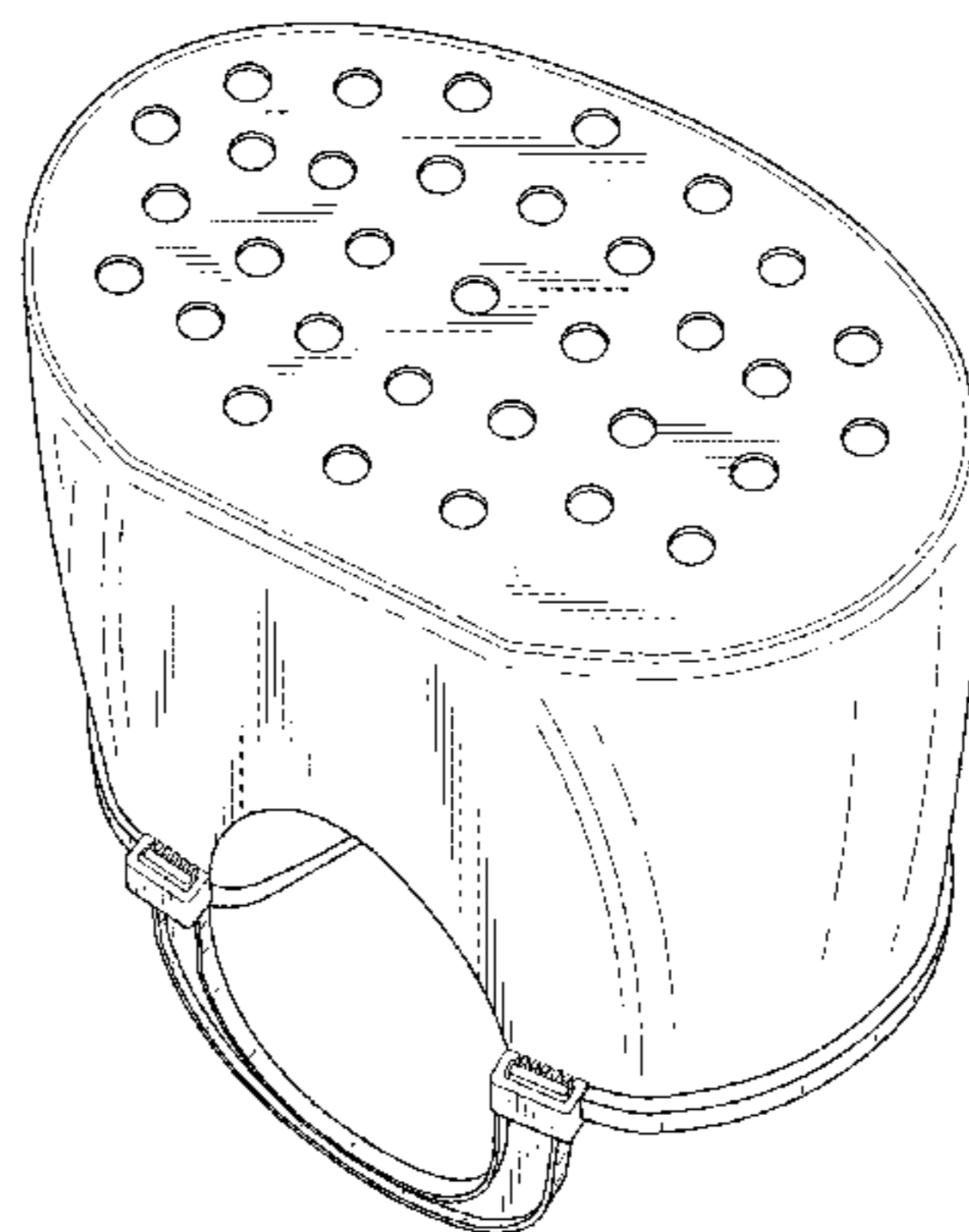
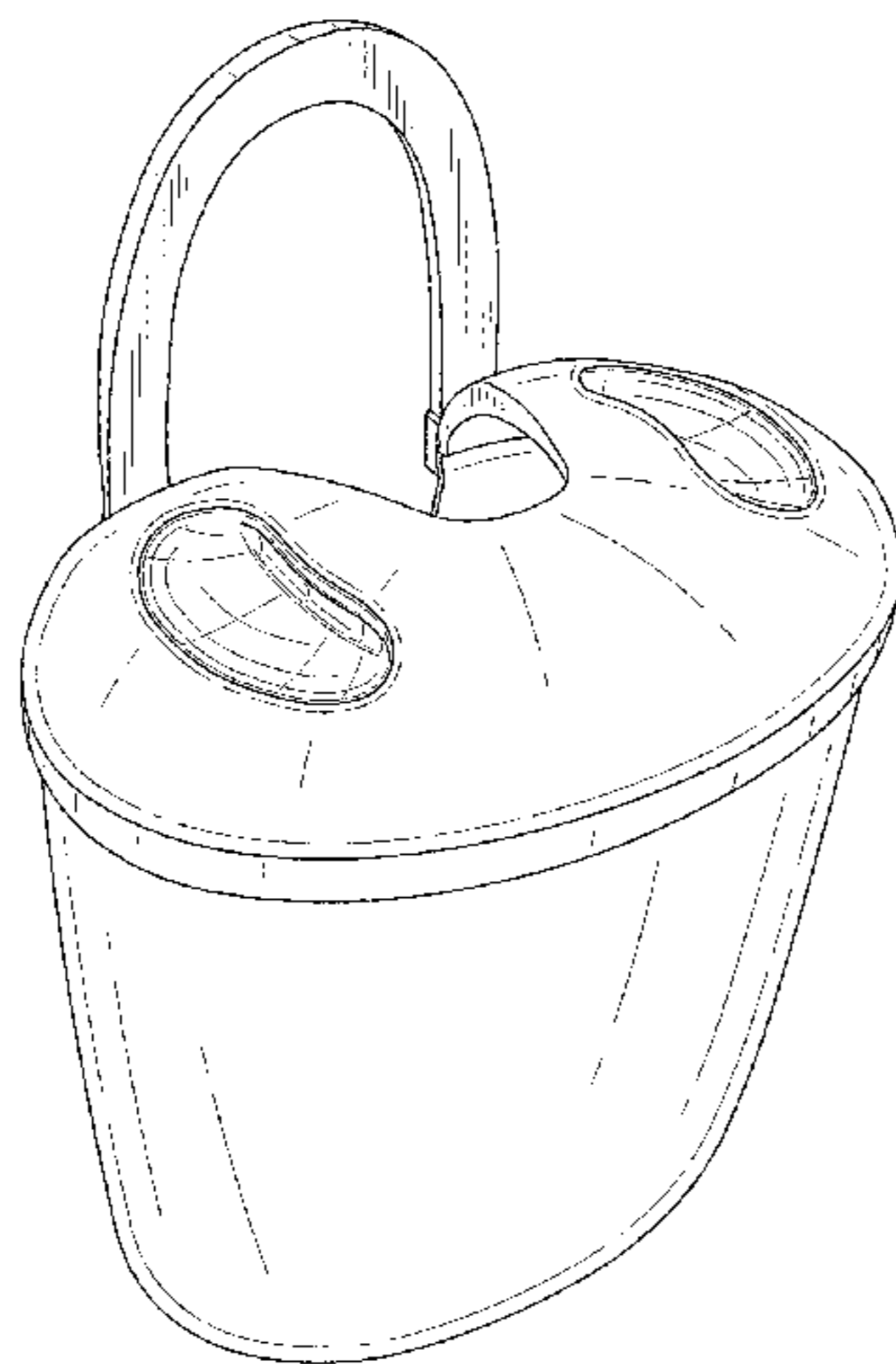


FIG. 1

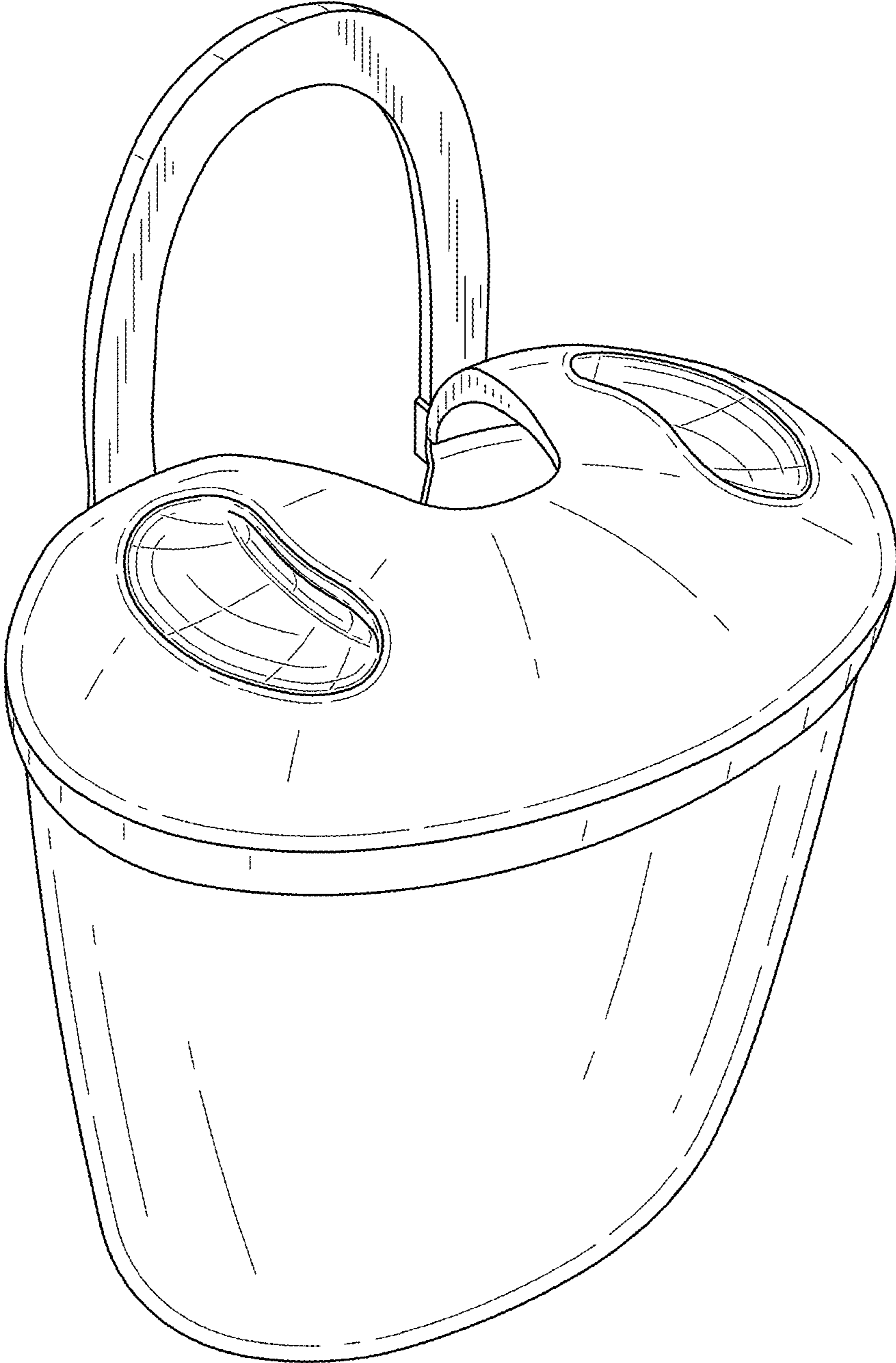


FIG. 2

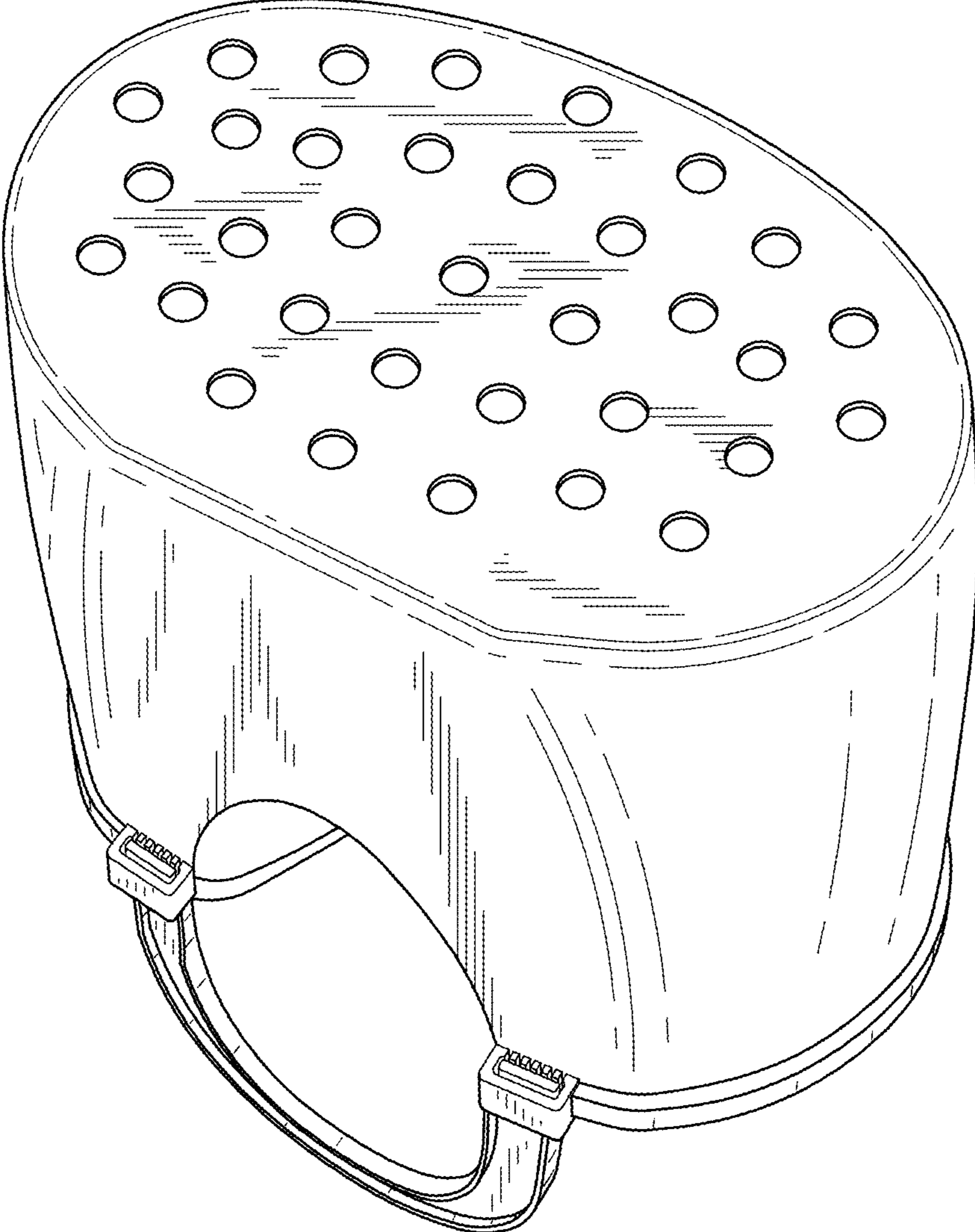


FIG. 3

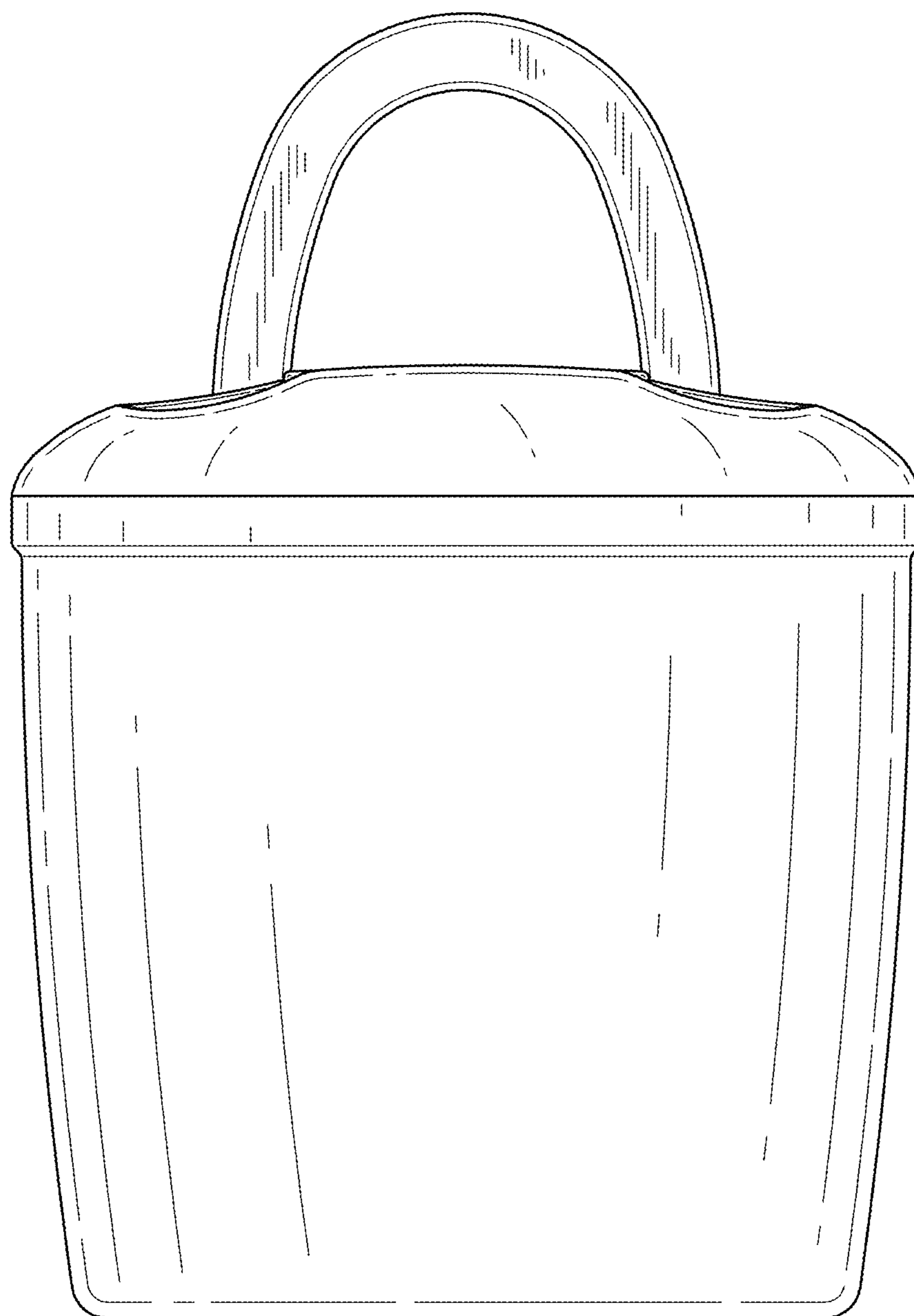


FIG. 4

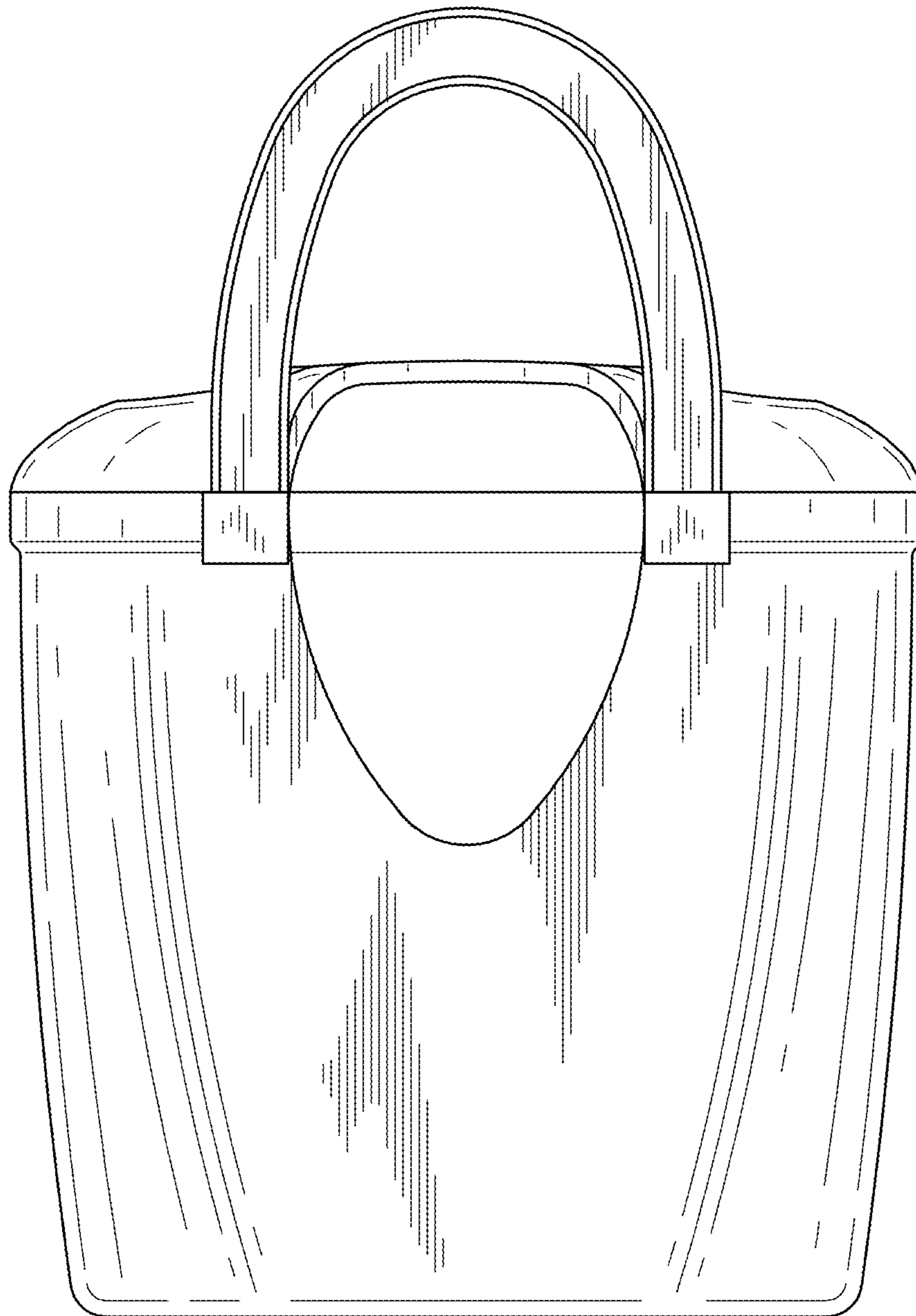


FIG. 5

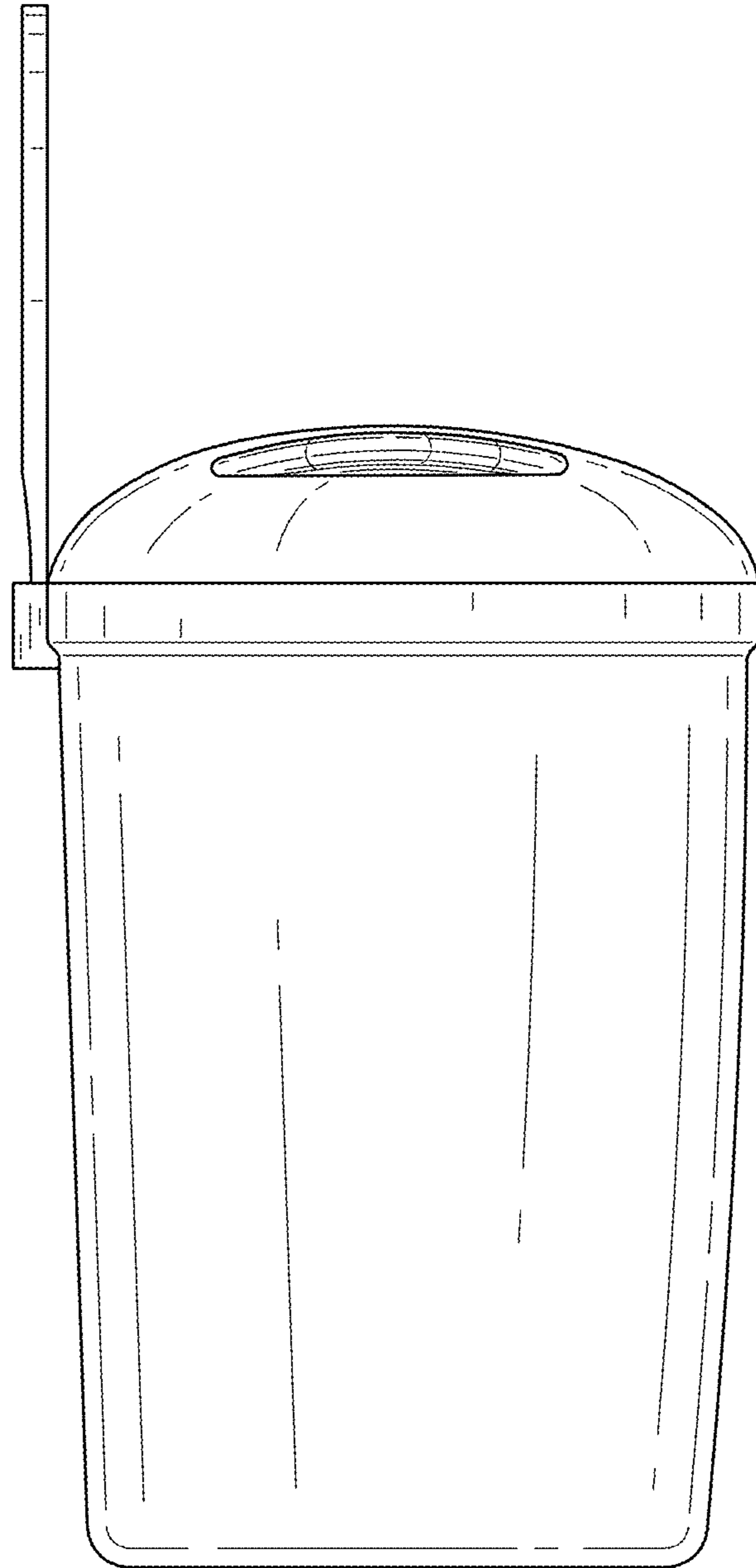


FIG. 6

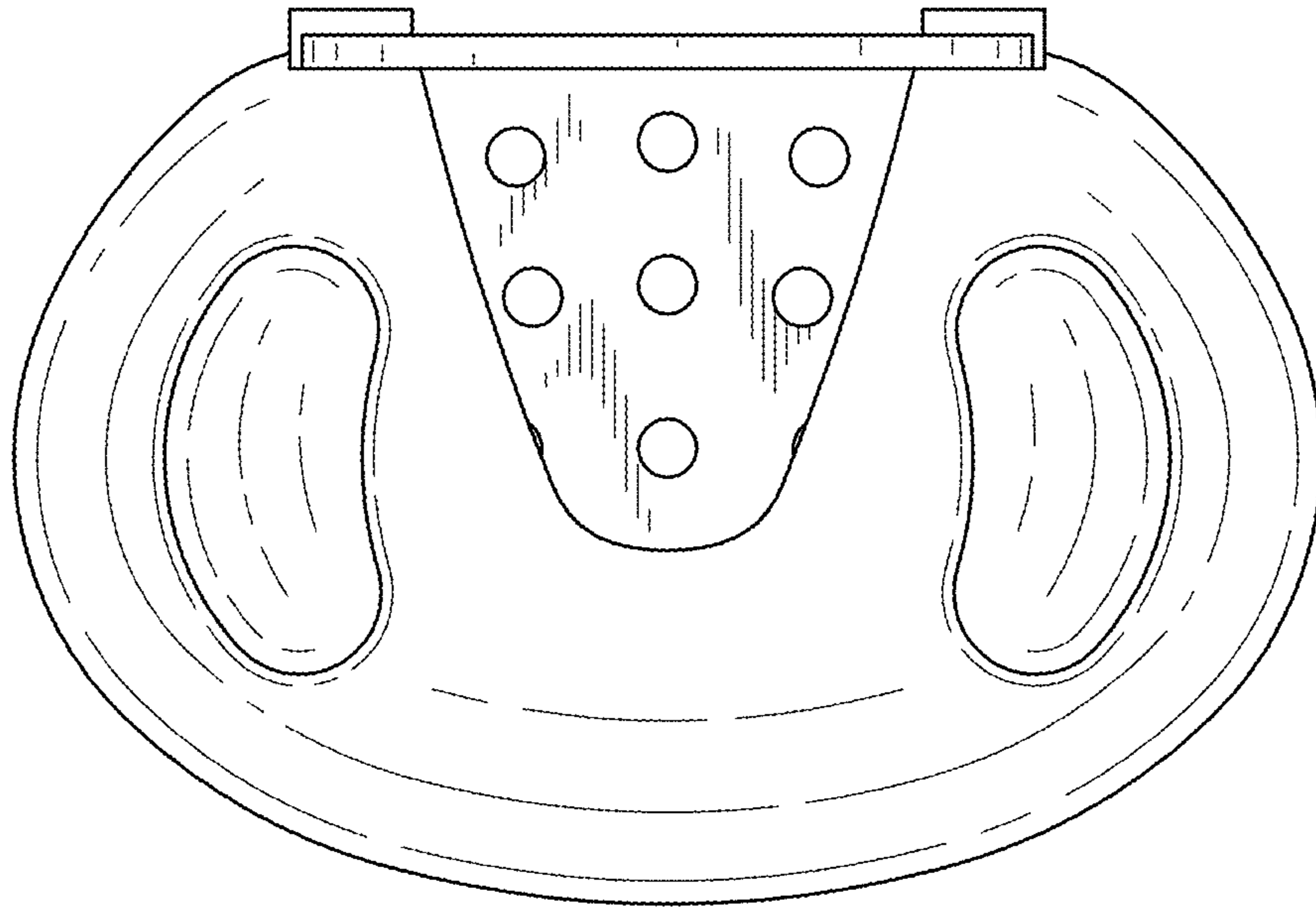


FIG. 7

