



US00D761086S

(12) **United States Design Patent**
Zeidler

(10) **Patent No.:** **US D761,086 S**
(45) **Date of Patent:** **** Jul. 12, 2016**

- (54) **CLEAT**
- (71) Applicant: **Nick Zeidler**, Wauwatosa, WI (US)
- (72) Inventor: **Nick Zeidler**, Wauwatosa, WI (US)
- (73) Assignee: **Trek Bicycle Corporation**, Waterloo, WI (US)
- (**) Term: **14 Years**
- (21) Appl. No.: **29/464,087**
- (22) Filed: **Aug. 13, 2013**
- (51) **LOC (10) Cl.** **08-05**
- (52) **U.S. Cl.**
USPC **D8/356**
- (58) **Field of Classification Search**
USPC D2/906, 962; D8/356, 382, 349, 396,
D8/367, 354, 373, 380, 499; D12/223,
D12/400, 317, 51, 345, 414.1, 414; D6/301,
D6/315, 328, 567
CPC A43C 15/16; A43C 15/162; A43C 15/00;
A43C 15/02; A43C 15/161; A43C 15/164;
A43C 15/165; A43C 15/167; A43B 13/26;
A43B 5/001; B60P 7/0815; B60P 7/15;
B60P 7/08; B61D 45/00; B61D 45/001;
Y10T 24/4773
See application file for complete search history.

- 2,876,729 A * 3/1959 Georgette B63B 17/02
114/218
- 2,919,663 A * 1/1960 Neuhart B61D 17/18
105/423
- 3,062,157 A * 11/1962 Woods B60P 7/06
24/110
- 3,125,036 A * 3/1964 Reynolds B61D 45/001
410/112
- 3,572,755 A * 3/1971 Baldwin B60P 7/0807
24/115 R
- D227,217 S * 6/1973 Pick D8/356
- 4,023,284 A * 5/1977 Rydberg A43C 15/00
36/59 R
- 4,146,979 A * 4/1979 Fabbrie A43C 15/167
36/127
- 4,169,415 A * 10/1979 Winsor B61D 17/08
296/39.1
- 4,492,047 A * 1/1985 Arff A43C 15/161
36/134
- 4,833,796 A * 5/1989 Flemming A43C 15/168
36/134

(Continued)

FOREIGN PATENT DOCUMENTS

- AT 372826 B * 11/1983 A43B 13/26
- DE 3706068 A1 * 9/1988 A43C 15/167

(Continued)

Primary Examiner — Sheryl Lane
Assistant Examiner — Ieisha Price

(57) **CLAIM**

The ornamental design for a cleat, as shown and described.

DESCRIPTION

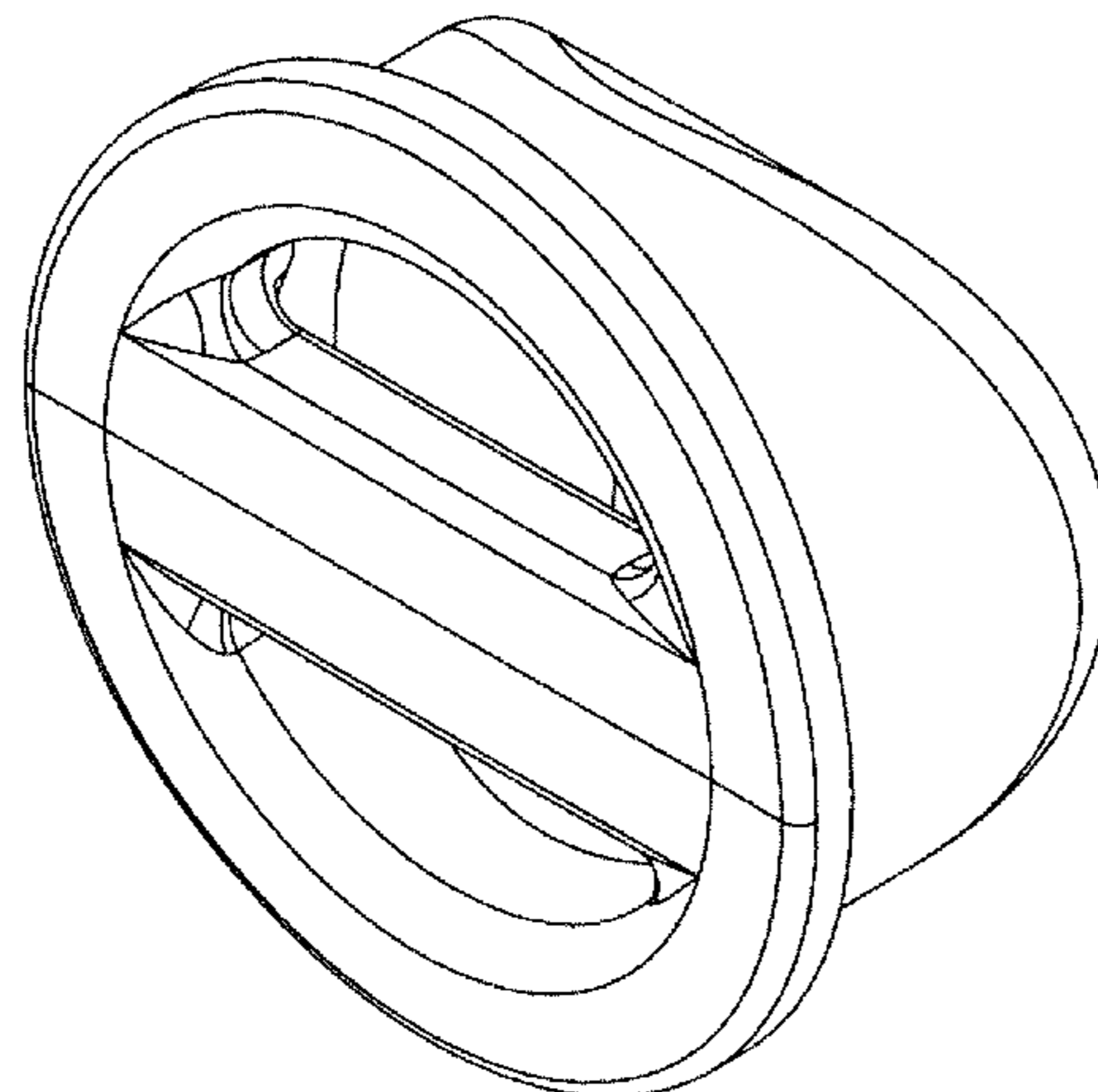
FIG. 1 is a top view of a cleat showing my new design;
FIG. 2 is a front view thereof, the back view is a mirror image thereof;
FIG. 3 is a right side view thereof, the left side view is a mirror image thereof;
FIG. 4 is sectional view thereof, taken along the 4-4 of FIG. 1;
and,
FIG. 5 is a perspective view thereof.

1 Claim, 3 Drawing Sheets

(56) **References Cited**

U.S. PATENT DOCUMENTS

- 2,605,721 A * 8/1952 Johnson B61D 45/001
24/115 K
- 2,675,766 A * 4/1954 Johnson B61D 45/001
24/265 CD
- RE24,032 E * 7/1955 Johnson B61D 45/001
24/265 CD
- RE24,033 E * 7/1955 Johnson B61D 45/001
24/265 CD
- 2,843,060 A * 7/1958 Sladek B60P 7/0807
410/112



(56)

References Cited

U.S. PATENT DOCUMENTS

4,907,355 A * 3/1990 Allen A43B 5/14
36/131
D376,531 S * 12/1996 Polley D21/443
5,623,774 A * 4/1997 Abbey A43C 15/162
36/127
D416,778 S * 11/1999 Pitcher D8/330
6,106,206 A * 8/2000 Spier B60P 7/0807
410/102
6,161,315 A * 12/2000 Dalton A43B 13/141
36/134
D454,681 S * 3/2002 Duval D2/962
D469,245 S * 1/2003 Savoie D2/962
6,655,886 B2 * 12/2003 Grandy B61D 45/001
410/106
D529,692 S * 10/2006 Marvin D2/946
D532,960 S * 12/2006 Pellerin D2/962
D580,641 S * 11/2008 Schmid D2/946
7,836,734 B2 * 11/2010 Lynch B63B 35/7933
441/74
8,234,799 B2 * 8/2012 Kokavec A43C 15/161
36/134
D704,535 S * 5/2014 Burda D8/356
D704,536 S * 5/2014 Porta D8/356

D739,711 S * 9/2015 Thompson D8/356
2002/0100190 A1 * 8/2002 Pellerin A43B 5/00
36/126
2008/0038075 A1 * 2/2008 Aftanas B60P 7/0815
410/150
2008/0229620 A1 * 9/2008 Corbett A43D 999/00
36/134
2009/0211118 A1 * 8/2009 Krikorian A43C 15/16
36/134
2013/0019504 A1 * 1/2013 Kim A43B 3/246
36/103
2013/0036632 A1 * 2/2013 Malarkar A43B 5/005
36/134
2015/0237964 A1 * 8/2015 Auger A43C 15/167
36/62
2015/0257491 A1 * 9/2015 Koch A43C 15/161
36/134

FOREIGN PATENT DOCUMENTS

EP 0826588 A1 * 3/1998 A43B 5/14
GB 1505141 A * 3/1978 A43C 15/00
JP 2686957 B2 * 12/1997 A43C 15/167
WO WO 2008152502 A1 * 12/2008

* cited by examiner

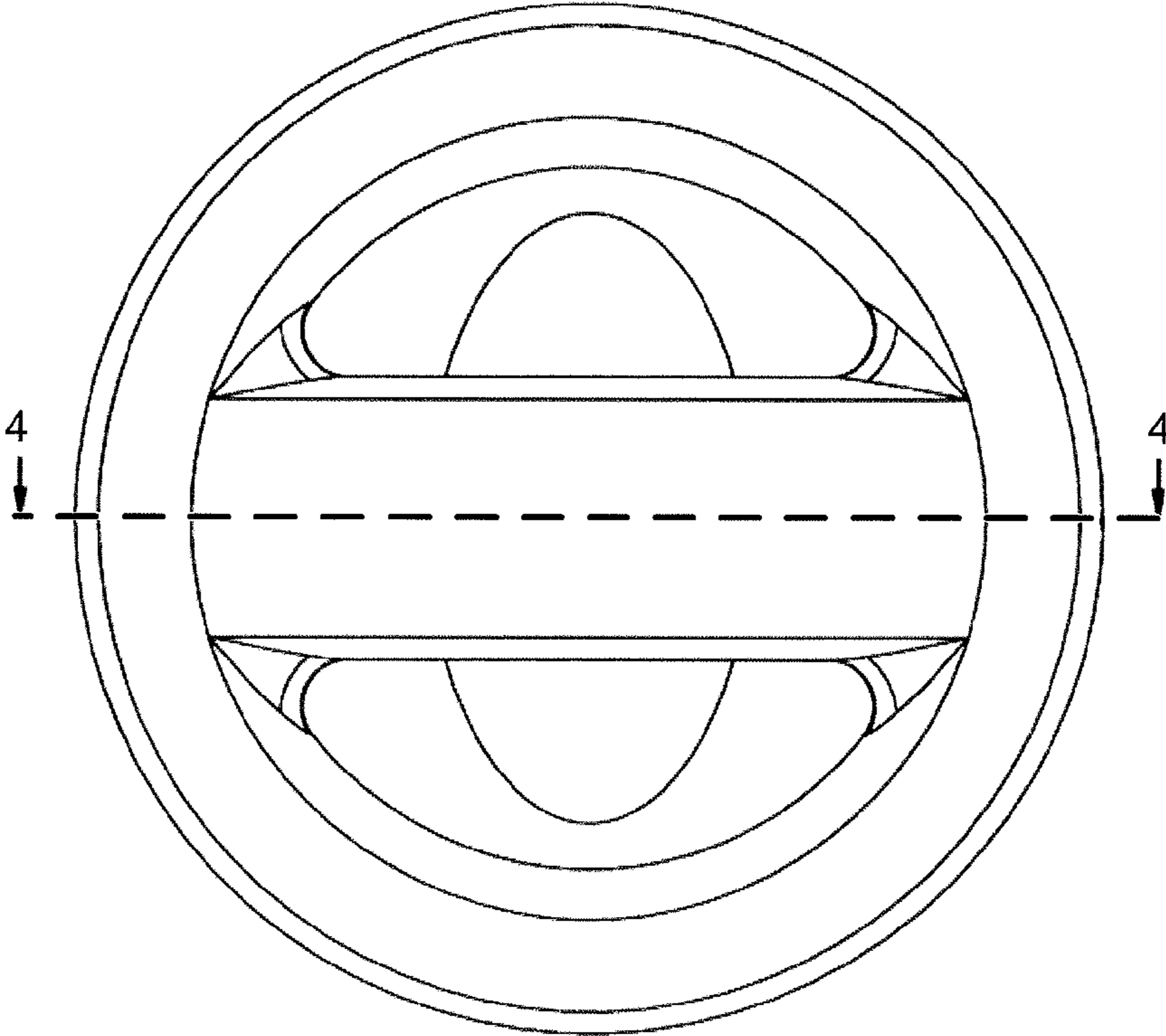


FIG. 1

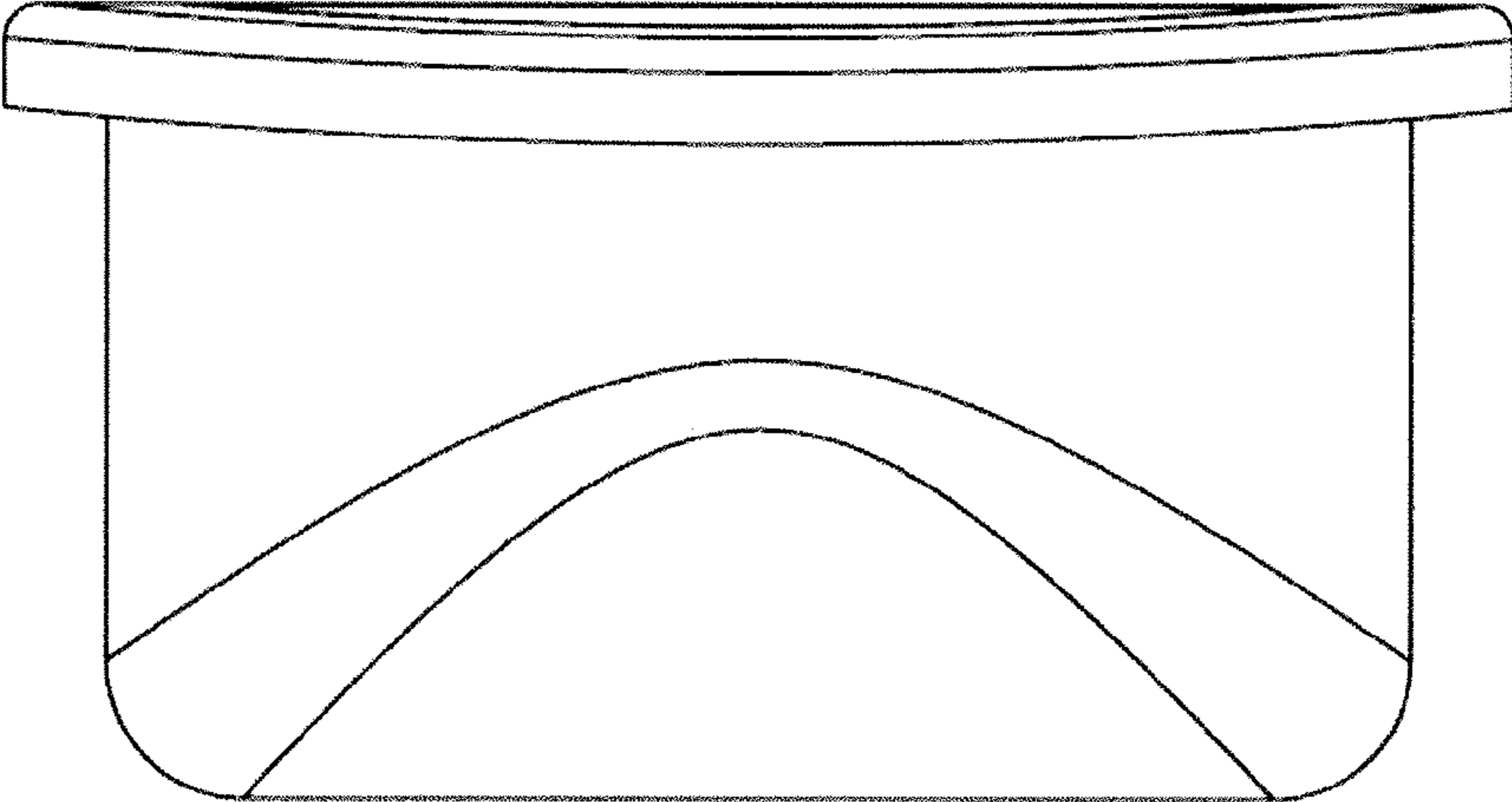


FIG. 2

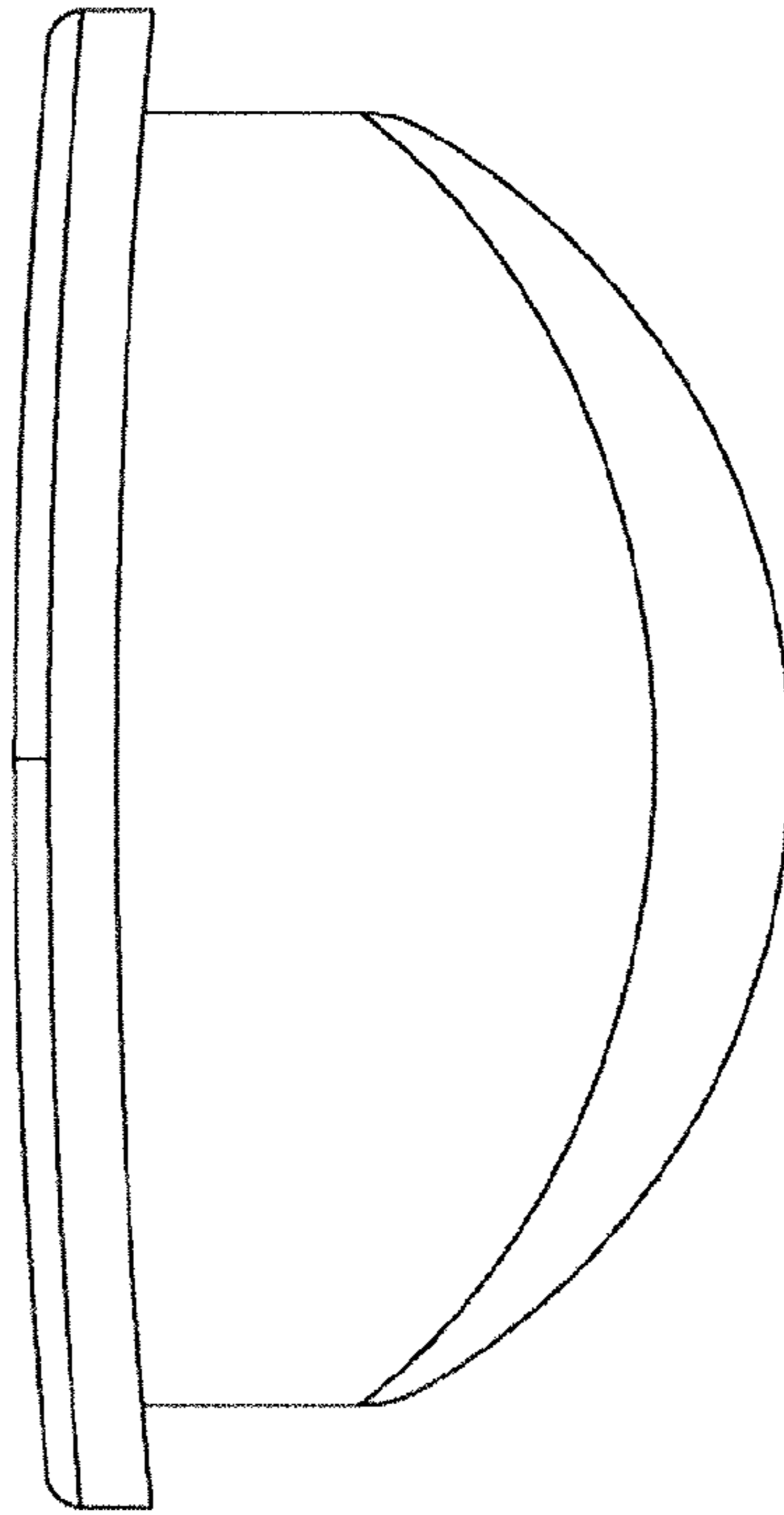


FIG. 3

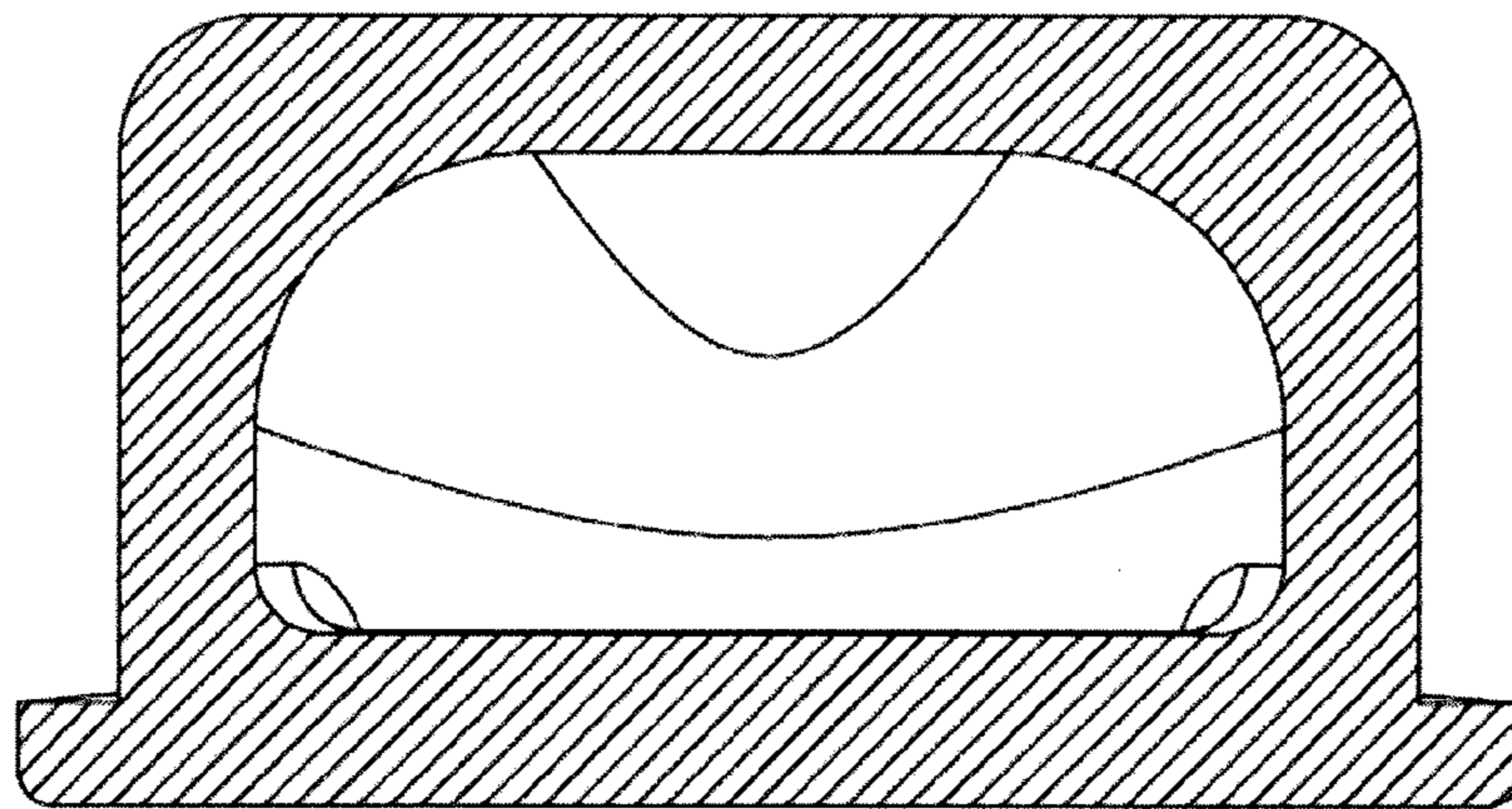


FIG. 4

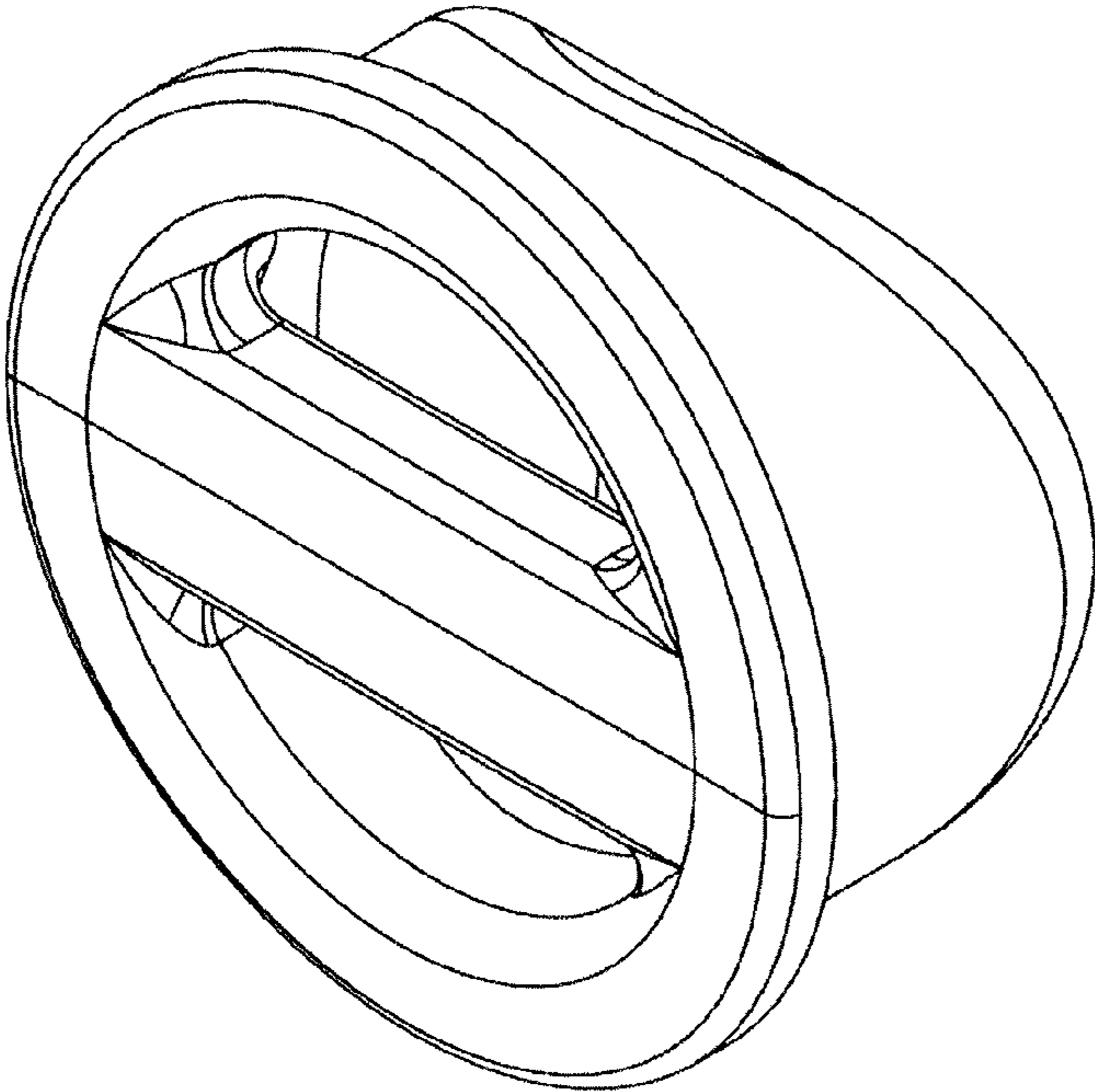


FIG. 5