



US00D761085S

(12) **United States Design Patent**
Cox

(10) **Patent No.:** **US D761,085 S**
(45) **Date of Patent:** **** Jul. 12, 2016**

- (54) **PIPELINE BRACKET**
- (71) Applicant: **Garric Stephen Cox**, Eureka, CA (US)
- (72) Inventor: **Garric Stephen Cox**, Eureka, CA (US)
- (73) Assignee: **TruTorque Corporation**, Dripping Springs, TX (US)
- (**) Term: **14 Years**
- (21) Appl. No.: **29/516,650**
- (22) Filed: **Feb. 4, 2015**

Related U.S. Application Data

- (63) Continuation-in-part of application No. 29/503,871, filed on Sep. 30, 2014.
- (51) **LOC (10) Cl.** **08-05**
- (52) **U.S. Cl.**
USPC **D8/354**
- (58) **Field of Classification Search**
USPC D8/349, 354, 356, 363, 366, 380, 382,
D8/383, 394, 396, 499; D12/223;
211/71.01, 85.18; 242/566; 248/58,
248/62-65, 67.7, 68.1, 69, 316.1, 534
CPC E04H 17/1421; E04H 2017/1473
See application file for complete search history.

(56) **References Cited**

U.S. PATENT DOCUMENTS

D32,168	S	*	1/1900	Haines	D8/349
2,496,249	A		1/1950	Lawrence		
3,069,189	A	*	12/1962	Hollaender	E04G 7/14 285/188
D204,057	S	*	3/1966	Logan	D25/38.1
3,848,889	A		11/1974	Sharrow		
4,338,045	A		7/1982	Cour		
4,360,177	A	*	11/1982	Dulhunty	H02G 7/053 174/40 R
D373,720	S	*	9/1996	Hirano	D8/382
D381,257	S	*	7/1997	Hirano	D8/382

5,730,552	A		3/1998	Johannesson et al.		
D394,999	S	*	6/1998	Phillip	D8/380
D420,483	S	*	2/2000	Abbestam	D34/29
6,128,867	A		10/2000	MacKarvich		
D448,537	S	*	9/2001	Harrah	D34/35
6,298,611	B1		10/2001	Oliver et al.		
D465,188	S	*	11/2002	McCoy	D12/223
6,530,546	B1		3/2003	Cyrell		
6,871,455	B1		3/2005	Cockman et al.		
D505,617	S	*	5/2005	Eason	D8/396
6,971,826	B2		12/2005	Valentine		
D550,075	S	*	9/2007	Tung	D8/396
D563,769	S	*	3/2008	Short	D8/354
7,360,978	B2		4/2008	Howes		
D616,286	S	*	5/2010	Foresman	D8/354
D635,445	S	*	4/2011	Foresman	D8/354
D644,915	S	*	9/2011	Chen	D8/354
8,092,119	B2		1/2012	Downey		
D742,213	S	*	11/2015	Sasanecki	D8/396
2013/0043368	A1	*	2/2013	Hill	E04H 17/1421 248/534

* cited by examiner

Primary Examiner — Susan Bennett Hattan

Assistant Examiner — Leanne Was

(74) *Attorney, Agent, or Firm* — Pierson IP, PLLC

(57) **CLAIM**

The ornamental design for a pipeline bracket, as shown and described.

DESCRIPTION

FIG. 1 is a top perspective view of a pipeline bracket showing our new design thereof;

FIG. 2 is a side view of the pipeline bracket shown in FIG. 1;

FIG. 3 is a top view of the pipeline bracket shown in FIG. 1;

FIG. 4 is a front view of the pipeline bracket shown in FIG. 1;

and,

FIG. 5 is a perspective view of the pipeline bracket, with environmental structures, shown in FIG. 1.

Elements shown in broken lines depict portions of the pipeline bracket that form no part of our design.

1 Claim, 5 Drawing Sheets

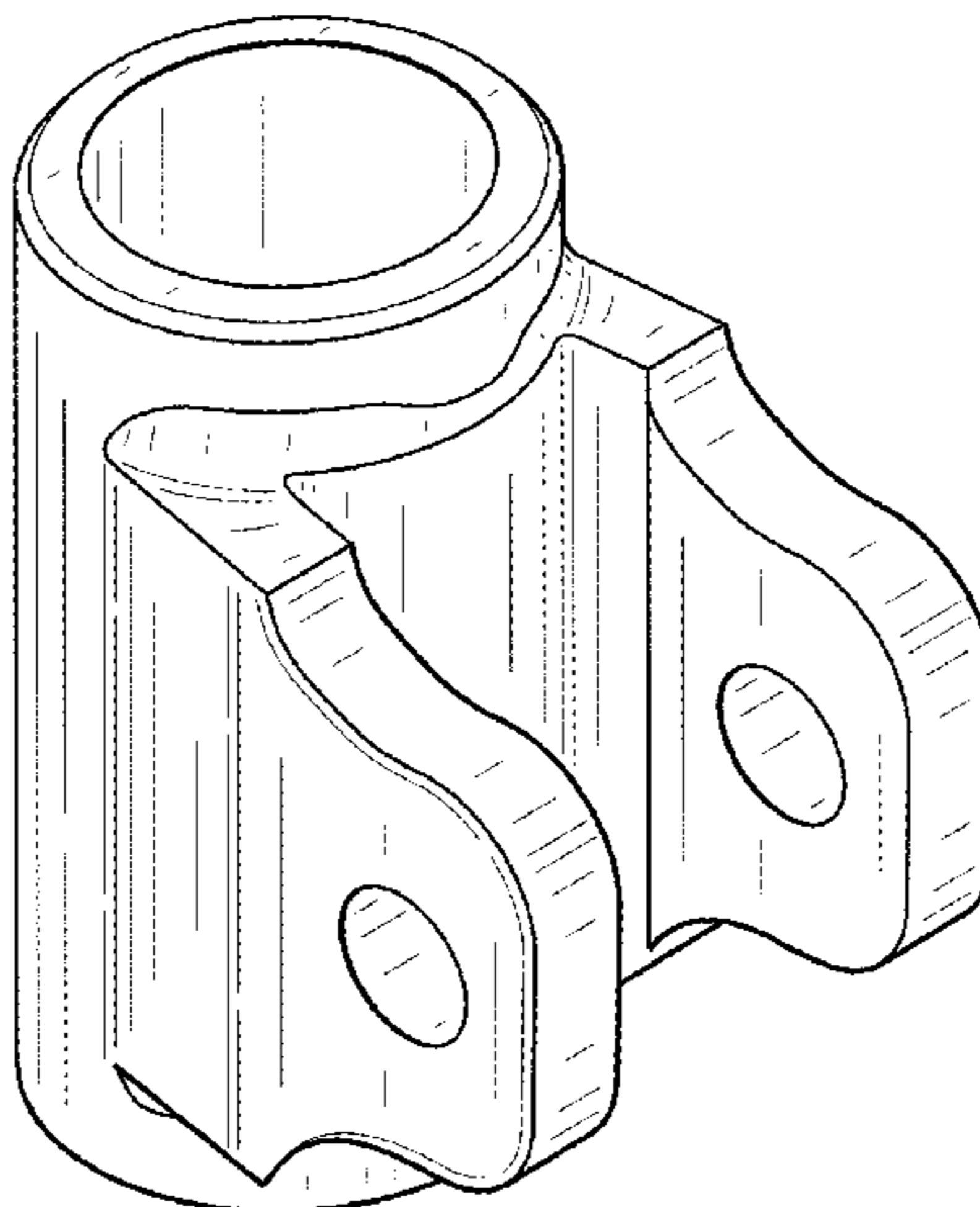


FIG. 1

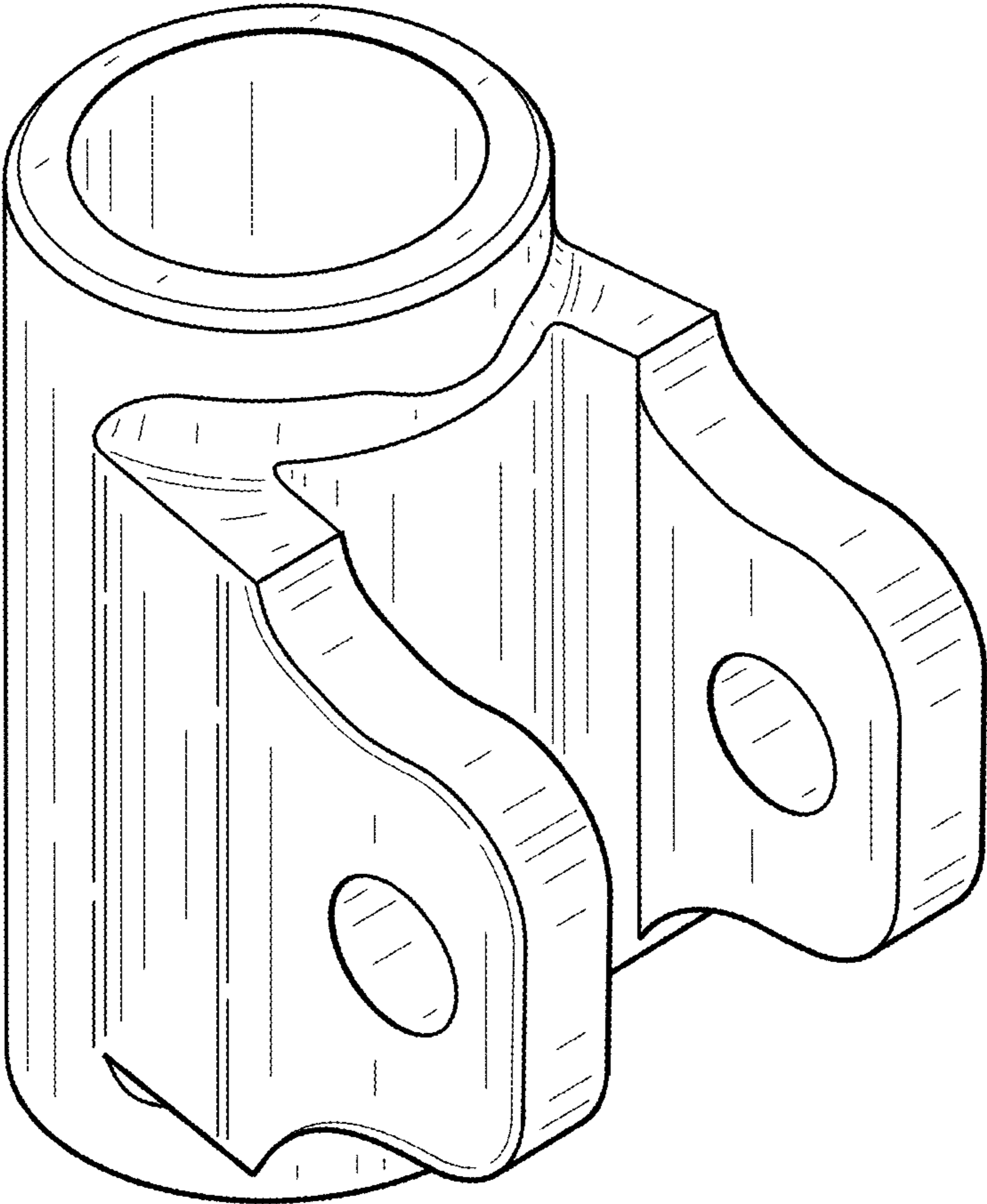


FIG. 2

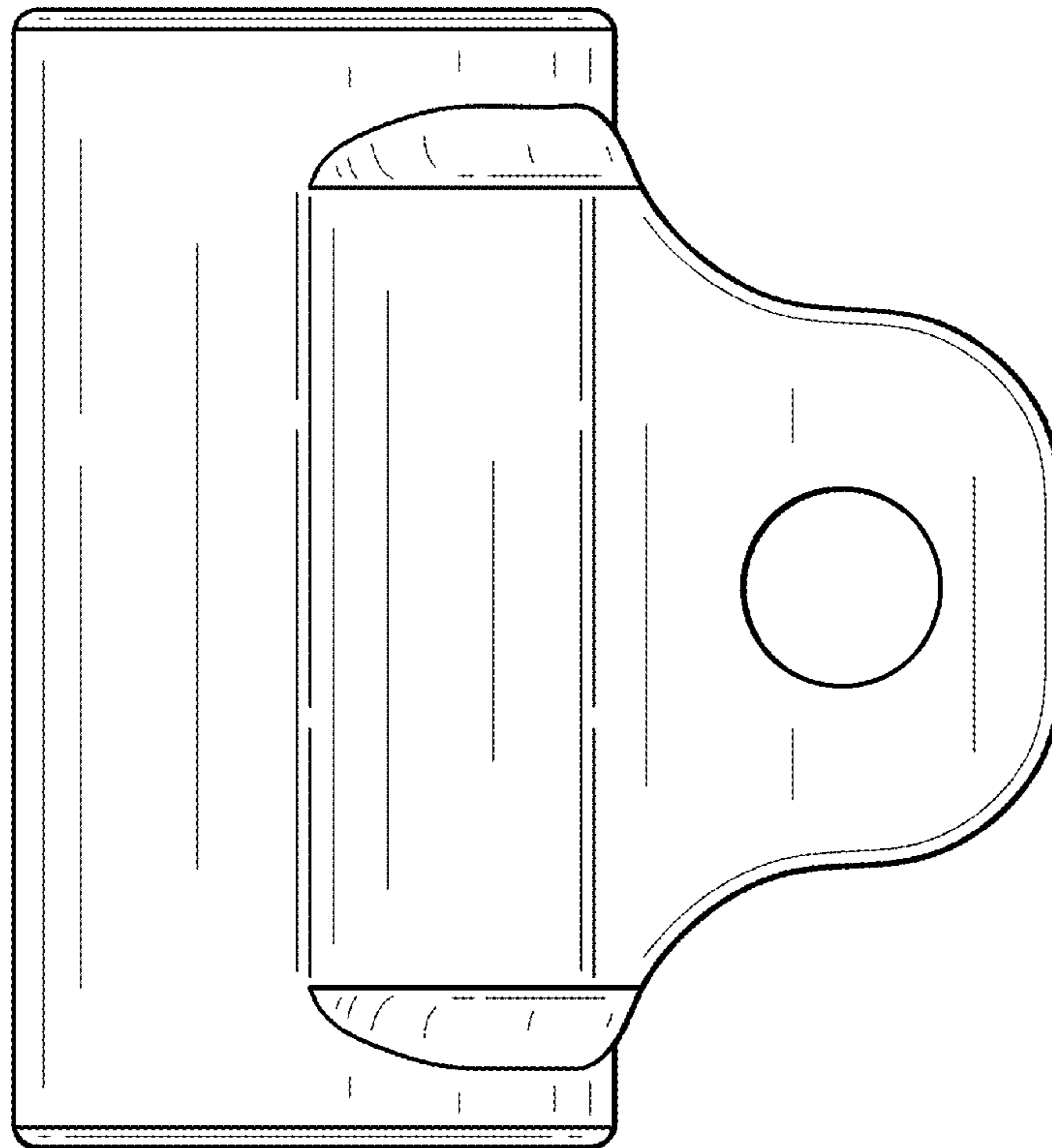


FIG. 3

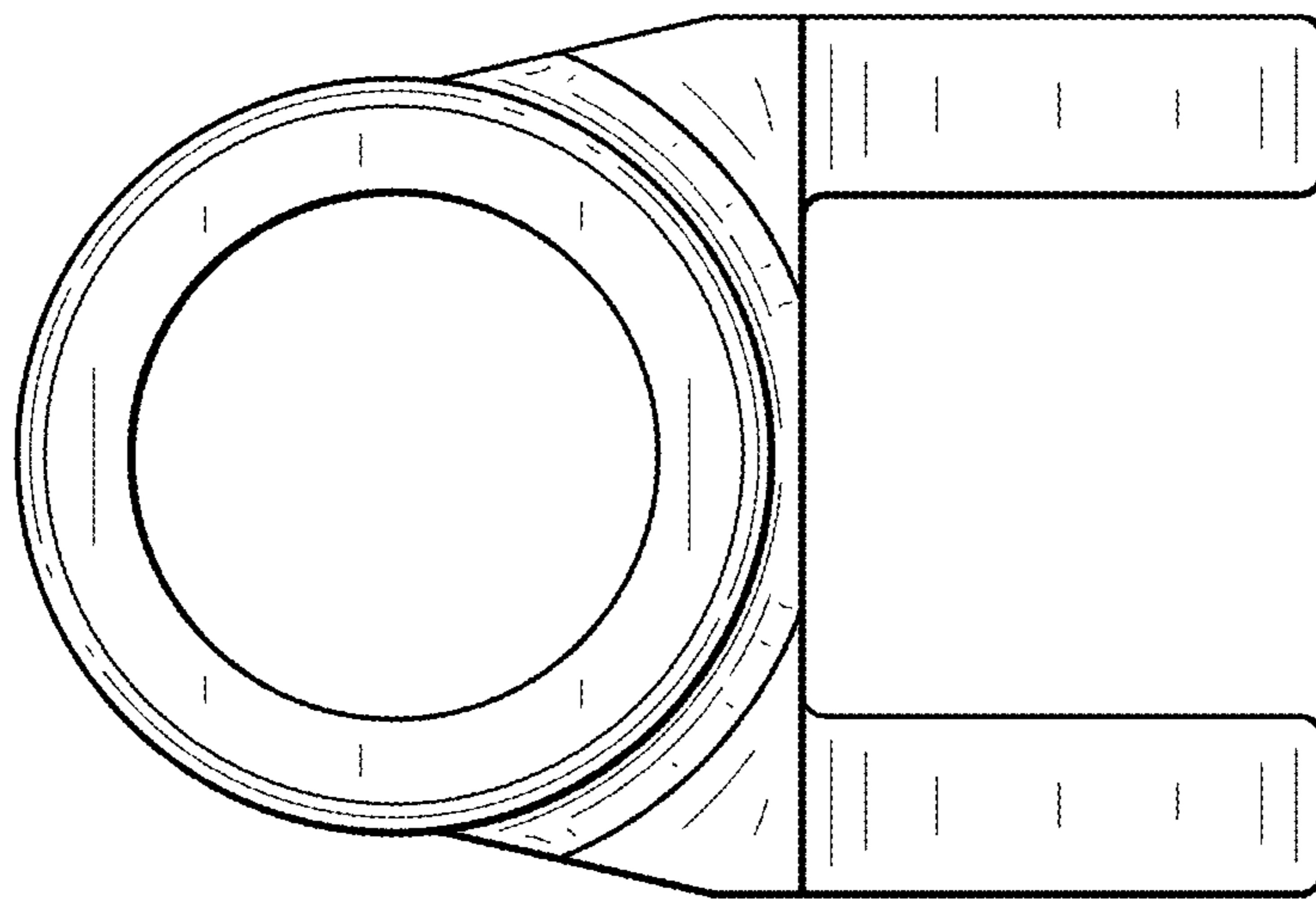


FIG. 4

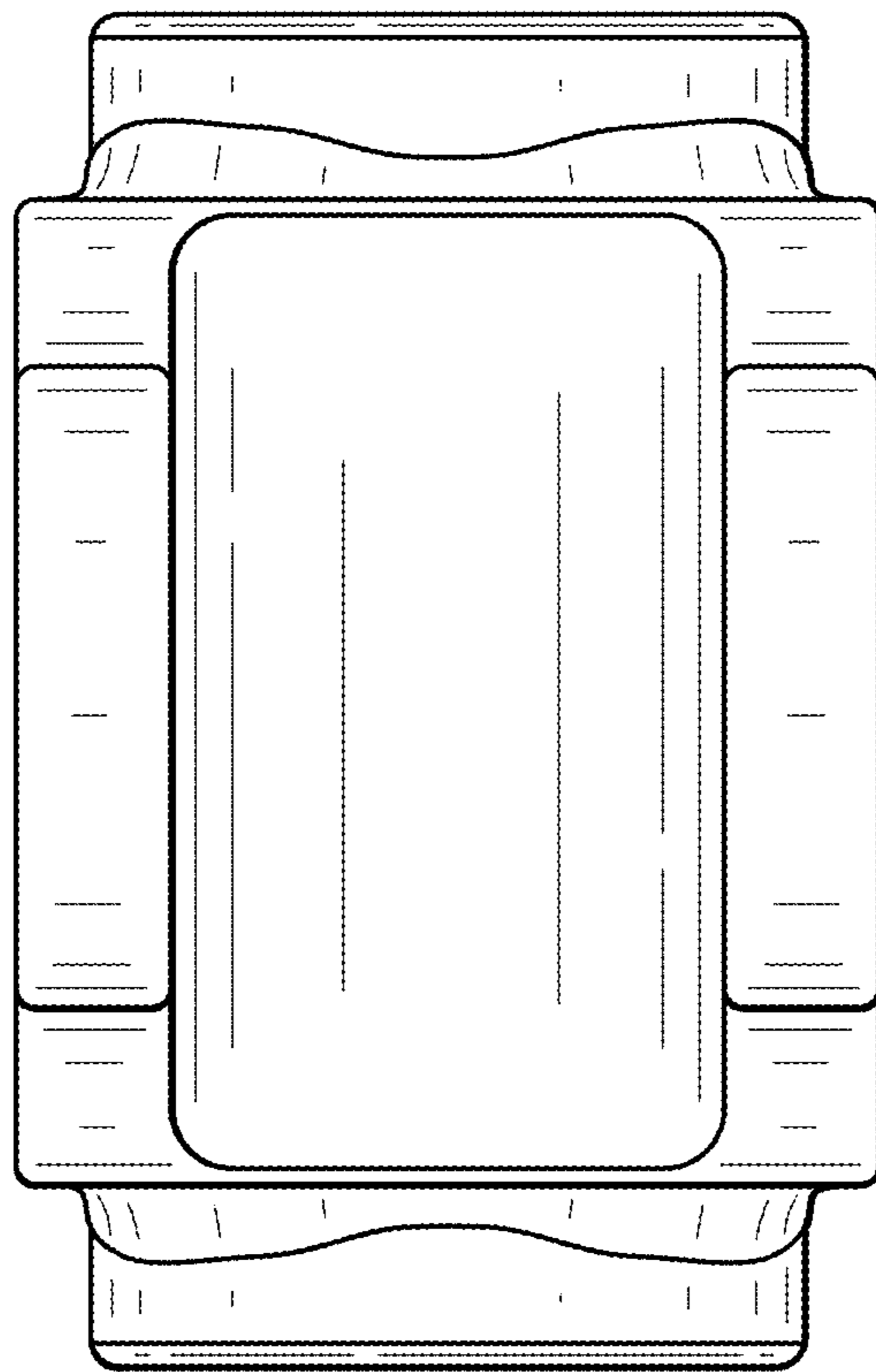


FIG. 5

