



US00D761083S

(12) **United States Design Patent**
Gobbi

(10) **Patent No.:** **US D761,083 S**
(45) **Date of Patent:** **** Jul. 12, 2016**

- (54) **ICE CRAMPON**
- (71) Applicant: **Grivel S.r.l.**, Courmayeur (IT)
- (72) Inventor: **Gioachino Gobbi**, Courmayeur (IT)
- (73) Assignee: **GRIVEL S.R.L.**, Courmayeur (IT)
- (**) Term: **14 Years**
- (21) Appl. No.: **29/484,687**
- (22) Filed: **Mar. 12, 2014**

- (30) **Foreign Application Priority Data**
- Sep. 12, 2013 (EM) 002307843-0002
- Sep. 12, 2013 (EM) 002307843-0003
- (51) **LOC (10) Cl.** **08-05**
- (52) **U.S. Cl.**
- USPC **D8/354**
- (58) **Field of Classification Search**
- USPC D3/318
- See application file for complete search history.

- (56) **References Cited**
- U.S. PATENT DOCUMENTS
- D451,282 S * 12/2001 Konkle D3/318
- D611,710 S * 3/2010 Paik D3/318

* cited by examiner

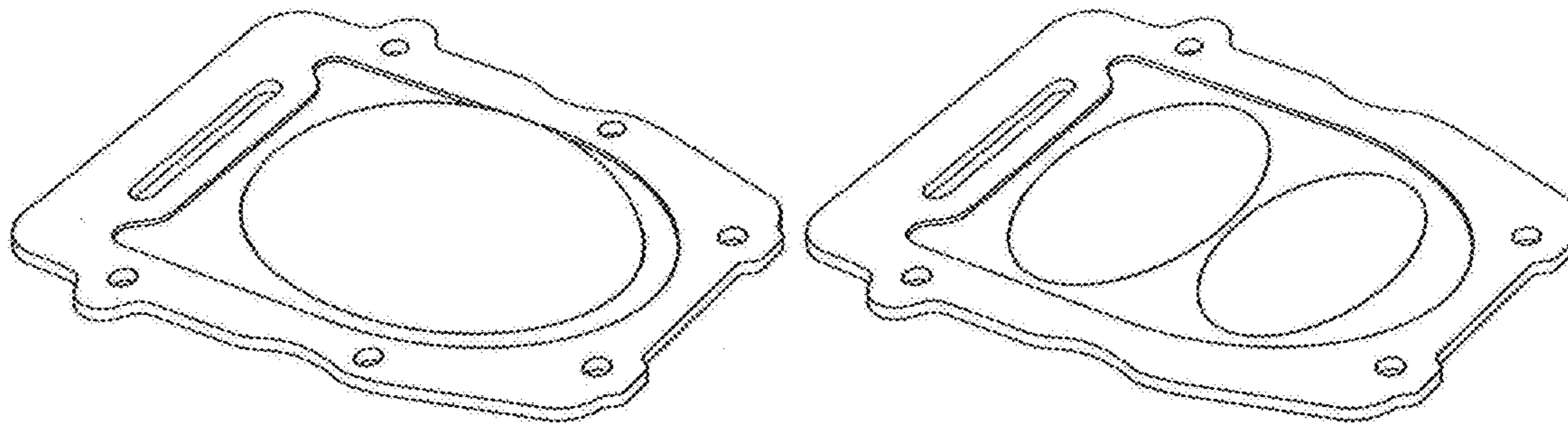
Primary Examiner — Holly Baynham
(74) *Attorney, Agent, or Firm* — Greer, Burns & Crain, Ltd.

(57) **CLAIM**
The ornamental design for an ice crampon, as shown and described.

DESCRIPTION

FIG. 1 is a perspective view of a first embodiment of the ice crampon.
 FIG. 2 is a top view of the ice crampon of FIG. 1.
 FIG. 3 is a first lateral view of the ice crampon of FIG. 1.
 FIG. 4 is a second lateral view of the ice crampon of FIG. 1.
 FIG. 5 is a front view of the ice crampon of FIG. 1.
 FIG. 6 is a rear view of the ice crampon of FIG. 1.
 FIG. 7 is a bottom view of the ice crampon of FIG. 1.
 FIG. 8 is a perspective view of a second embodiment of the ice crampon.
 FIG. 9 is a top view of the ice crampon of FIG. 8.
 FIG. 10 is a first lateral view of the ice crampon of FIG. 8.
 FIG. 11 is a second lateral view of the ice crampon of FIG. 8.
 FIG. 12 is a front view of the ice crampon of FIG. 8.
 FIG. 13 is a rear view of the ice crampon of FIG. 8; and,
 FIG. 14 is a bottom view of the ice crampon of FIG. 8.

1 Claim, 14 Drawing Sheets



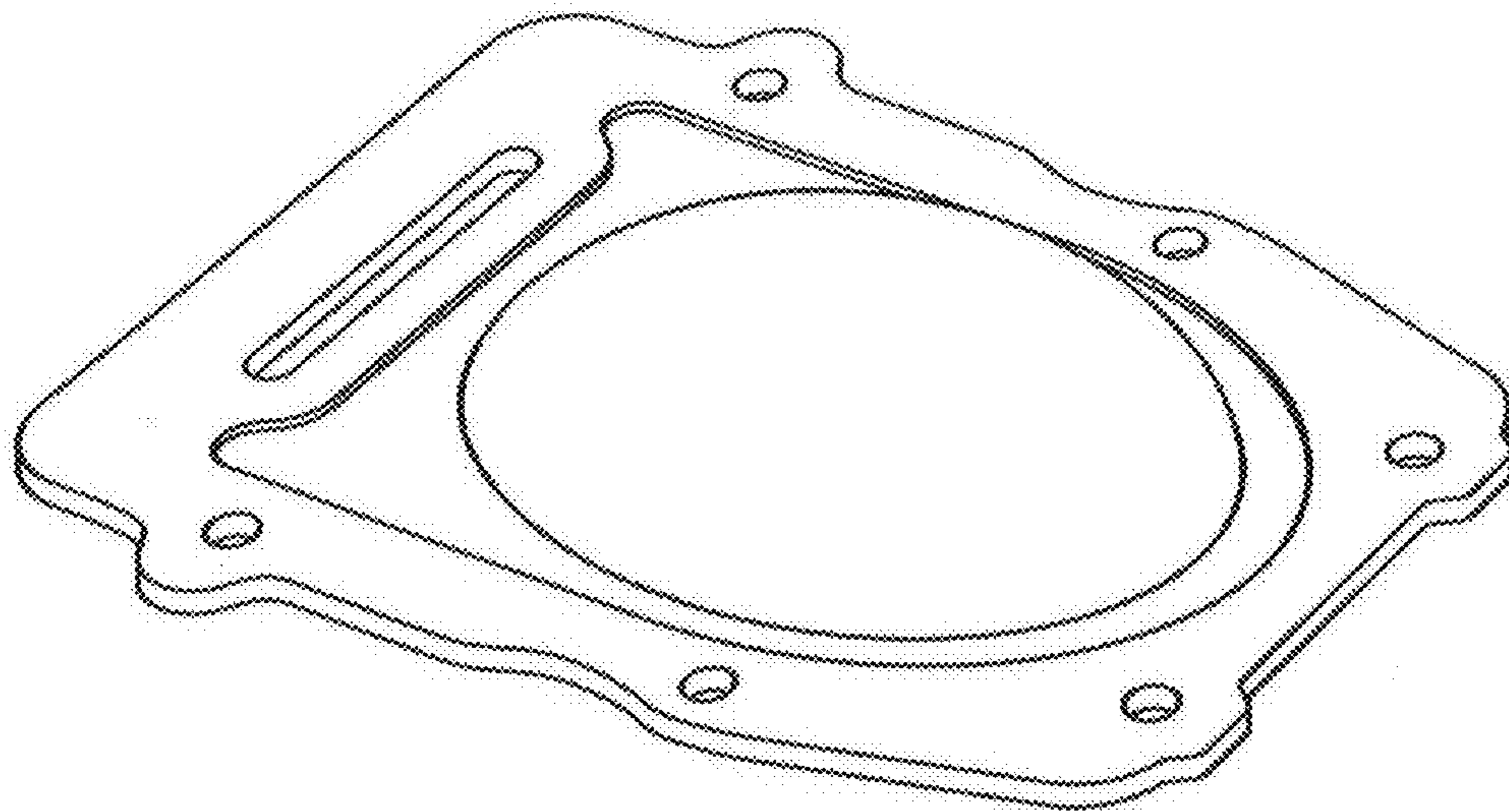


FIG. 1

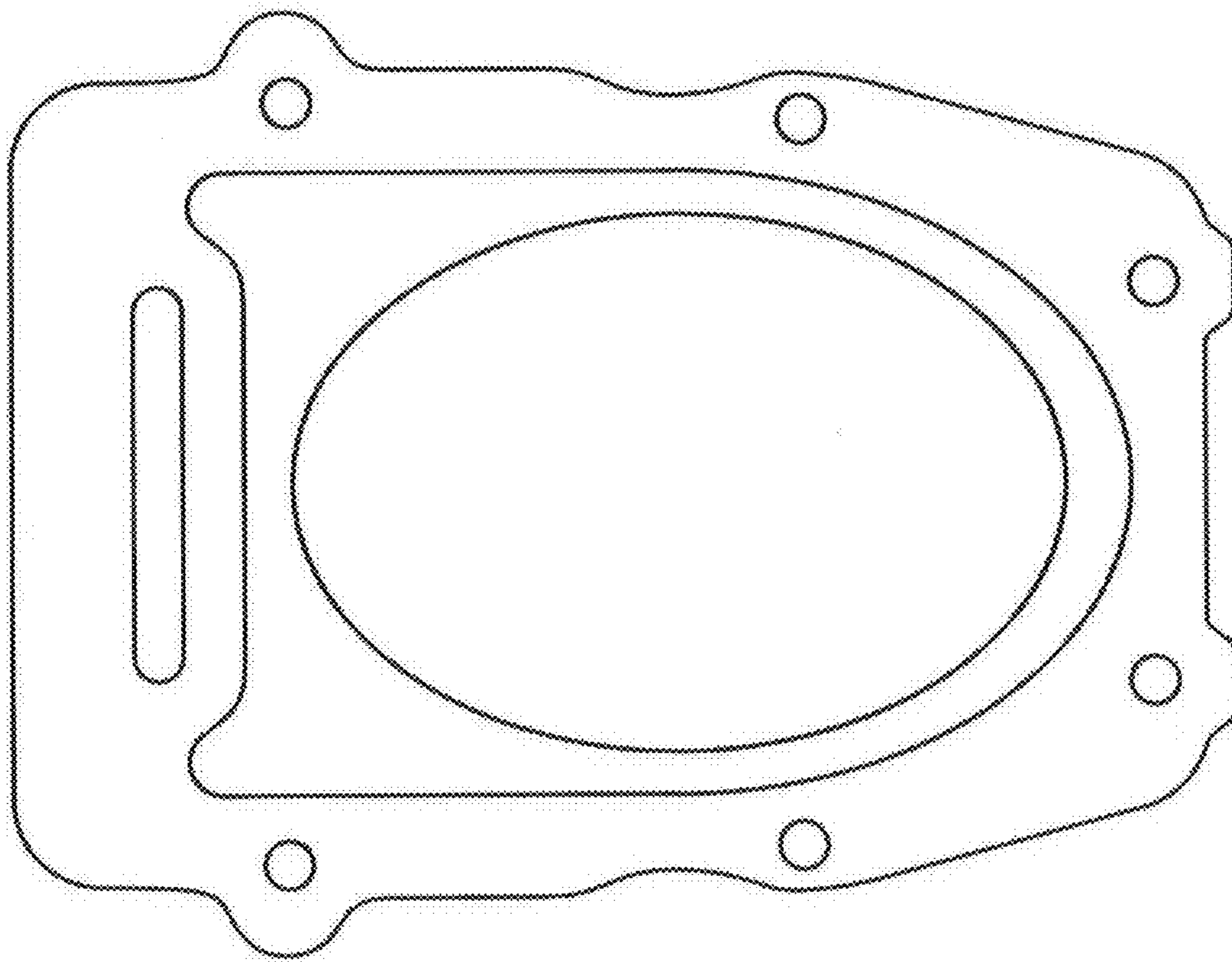


FIG. 2

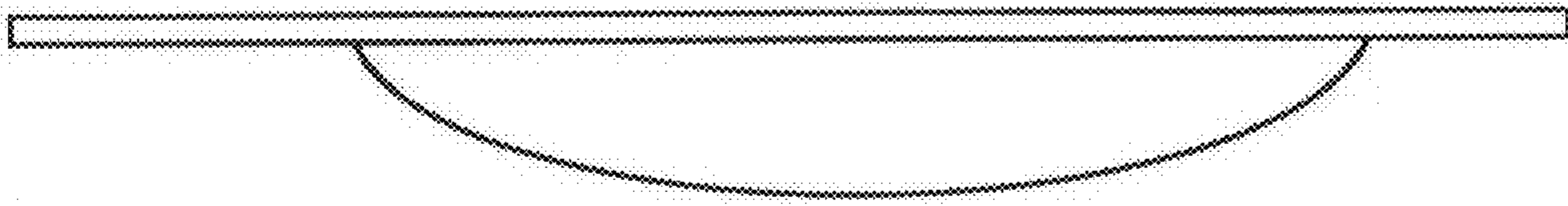


FIG. 3

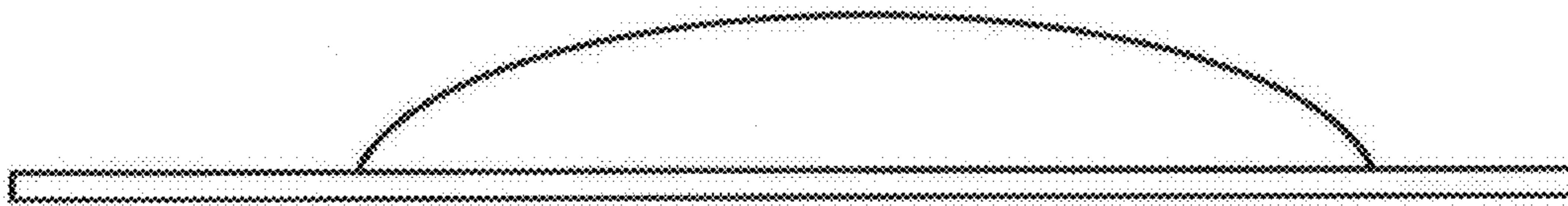


FIG. 4

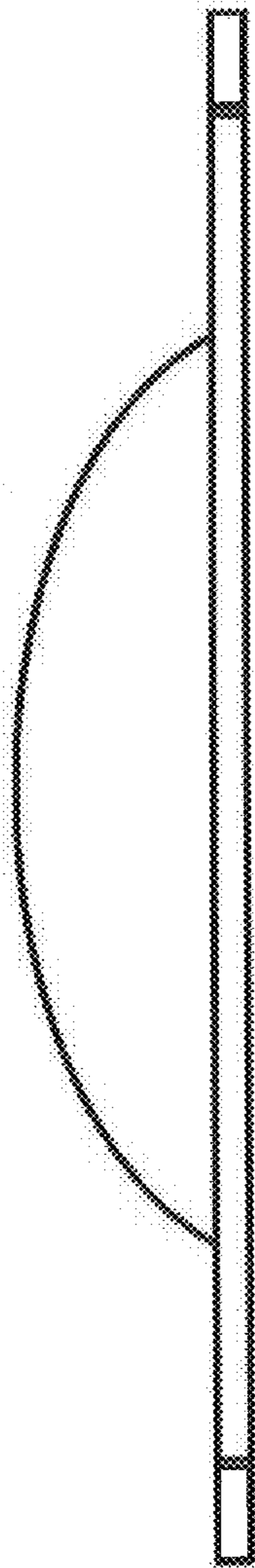


FIG. 5

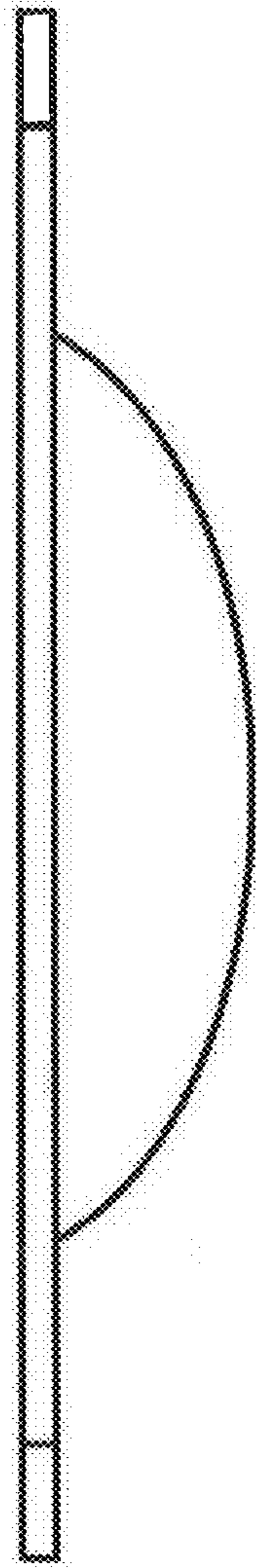


FIG. 6

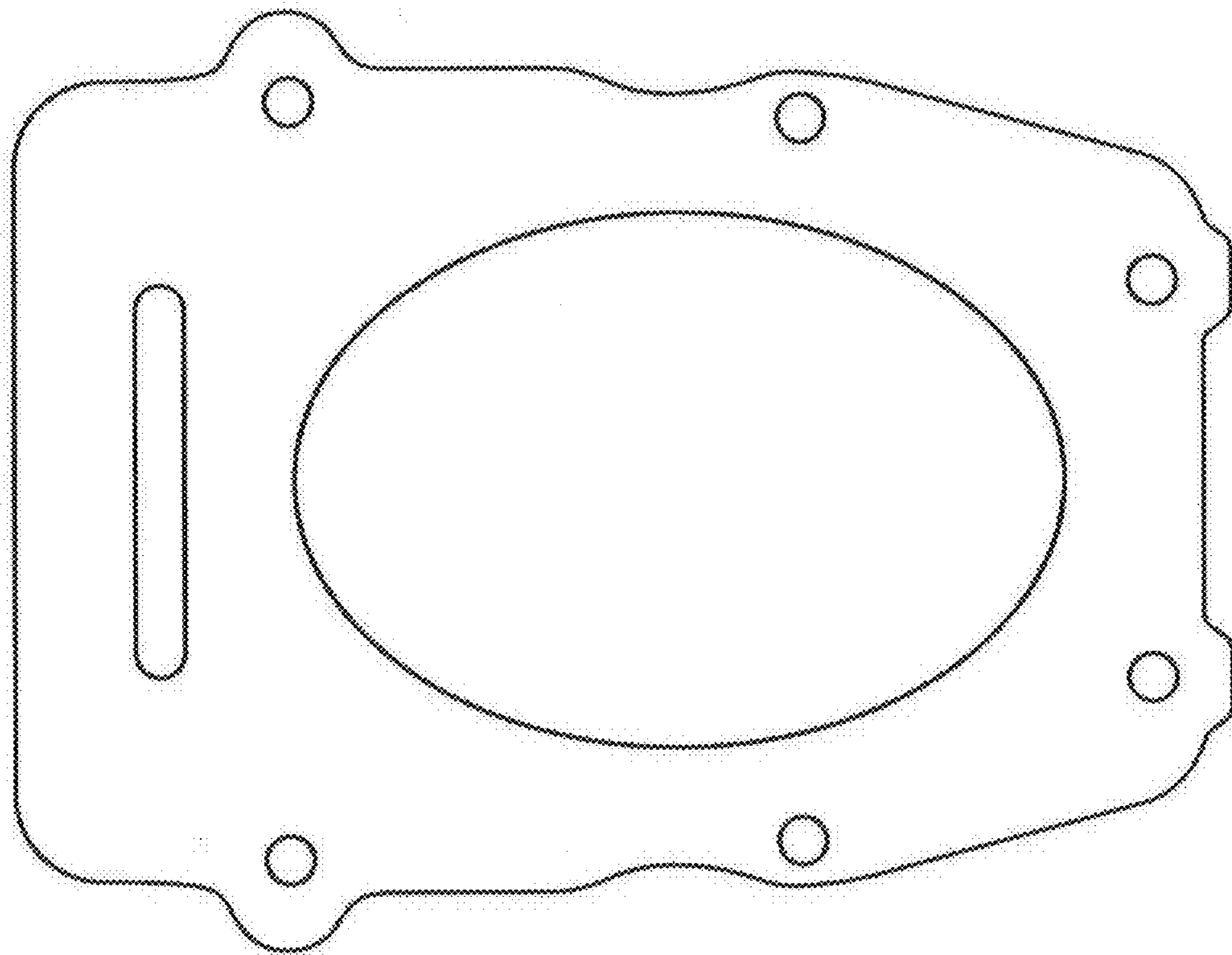


FIG. 7

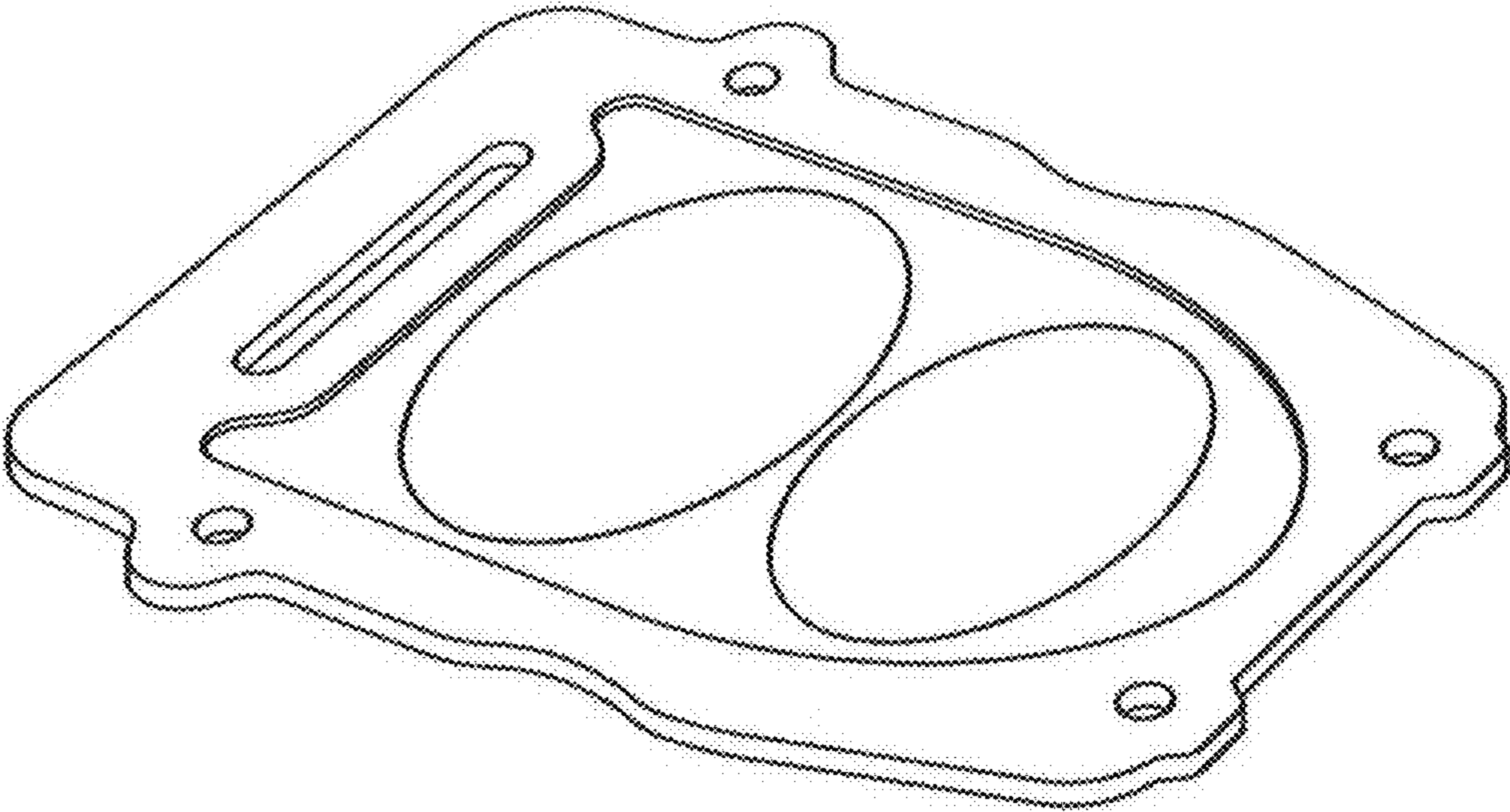


FIG. 8

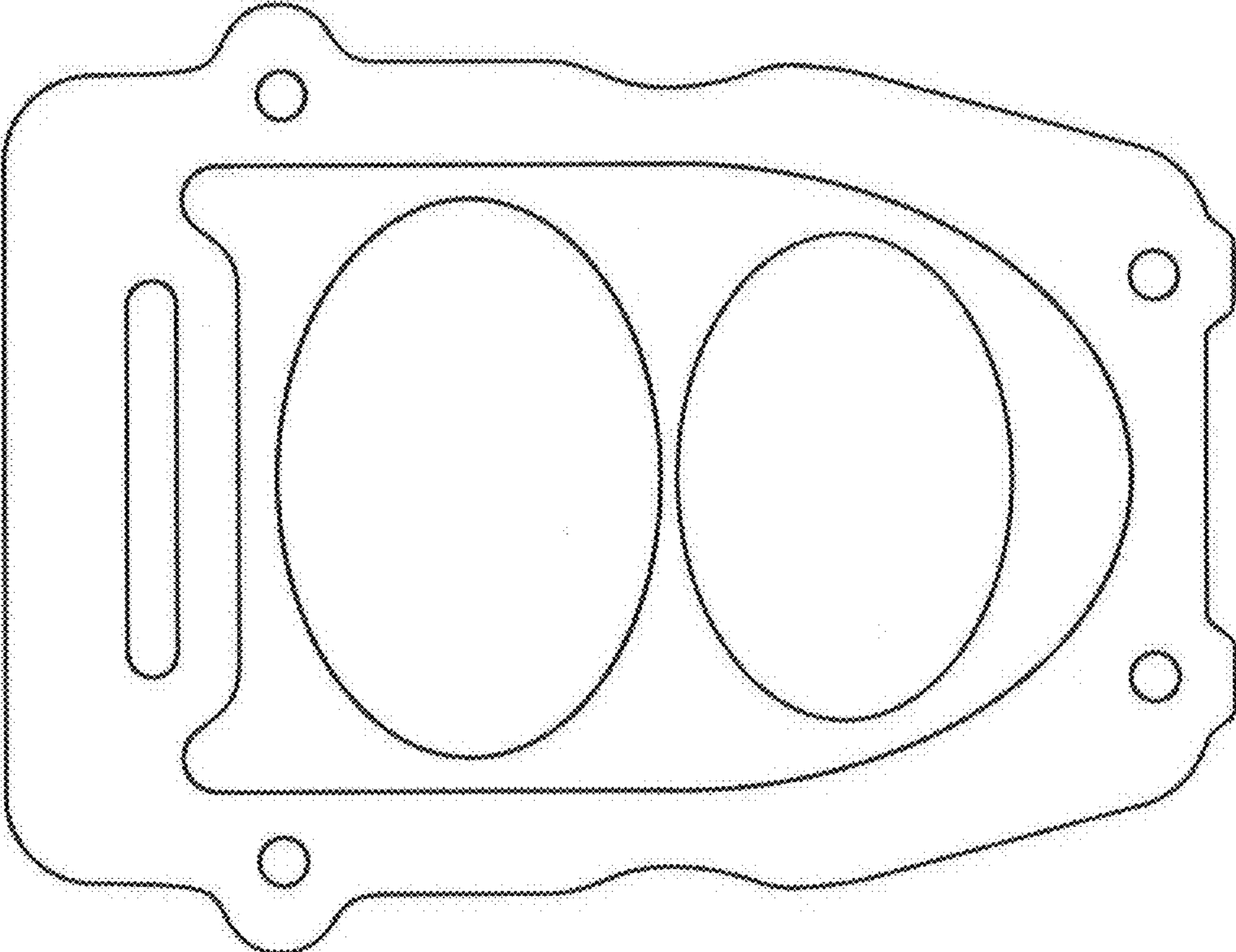


FIG. 9

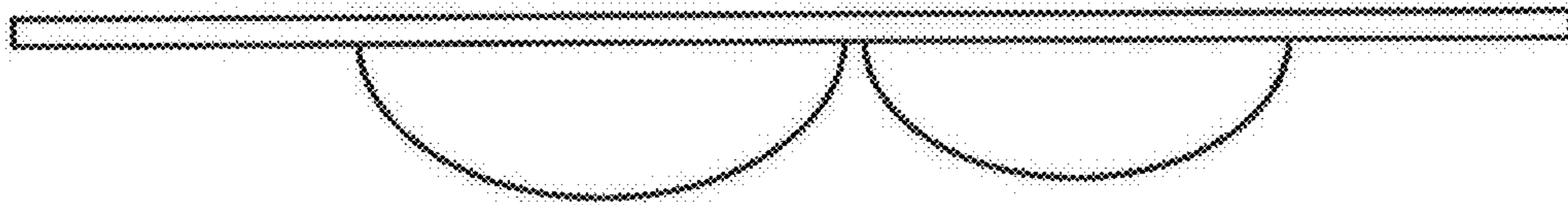


FIG. 10

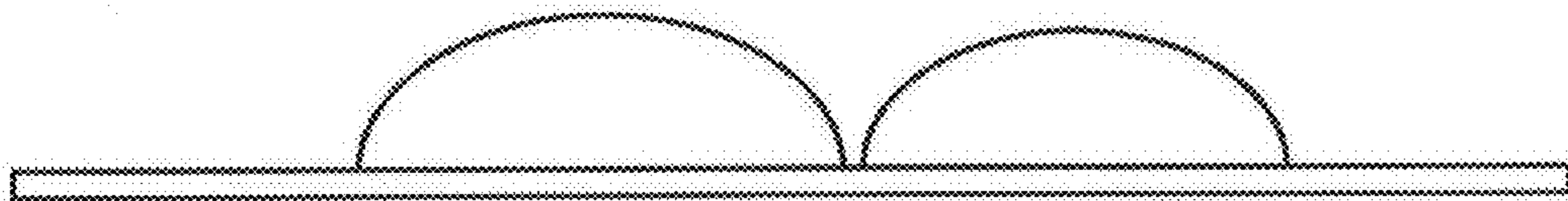


FIG. 11

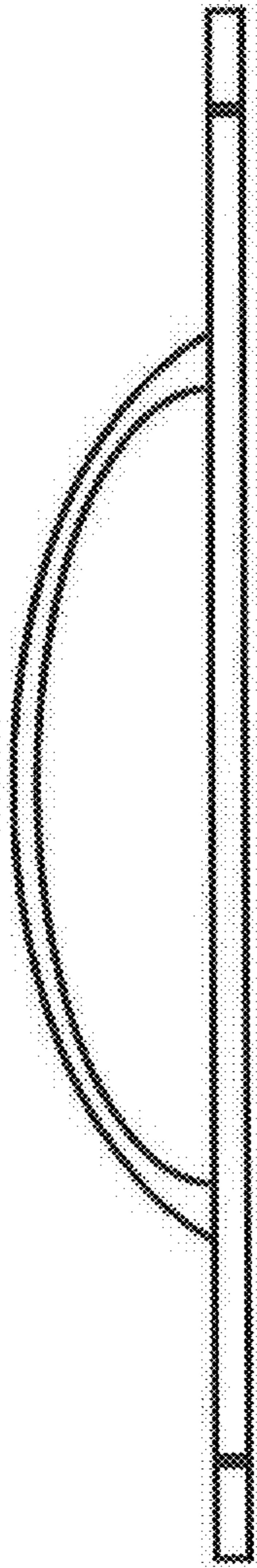


FIG. 12

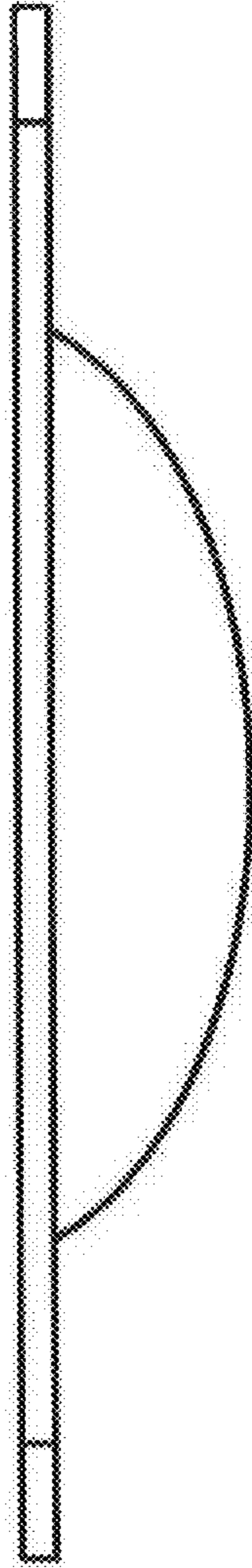


FIG. 13

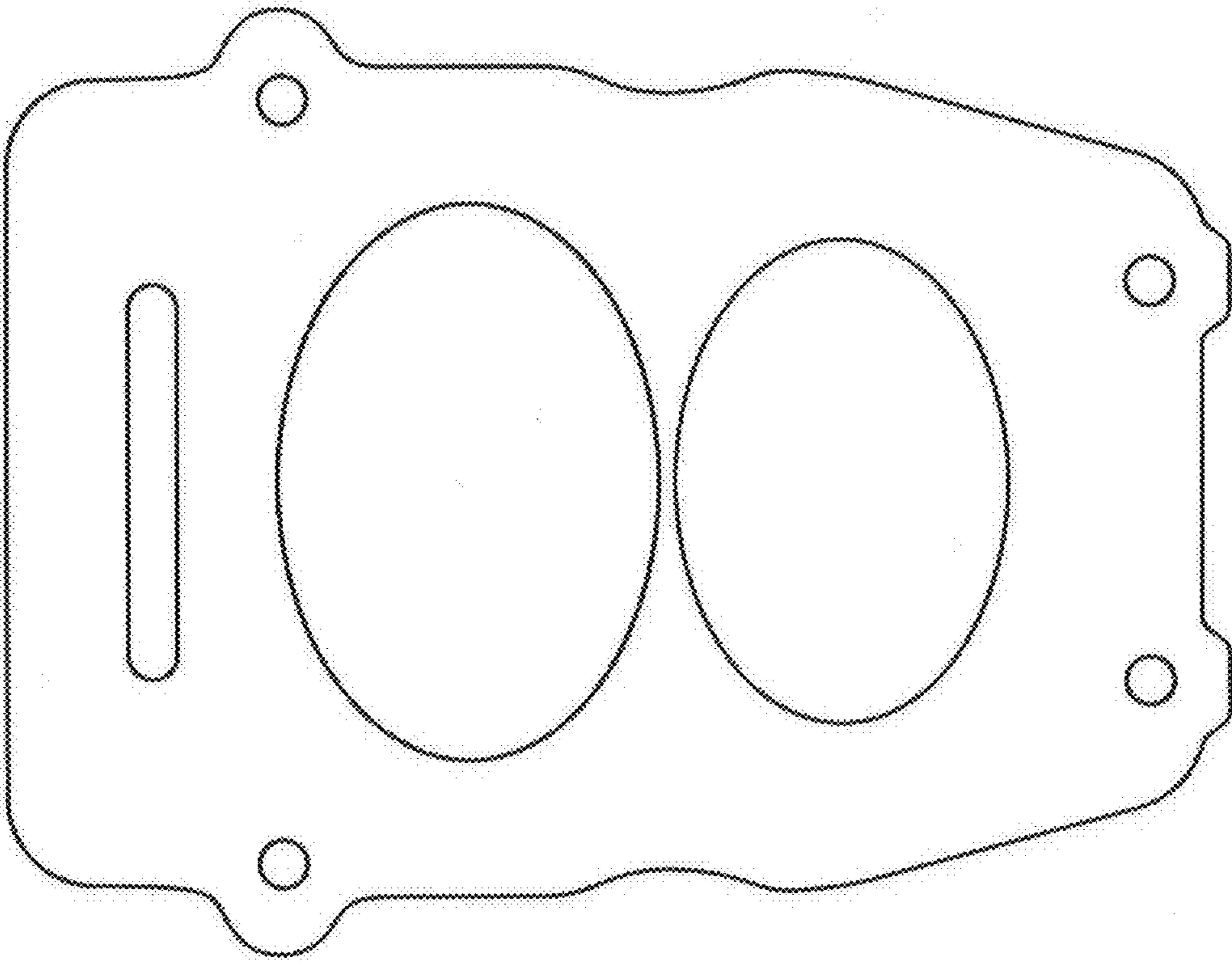


FIG. 14