

US00D761080S

(12) **United States Design Patent**
Nawaz

(10) **Patent No.:** **US D761,080 S**
(45) **Date of Patent:** **** Jul. 12, 2016**

(54) **IMAGE LOCK PADLOCK**

(71) Applicant: **Ali Nawaz**, Sunnyside, NY (US)

(72) Inventor: **Ali Nawaz**, Sunnyside, NY (US)

(**) Term: **14 Years**

(21) Appl. No.: **29/525,605**

(22) Filed: **Apr. 30, 2015**

(51) **LOC (10) CL.** **08-07**

(52) **U.S. CL.**
USPC **D8/334; D8/343**

(58) **Field of Classification Search**
USPC D8/300–302, 350, 330, 331, 343, 346,
D8/334; 70/14, 158, 160, 452, 448, 466;
292/348, 350, 357
CPC E05B 1/0007; E05B 9/00; E05B 17/00
See application file for complete search history.

(56) **References Cited**

U.S. PATENT DOCUMENTS

- 2,378,768 A * 6/1945 Heyer E05B 37/10
70/21
- 3,263,463 A * 8/1966 Duval E05B 17/186
70/452
- 3,952,559 A * 4/1976 Atkinson E05B 37/0034
70/25
- 4,462,231 A * 7/1984 Zabel E05B 37/10

- D418,392 S * 1/2000 Kelley D8/334
70/21
- D473,446 S * 4/2003 Quan D8/334
- D594,311 S * 6/2009 Stevens D8/331
- D634,181 S * 3/2011 Kang D8/330
- D649,012 S * 11/2011 Gartner D8/334
- D696,926 S * 1/2014 Kempainen D8/334
- D743,774 S * 11/2015 Nawaz D8/334

* cited by examiner

Primary Examiner — Prabhakar Deshmukh

(57) **CLAIM**

The ornamental design for an image lock padlock, as shown and described.

DESCRIPTION

FIG. 1 is a top plan view of an image lock padlock showing my new design;
 FIG. 2 is a left side elevational view thereof;
 FIG. 3 is a front elevational view thereof;
 FIG. 4 is a rear elevational view thereof;
 FIG. 5 is a right side elevational view thereof;
 FIG. 6 is a bottom plan view thereof;
 FIG. 7 is a perspective view thereof; and,
 FIG. 8 is a bottom perspective view thereof.
 The broken line showing a knob and keyhole is included for the purpose of illustrating environmental structure and forms no part of the claimed design.

1 Claim, 8 Drawing Sheets

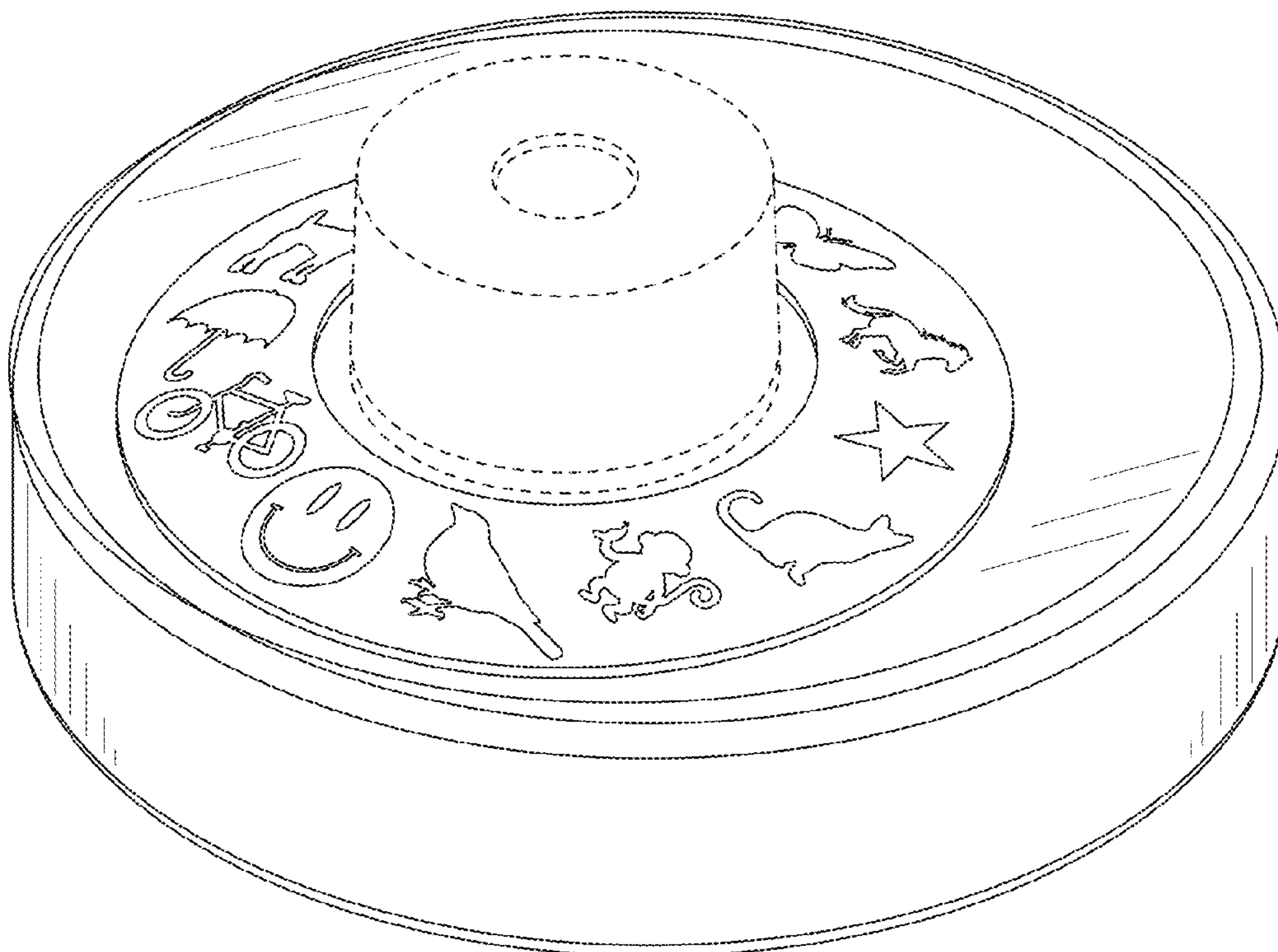




FIG. 1

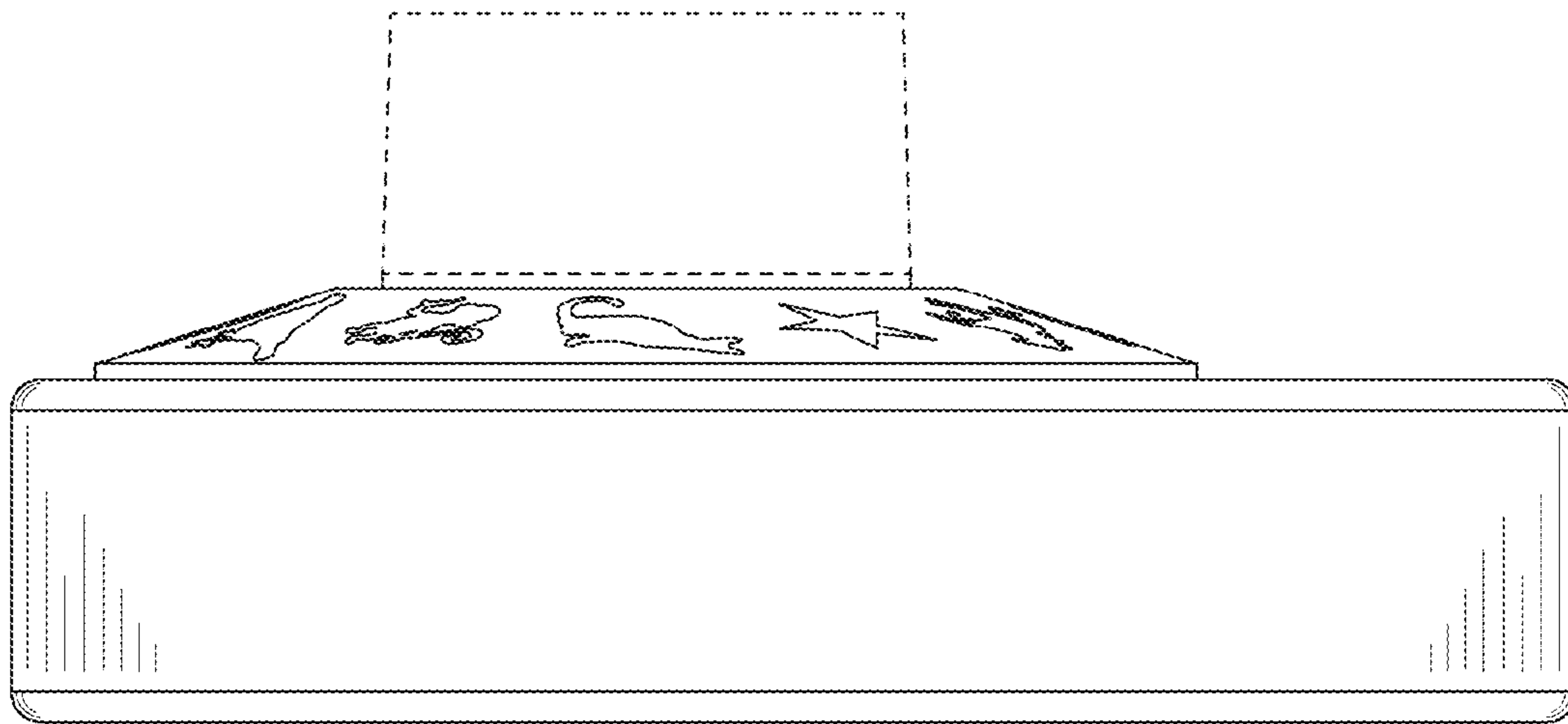


FIG. 2

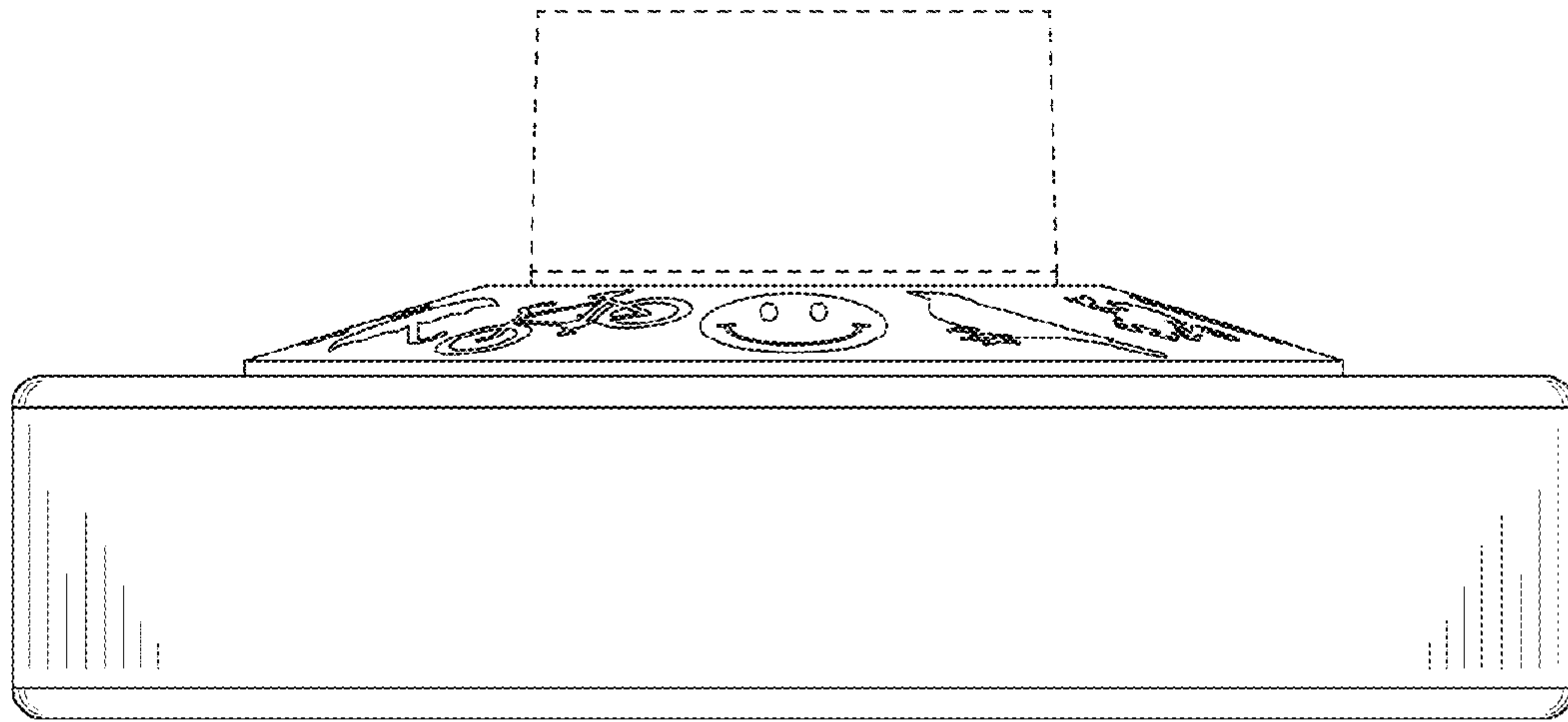


FIG. 3

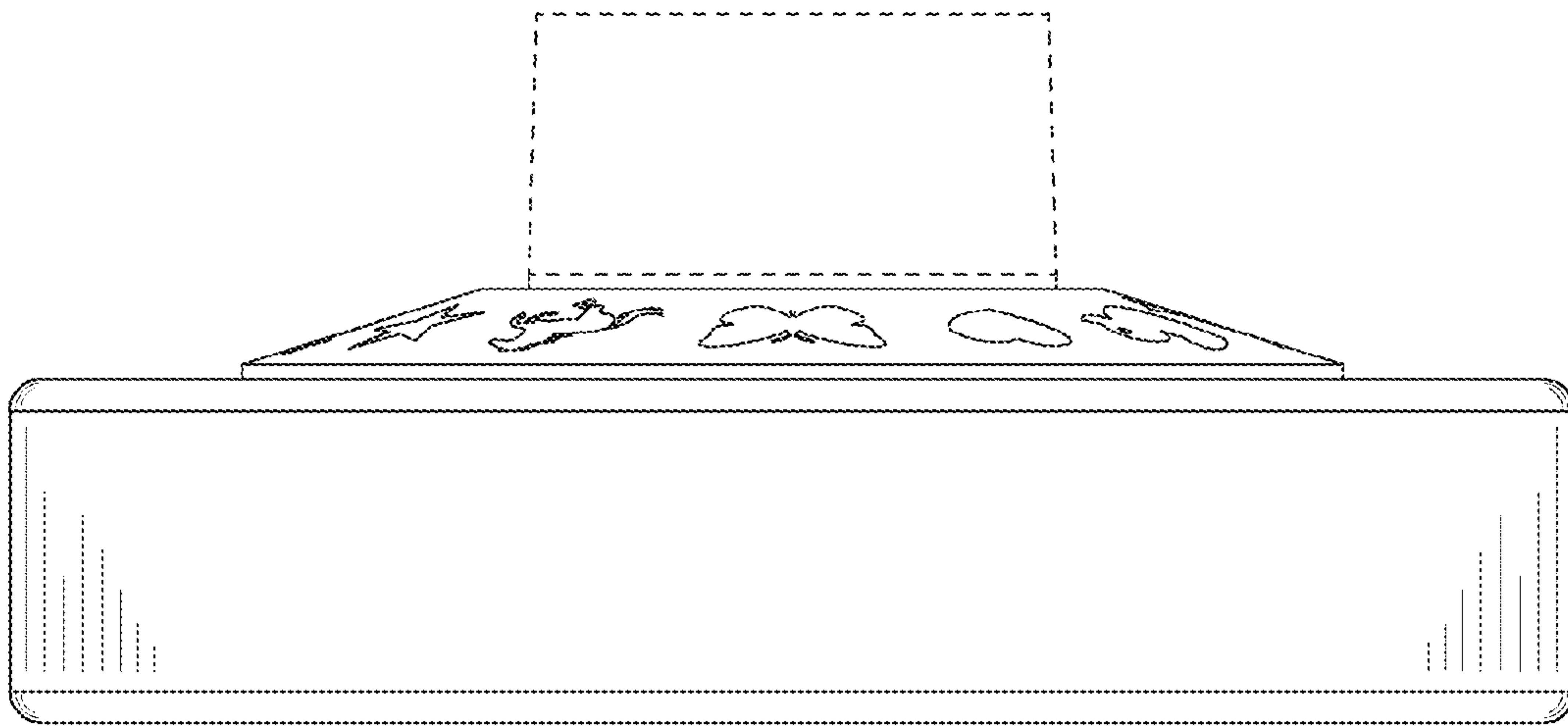


FIG. 4

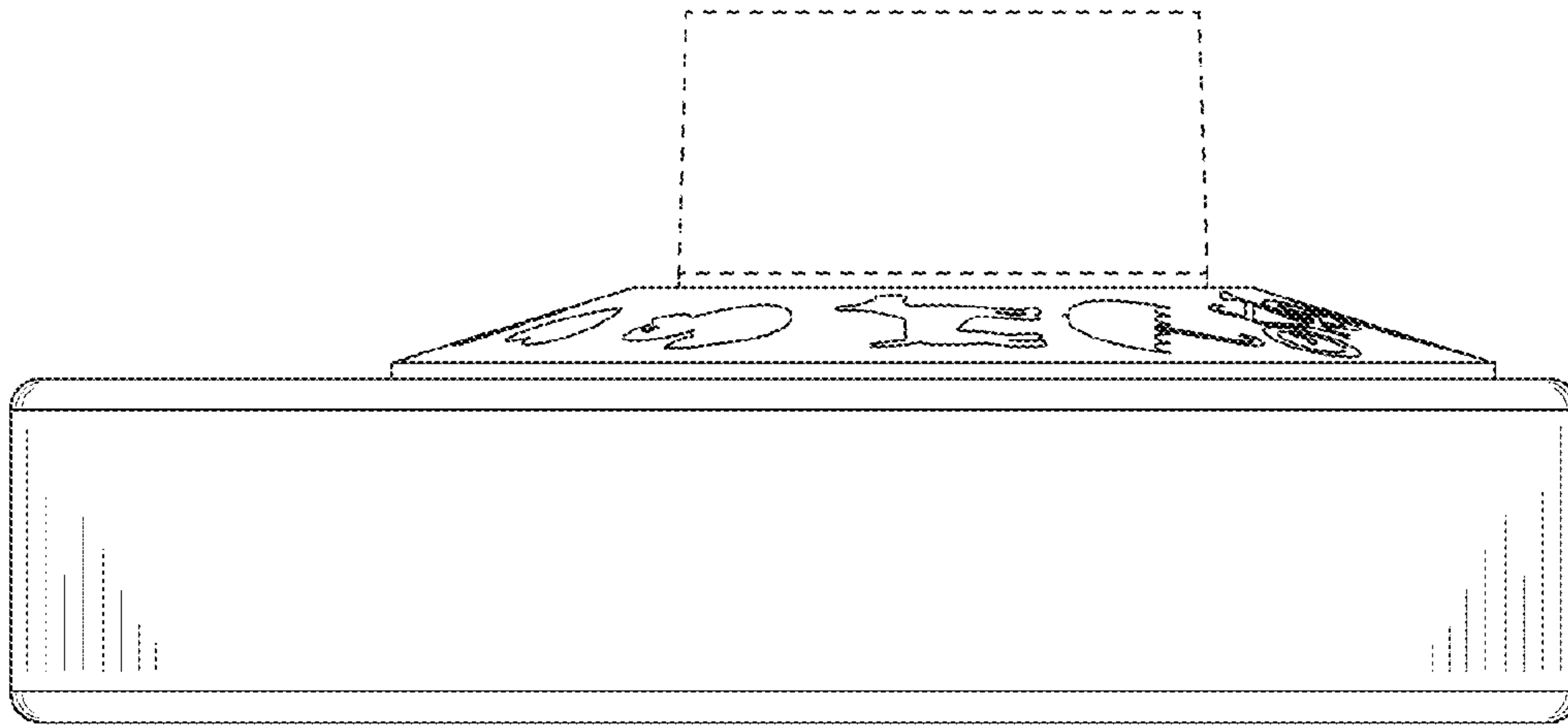


FIG. 5

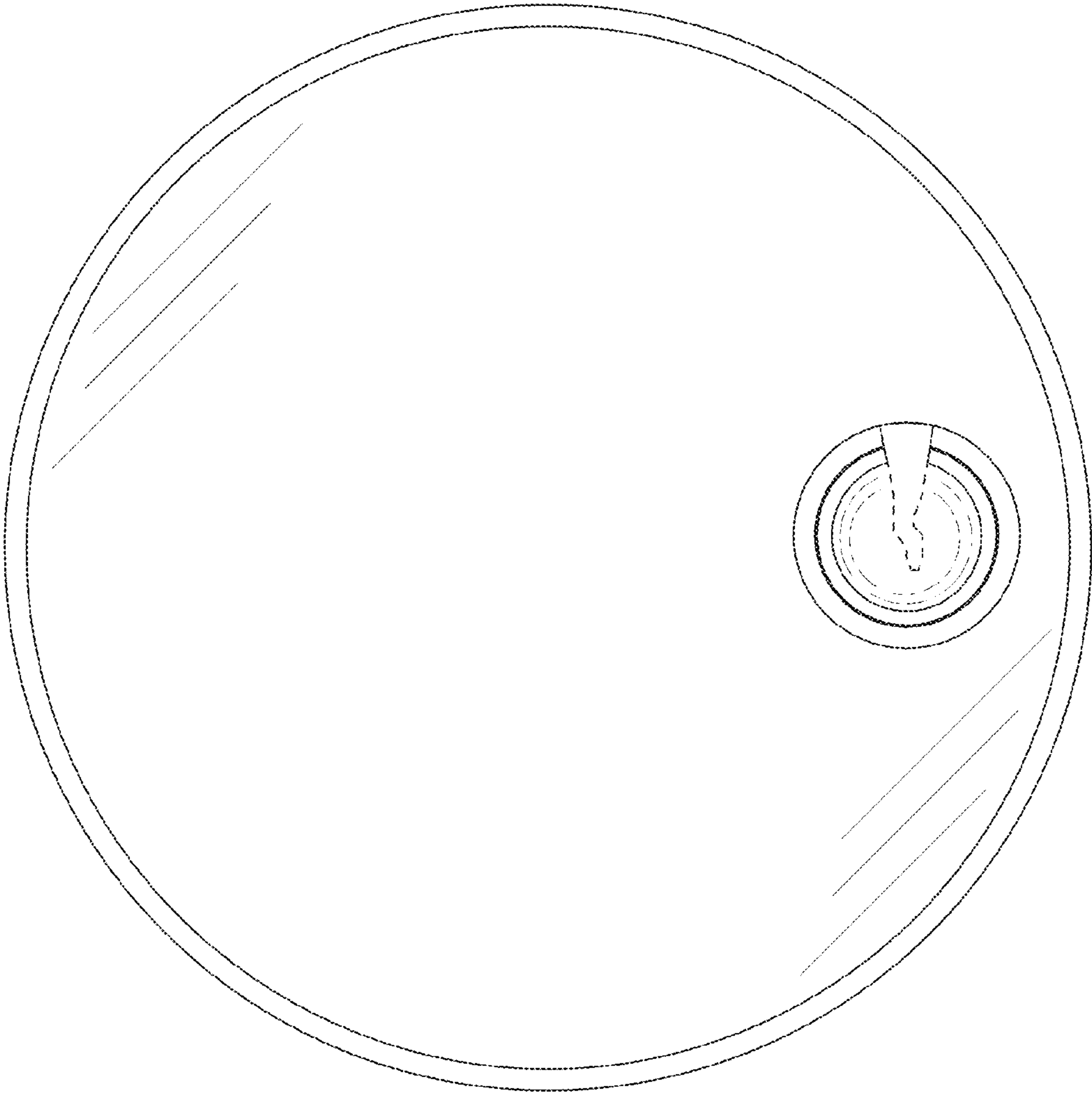


FIG. 6

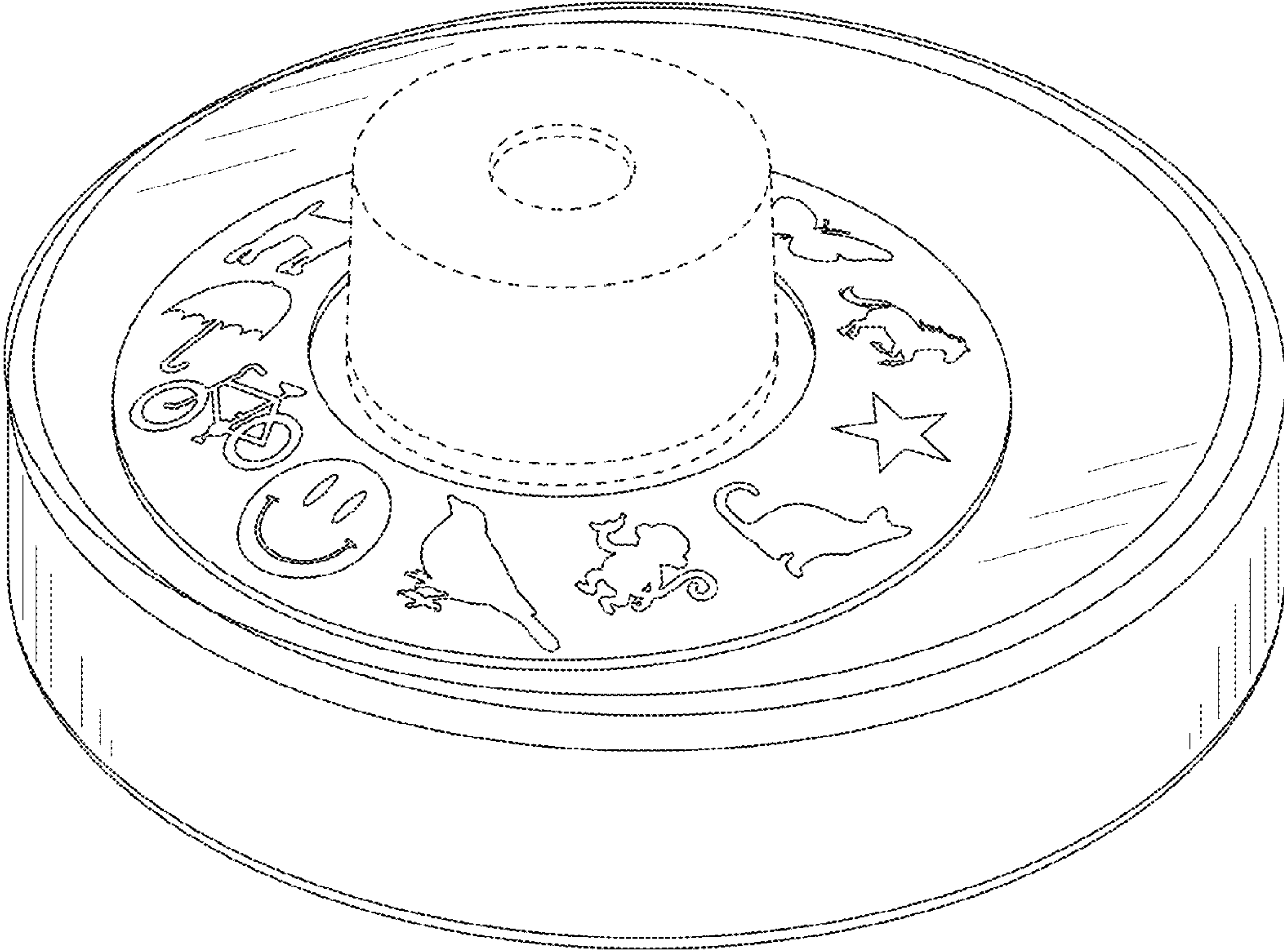


FIG. 7

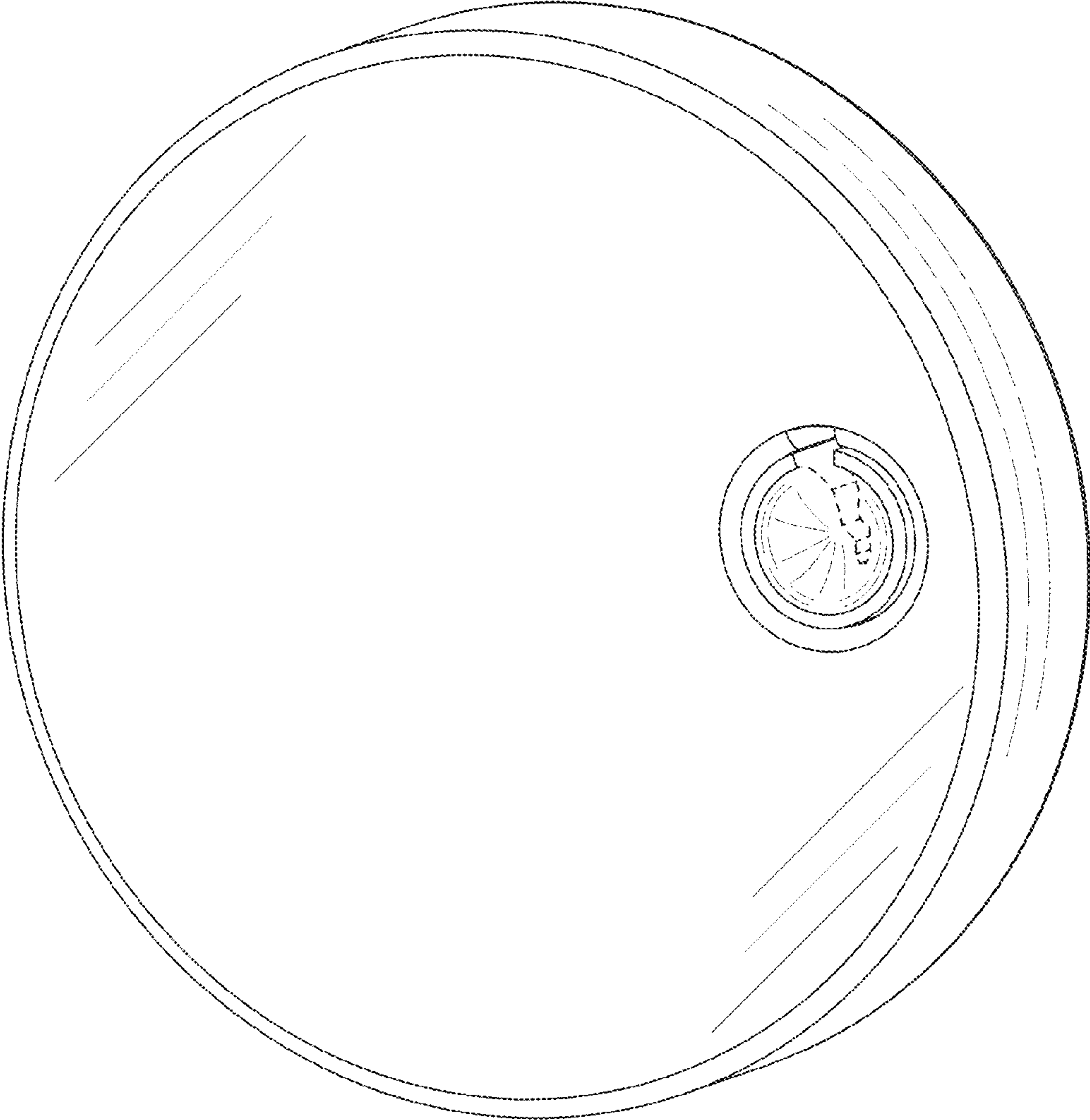


FIG. 8