



US00D761078S

(12) **United States Design Patent**
Schweiss

(10) **Patent No.:** **US D761,078 S**
(45) **Date of Patent:** **** Jul. 12, 2016**

- (54) **HINGE**
- (71) Applicant: **Michael L. Schweiss**, Fairfax, MN (US)
- (72) Inventor: **Michael L. Schweiss**, Fairfax, MN (US)
- (73) Assignee: **SORREL QUARTERS, LLC**, Fairfax, MN (US)
- (**) Term: **15 Years**
- (21) Appl. No.: **29/505,169**
- (22) Filed: **Jun. 30, 2015**
- (51) **LOC (10) Cl.** **08-06**
- (52) **U.S. Cl.**
USPC **D8/323**
- (58) **Field of Classification Search**
USPC 248/301, 302, 303, 304, 339; 24/132 R;
D6/325; D8/367, 323, 354, 380, 349;
D12/223
CPC A47G 1/00; F16B 2/00; A63B 27/00
See application file for complete search history.

- D611,886 S * 3/2010 Peschmann D12/223
- D611,887 S * 3/2010 Peschmann D12/223
- D619,879 S * 7/2010 McCarthy D8/354
- D631,734 S * 2/2011 Fernandez D8/380
- D637,060 S * 5/2011 Mitchell D8/323
- 8,020,253 B1 * 9/2011 Finkelstein E05D 7/0423
16/250

(Continued)

Primary Examiner — Cynthia Underwood
(74) *Attorney, Agent, or Firm* — Richard John Bartz

(57) **CLAIM**
The ornamental design of a hinge assembly, as shown and described.

DESCRIPTION

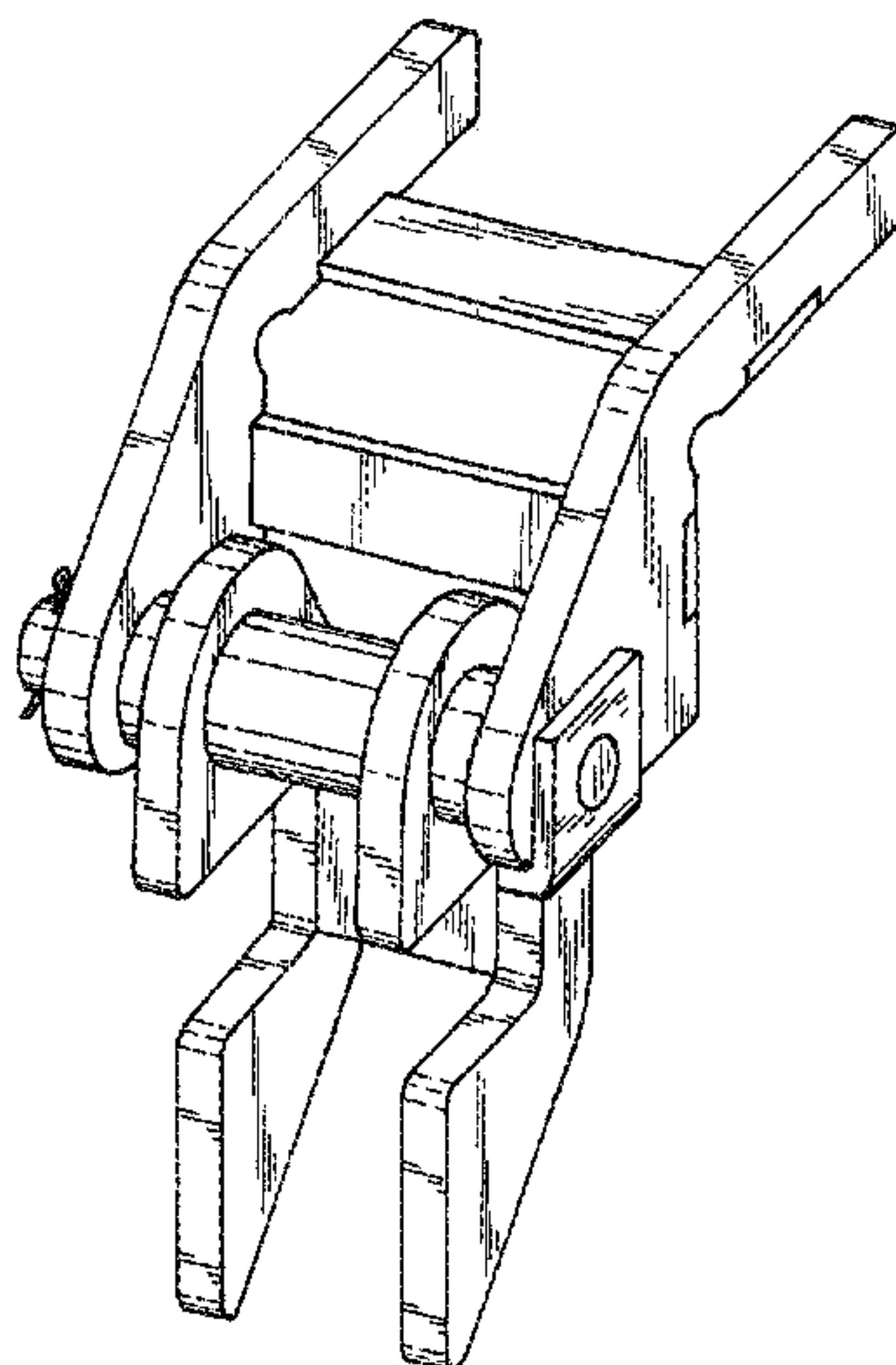
FIG. 1 is a perspective view of the hinge assembly of my design;
 FIG. 2 is a side elevational view of the right side thereof;
 FIG. 3 is a side elevational view of the left side thereof;
 FIG. 4 is a front elevational view thereof;
 FIG. 5 is a rear elevational view thereof;
 FIG. 6 is a top plan view thereof;
 FIG. 7 is a bottom plan view thereof;
 FIG. 8 is a perspective view of the hinge assembly on a door and a door frame;
 FIG. 9 is a perspective view of the top member of the hinge assembly of FIG. 1 shown separated from the bottom member;
 FIG. 10 is a front elevational view of FIG. 9;
 FIG. 11 is a rear elevational view of FIG. 9;
 FIG. 12 is a top plan view of FIG. 9;
 FIG. 13 is a bottom plan view of FIG. 9;
 FIG. 14 is a side elevational view of the right side of FIG. 9;
 and,
 FIG. 15 is a side elevational view of the left side of FIG. 9.
 The broken lines in the drawings depict environmental subject matter/or parts of the hinge only and form no part of the claimed design.

(56) **References Cited**

U.S. PATENT DOCUMENTS

4,295,514	A	10/1981	Johnson	
4,637,446	A	1/1987	McQueen et al.	
D289,605	S *	5/1987	Lytle	D8/381
5,343,923	A	9/1994	Keller	
D383,430	S *	9/1997	Jeffries	D12/223
D437,282	S *	2/2001	Joll	D12/223
6,199,617	B1	3/2001	Schweiss	
D478,801	S *	8/2003	Spruill	D8/354
D500,441	S *	1/2005	Senn	D8/323
6,866,080	B2	3/2005	Schweiss	
6,883,273	B2	4/2005	Kerkvliet	
7,007,905	B2 *	3/2006	Roberts	A47B 96/061 108/108
7,219,711	B2	5/2007	Keller et al.	
D548,051	S *	8/2007	Ruppert	D8/354
D568,728	S *	5/2008	Zadak	D8/380
D610,434	S *	2/2010	Watts	D8/349

1 Claim, 10 Drawing Sheets



US D761,078 S

Page 2

(56)

References Cited

U.S. PATENT DOCUMENTS

D658,031 S * 4/2012 Mitchell D8/323
D695,593 S * 12/2013 Nunez Farfan D8/354
D698,628 S * 2/2014 Stanley D8/367

D728,348 S * 5/2015 Munson D8/354
D748,966 S * 2/2016 Morinaga D8/323
D749,394 S * 2/2016 Morinaga D8/323
2011/0225895 A1 9/2011 Peterson

* cited by examiner

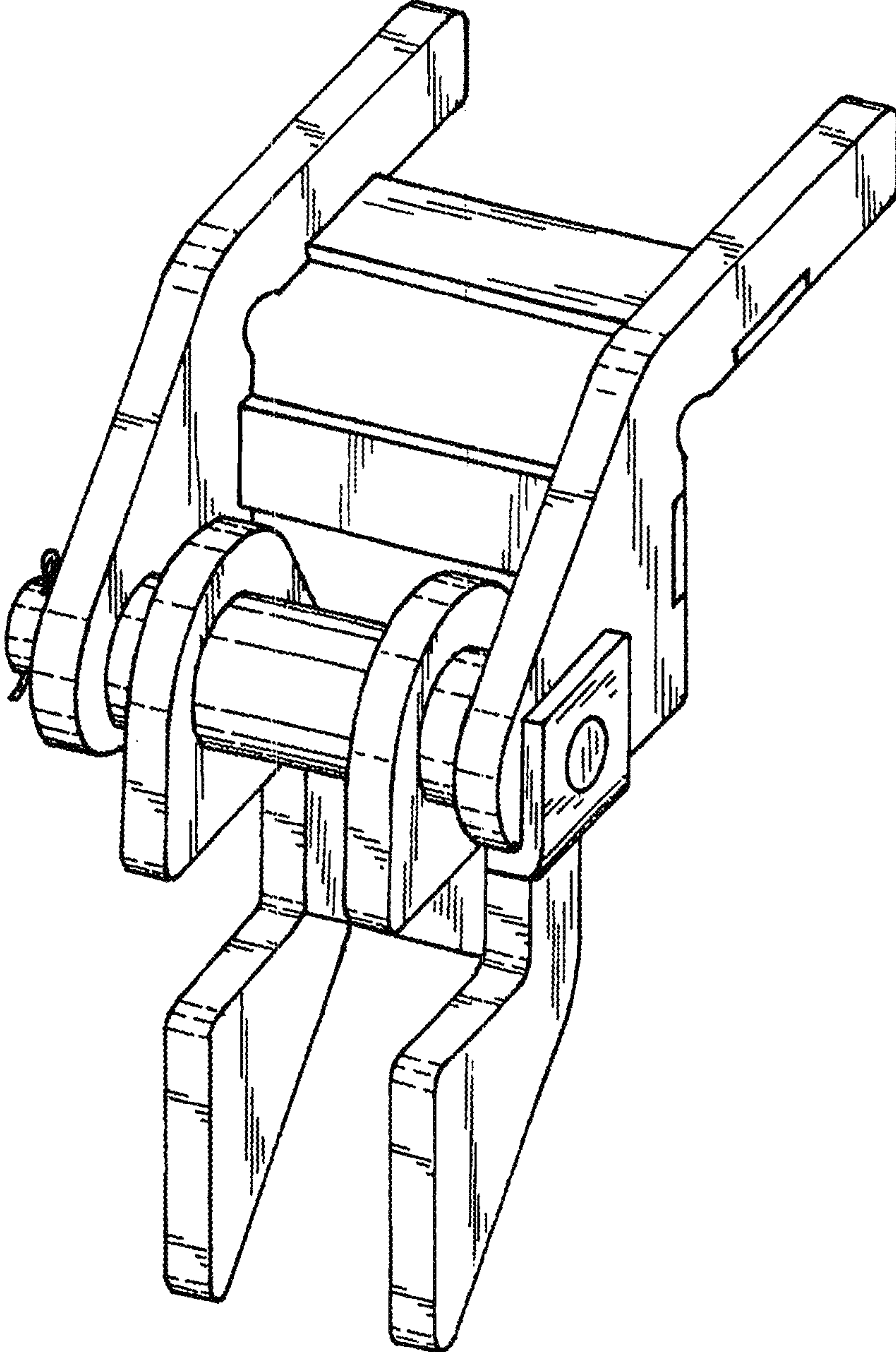


FIG.1

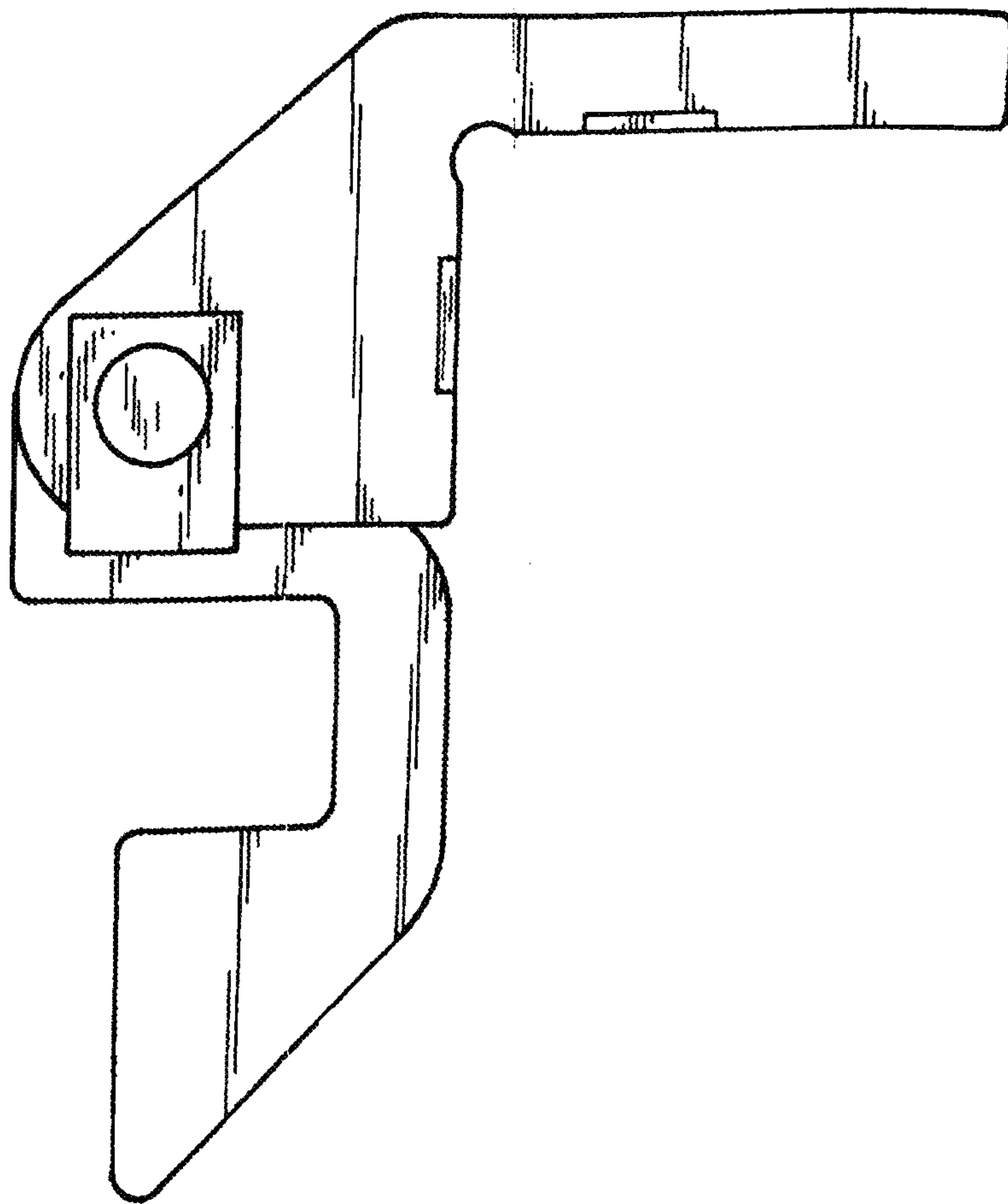


FIG.2

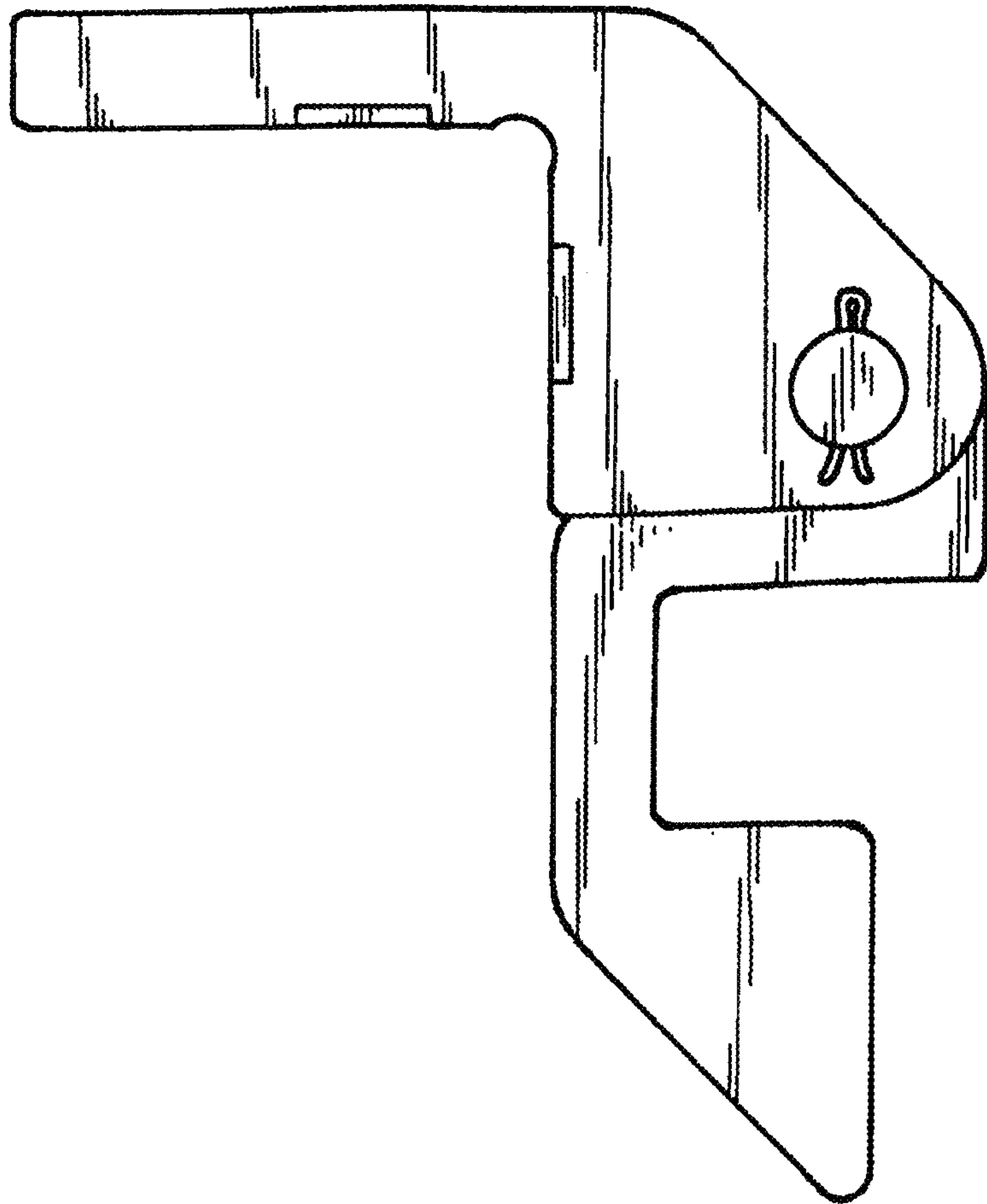


FIG.3

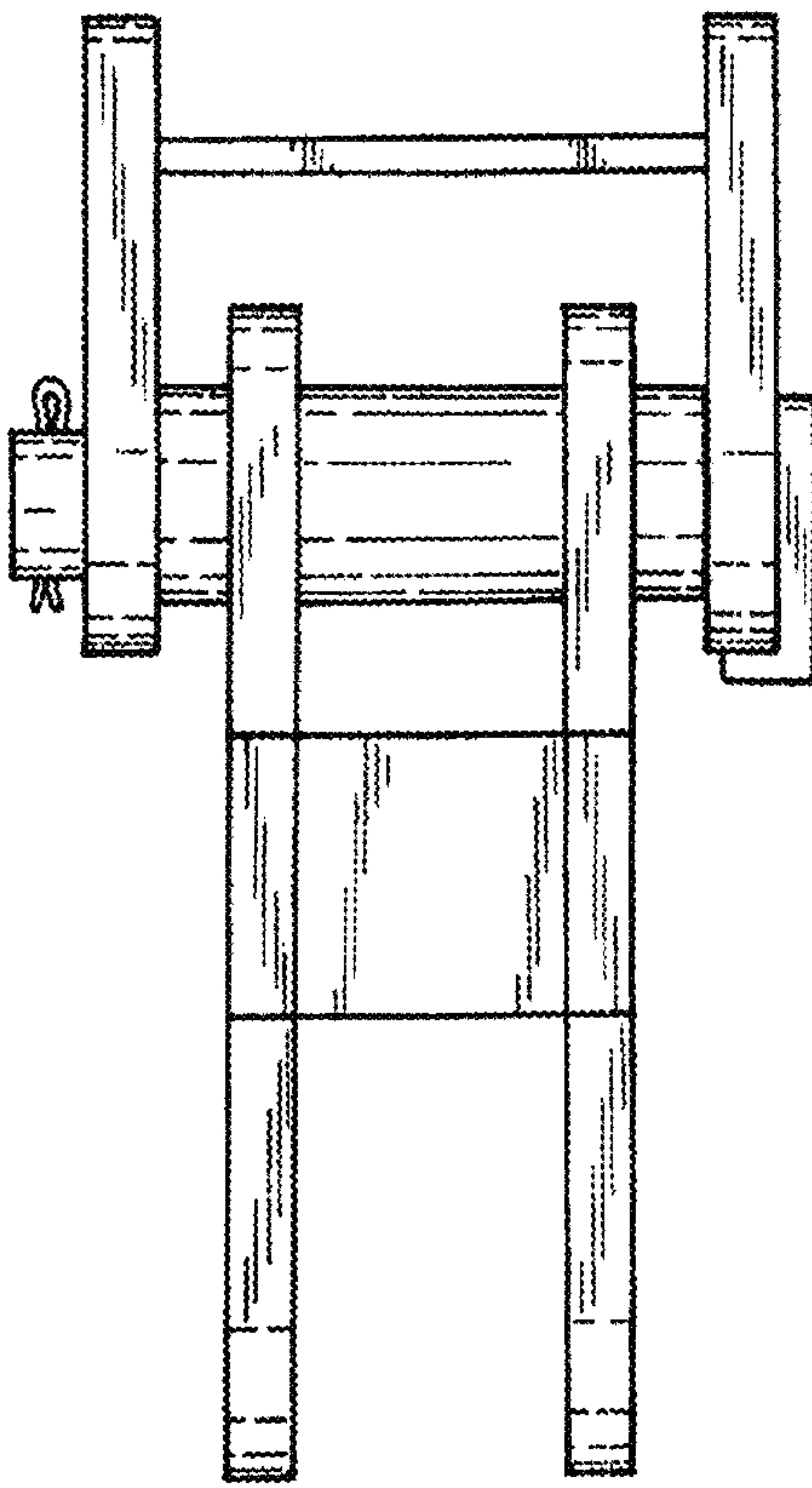


FIG. 4

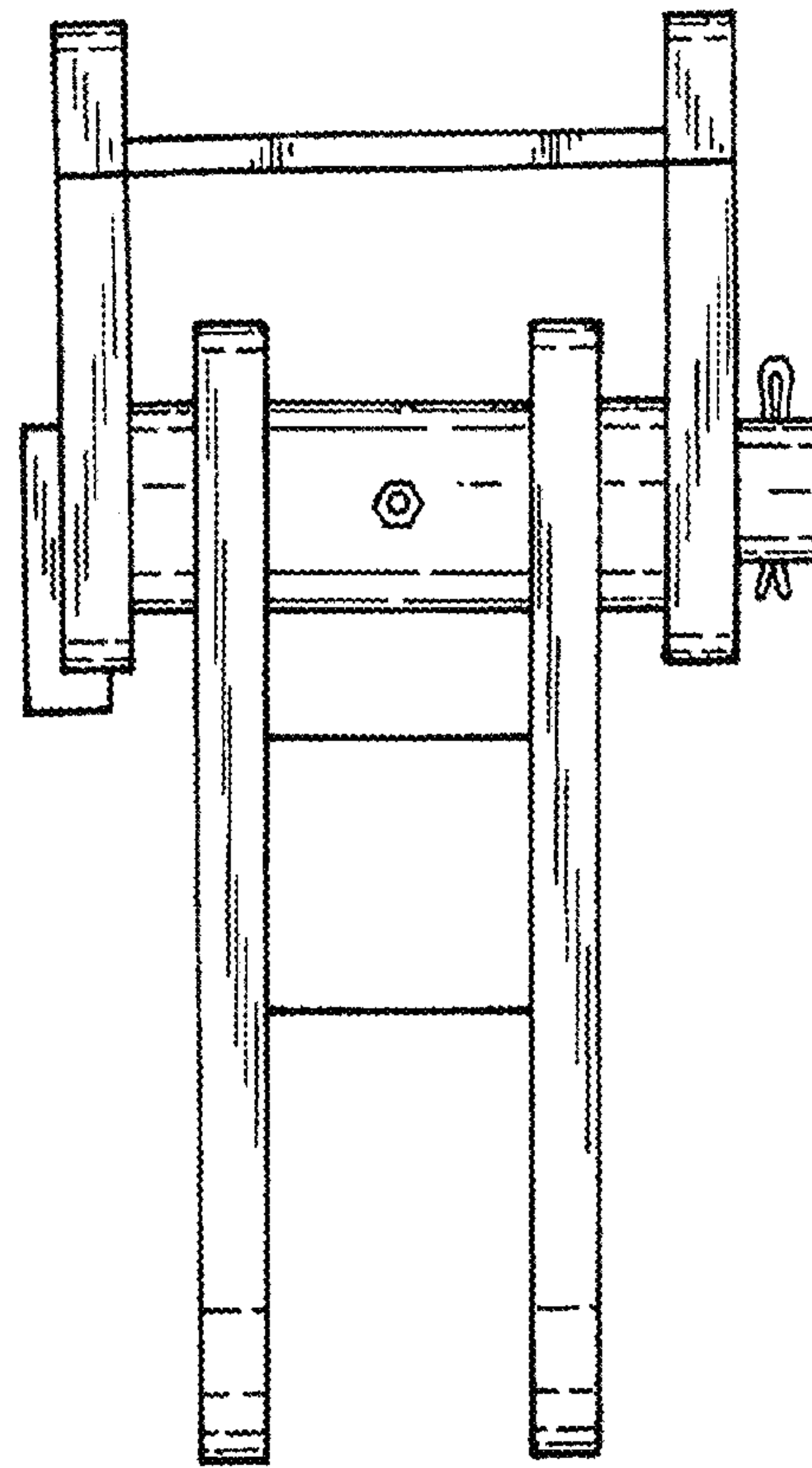


FIG. 5

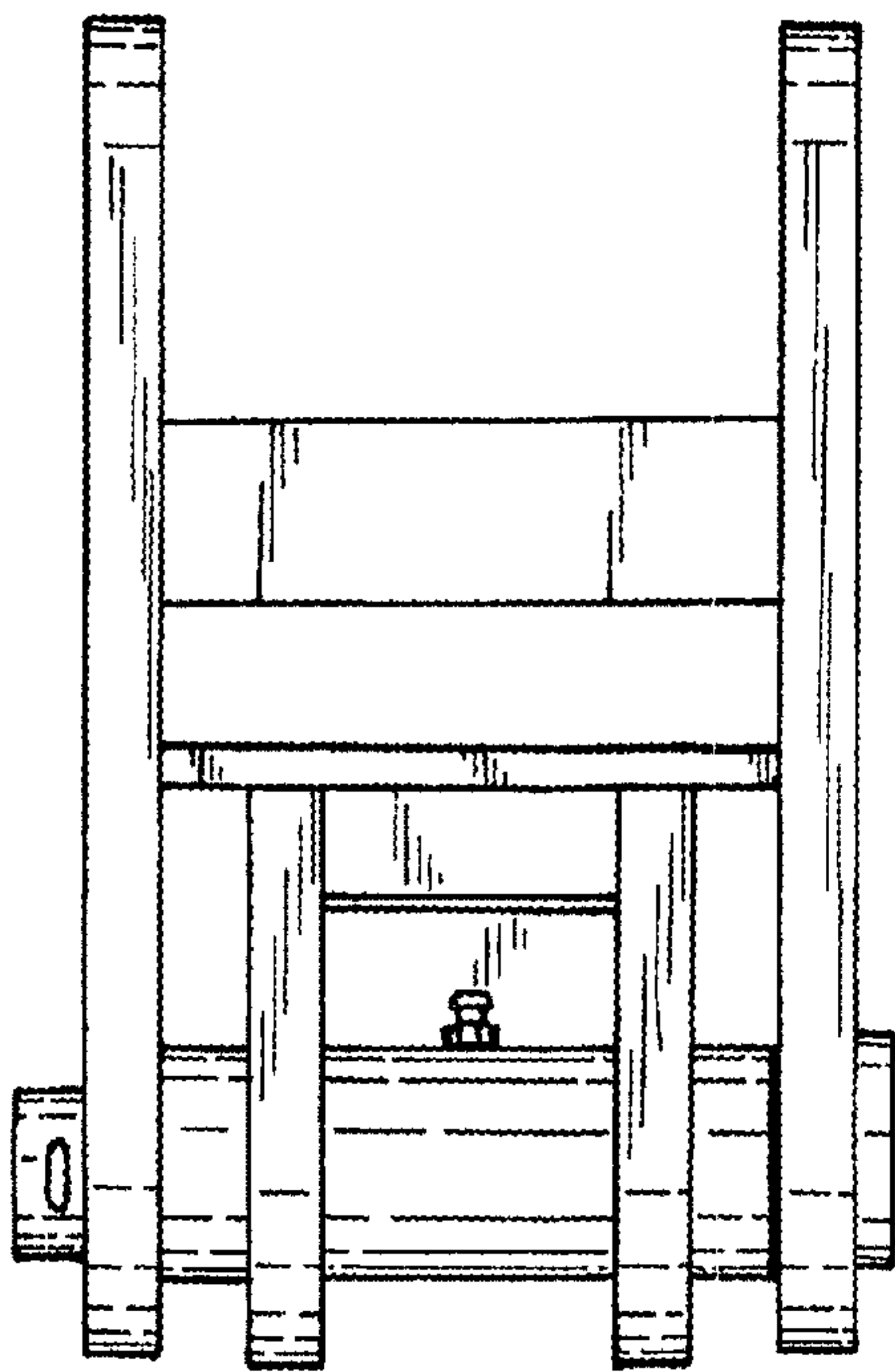


FIG. 6

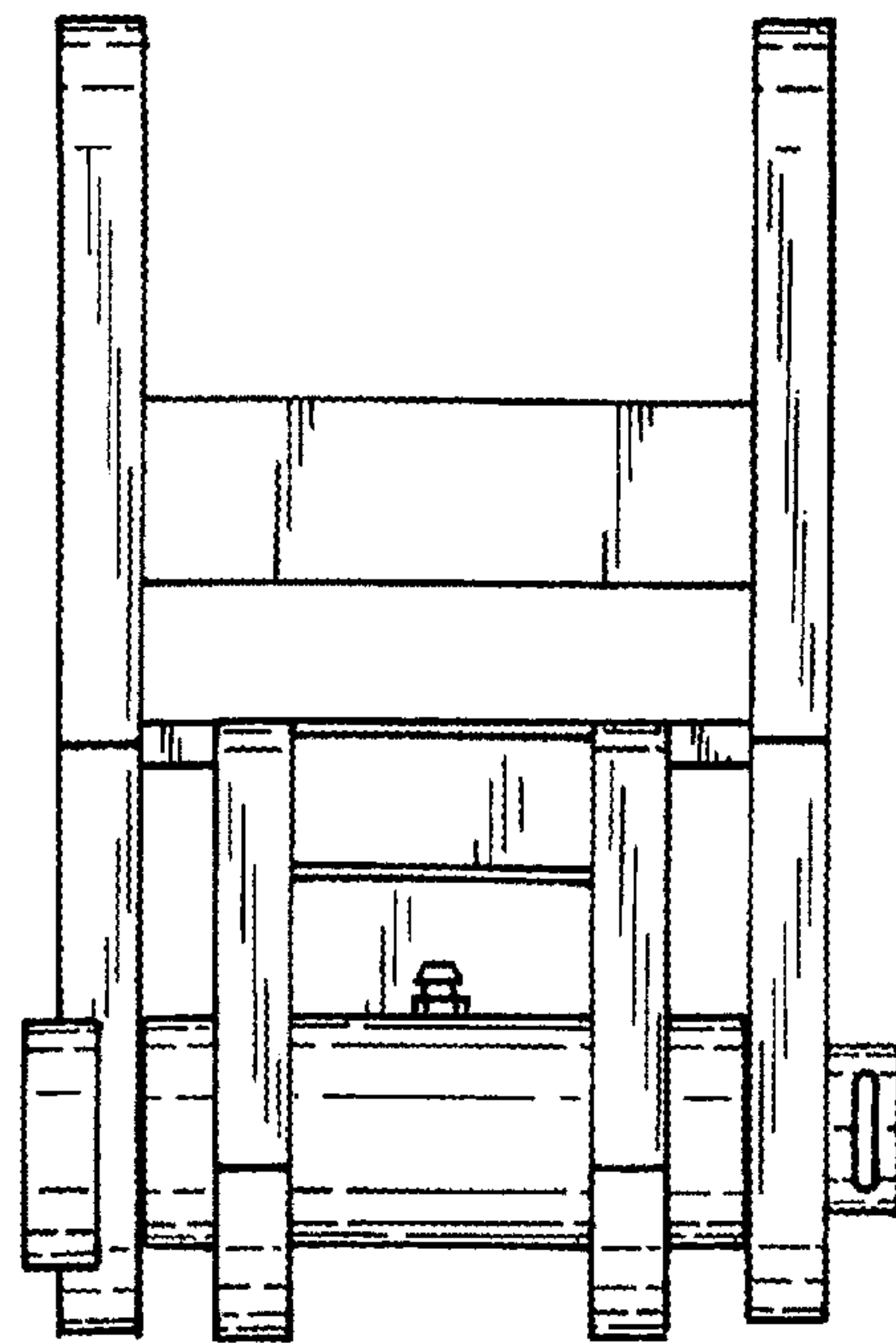


FIG. 7

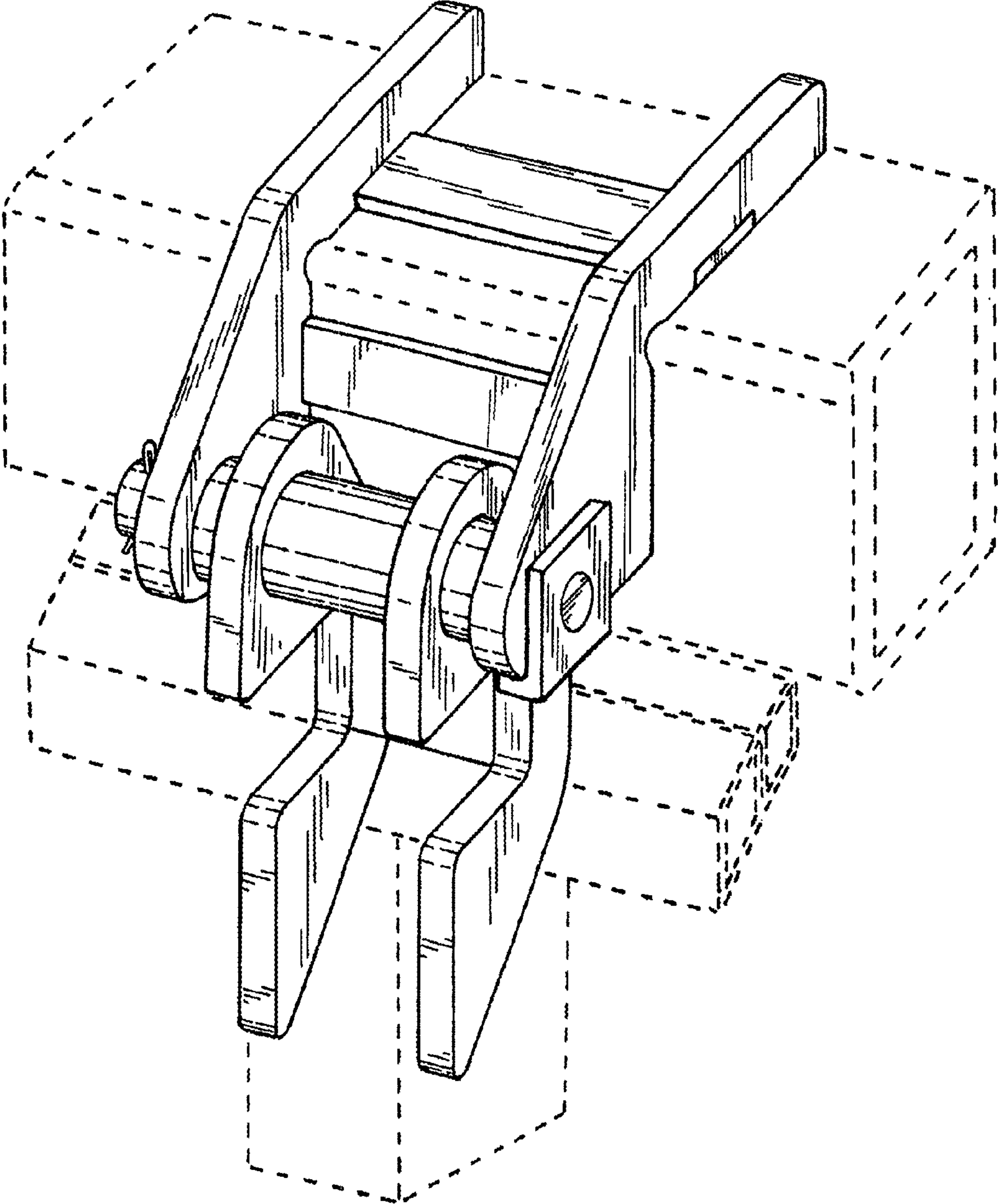


FIG. 8

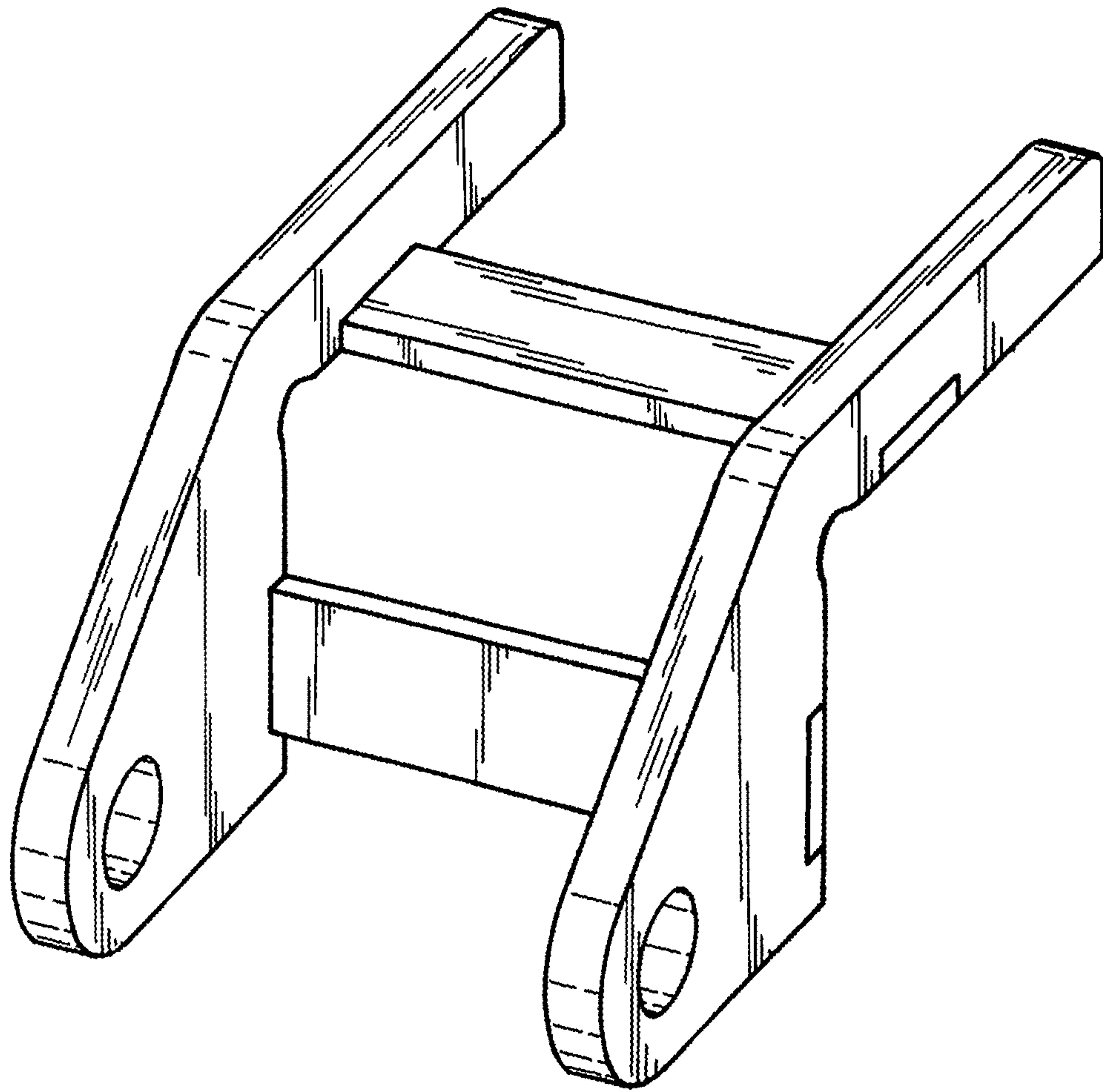


FIG.9

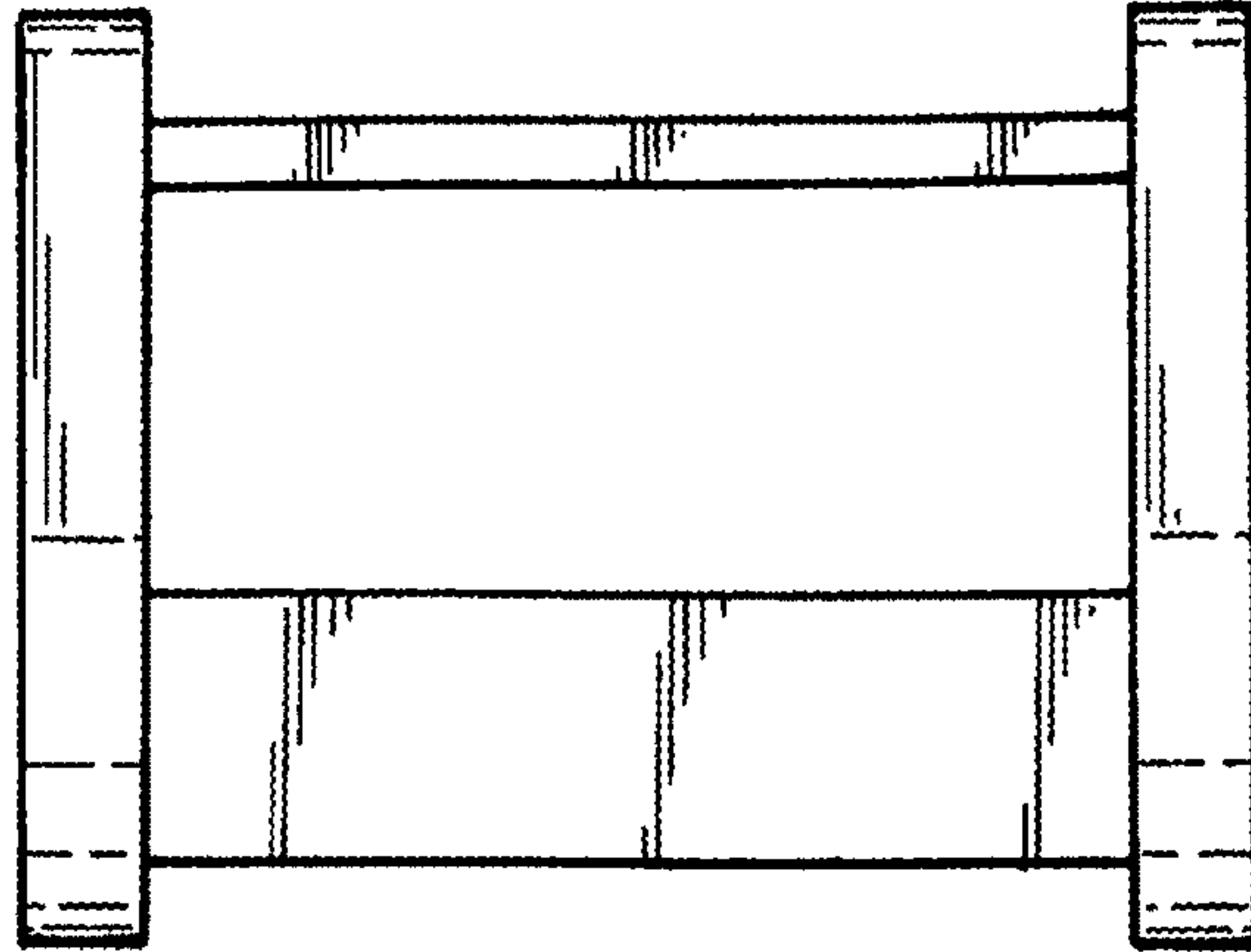


FIG. 10

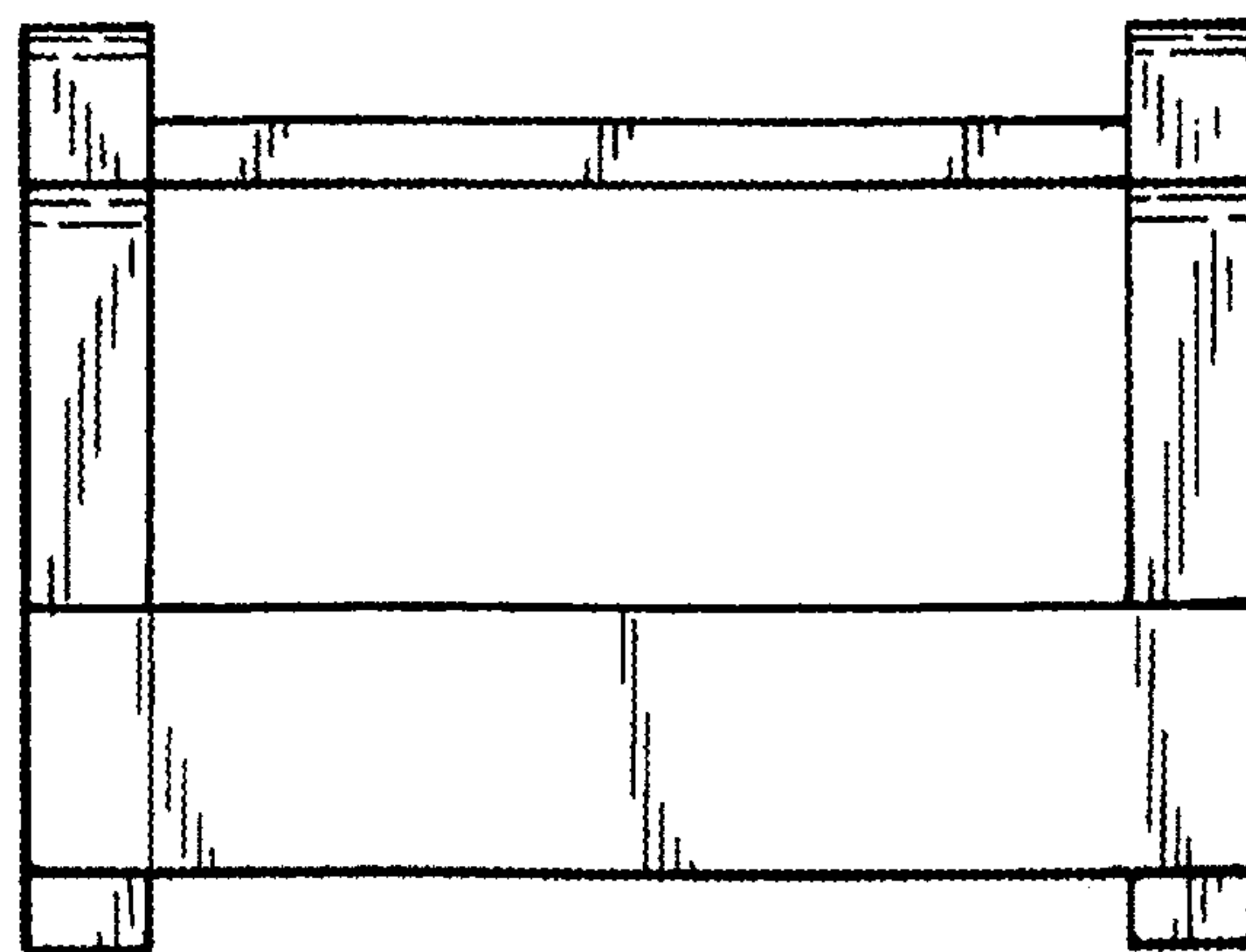


FIG. 11

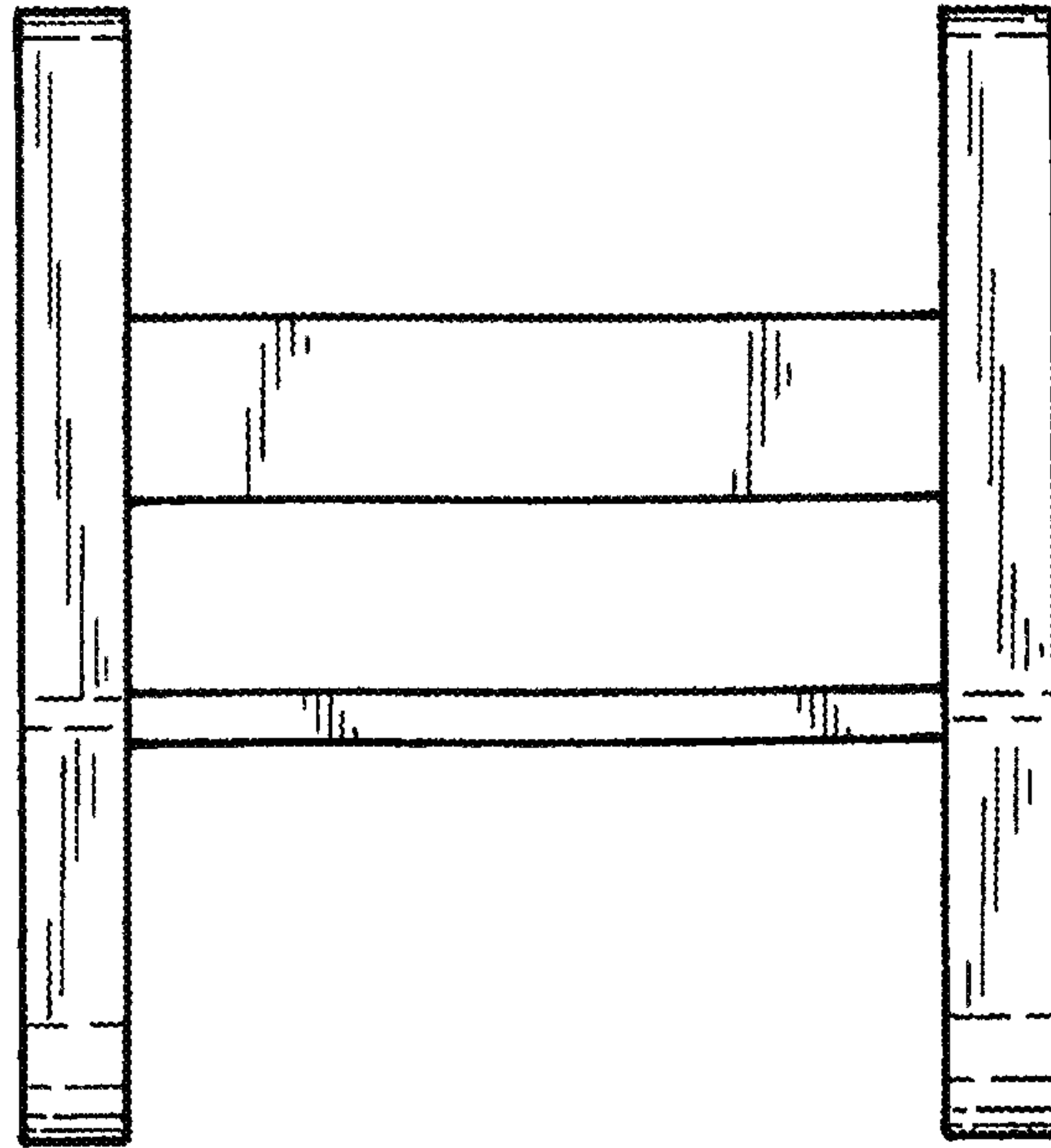


FIG. 12

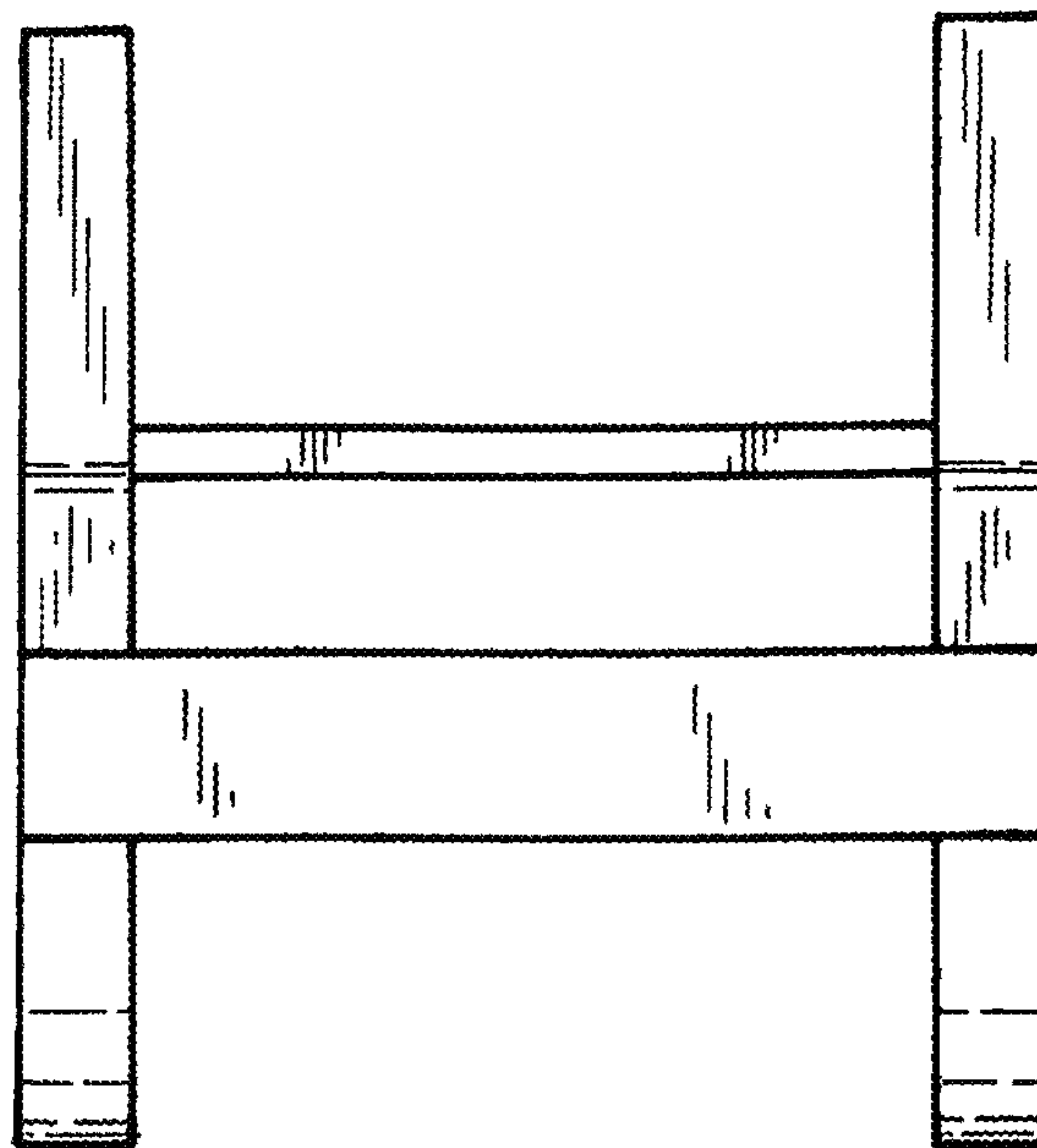


FIG. 13

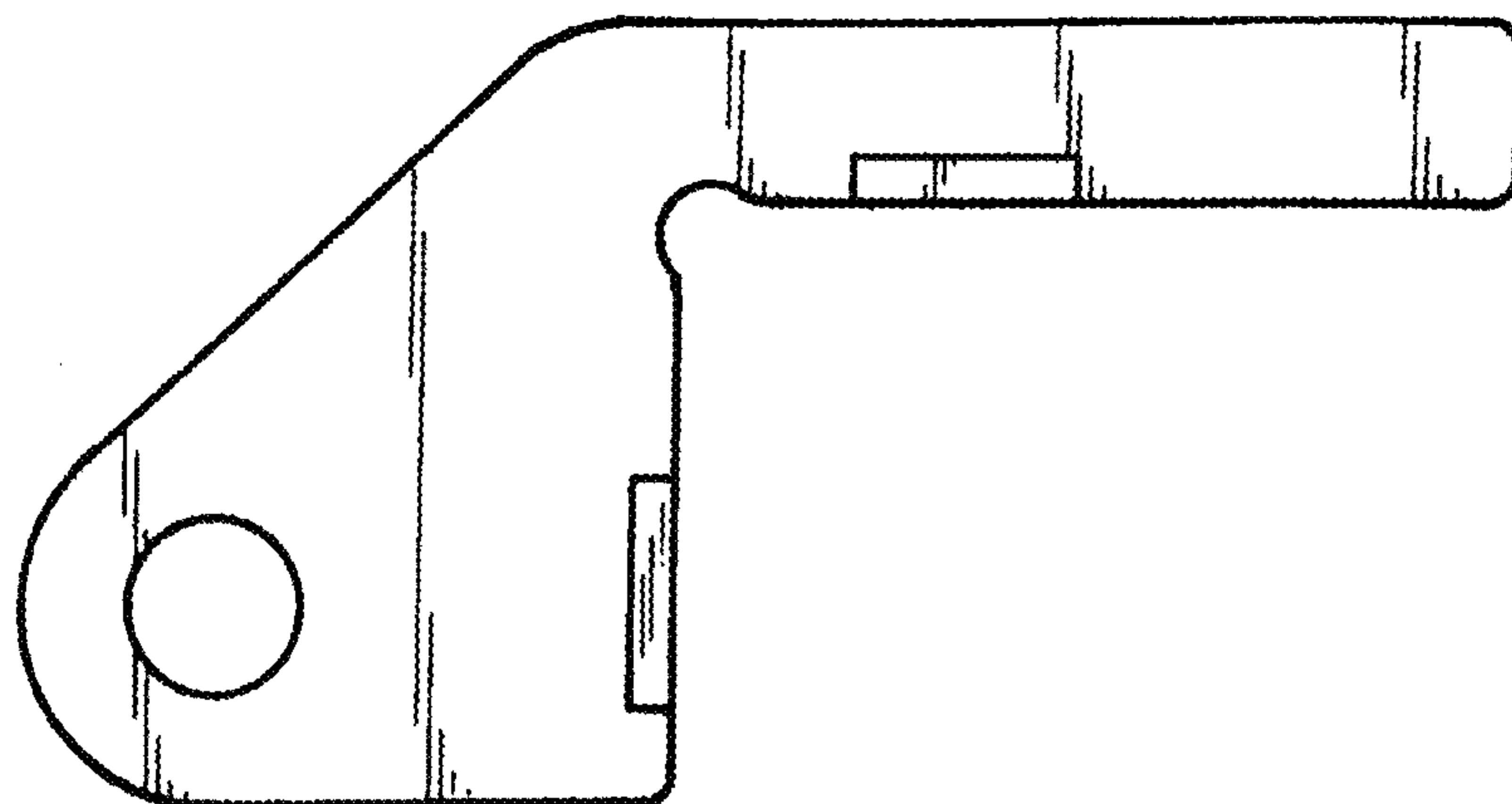


FIG.14

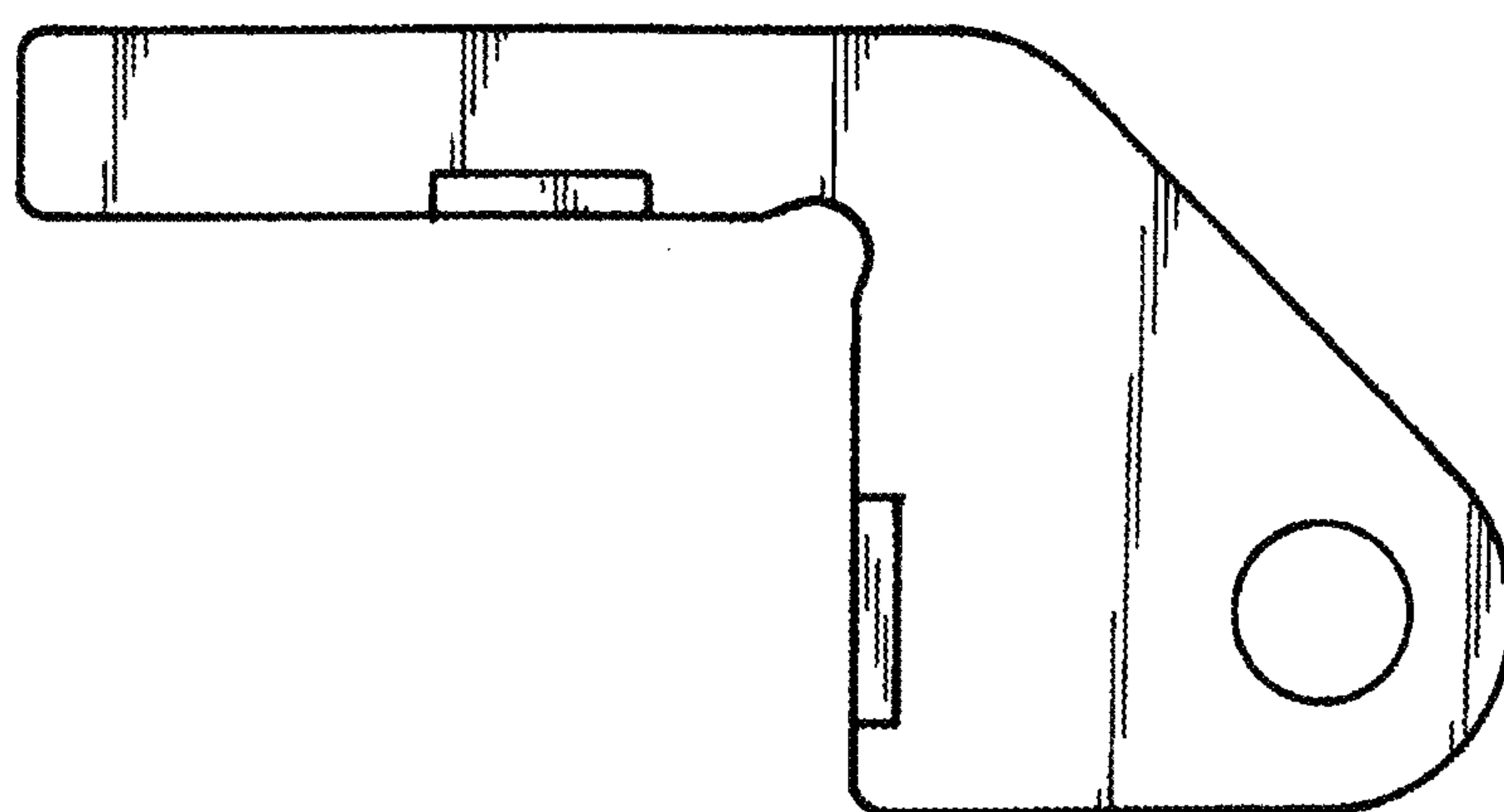


FIG.15