

US00D761077S

(12) **United States Design Patent**
Schweiss

(10) **Patent No.:** **US D761,077 S**
(45) **Date of Patent:** **** Jul. 12, 2016**

- (54) **HINGE**
- (71) Applicant: **Michael L. Schweiss**, Fairfax, MN (US)
- (72) Inventor: **Michael L. Schweiss**, Fairfax, MN (US)
- (73) Assignee: **SORREL QUARTERS, LLC**, Fairfax, MN (US)
- (**) Term: **15 Years**
- (21) Appl. No.: **29/505,123**
- (22) Filed: **Jun. 8, 2015**
- (51) **LOC (10) CL.** **08-06**
- (52) **U.S. CL.**
USPC **D8/323**
- (58) **Field of Classification Search**
USPC 248/301, 302, 303, 304, 339; 24/132 R;
D6/325; D8/367, 323, 354, 380, 349;
D12/223
CPC A47G 1/00; F16B 2/00; A63B 27/00
See application file for complete search history.

(56) **References Cited**

U.S. PATENT DOCUMENTS

3,104,428	A *	9/1963	Benham	E05D 5/0215 16/235
4,295,514	A	10/1981	Johnson		
4,637,446	A	1/1987	McQueen et al.		
5,343,923	A	9/1994	Keller		
6,199,617	B1	3/2001	Schweiss		
6,842,930	B2 *	1/2005	Massey	B65G 69/2888 14/71.1
6,866,080	B2	3/2005	Schweiss		
6,883,273	B2	4/2005	Kerkvliet		
D523,322	S *	6/2006	Thurston	D8/323
7,219,711	B2	5/2007	Keller et al.		
D579,754	S *	11/2008	Gleason	D8/323
D605,492	S *	12/2009	De Leone	D8/323
D631,734	S *	2/2011	Fernandez	D8/380
D658,031	S *	4/2012	Mitchell	D8/323
D695,593	S *	12/2013	Nunez Farfan	D8/354

D698,628	S *	2/2014	Stanley	D8/367
D747,173	S *	1/2016	Gal	D8/323
D748,966	S *	2/2016	Morinaga	D8/323
D749,394	S *	2/2016	Morinaga	D8/323
2001/0034915	A1 *	11/2001	Preston	B65G 69/2894 14/71.1
2002/0092102	A1 *	7/2002	Lounsbury	B65G 69/2894 14/71.3
2005/0044645	A1 *	3/2005	Gleason	B65G 69/2817 14/71.3
2009/0241293	A1 *	10/2009	Swerdlick	A47L 9/32 16/430
2011/0225895	A1	9/2011	Peterson		

* cited by examiner

Primary Examiner — Cynthia Underwood
(74) *Attorney, Agent, or Firm* — Richard John Bartz

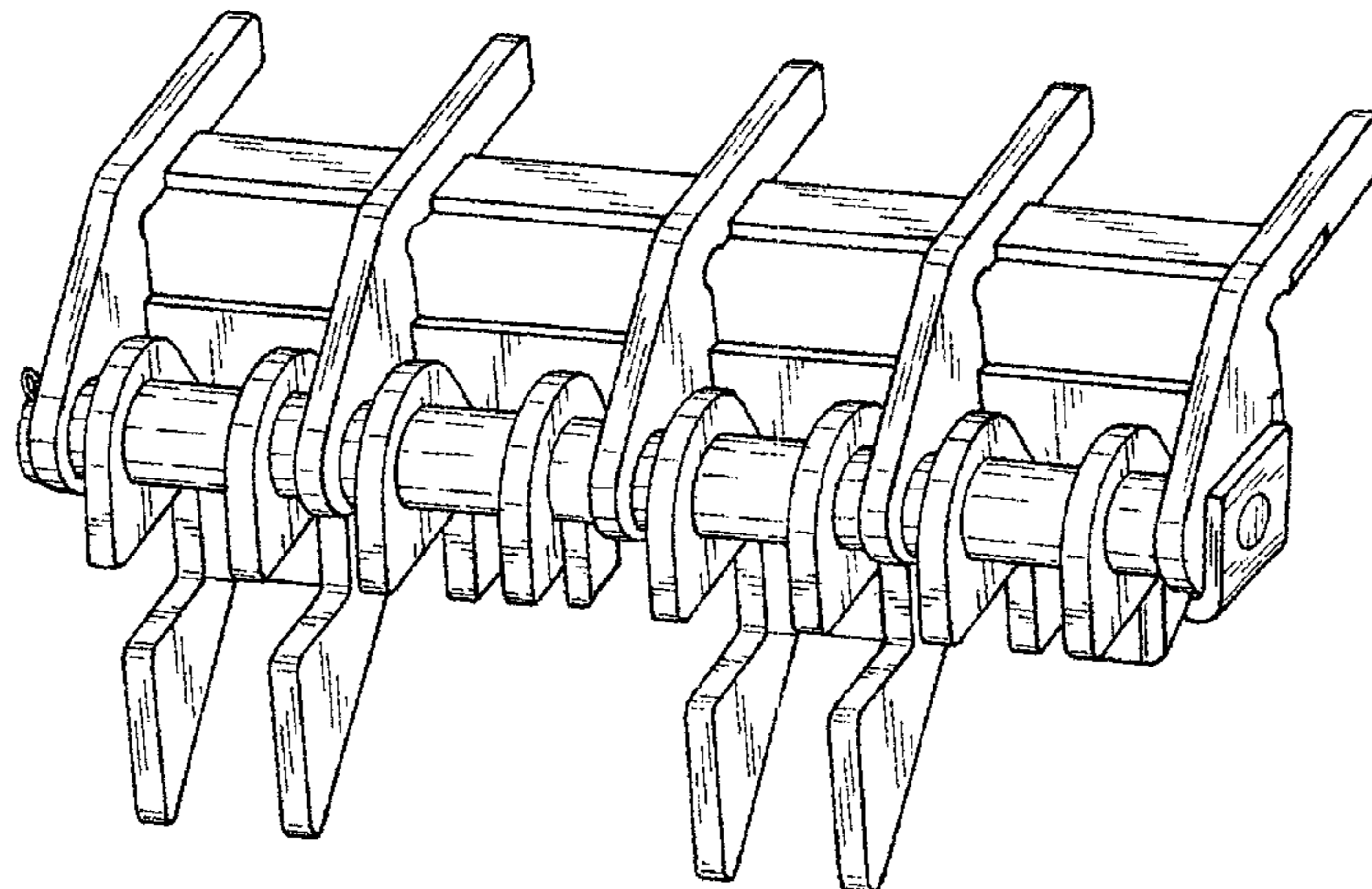
(57) **CLAIM**

The ornamental design of a hinge, as shown and described.

DESCRIPTION

FIG. 1 is a perspective view of the hinge of my design;
 FIG. 2 is a front elevational view thereof;
 FIG. 3 is a rear elevational view thereof;
 FIG. 4 is a top plan view thereof;
 FIG. 5 is a bottom plan view thereof.
 FIG. 6 is a side elevational view of the left side thereof;
 FIG. 7 is a side sectional view taken along line 7-7 of FIG. 4;
 FIG. 8 is a side elevational view of the right side thereof;
 FIG. 9 is a perspective view of the top member of the hinge of FIG. 1 shown separated from the bottom member;
 FIG. 10 is a top plan view of FIG. 9;
 FIG. 11 is a bottom plan view of FIG. 9;
 FIG. 12 is a front elevational view of FIG. 9;
 FIG. 13 is a rear elevational view of FIG. 9;
 FIG. 14 is a side elevational view of the left side of FIG. 9;
 FIG. 15 is a sectional view taken along line 15-15 of FIG. 10;
 and,
 FIG. 16 is a side elevational view of the right side of FIG. 9.

1 Claim, 7 Drawing Sheets



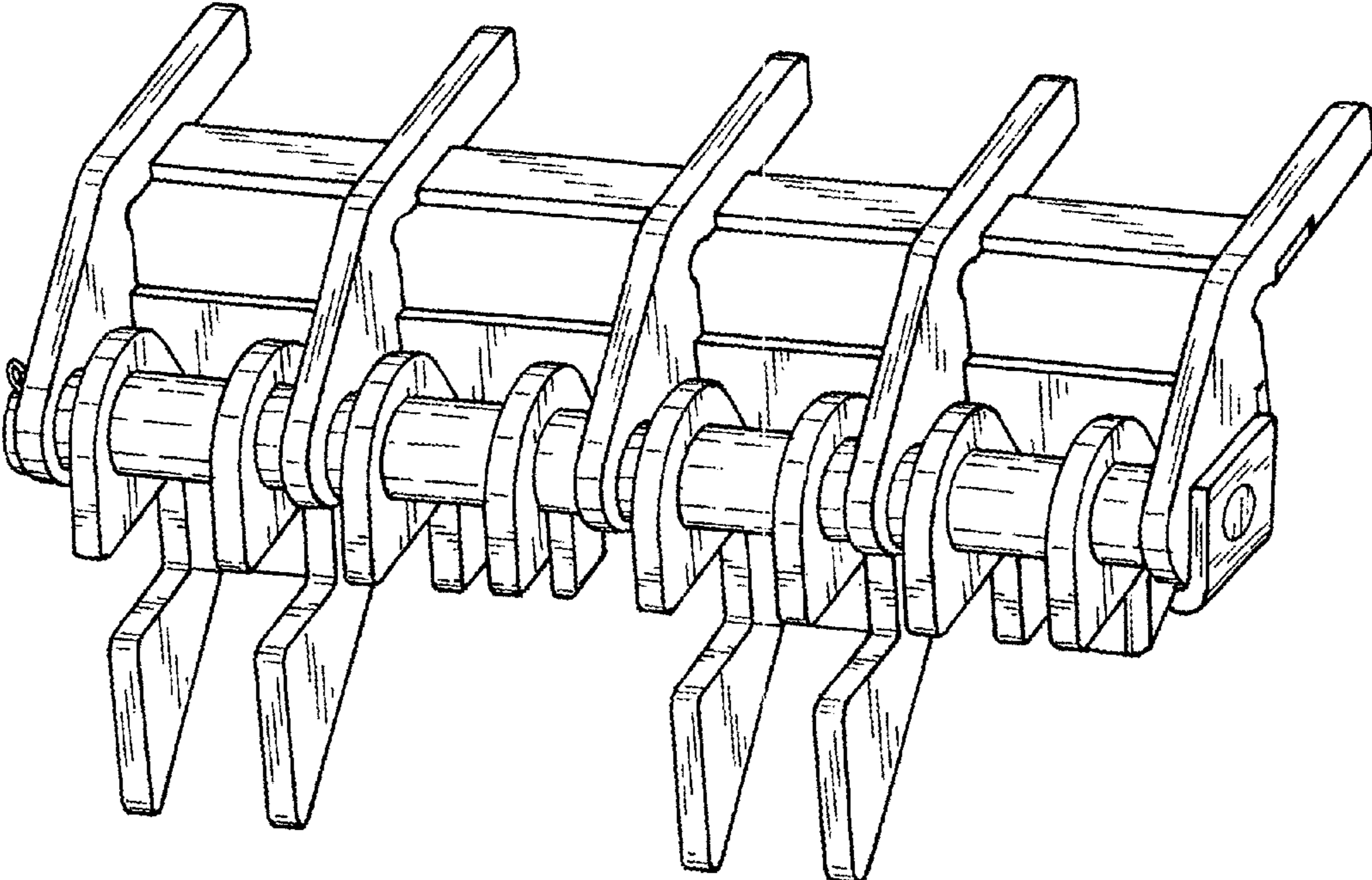


FIG.1

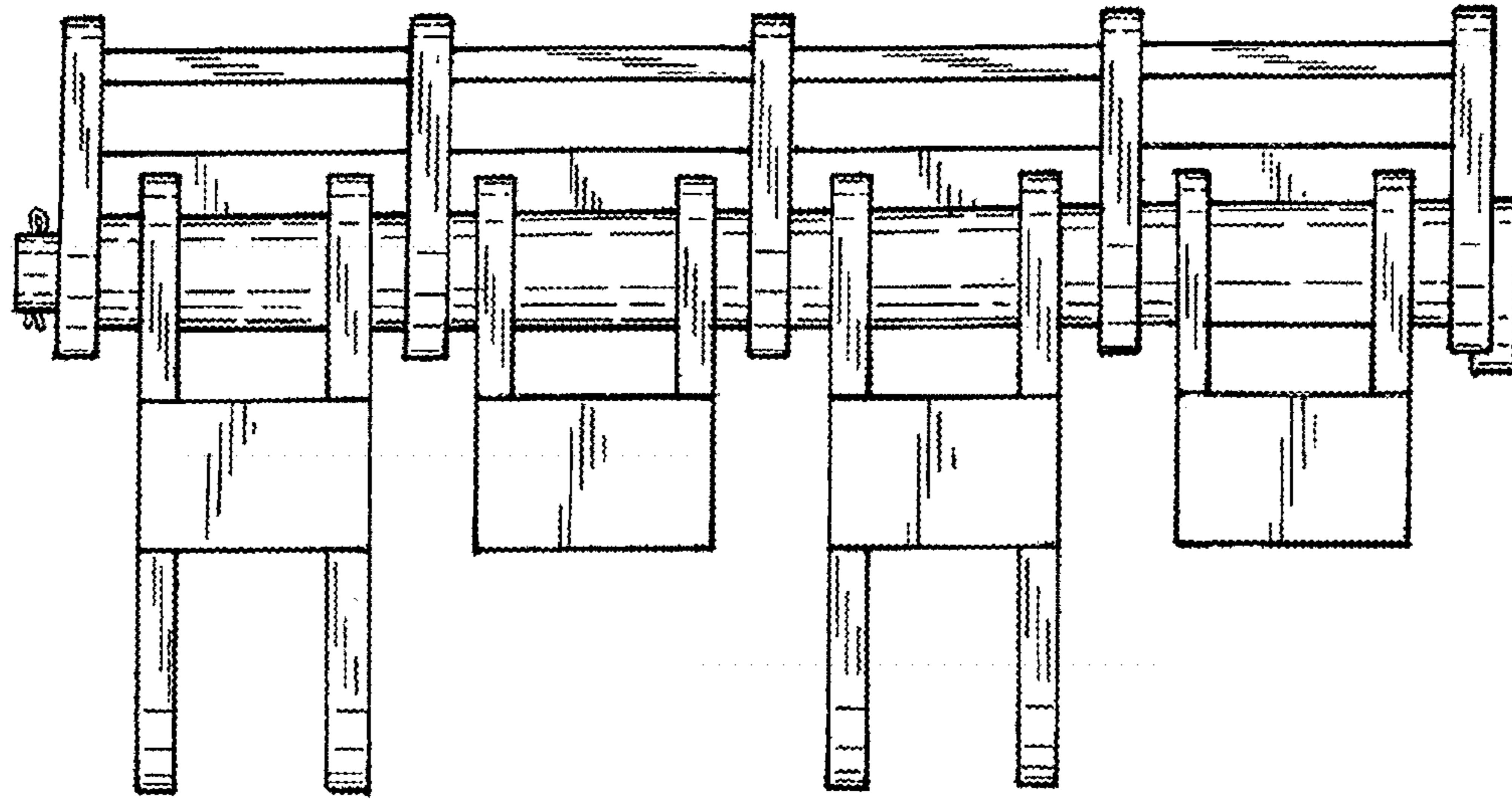


FIG. 2

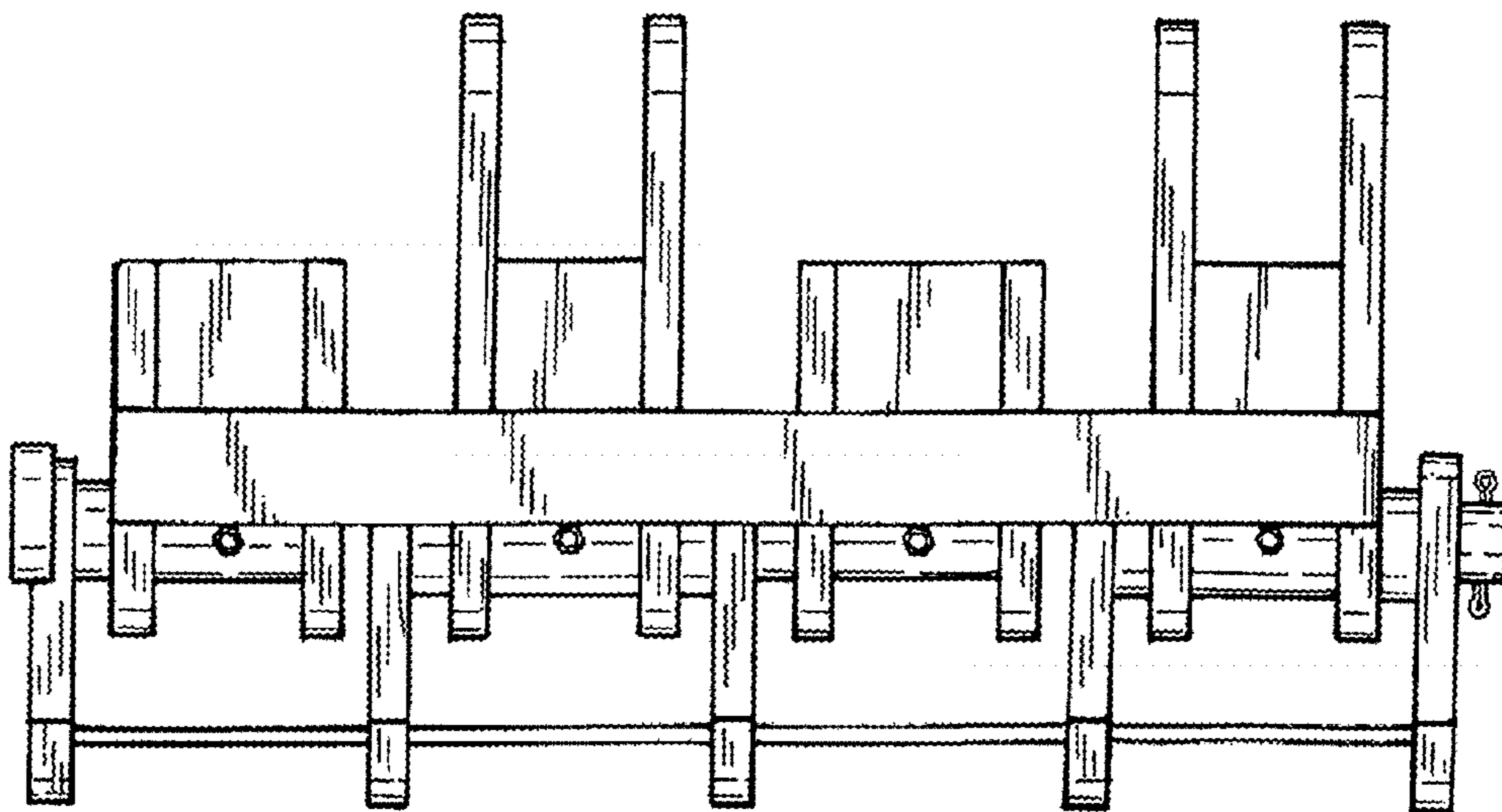


FIG. 3

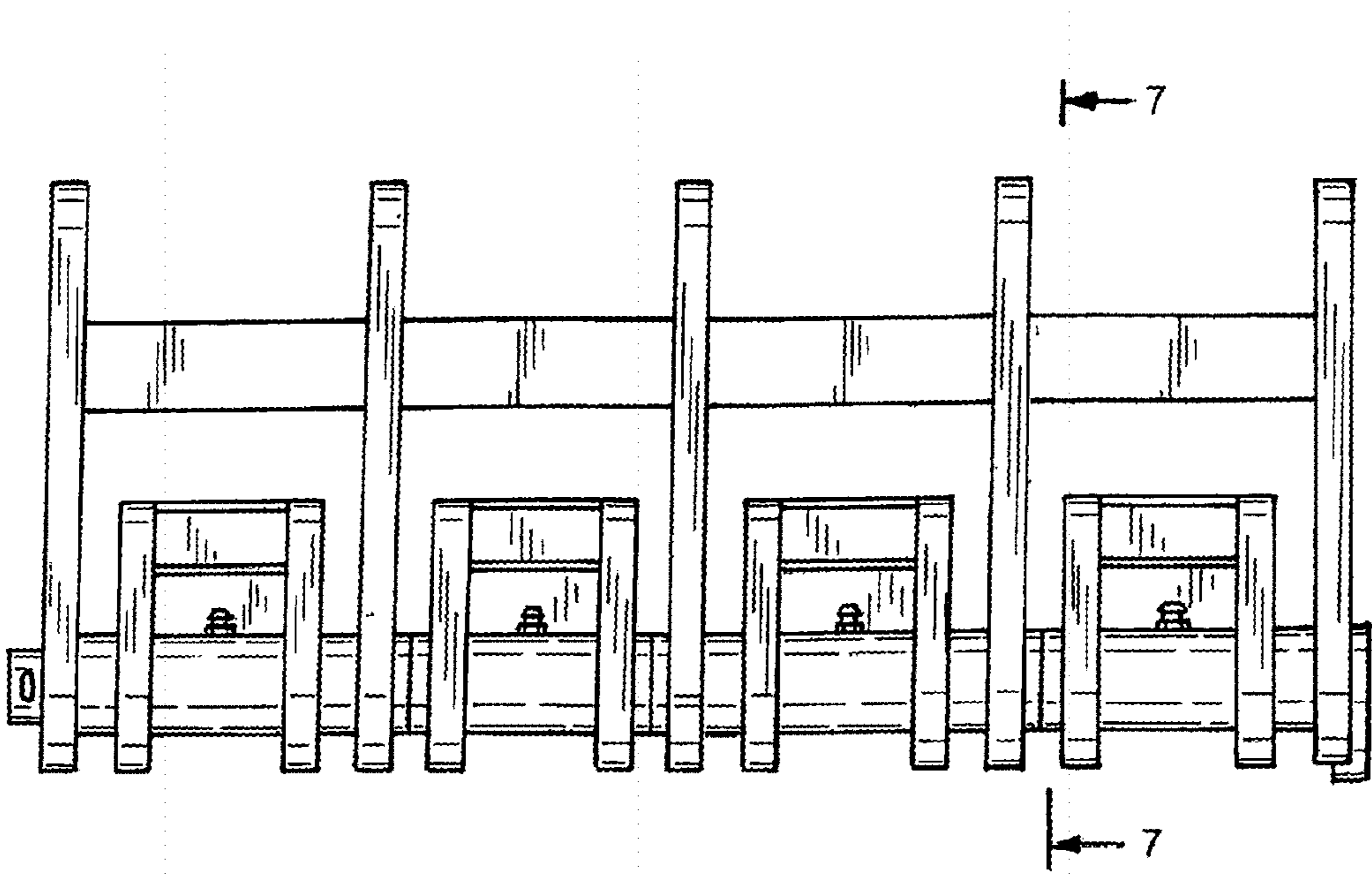


FIG. 4

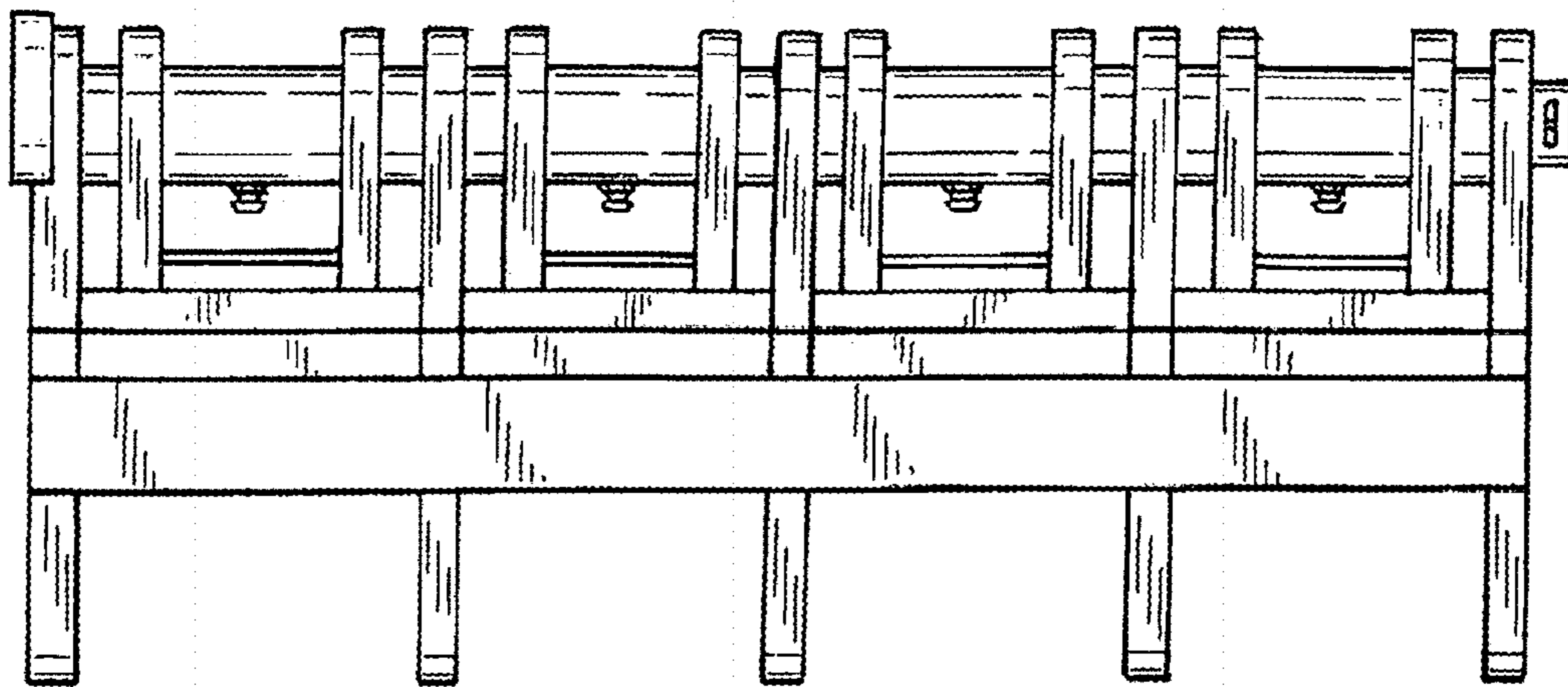


FIG. 5

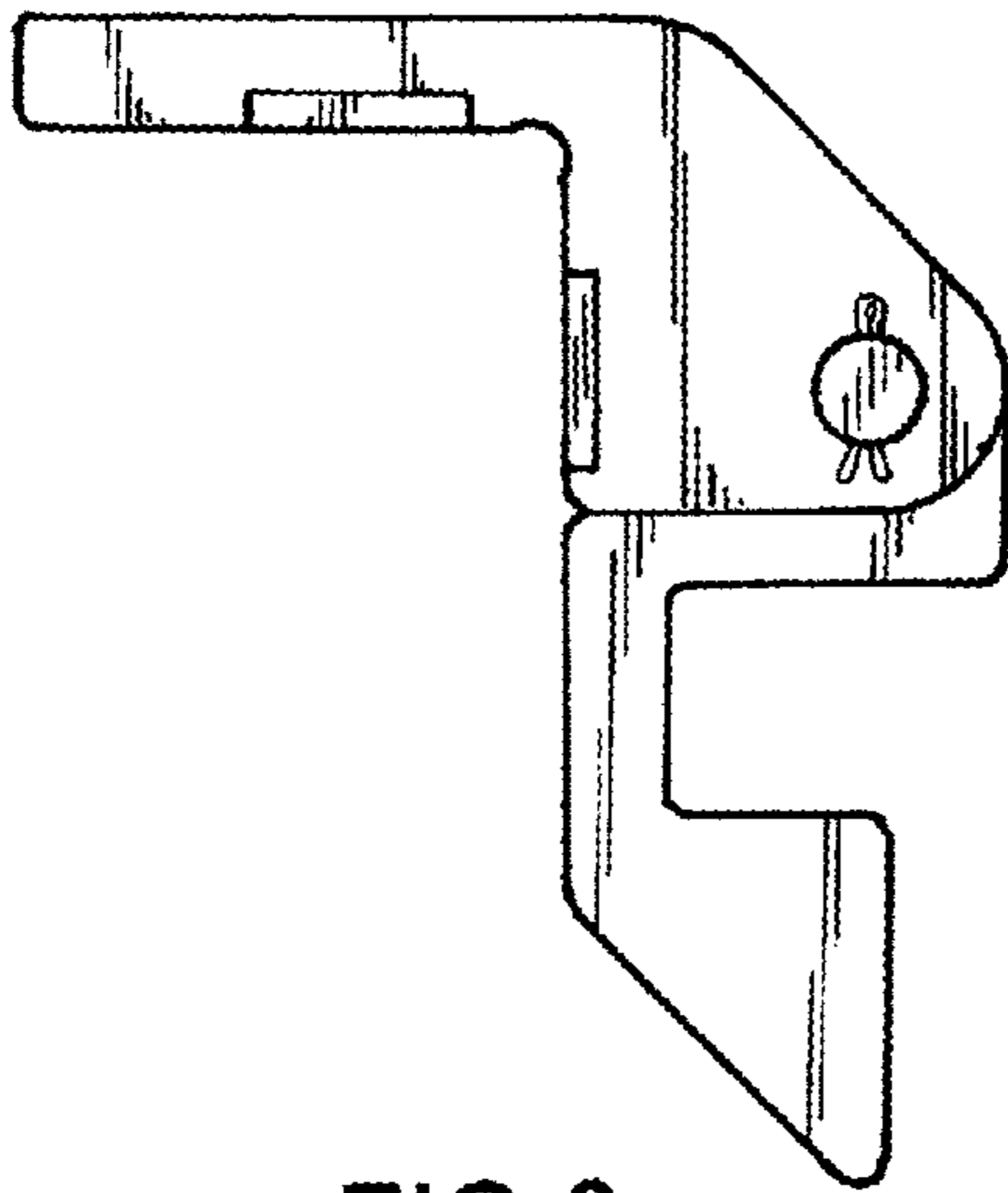


FIG. 6

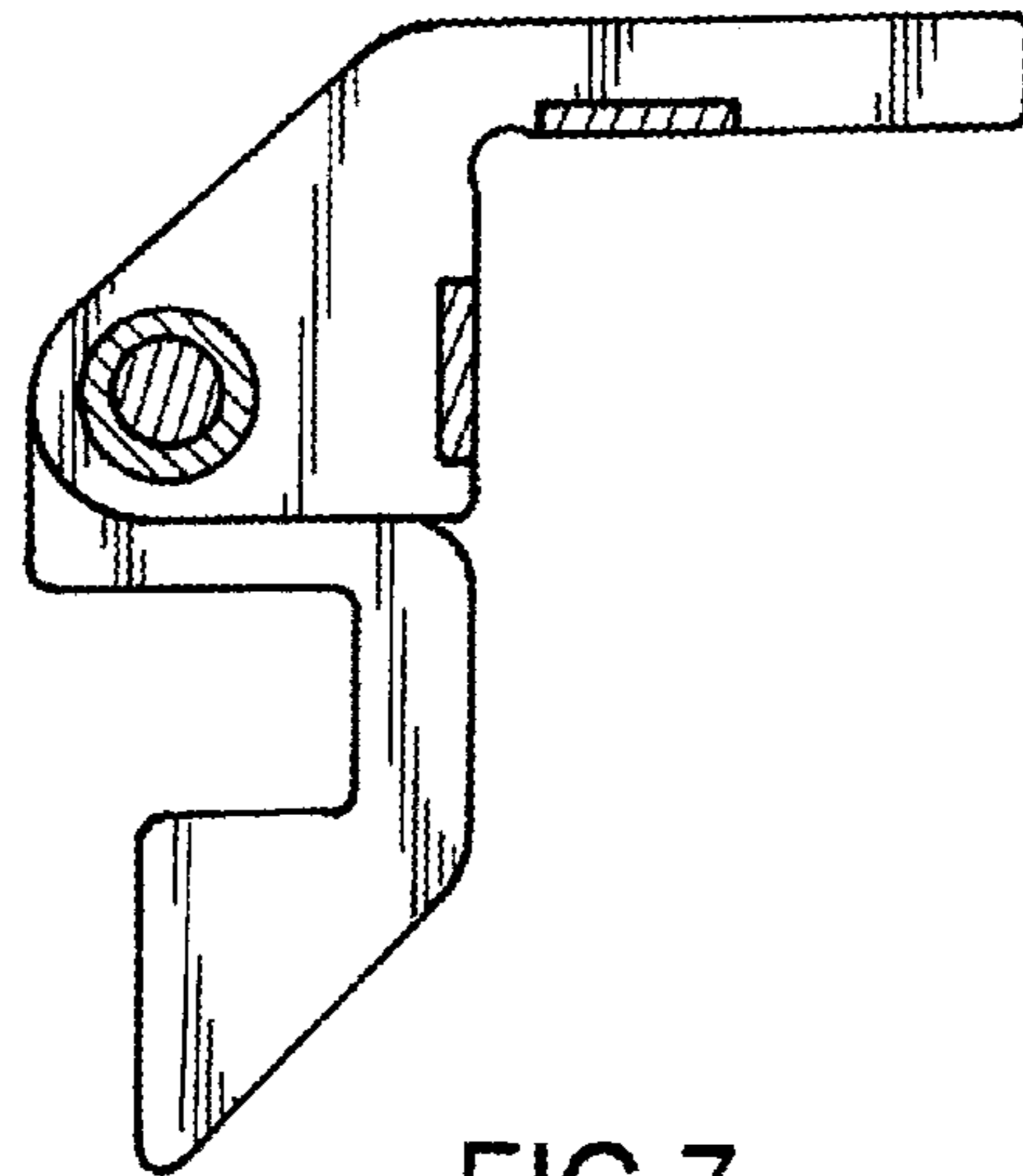


FIG. 7

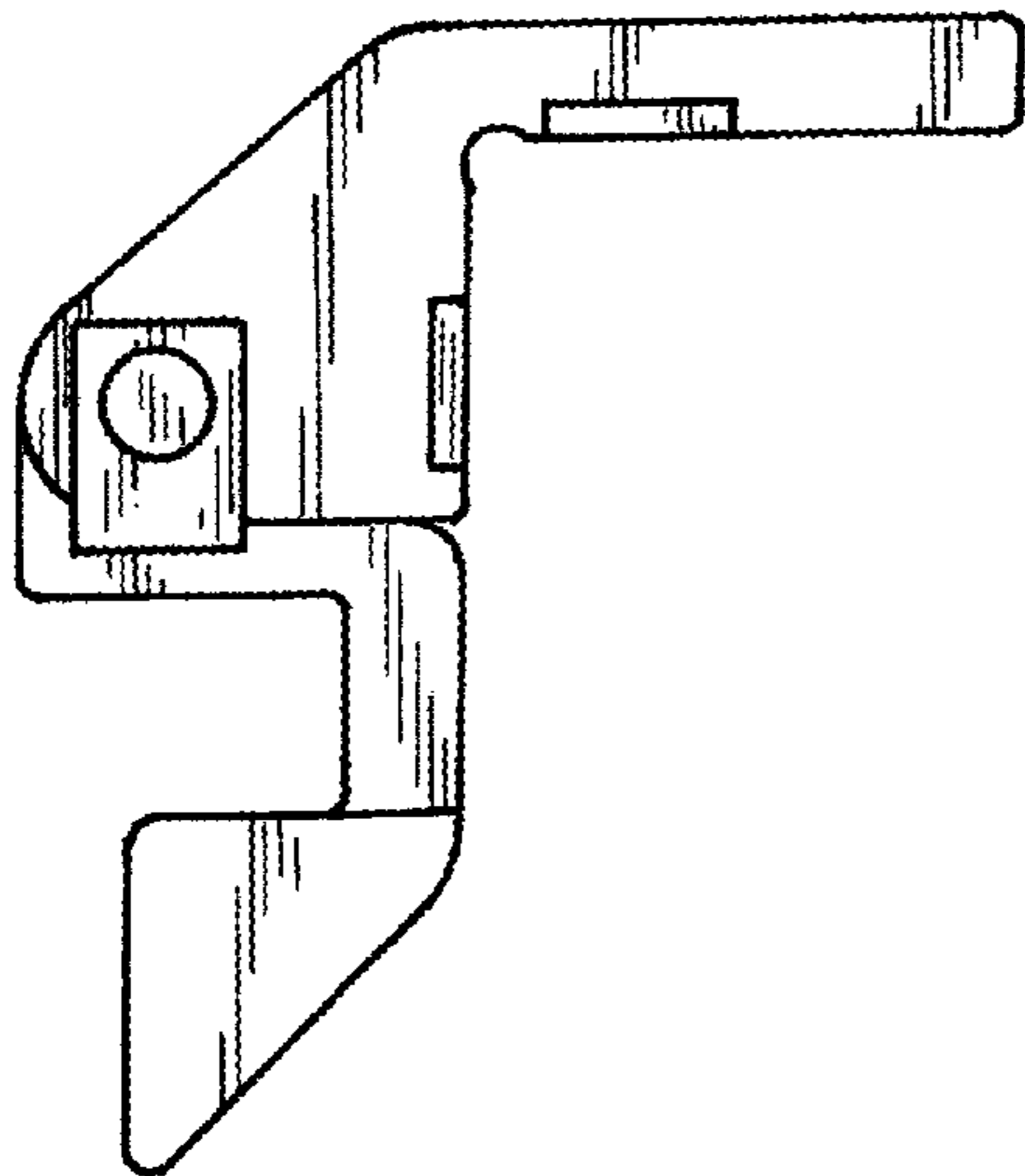
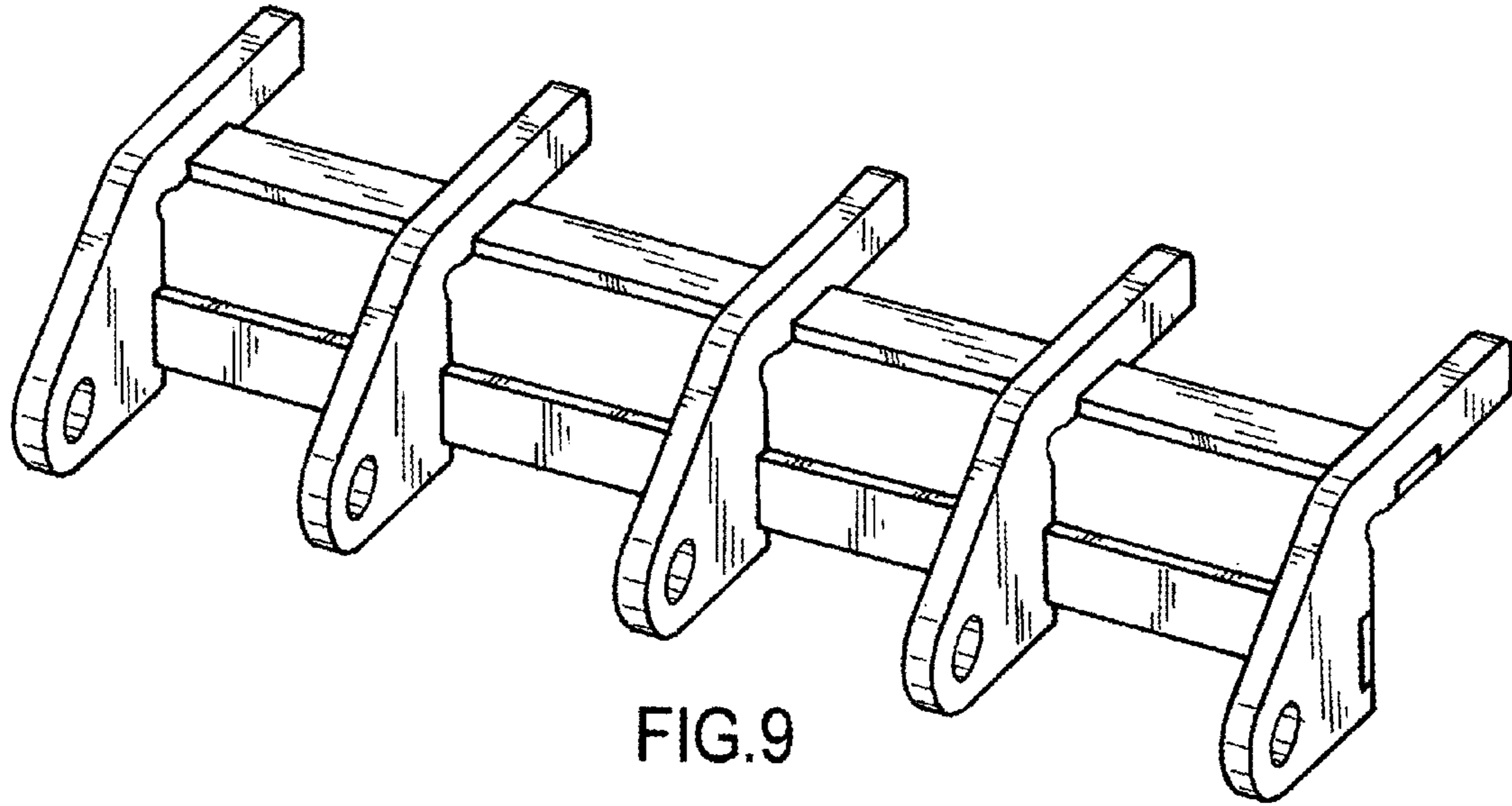
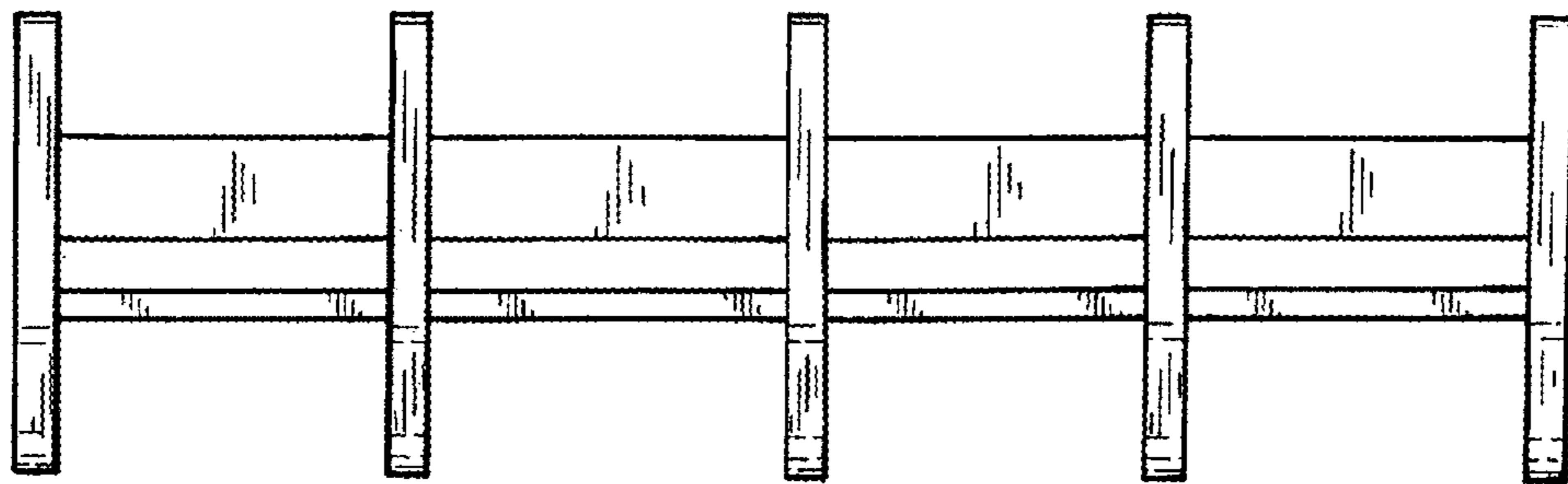


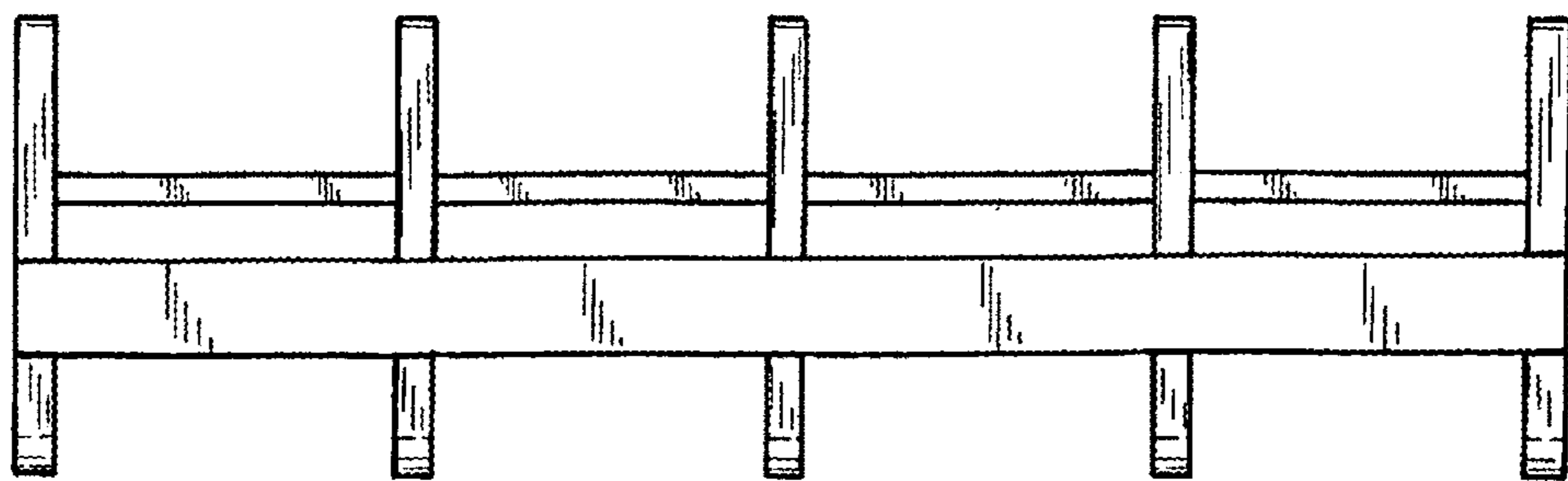
FIG. 8



15



15



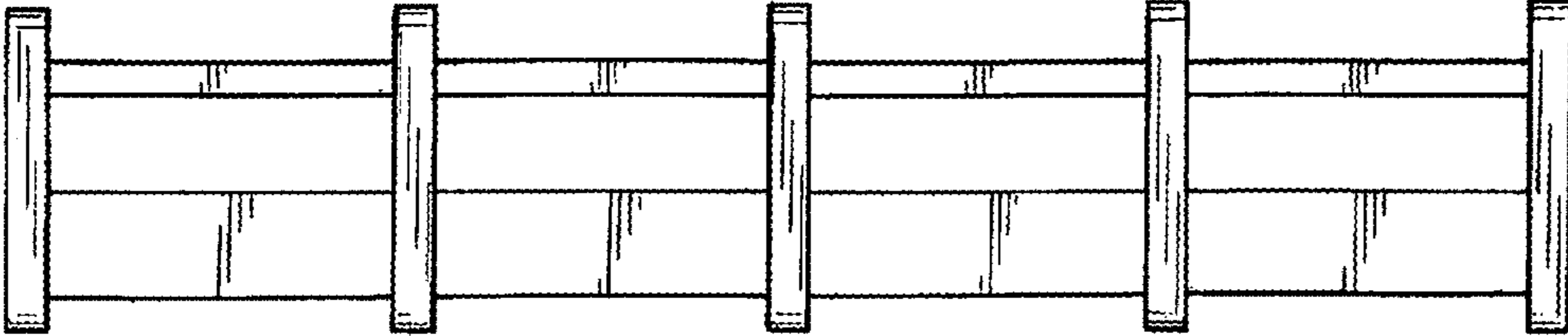


FIG.12

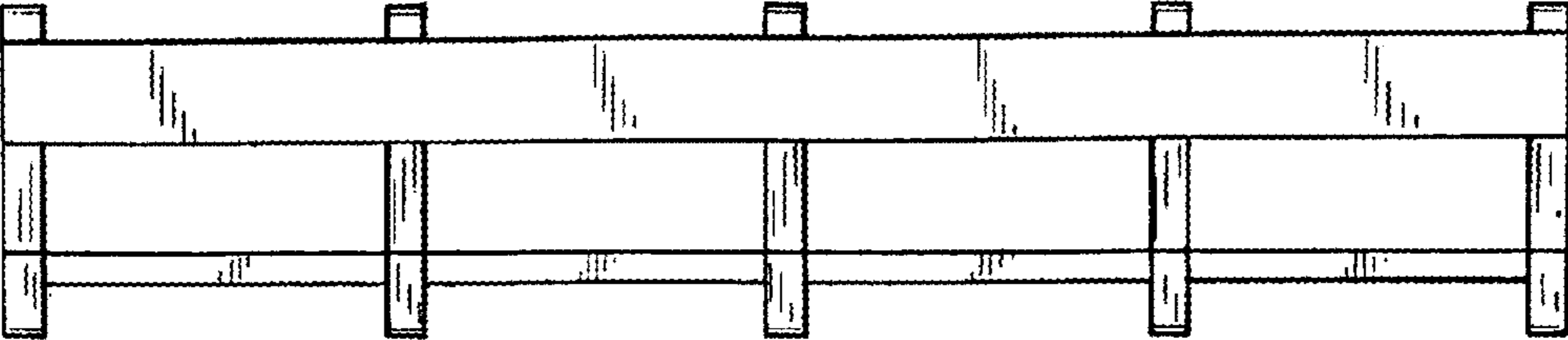


FIG.13

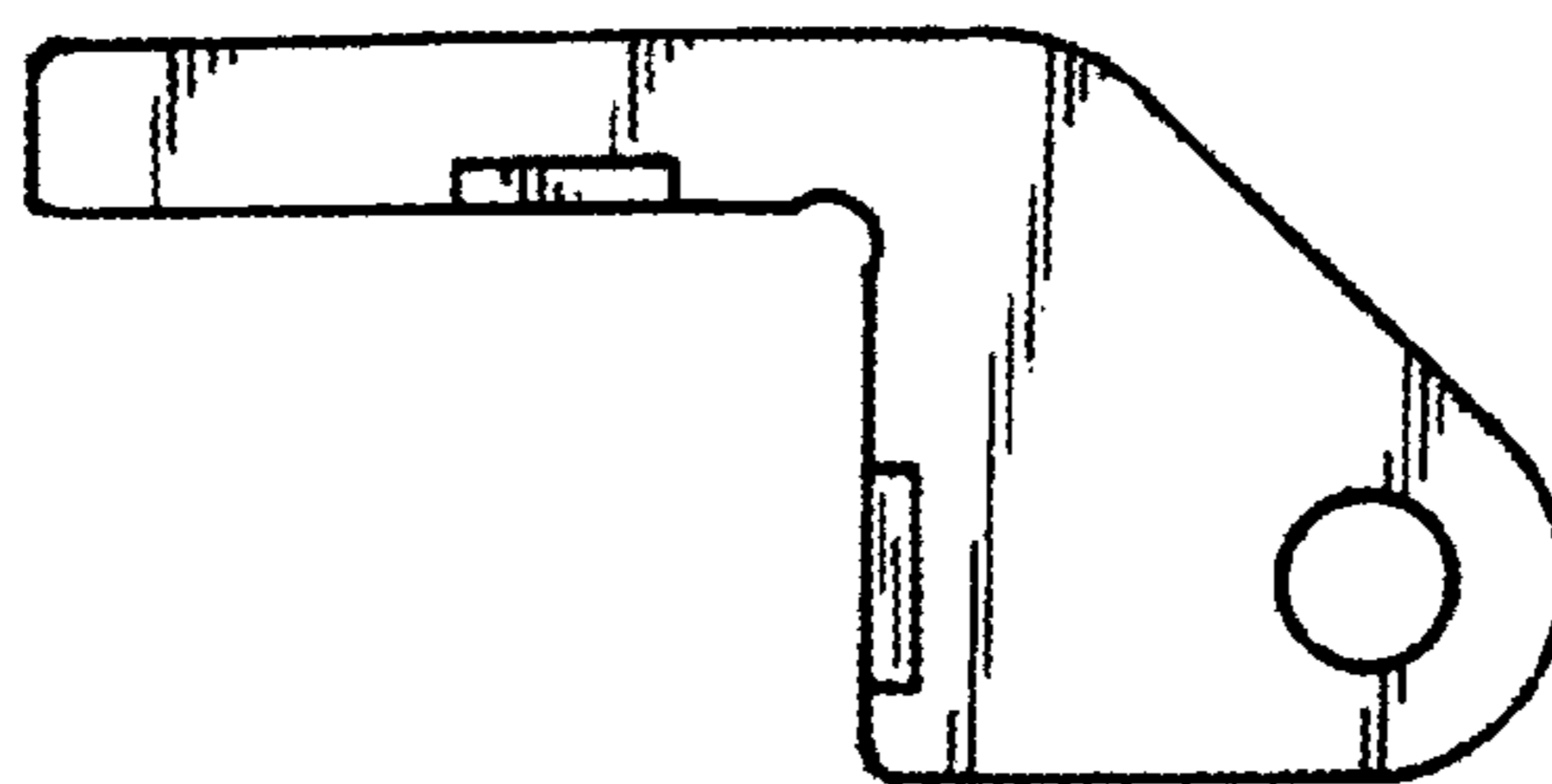


FIG. 14

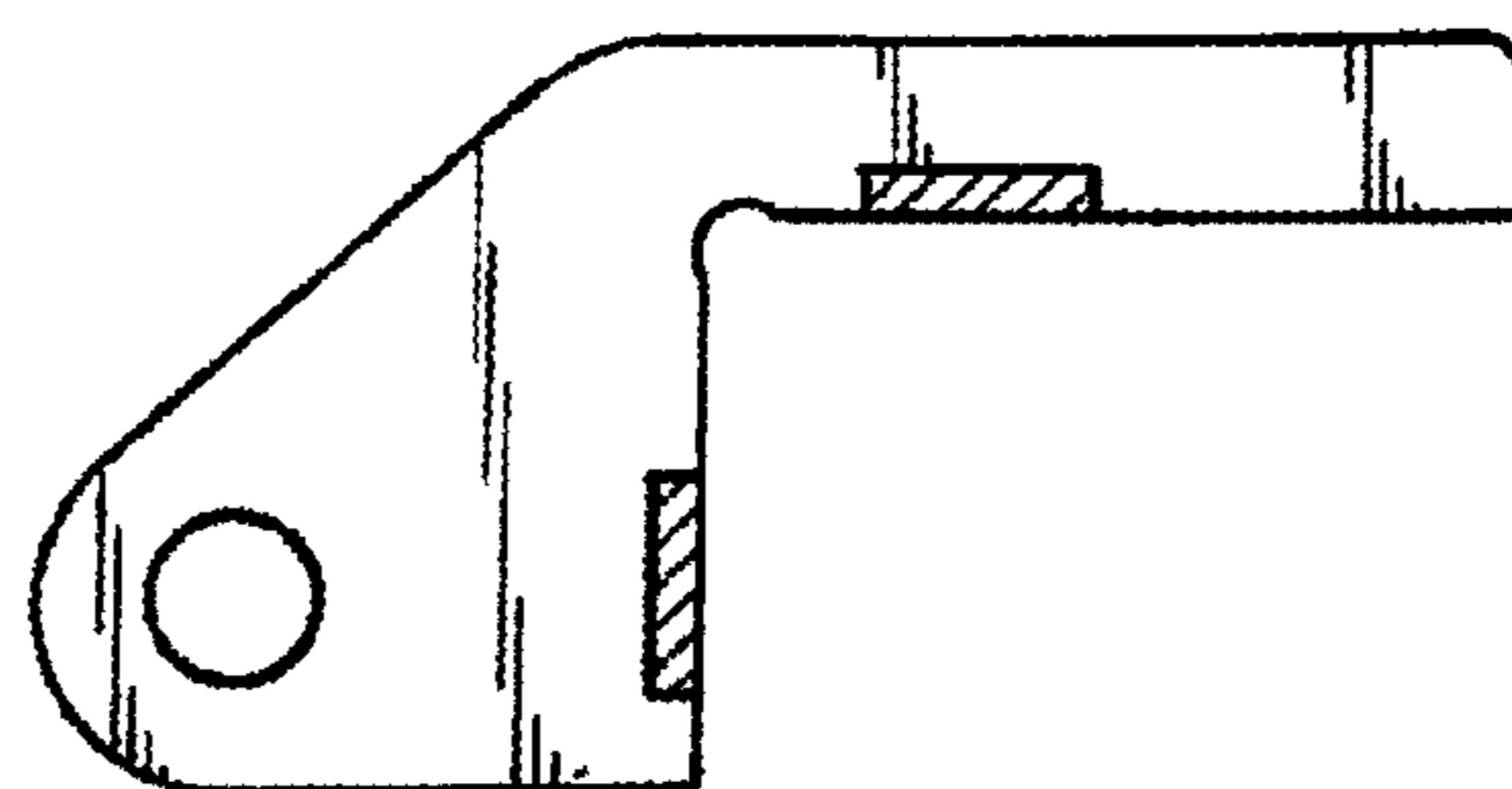


FIG. 15

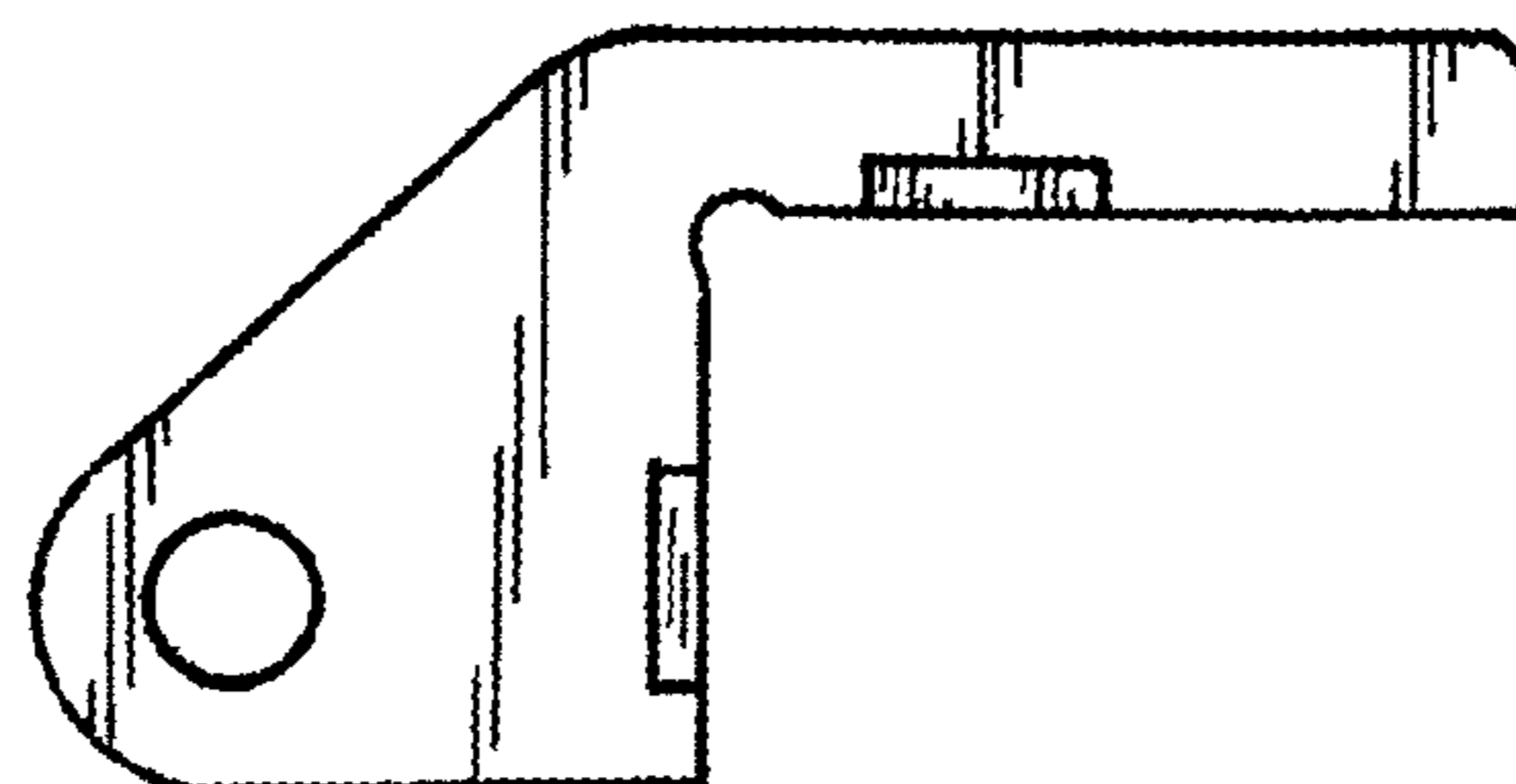


FIG. 16