

US00D761070S

(12) **United States Design Patent**
Sell et al.

(10) **Patent No.:** **US D761,070 S**
(45) **Date of Patent:** **** Jul. 12, 2016**

(54) **POWER TOOL**

(71) Applicant: **Black & Decker Inc.**, Newark, DE (US)

(72) Inventors: **Stefan Sell**, Mainz (DE); **Isabell Oeffner**, Bad Vilbel (DE)

(73) Assignee: **Black & Decker Inc.**, New Britain, CT (US)

(**) Term: **14 Years**

(21) Appl. No.: **29/524,167**

(22) Filed: **Apr. 17, 2015**

(30) **Foreign Application Priority Data**

Oct. 24, 2014 (EM) 001423636
Oct. 24, 2014 (EM) 001423644
Oct. 24, 2014 (EM) 001423693
Oct. 24, 2014 (EM) 001423701
Oct. 24, 2014 (EM) 001423719

(51) **LOC (10) Cl.** **08-03**

(52) **U.S. Cl.**
USPC **D8/68**

(58) **Field of Classification Search**
USPC D8/61, 67, 68; 81/57.4, 489; 173/48,
173/109, 170, 178, 217; 408/124, 125;
362/119; 475/149
CPC B62D 23/005; B62D 29/00; B62D 29/043;
B62D 31/00; B62D 33/046; B62D 35/00;
B62D 35/001; B60Q 1/0005
See application file for complete search history.

(56) **References Cited**

U.S. PATENT DOCUMENTS

D328,411 S * 8/1992 Cavedo D8/68
D337,711 S * 7/1993 Ogawa D8/68
D342,878 S * 1/1994 Watanabe D8/68

D343,105 S * 1/1994 Shibata D8/68
D406,741 S * 3/1999 Zurwelle D8/68
D466,779 S * 12/2002 Shibata D8/68
D482,254 S * 11/2003 Tsuzuki D8/68
D486,049 S * 2/2004 Sugiura D8/68
D496,574 S * 9/2004 Sakai D8/68
D527,969 S * 9/2006 Okada D8/68
D540,135 S * 4/2007 Okuda D8/68
D567,614 S * 4/2008 Okuda D8/68
D587,545 S * 3/2009 Hayakawa D8/68
D592,478 S * 5/2009 Wright D8/68
D593,388 S * 6/2009 Hayakawa D8/68
D617,168 S * 6/2010 Yamamoto D8/68
D628,454 S * 12/2010 Misaki D8/68
D628,455 S * 12/2010 Misaki D8/68
D643,270 S * 8/2011 Hayakawa D8/68
D644,495 S * 9/2011 Misaki D8/68
D708,032 S * 7/2014 Aglassinger D8/68
D708,496 S * 7/2014 Zhou D8/68
2007/0125565 A1 * 6/2007 Etter B25F 5/02
173/170
2009/0056967 A1 * 3/2009 Sell B25D 11/005
173/205

* cited by examiner

Primary Examiner — Austin Murphy

(74) *Attorney, Agent, or Firm* — Adan Ayala

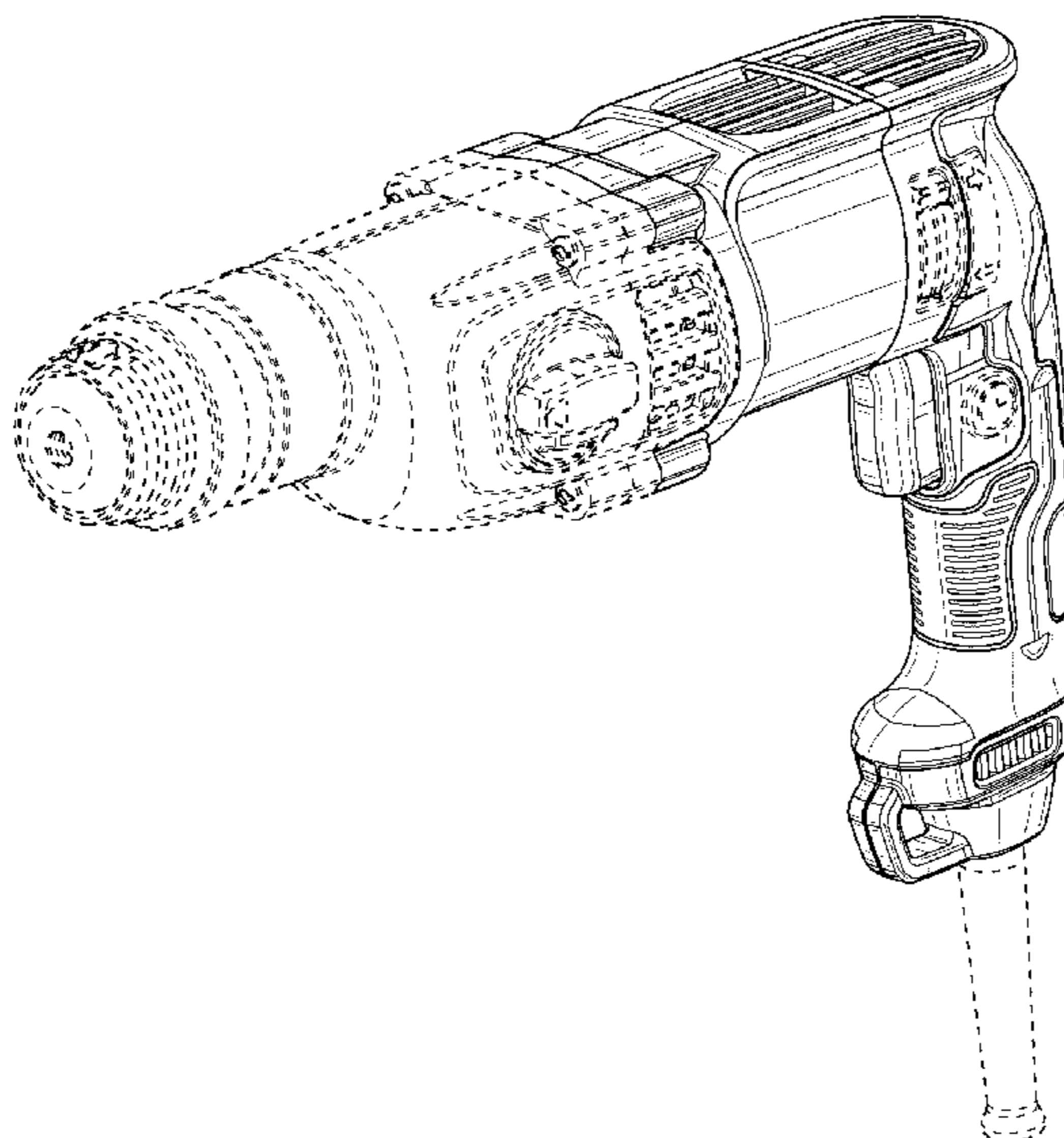
(57) **CLAIM**

The ornamental design for a power tool, as shown and described.

DESCRIPTION

FIG. 1 is a perspective view of our new design;
FIG. 2 is a front view thereof;
FIG. 3 is a rear view thereof;
FIG. 4 is a left side view thereof;
FIG. 5 is a right side view thereof;
FIG. 6 is a top view thereof; and,
FIG. 7 is a bottom view thereof.
The broken lines form no part of this claimed design.

1 Claim, 7 Drawing Sheets



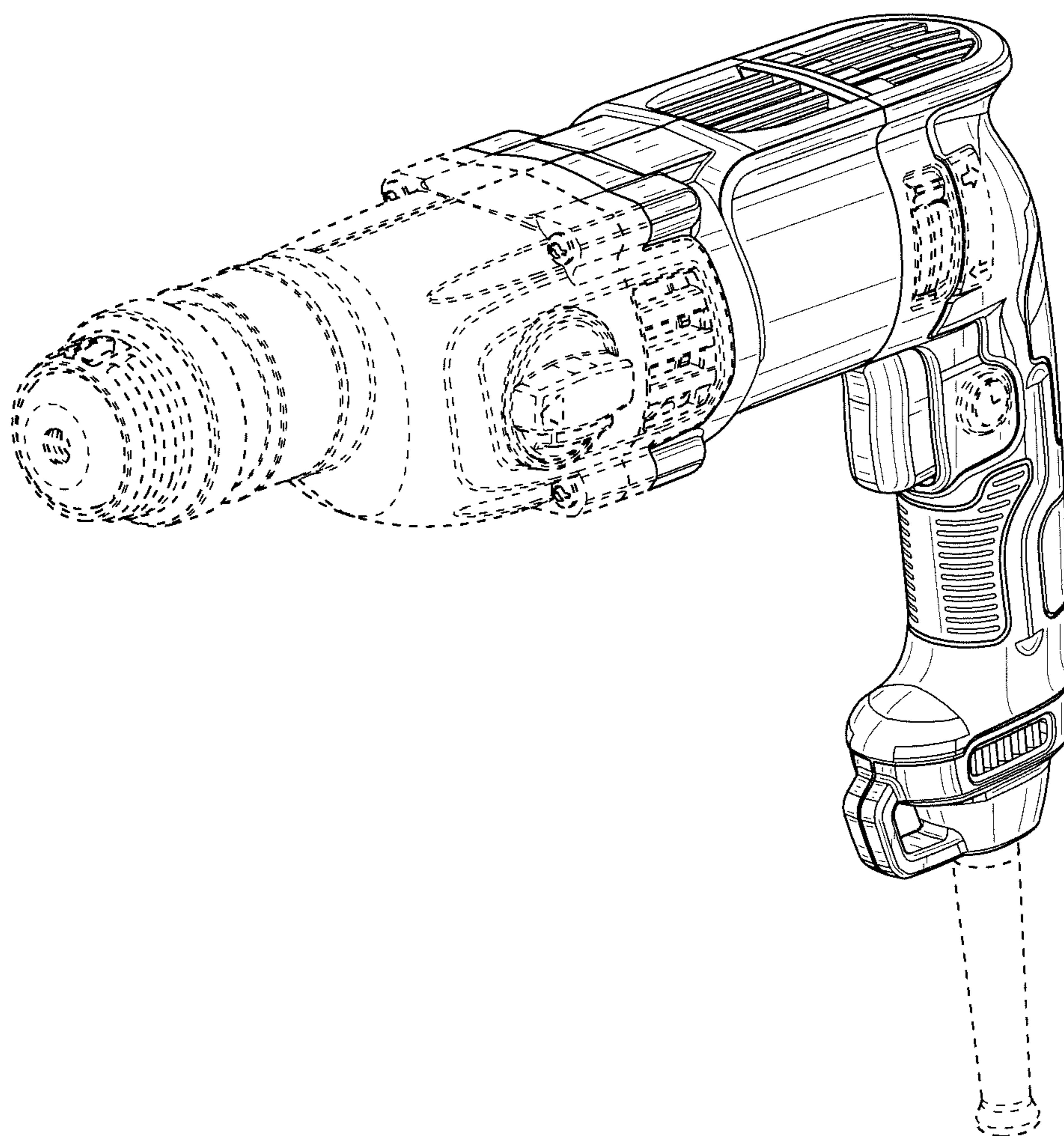


FIG. 1

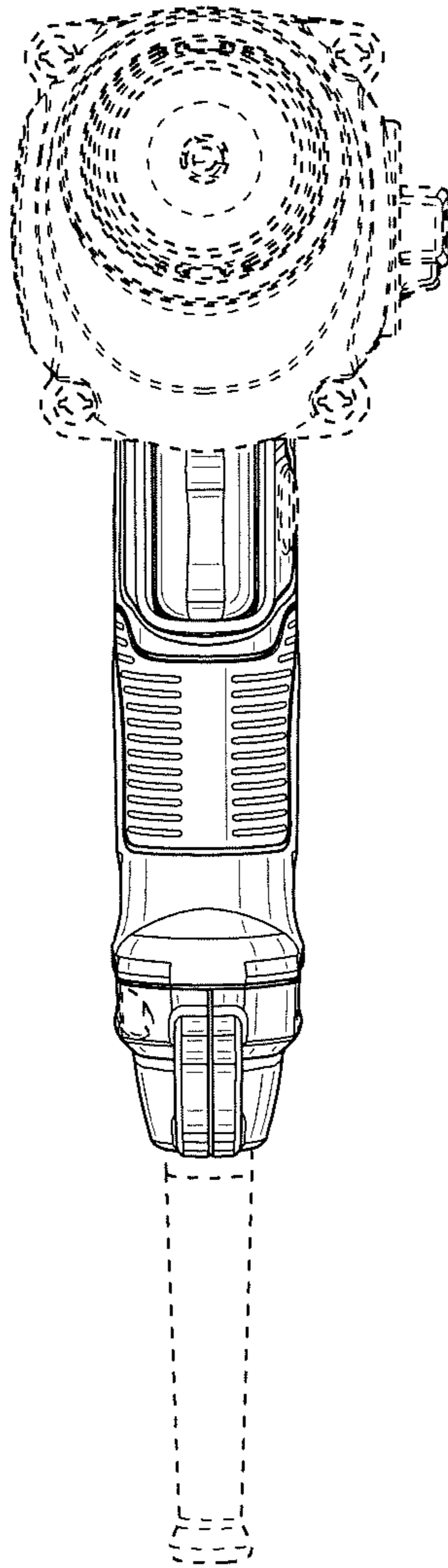


FIG. 2

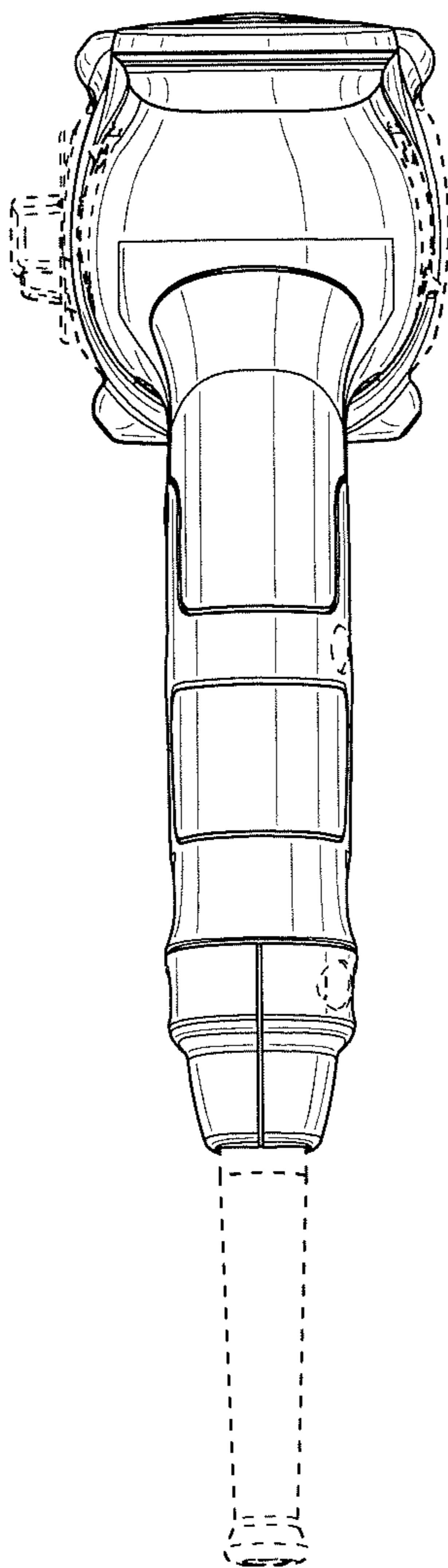


FIG. 3

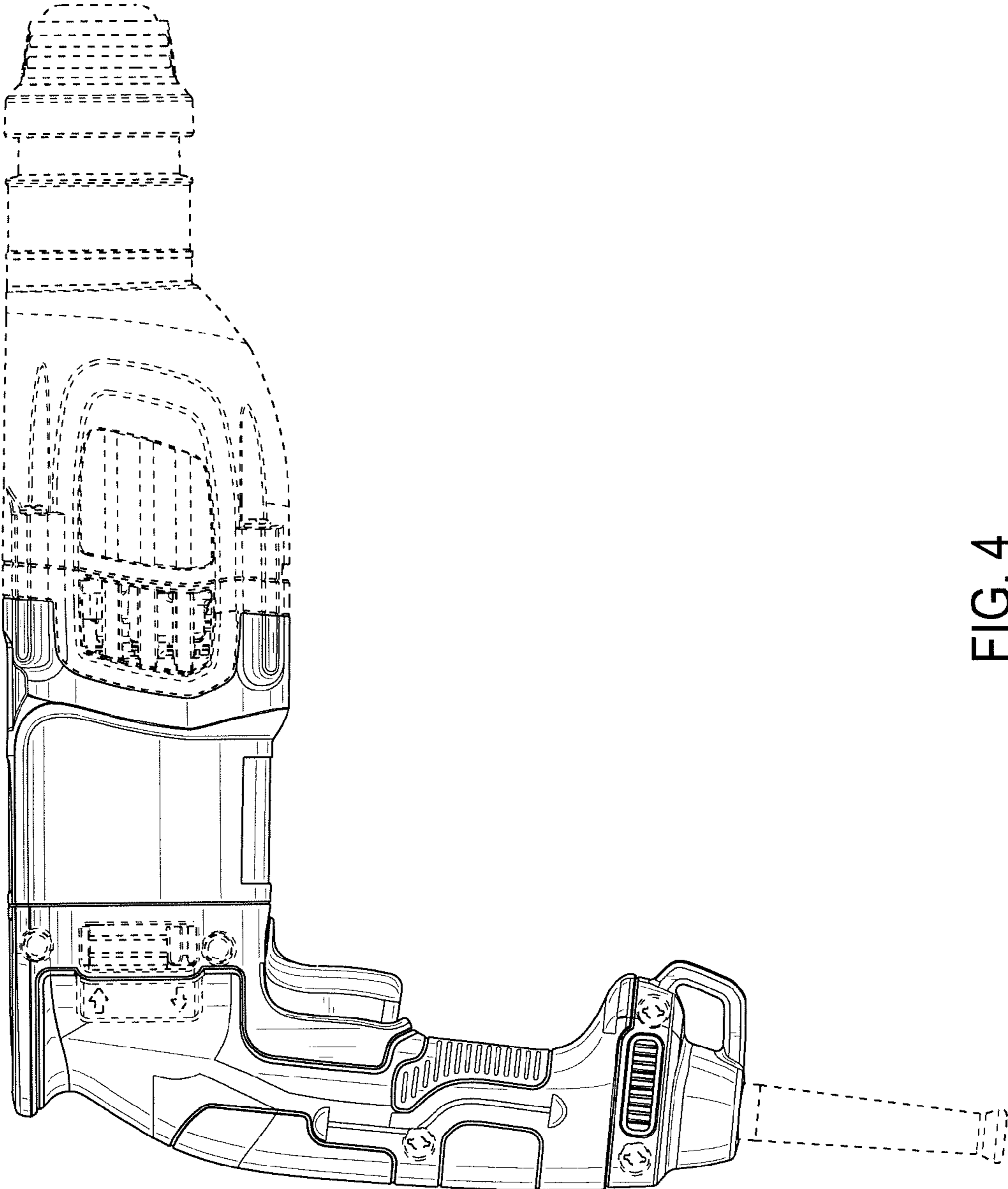


FIG. 4

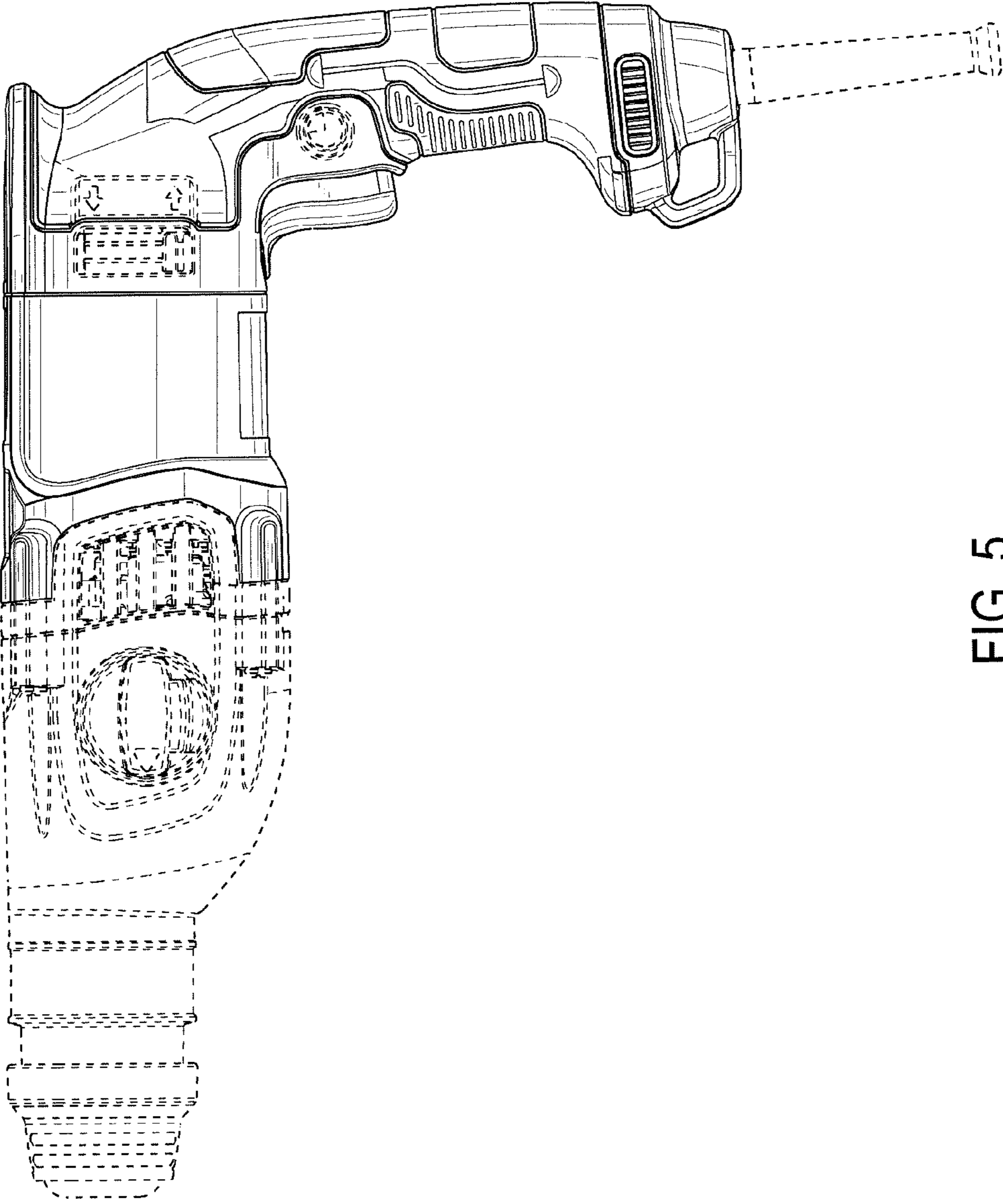


FIG. 5

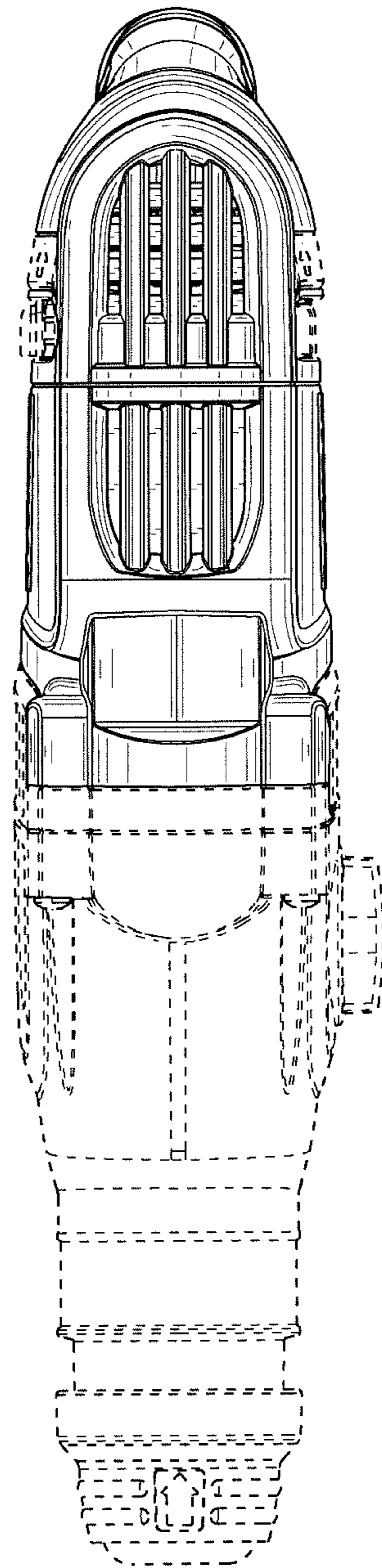


FIG. 6

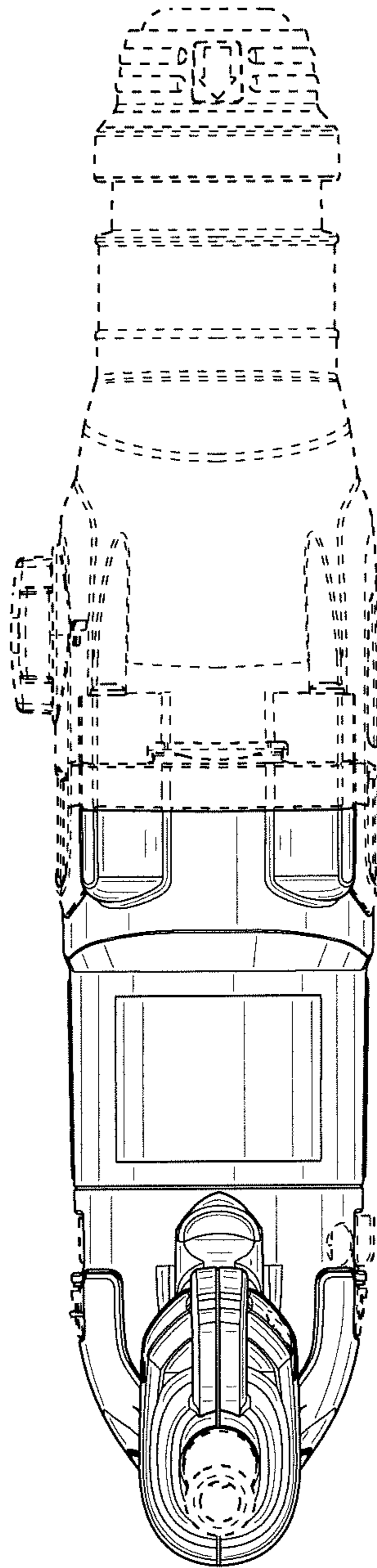


FIG. 7